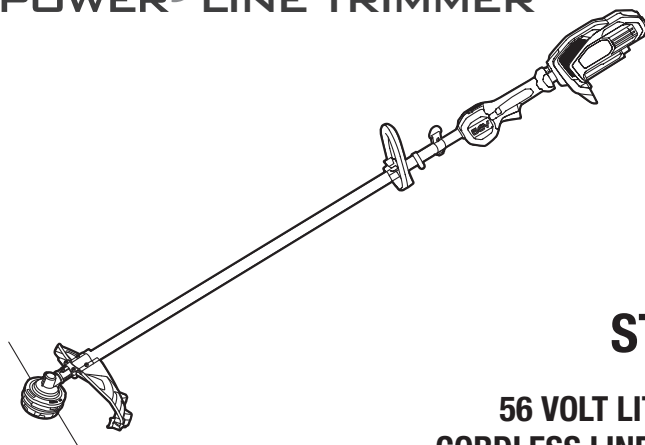


# EGO™

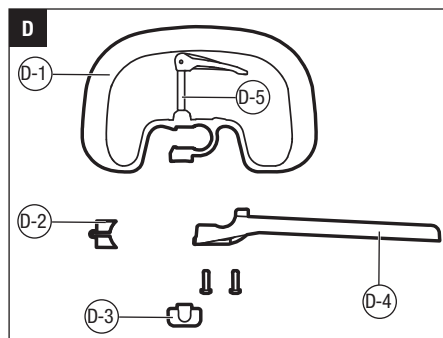
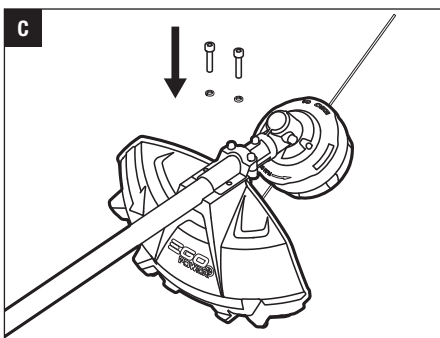
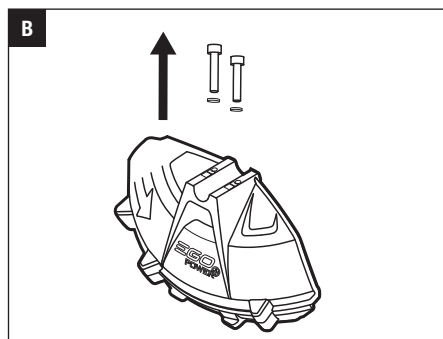
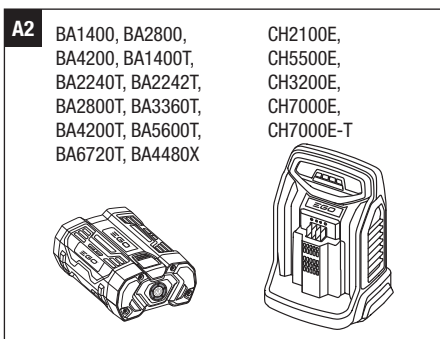
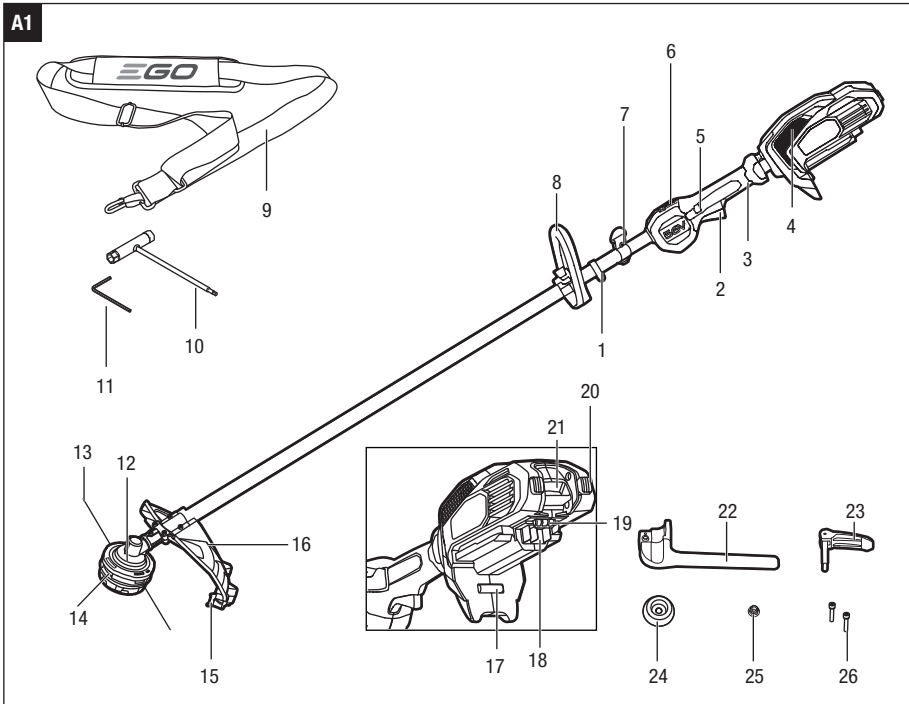
## POWER<sup>+</sup> LINE TRIMMER

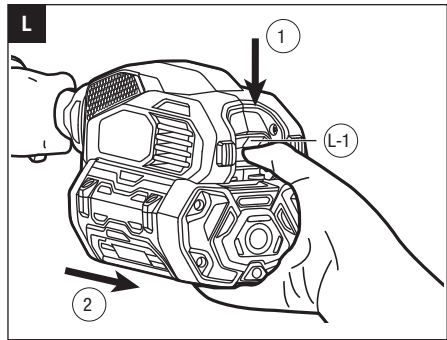
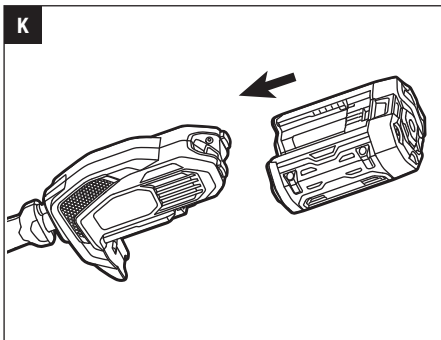
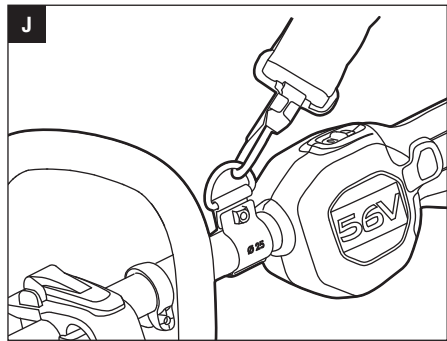
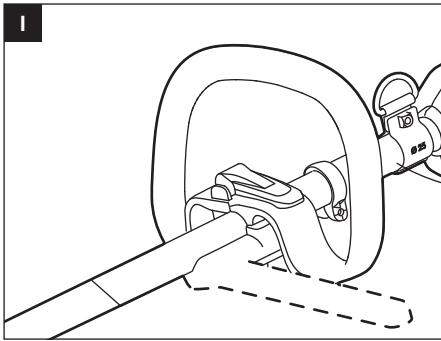
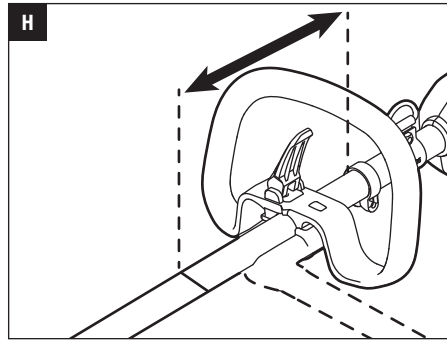
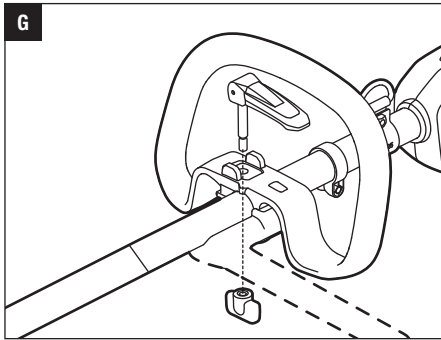
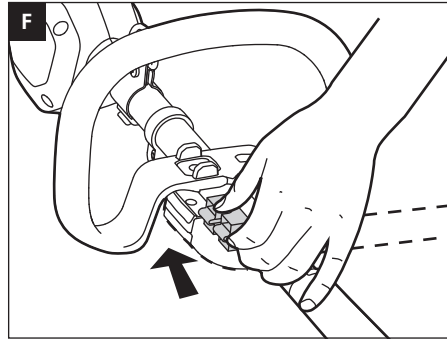
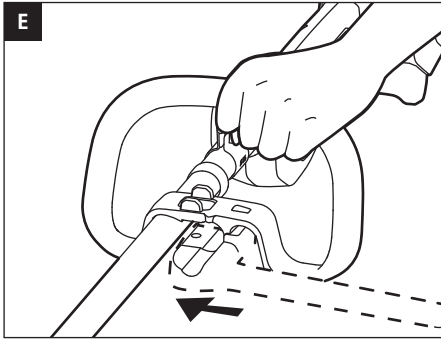


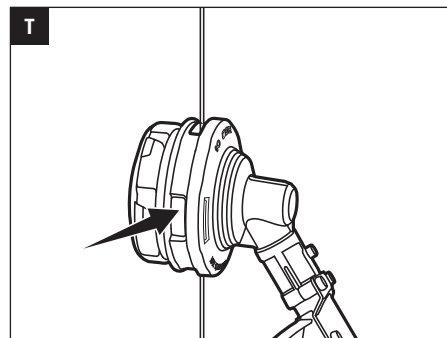
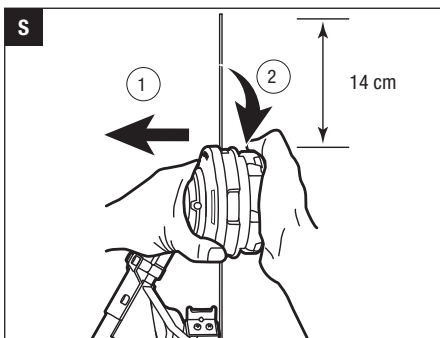
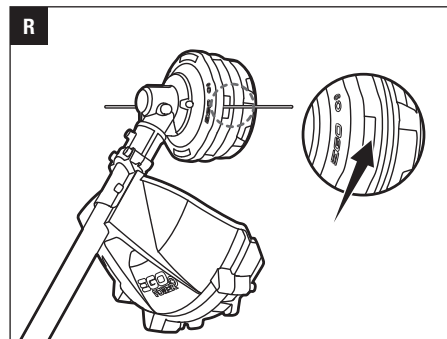
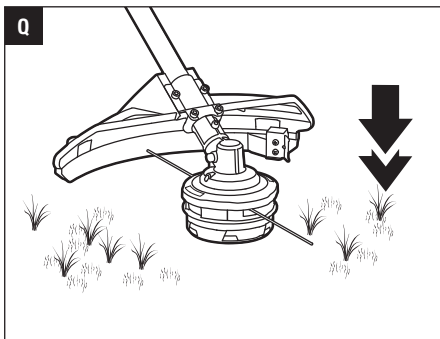
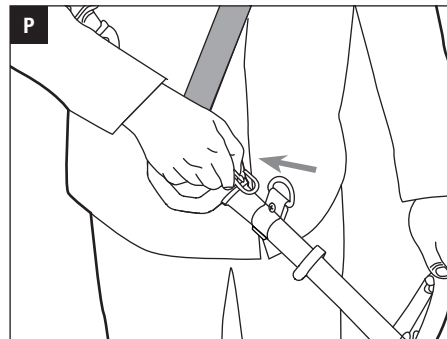
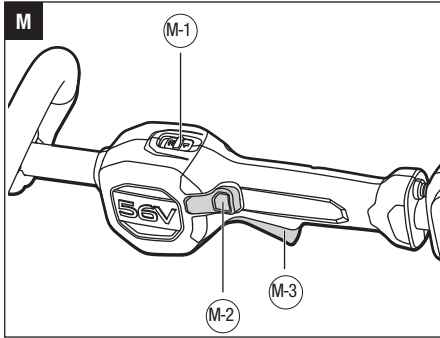
## ST1530E

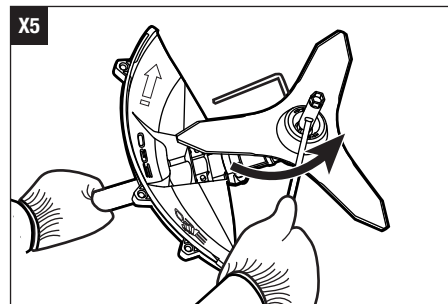
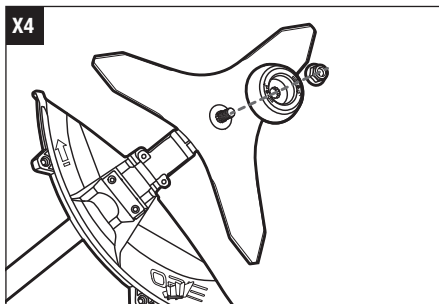
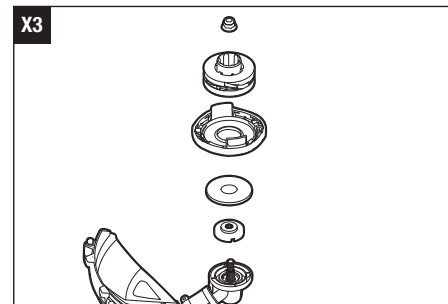
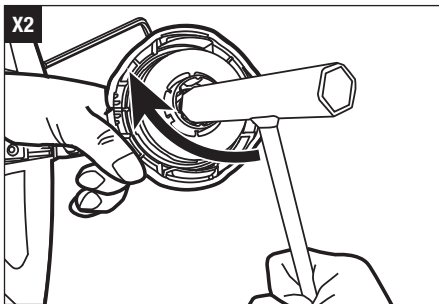
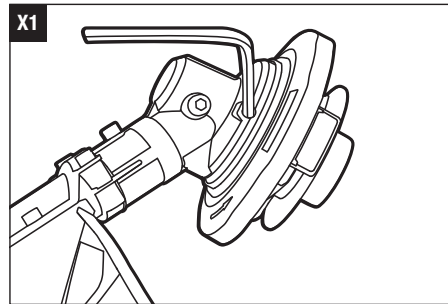
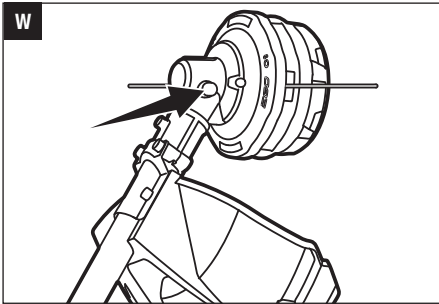
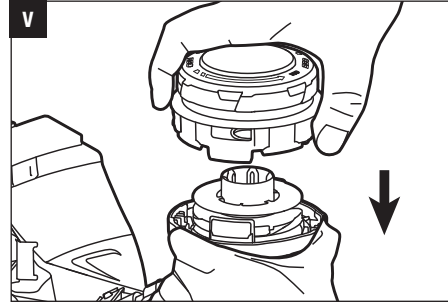
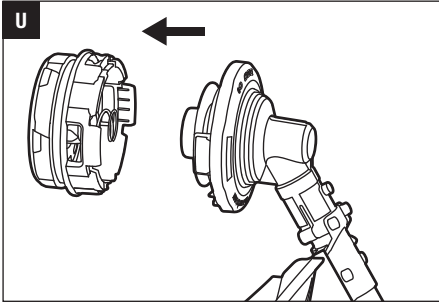
### 56 VOLT LITHIUM-ION CORDLESS LINE TRIMMER

EN	56 volt lithium-ion cordless line trimmer	6	SL	56-voltna litij-ioniska brezžična kosilnica z nitko	142
DE	Kabelloser rasentrimmer mit 56 volt lithium-ionen-akku	14	LT	56 voltų ličio jonų belaidis pjūklas su siūlu	150
FR	Taille-bordure sans fil lithium-ion 56v	22	LV	56 voltu litija jonu bezvadu trimmeris ar auklu	158
ES	Cortabordes inalámbrico con cabezal de hilo y acumulador de ion de litio de 56 voltios	30	GR	Ασύρματο χλοοκοπτικό λιθίου - ιόντων 56 Volt, με μεσινέζα	166
PT	Aparador de fio sem fios de láo e lítio de 56 volts	38	TR	56 volt lityum-iyon kablosuz misinali çim biçme makinesi	174
IT	Decespugliatore a filo a batteria li-ion 56 volt	46	ET	56-voldise liitiumioonakuga akutoitel jõhvtrimmer	182
NL	56 volt lithium-ion accu grastrimmer	54	UK	56-вольтний літій-іонний акумуляторний лісковий тример	190
DK	56 volt lithium-ion akku græstrimmer	62	BG	56 волта литиево-йонен безкабелен кордов тример	198
SE	56 volt lithium-ion-batteri sladdlös grästrimmer	70	HR	Bežični šišač sa žinjom od 56 volti	206
FI	56 voltin litium-ion akkukäyttöinen siimaleikkuri	78	KA	56 ვოლტებიანი ლითონი-იონის აკუმულატორიანი უსადენო ელექტრო სათიბი	214
NO	56 volts ledningsfri kantklipper	86	SR	Bežični trimer sa strunom i litijum-jonskom baterijom od 56 volti	224
RU	Беспроводной тример с леской и литий-ионным аккумулятором 56 В	94	BS	Akumulatorski trimer s reznom niti i litij-ionskom baterijom od 56 V	232
PL	Podkaszarka bezprzewodowa litowo-jonowa 56 voltów	102	HE	גוזם דשא חלוטית ליתיום-56 וולט	255
CZ	56 voltová lithium-iontová akumulátorová strunová sekačka	110	AR	جَزارة الخيط اللاسلكية العاملة ببطارية ليثيوم-أيون 56 فولت	247
SK	56 v lítium-ióňová bezdrôtová strunová kosačka	118			
HU	56 voltos vezeték nélküli lítium-ion motoros láncfűrész	126			
RO	Cositoare cu fir și cu acumulator litiu-ion de 56 volți	134			









EGO Europe GmbH  
Autenbachstraße 11, 71711 Steinheim an der Murr, Germany

Chervon Europe Ltd  
The Anchorage, 34 Bridge Street Reading, RG1 2LU, United Kingdom

EN

## READ ALL INSTRUCTIONS!



**READ OPERATOR'S MANUAL**



Safety Alert



Wear Eye Protection



Do not use metal blades



The distance between the machine and bystanders shall be at least 15 m.



Line diameter-The Diameter of the nylon cutting line



This product is in accordance with applicable EC directives.



Waste electrical products should not be disposed of with household waste. Take to an authorized recycler.

V Voltage

.../min Per Minute

kg Kilogram

## SAFETY SYMBOLS

**⚠ WARNING:** The operation of any power tools can result in foreign objects being thrown into your eyes, which can result in severe eye damage. Before beginning power tool operation, always wear safety goggles or safety glasses with side shields and a full face shield when needed. We recommend a Wide Vision Safety Mask for use over eye-glasses or standard safety glasses with side shields.



Read & Understand Operator's Manual



Wear Ear Protection



Beware of thrown objects



Disconnect battery before maintenance



Cutting width-The Max. cutting width of line trimmer



This product is in accordance with applicable UK legislation.



Guaranteed sound power level. Noise emission to the environment according to the European community's Directive.

$n_0$  No Load Speed-Rotational speed, at no load

⎓ Direct Current

IPX4 Protection from splashing water

## SPECIFICATIONS

	Trimmer head	3-teeth blade	
Voltage	56 V ---	56 V ---	
Recommended Operating Temperature:	0°C-40°C		
Recommended Storage Temperature:	-20°C-70°C		
Optimum Charging Temperature	5°C-40°C		
No-load Speed	5000/6000 min <sup>-1</sup>	5000/6000 min <sup>-1</sup>	
Cutting Line Type	2.4 mm	/	
Cutting Blade	/	ABB1203	
Cutting Width	38 cm	30cm	
Weight (Without battery pack)	4.21 kg	4.45 kg	
Measured sound power level L <sub>WA</sub>	94.6 dB(A) K=1.8 dB(A)	96.5 dB(A) K=1.88 dB(A)	
Sound pressure level at operator's ear L <sub>PA</sub>	81.7 dB(A) K=2.5 dB(A)	76.5 dB(A) K=3 dB(A)	
Guaranteed sound power level L <sub>WA</sub> (according to 2000/14/EC)	96 dB(A)	98 dB(A)	
Vibration a <sub>h</sub>	Front-assist handle	3.2 m/s <sup>2</sup> K=1.5 m/s <sup>2</sup>	2.8 m/s <sup>2</sup> K=1.5 m/s <sup>2</sup>
	Rear handle	2.3 m/s <sup>2</sup> K=1.5 m/s <sup>2</sup>	3.1 m/s <sup>2</sup> K=1.5 m/s <sup>2</sup>

- The declared vibration total value has been measured in accordance with a standard test method and may be used for comparing one tool with another.
- The declared vibration total value may also be used in a preliminary assessment of exposure.

**NOTICE:** The vibration emission during actual use of the power tool can differ from the declared value in which the tool is used; In order to protect the operator, user should wear gloves and ear protectors in the actual conditions of use.

## DESCRIPTION

### KNOW YOUR LINE TRIMMER (Fig. A1)

1. Threshold Ring
2. Trigger
3. Rear Handle

4. Air Inlet
5. Lock-Off Button
6. High/low-Speed Switch
7. Shoulder-Strap Mount Hanger
8. Adjustable Front-Assist Handle
9. Shoulder Strap
10. Multi-Function Wrench
11. Hex Wrench
12. Trimmer Head (Bump Head)
13. Cutting Line
14. Release Tab
15. Line-Cutting Blade
16. Guard
17. Ejection Mechanism
18. Electric Contacts
19. Latch
20. Rubber Pad Protection
21. Battery-Release Button
22. Safety barrier bar (For brush cutter head only)
23. Locking pole for safety barrier bar (For brush cutter head only)
24. Out flange (For brush cutter head only)
25. Nut (For brush cutter head only)
26. Screws(For brush cutter head only)

## PACKING LIST

PART NAME	QUANTITY
Line trimmer	1
Guard	1
Front-assist handle assembly	1
Hex wrench	1
Multi-function wrench	1
Shoulder strap	1
Operator's manual	1
Locking pole	1
Out flange	1
Nut	1
Screw	2

## ASSEMBLY

**⚠ WARNING:** If any parts are damaged or missing, do not operate this product until the parts are replaced. Use of this product with damaged or missing parts could result in serious personal injury.

**⚠ WARNING:** Do not attempt to modify this product or create accessories not recommended for use with this line trimmer. Any such alteration or modification is misuse and could result in a hazardous condition leading to possibly serious personal injury.

**⚠ WARNING:** To prevent accidental starting that could cause serious personal injury, always remove the battery pack from the tool when assembling parts.

**⚠ WARNING:** When the machine is equipped with brush cutter head, the safety barrier bar shall be mounted.

### MOUNTING THE GUARD

**⚠ WARNING:** Always wear gloves when mounting or replacing the guard. Take care of the blade on the guard and protect your hand from cutting.

**⚠ WARNING:** Never operate the tool without the guard firmly in place. The guard must always be on the tool to protect the user! When the guard is fixed, never attempt to remove or adjust the guard, if a replacement is needed, it should be performed by a qualified service technician!

1. Loosen and remove the two screws from the guard (Fig. B).
2. Align the guard mounting holes with the assembly holes and then lock the guard onto the shaft base with the two screws, together with two spring washers (Fig. C).

**NOTICE:** Make sure the guard is fixed according to Fig. B & C, any reverse fixing will cause great danger!

### MOUNTING AND ADJUSTING THE FRONT-ASSIST HANDLE

1. Loosen the locking pole in the front-assist handle and remove the locking pole and wing nut from the front-assist handle (Fig.D).

**NOTICE:** Install the safety barrier bar assembly onto the loop handle with the two screws when the tool is equipped with brush cutter head.

**NOTICE:** There are two kinds of locking pole, the shorter one is for use with the trimmer head. The longer one is for use with the brush cutter head. Be careful to choose the correct locking pole when using the tool.

D-1	Front assist-handle	D-4	Safety barrier bar (Only for brush cutter head)
-----	---------------------	-----	---

D-2	Clamping block	D-5	Locking pole
D-3	Wing nut		

2. Push the front handle onto the shaft at the front of threshold ring. Never place it between the threshold ring and rear handle area (Fig. E).
3. Insert the clamping block into the handle slot (Fig. F).
4. Mount the locking pole, and pre-tighten them with the wing nut. Make sure that the front-assist handle is upwards and points toward the top of the rear handle (Fig. G).
5. Adjust the front-assist handle between the threshold ring and the label to make sure your front arm is straight when operating (Fig. H).
6. Lock the lever of the locking pole. (Fig. I).

**⚠ WARNING:** The tool cannot be used without the front-assist handle securely fixed.

### MOUNTING THE SHOULDER STRAP

For safe and better operation, put the strap over one of your shoulders and across your back.

1. Depress the strap hook to open it and attach it onto the shoulder-strap mount hanger (Fig. J).
2. Adjust the shoulder strap length and placement to a comfortable operating position – hold the trimmer with both hands: one hand on the rear handle and the other hand on the front handle.

**⚠ WARNING:** When an emergency occurs, take the shoulder strap off from your shoulder immediately, no matter what way the strap is on.

You should not use the single-shoulder strap and double-shoulder strap simultaneously.

When wearing the strap, make sure there is no other wear-able interferes with the release and removal of the strap.

## OPERATION

**⚠ WARNING:** Always wear safety goggles or safety glasses with side shield, along with hearing protection. Failure to do so could result in objects being thrown into your eyes and other possible serious injuries.

You may use this product for the purposes listed below:

**Trimming:** use for removing grass and weeds up against walls, fences, trees and borders.

**Cutting:** use for cutting the grass that is difficult to reach using a normal mower.



**NOTICE:** The tool is to be used only for its prescribed purpose. Any other use, for example edge trimming, is deemed to be a case of misuse.

### ATTACHING/DETACHING THE BATTERY PACK

Use only with battery packs and chargers listed in Fig.A2

#### Fully charge before first use

#### To Attach

Align the battery ribs with the mounting slots and press the battery pack down until you hear a “click” (Fig. K).

#### To Detach

Depress the battery-release button and pull the battery pack out as Fig. L shown.

L-1	Battery- Release button
-----	-------------------------

### HOLDING THE LINE TRIMMER

For safe and better operation, put on the shoulder strap across the shoulder as Fig. N. Adjust the shoulder strap in a comfortable operating position. Hold the line trimmer with both hands: One hand on the rear handle and the other hand on the front-assist handle.

**NOTICE:** The trimmer head is parallel to the ground at a proper cutting distance without the operator bending over (Fig. N).

There are two ways to release the strap. Take it away from your shoulder directly (Fig. O) or press the hook of the strap and take it apart from the shoulder-strap mount hanger fixed on the shaft (Fig. P).

**⚠ WARNING:** The shoulder strap is also a quick release mechanism in a hazardous situation. When an emergency occurs, take it off from your shoulder immediately, no matter what way the strap is in.

### STARTING/STOPPING THE LINE TRIMMER (Fig. M)

#### To Start

Press down the lock-off lever then depress the trigger. Different pressure on the trigger results in variable rotating speed of the cutting line. More pressure, higher speed.

#### To Stop

Release the trigger.

**NOTICE:** The motor runs only when the lock-off button and trigger are both pressed.

### Speed Adjustment Function (Fig. M)

The line trimmer has two speeds. Position “1” is for low

speed while Position “2” for high speed.

M-1	High/low-Speed Switch
M-2	Lock-Off Button
M-3	Trigger

### USING THE LINE TRIMMER

Clear the area to be cut before each use. Remove all objects, such as rocks, broken glass, nails, wire, or line, that can be thrown or become entangled in the cutting attachment. Clear the area of children, bystanders, and pets. At a minimum, keep all children, bystanders and pets at least 15m away; there still may be risk to bystanders from thrown objects. Bystanders should be encouraged to wear eye protection. If you are approached, stop the motor and cutting attachment immediately.

#### Before each use, check for damage/worn parts

Check the bump head, guard and front-assist handle and replace the parts that are cracked, warped, bent, or damaged in any way.

The line-cutting blade on the edge of the guard can dull over time. It is recommended that you periodically sharpen with a file or replace it with a new blade.

**⚠ WARNING:** Always wear gloves when mounting or replacing the guard or when sharpening or replacing the line-cutting blade. Note the location of the blade on the guard and protect your hands from injury.

#### Check for blockage of the trimmer head

- To prevent blockage, keep the trimmer head clean. Remove grass clippings, leaves, dirt and any other accumulated debris before and after each use.
- When blockage happens, stop the line trimmer and remove the battery, then remove any grass that may have wrapped itself around the motor shaft or trimmer head.

#### After each use, clean the trimmer.

### ADJUSTING CUTTING LINE LENGTH

The trimmer head allows the operator to release more cutting line without stopping the motor. As line becomes frayed or worn, additional line can be released by lightly tapping the trimmer head on the ground while operating the trimmer (Fig. Q).

**NOTICE:** Line release will become more difficult as the cutting line becomes shorter.

**⚠ WARNING:** Do not remove or alter the line cutting blade assembly. Excessive line length will cause the motor to overheat and may result in serious personal injury.

## LINE REPLACEMENT

**NOTICE:** Always use the recommended nylon cutting line with a diameter that does not exceed 2.4 mm. Using line other than that specified may cause the line trimmer to overheat or become damaged.

**⚠ WARNING:** Never use metal-reinforced line, wire, or rope, etc. These can break off and become dangerous projectiles.

1. Remove the battery pack.
2. Remove the remaining cutting line, if necessary.
3. Cut 4m long cutting line, Insert the line into the mounting hole inside the eyelet (Fig. R). Push and pull the line from the other side until equal amounts of line appear on both sides of the spool.
4. Press, while rotating the lower cover assembly in the arrow direction, to wind the line onto the spool until approximately 14cm of line is showing on each side (Fig. S).
5. Push the lower cover assembly down while pulling on the lines to manually advance the line and to check for proper assembly of the trimmer head.

When the cutting line breaks from the line outlet or the cutting line is not released when the trimmer head is tapped, follow the steps below:

1. Press the release tabs on the upper cover and remove the lower cover assembly by pulling it straight out (Fig. T & U).
2. Remove the cutting line from the spool.
3. With one hand holding the lower cover assembly, use the other hand to grasp the lower cover assembly and align the tabs on the upper cover with the holes in the lower cover assembly (Fig. V); Use your palm to press the lower cover assembly until the tabs lock with the upper cover.
4. Follow the instructions in "LINE REPLACEMENT" to reload the cutting line.

## 3-TEETH BLADE REPLACEMENT

**NOTICE:** To protect against injury, you have to wear gloves prior to any operation with the 3-tooth blade.

1. Remove the lower cover assembly as Fig. T & U
2. Insert the stabilizer then use an impact socket wrench to loosen the nut as Fig. X1 & X2.
3. Remove all parts except inner flange and nut (Fig. X3), mount the blade onto the motor shaft as fig. X4.
4. Tighten the blade as Fig. X5.

**⚠ WARNING:** When cutting young stands or other woody materials up to 2cm in diameter, use the left side of the blade to avoid blade thrust situations. Do not attempt to cut woody material with a larger diameter, since the blade may catch or jerk the brush cutter forward. This may cause damage to the blade or the brush cutter or loss of control of the brush cutter, resulting personal injury.

**NOTICE:** Re-sharpen the blade regularly (when it has dulled noticeably) and have it balanced if necessary (performed by a qualified service technician).

## MAINTENANCE

**⚠ WARNING:** When servicing, use only identical replacement parts. Inspect and maintain the machine regularly. To ensure safety and reliability, all repairs should be performed by a qualified service technician.

**⚠ WARNING:** To prevent serious personal injury, remove the battery pack from the tool before servicing, cleaning, changing add-on attachments or removing material from the unit.

**⚠ CAUTION:** Obstructions in the vents will prevent the air from flowing into the motor housing and result in overheating or damaged of the motor.

## CLEANING THE UNIT

- Clean the unit using a damp cloth with a mild detergent. Never let any liquid get inside the tool; never immerse any part of the tool into a liquid.
- Do not use any strong detergents on the plastic housing or the handle. They can be damaged by certain aromatic oils, such as pine and lemon, and by solvents such as kerosene. Moisture can also cause a shock hazard. Wipe off any moisture with a soft dry cloth.
- Use a small brush or the air discharge of a small vacuum cleaner brush to clean the air vents on the rear housing.
- Keep air vents in the motor housing from debris at all times.

## TRANSMISSION GEARS LUBRICATION

The transmission gears in the gear case need be lubricated periodically with gear grease. Check the gear case grease level about every 50 hours of operation by removing the sealing screw on the side of the case.

If no grease can be seen on the flanks of the gear, follow the steps below to fill with gear grease up to 3/4 capacity. Do not completely fill the transmission gears.

1. Hold the line trimmer on its side so that the sealing screw is facing upwards (Fig. W).
2. Use the multi-function wrench provided to loosen and remove the sealing screw.
3. Use a grease syringe (not included) to inject some grease into the screw hole; do not exceed 3/4 capacity.
4. Tighten the sealing screw after injection.

#### **STORING THE UNIT**

- Remove the battery pack from the line trimmer when it is not in use.
- Clean the tool thoroughly before storing it.
- Store the unit in a dry, well-ventilated area, locked-up or up high, out of the reach of children. Do not store the unit on or adjacent to fertilisers, petrol, or other chemicals.
- Use of the blade sheath onto the 3-tooth blade during transport and storage.

#### **Protecting the environment**



Do not dispose of electrical equipment, used battery and charger into household waste! Take this product to an authorized recycler and make it available for separate collection. Electric tools must be returned to an environmentally compatible recycling facility.



## EN TROUBLESHOOTING

PROBLEM	CAUSE	SOLUTION
Line trimmer fails to start.	<ul style="list-style-type: none"><li>■ The battery pack is not attached to the trimmer.</li><li>■ No electrical contact between the trimmer and battery.</li><li>■ The battery pack is depleted.</li><li>■ The lock-off button and trigger are not depressed simultaneously.</li></ul>	<ul style="list-style-type: none"><li>■ Attach the battery pack to the trimmer.</li><li>■ Remove battery, check contacts and reinstall the battery pack.</li><li>■ Charge the battery pack.</li><li>■ Press down the lock-off button and hold it, then depress the trigger to turn on the line trimmer.</li></ul>
Line trimmer stops while cutting.	<ul style="list-style-type: none"><li>■ The guard is not mounted on the trimmer, resulting in an overly long cutting line and motor overload.</li><li>■ Heavy cutting line is used.</li><li>■ The motor shaft or trimmer head is bound with grass.</li><li>■ The motor is overloaded.</li><li>■ The battery pack or line trimmer is too hot.</li><li>■ The battery pack is disconnected from the tool.</li><li>■ The battery pack is depleted.</li></ul>	<ul style="list-style-type: none"><li>■ Remove the battery pack and mount the guard on the trimmer.</li><li>■ Use recommended nylon cutting line with diameter no more than 2.4 mm.</li><li>■ Stop the trimmer, remove the battery, and remove the grass from the motor shaft and trimmer head.</li><li>■ Remove the trimmer head from the grass. The motor will recover to work as soon as the load is removed. When cutting, move the trimmer head in and out of the grass to be cut and remove no more than 20 cm of length in a single cut.</li><li>■ Allow the battery pack or trimmer to cool until the temperature drops below 67°C.</li><li>■ Re-install the battery pack.</li><li>■ Charge the battery pack.</li></ul>

PROBLEM	CAUSE	SOLUTION
Trimmer head will not advance line.	<ul style="list-style-type: none"> <li>■ The motor shaft or trimmer head is bound with grass.</li> <li>■ There is not enough line on the spool.</li> <li>■ The trimmer head is dirty.</li> <li>■ The line is tangled on the spool.</li> <li>■ The line is too short.</li> </ul>	<ul style="list-style-type: none"> <li>■ Stop the trimmer, remove the battery, and clean the motor shaft and trimmer head.</li> <li>■ Remove the battery and replace the cutting line; follow the section “LINE REPLACEMENT” in this manual.</li> <li>■ Remove the battery and clean the trimmer head.</li> <li>■ Remove the battery, remove the line from the trimmer head and rewind; follow the section “RELOAD THE CUTTING LINE” in this manual.</li> <li>■ Remove the battery and pull the lines manually while alternately pressing down and releasing the trimmer head.</li> </ul>
Grass wraps around trimmer head and motor housing.	<ul style="list-style-type: none"> <li>■ Cutting tall grass at ground level.</li> </ul>	<ul style="list-style-type: none"> <li>■ Cut tall grass from the top down, removing no more than 20 cm in each pass to prevent wrapping.</li> </ul>
Cracks on the trimmer head or the lower cover assembly comes loose from upper cover.	<ul style="list-style-type: none"> <li>■ The trimmer head is worn out.</li> </ul>	<ul style="list-style-type: none"> <li>■ Replace the trimmer head immediately performed by a qualified service technician.</li> </ul>

## WARRANTY

### EGO WARRANTY POLICY

Please visit the website [egopowerplus.eu](http://egopowerplus.eu) for full terms and conditions of the EGO Warranty policy.

DE



## LESEN SIE DIE BETRIEBSANLEITUNG



Sicherheitswarnung



Augenschutz tragen



Keine Metallmesser verwenden



Zwischen dem Gerät und Passanten muss ein Abstand von mindestens 15 m eingehalten werden.



Fadendurchmesser - Der Durchmesser des Nylon-Mähfadens



Dieses Produkt erfüllt die einschlägigen CE-Richtlinien.



Elektrische Altgeräte dürfen nicht im Hausmüll entsorgt werden. Geben Sie das Gerät bei einer zugelassenen Recycling-Annahmestelle ab.

V Spannung

.../min pro Minute

kg Kilogramm

## WARNSYMBOLE

**⚠️ WARNUNG:** Beim Betrieb von Elektrowerkzeugen besteht die Gefahr, dass Fremdkörper in Ihre Augen geschleudert werden und Sie dadurch schwerwiegende Augenschäden davontragen. Tragen Sie immer eine Schutzbrille, wenn möglich mit Seitenschutz, oder, falls nötig, einen vollen Gesichtsschutz, bevor Sie Arbeiten mit dem Elektrowerkzeug verrichten. Wir empfehlen Ihnen, einen Gesichtsschutz über Ihrer eigenen Brille oder eine herkömmliche Schutzbrille mit Seitenschutz zu tragen.



Um das Verletzungsrisiko zu verringern, muss der Benutzer die Bedienungsanleitung lesen.



Gehörschutz tragen



Vorsicht vor herausgeschleuderten Gegenständen



Akku vor der Wartung abnehmen



Schnittbreite - Die maximale Schnittbreite des Rasentrimmers



Dieses Produkt entspricht den geltenden Vorschriften des Vereinigten Königreichs.



Garantierter Schalleistungspegel. Geräuschemission an die Umgebung gemäß Richtlinie der Europäischen Gemeinschaft

$n_0$  Leerlaufdrehzahl - Die Drehzahl des Motors im Leerlauf

⚡ Gleichstrom

IPX4 Schutz vor Spritzwasser

## TECHNISCHE DATEN

	Mähkopf	3-Flügel-Messer
Spannung	56 V $\text{---}$	56 V $\text{---}$
Empfohlene Betriebstemperatur:	0°C-40°C	
Empfohlene Lager-temperatur:	-20°C-70°C	
Optimale Ladetemperatur	5°C-40°C	
Leerlaufdrehzahl	5000/6000 $\text{min}^{-1}$	5000/6000 $\text{min}^{-1}$
Trennfaden	2,4 mm	/
Messer	/	ABB1203
Schnittbreite	38 cm	30cm
Gewicht (ohne Akkusatz)	4,21 kg	4,45 kg
Gemessener Schallleistungspegel $L_{\text{WA}}$	94,6 dB(A) K=1,8 dB(A)	96,5 dB(A) K=1,88 dB(A)
Schalldruckpegel am Ohr des Bedieners $L_{\text{PA}}$	81,7 dB(A) K=2,5 dB(A)	76,5 dB(A) K=3 dB(A)
Garantierter Schallleistungspegel $L_{\text{WA}}$ (gemäß 2000/14/EG)	96 dB(A)	98 dB(A)
Vibration $a_h$	Vorderer Haltegriff	3,2 $\text{m/s}^2$ K=1,5 $\text{m/s}^2$
	Hinterer Griff	2,3 $\text{m/s}^2$ K=1,5 $\text{m/s}^2$

- Der angegebene Vibrationsgesamtwert wurde nach einem Standard-Prüfverfahren gemessen und kann zum Vergleich mit einem anderen Werkzeug herangezogen werden.
- Der angegebene Vibrationsgesamtwert kann auch zur vorläufigen Risikobewertung herangezogen werden.

**HINWEIS:** Die beim Einsatz des Elektrowerkzeugs entstehenden Istvibrationen können von dem angegebenen Wert abweichen. Zum Schutz des Benutzers sollten Handschuhe und ein Gehörschutz während des Geräteinsatzes getragen werden.

## BESCHREIBUNG

### AUFBAU (Abb. A1)

- Anschlagring
- Auslöser
- Hinterer Griff

- Lufteinlass
- Entriegelungsschalter
- Drehzahlsschalter Hoch/Niedrig
- Schultergurt-Halterring
- Verstellbarer vorderer Haltegriff
- Schultergurt
- Multifunktionsschlüssel
- Sechskantschlüssel
- Mähkopf (Fadenkopf)
- Mähfaden
- Freigabelasche
- Fadenmesser
- Fadenschutz
- Auswurfmechanismus
- Elektrische Kontakte
- Verschluss
- Gummischutzpolster
- Akku-Freigabeknopf
- Schneidschutz (nur für Freischneideaufsatz)
- Verriegelungsstift für Schneidschutz (nur für Freischneideaufsatz)
- Äußerer Flansch (nur für Freischneideaufsatz)
- Mutter (nur für Freischneideaufsatz)
- Schrauben (nur für Freischneideaufsatz)

## PACKLISTE

BEZEICHNUNG DES TEILS	MENGE
Rasentrimmer	1
Fadenschutz	1
Vorderer Haltegriff	1
Sechskantschlüssel	1
Multifunktionsschlüssel	1
Schultergurt	1
Bedienungsanleitung	1
Verriegelungsstift	1
Äußerer Flansch	1
Mutter	1
Schraube	2

## MONTAGE

**⚠️ WARNUNG:** Wenn irgendwelche Teile beschädigt sind oder fehlen, verwenden Sie das Produkt nicht, bis alle Teile ersetzt worden sind. Die Verwendung dieses Produkts mit beschädigten oder fehlenden Teilen kann zu schweren Verletzungen führen.

**⚠️ WARNUNG:** Versuchen Sie nicht, dieses Produkt zu verändern oder Zubehörteile zu verwenden, die für den Einsatz des Rasentrimmers nicht empfohlen werden. Jegliche Änderung oder falsche Anwendung dieses Geräts gilt als Zweckentfremdung und kann sehr riskant sein und zu möglichen schweren Körperverletzungen führen.

**⚠️ WARNUNG:** Um einen unbeabsichtigten Anlauf und dadurch hervorgerufene schwere Verletzungen zu verhindern, muss der Akku beim Montieren von Teilen immer zuerst vom Gerät abgenommen werden.

**⚠️ WARNUNG:** Wenn das Gerät mit einem Freischneidaufsatz ausgestattet ist, muss der Schneidschutz montiert werden.

### MONTIEREN DES FADENSCHUTZES

**⚠️ WARNUNG:** Tragen Sie beim Anbringen oder Auswechseln des Schneidschutzes immer Handschuhe. Achten Sie auf das Messer am Schneidschutz und schützen Sie Ihre Hände vor Schnitten.

**⚠️ WARNUNG:** Setzen Sie das Werkzeug nur in Betrieb, wenn der Schneidschutz fest angebracht ist. Der Schneidschutz muss zum Schutz des Benutzers immer am Gerät befestigt sein! Wenn der Schneidschutz montiert ist, darf er weder entfernt noch justiert werden. Falls dieser ersetzt werden muss, wenden Sie sich an eine qualifizierte Werkstatt!

1. Montieren Sie die beiden Schrauben vom Fadenschutz ab (Abb. B).
2. Lassen Sie die Montagebohrungen am Fadenschutz mit den Haltelöchern fluchten. Schrauben Sie den Fadenschutz anschließend mit den beiden Schrauben und Federscheiben am Schaftende an (Abb. C).

**HINWEIS:** Vergewissern Sie sich, dass der Schutz wie in Abb. B und C befestigt ist. Eine falsche Montage ist sehr gefährlich!

### MONTIEREN DES VORDEREN HALTEGRIFFS

1. Lösen Sie den Arretierungsstift vom vorderen Haltegriff und entfernen Sie den Verriegelungsstift und die Flügelmutter vom vorderen Haltegriff (Abb. D).

**HINWEIS:** Bringen Sie den Schneidschutz mit den beiden Schrauben am Bügelgriff an, wenn der Freischneidaufsatz montiert ist.

**HINWEIS:** Es gibt zwei Verriegelungsstift-Ausführungen. Die kürzere ist für den Trimmerkopf. Die längere ist für den Freischneidaufsatz. Achten Sie beim Gebrauch des

Geräts auf den richtigen Verriegelungsstift.

D-1	Vorderer Haltegriff	D-4	Schneidschutz (nur für Freischneidaufsatz)
D-2	Klemmvorrichtung	D-5	Verriegelungsstift
D-3	Flügelmutter		

2. Schieben Sie den vorderen Griff bis vor den Anschlagring auf die Welle. Bringen Sie ihn nie zwischen dem Anschlagring und dem hinteren Griffbereich an (Abb. E).
3. Schieben Sie das Klemmstück in die Aufnahme am Griff (Abb. F).
4. Stecken Sie den Arretierungsstift ein und spannen Sie ihn mit der Flügelmutter vor. Vergewissern Sie sich, dass der vordere Haltegriff nach oben und zur Oberseite des hinteren Griffs zeigt (Abb. G).
5. Verschieben Sie den vorderen Haltegriff so zwischen den Anschlagring und das Etikett, dass Ihr Arm beim Arbeiten gestreckt ist (Abb. H).
6. Schließen Sie den Hebel am Verriegelungsstift. (Abb. I).

**⚠️ WARNUNG:** Ohne fest montierten vorderen Haltegriff darf das Werkzeug nicht benutzt werden.

### BEFESTIGEN DES SCHULTERGURTS

Für einen sicheren und besseren Betrieb den Gurt über eine Ihrer Schultern und über Ihren Rücken legen.

1. Drücken Sie auf den Gurthaken, um ihn zu öffnen, und befestigen Sie ihn auf dem Schultergurthalter (Abb. J).
2. Die Länge und Position des Schultergurts anpassen, sodass der Gurt während des Betriebs bequem sitzt- halten Sie den Trimmer mit beiden Händen fest: eine Hand am hinteren Griff und die andere Hand am vorderen Griff.

**⚠️ WARNUNG:** Nehmen Sie ihn bei einem Notfall sofort von Ihrer Schulter, ganz gleich in welcher Weise der Schultergurt umgelegt ist.

Den einfachen Schultergurt und den doppelten Schultergurt sollten Sie nicht gleichzeitig verwenden.

Beim Tragen des Gurts sollte kein anderes tragbares Zubehör ein Lösen und Abnehmen des Gurts beeinträchtigen.



## BEDIENUNG

**⚠️ WARNUNG:** Tragen Sie immer eine Schutz- oder Sicherheitsbrille mit Seitenschutz und einen Gehörschutz. Andernfalls könnte etwas in Ihre Augen geschleudert werden und schwere Verletzungen verursachen.

Sie können dieses Produkt für die unten aufgeführten Zwecke einsetzen:

**Trimmen:** Entfernen von Gras und Unkraut an Wänden, Zäunen, Bäumen und Rändern.

**Schneiden:** Zum Schneiden von Rasen, der mit einem normalen Rasenmäher schwer zugänglich ist.

**HINWEIS:** Das Gerät darf nur für den bestimmungsgemäßen Zweck verwendet werden. Jede andere Verwendung, zum Beispiel Kantentrimmen, gilt als Zweckentfremdung.

### ANBRINGEN/ABNEHMEN DES AKKUS

Nur mit akkus und ladegeräten verwenden, die in abb. A2 aufgeführt sind.

**Laden Sie den Akku vor dem ersten Gebrauch voll auf.**

#### Anbringen

Lassen Sie die Rippen am Akkugehäuse mit den Öffnungen am Gerät fluchten und schieben Sie den Akku bis zum hörbaren Einrasten in das Gerät (Abb. K).

#### Abnehmen

Drücken Sie die Batterieentriegelung und ziehen Sie den Akku heraus (siehe Abb. L).

L-1	Akku-Freigabeknopf
-----	--------------------

### HALTEN DES RASENTRIMMERS

Legen Sie zum sicheren und einfacheren Arbeiten den Schultergurt an, wie in Abb. N zu sehen. Passen Sie den Schultergurt so an, dass er beim Arbeiten bequem sitzt. Halten Sie den Rasentrimmer mit beiden Händen fest: Eine Hand am hinteren Griff und die andere am vorderen Haltegriff.

**HINWEIS:** Wenn sich der Mähkopf parallel zum Boden und im richtigen Schneideabstand befindet, soll der Bediener aufrecht stehen (Abb. N).

Es gibt zwei Möglichkeiten den Schultergurt zu lösen. Ziehen Sie den Gurt entweder direkt über den Kopf (Abb. O) oder klinken Sie den Gurthaken aus dem am Schaft

befestigten Haltering aus (Abb. P).

**⚠️ WARNUNG:** Der Schultergurt ist zudem ein Schnelllösemechanismus, der in gefährlichen Situationen auslöst. Nehmen Sie ihn bei einem Notfall sofort von Ihrer Schulter, ganz gleich in welcher Weise der Schultergurt umgelegt ist.

DE

### START/STOPP DES RASENTRIMMERS (Abb. M)

#### Starten

Drücken Sie den Entriegelungshebel und dann den Auslöser. Durch Ändern des Drucks auf den Auslöser wird die Drehzahl des Mähfadens geregelt. Je mehr Druck, desto höher die Drehzahl.

#### Stoppen

Lassen Sie den Auslöser los.

**HINWEIS:** Der Motor läuft nur, wenn der Entriegelungsschalter und der Auslöser gleichzeitig gedrückt werden.

### Drehzahlverstellung (Abb. M)

Der Rasentrimmer hat zwei Drehzahlen. Position „1“ entspricht der niedrigen Drehzahl und Position „2“ der hohen Drehzahl.

M-1	Drehzahlsschalter Hoch/Niedrig
M-2	Entriegelungsschalter
M-3	Auslöser

### VERWENDUNG DES RASENTRIMMERS

Räumen Sie den Arbeitsbereich vor jedem Einsatz auf. Entfernen Sie alle Gegenstände, wie z.B. Steine, zerbrochenes Glas, Nägel, Drähte oder Fäden, die vom Gerät umhergeschleudert werden oder sich in der Schneidvorrichtung verfangen könnten. Halten Sie Kinder, Passanten und Haustiere von dem Bereich fern. Halten Sie einen Mindestabstand von 15 m zu Kindern, Passanten und Haustieren ein; auch dann besteht noch Gefahr durch umhergeschleuderte Gegenstände. Schaulustige sollten gebeten werden, Schutzbrillen aufzusetzen. Wenn jemand auf Sie zukommt, stellen Sie den Motor und das Schneidwerkzeug sofort ab.

### Prüfen Sie vor jedem Gebrauch auf Schäden/abgenutzte Teile

Prüfen Sie den Fadenkopf, den Fadenschutz und den vorderen Haltegriff und ersetzen Sie gerissene, verzogene, verbogene oder anders beschädigte Teile.

Das Fadenmesser am Fadenschutzrand wird im Laufe der Zeit stumpf. Es sollte daher regelmäßig mit einer Feile na-

chgeschliffen oder durch ein neues Messer ersetzt werden.

**⚠️ WARNUNG:** Tragen Sie immer Handschuhe, wenn Sie den Fadenschutz montieren oder auswechseln oder das Mähfadennmesser nachschleifen bzw. auswechseln. Achten Sie auf das Messer am Fadenschutz und passen Sie auf, dass Sie sich nicht verletzen.

### Mähkopf auf Blockaden prüfen

- Zur Vermeidung von Blockaden muss der Mähkopf immer sauber gehalten werden. Entfernen Sie vor und nach jeder Benutzung Grasschnitt, Blätter, Schmutz und andere angesammelte Abfälle.
- Ist der Mähkopf blockiert, schalten Sie den Rasentrimmer ab und beseitigen Sie den Rasen, der sich vielleicht um die Motorwelle oder den Mähkopf gewickelt hat.

### Reinigen Sie den Rasentrimmer nach jedem Gebrauch.

### EINSTELLEN DER FADENLÄNGE

Der Mähkopf ermöglicht dem Benutzer, den Mähfaden zu verlängern, ohne den Motor anzuhalten. Wenn der Faden ausgefranst oder abgenutzt ist, kann mehr Faden freigegeben werden, indem Sie mit dem Mähkopf beim Trimmen leicht auf den Boden klopfen (Abb. Q).

**HINWEIS:** Das Nachführen des Fadens wird umso schwerer, je kürzer der Faden wird.

**⚠️ WARNUNG:** Der Faden- und Messer-Mechanismus darf nicht verändert oder beseitigt werden. Zu viel Fadenlänge führt zu einer Überhitzung des Motors und kann schwere Verletzungen nach sich ziehen.

### AUSWECHSELN DES FADENS

**HINWEIS:** Verwenden Sie immer den empfohlenen Nylon-Mähfaden mit höchstens 2,4 mm Durchmesser. Bei Verwendung eines anderen Fadens kann der Trimmer überhitzen oder beschädigt werden.

**⚠️ WARNUNG:** Verwenden Sie niemals mit Draht oder Metall verstärkte Fäden o. ä. Diese können abbrechen und zu gefährlichen Geschossen werden.

1. Entfernen Sie den Akkusatz.
2. Entfernen Sie die Mähfadenreste soweit zutreffend.
3. Schneiden Sie 4 m Mähfaden ab. Stecken Sie den Faden in das Loch in der Öse (Abb. R). Schieben Sie den Faden durch und ziehen Sie auf der anderen Seite heraus, bis die Fadenstücke auf beiden Seiten der Spule gleich lang sind.

4. Drücken Sie auf die untere Spulenabdeckungseinheit und wickeln Sie durch Drehen in Pfeilrichtung den Faden auf die Spule, bis auf beiden Seiten etwa 14 cm Faden überstehen (Abb. S).
5. Schieben Sie die untere Spulenabdeckungseinheit nach unten und ziehen Sie dabei an den Fäden, um den Faden von Hand vorwärts zu bewegen und die richtige Montage des Mähkopfs zu überprüfen.

Wenn der Mähfaden vom Fadenauslass abreißt oder wenn der Mähfaden beim Klopfen des Mähkopfs nicht freigegeben wird, ist wie folgt vorzugehen:

1. Drücken Sie die Freigabelaschen an der oberen Spulenabdeckung und entfernen Sie die untere Spulenabdeckungseinheit, indem Sie diese gerade herausziehen (Abb. T & U).
2. Entfernen Sie den Mähfaden aus der Spule.
3. Halten Sie mit einer Hand die untere Spulenabdeckung, greifen Sie mit der anderen Hand die untere Spulenabdeckungseinheit und richten Sie die Laschen an der oberen Spulenabdeckung an den Löchern der unteren Spulenabdeckungseinheit (Abb. V) aus. Drücken Sie die untere Spulenabdeckungseinheit mit Ihrer Handfläche nach unten, bis die Laschen in der oberen Spulenabdeckung einrasten.
4. Folgen Sie den Anweisungen im Abschnitt „AUSWECHSELN DES FADENS“, um den Mähfaden neu einzusetzen.

### WECHSEL DES FLÜGELMESSERS

**HINWEIS:** Zur Vermeidung von Verletzungen sollten Sie vor jedem Umgang mit dem Dickichtmesser Schutzhandschuhe anziehen.

1. Entfernen Sie die untere Abdeckung wie in Abb. T & U gezeigt.
2. Setzen Sie den Stabilisator ein und lösen Sie die Mutter wie in Abb. X1 & X2 mit einem Schlagschraubener.
3. Montieren Sie alle Teile bis auf den Innenflansch und die Mutter ab (Abb. X3), und bringen Sie das Messer an der Motorwelle an (s. Abb. X4).
4. Ziehen Sie das Messer fest (Abb. X5).

**⚠️ WARNUNG:** Wenn Sie Jungwuchs oder anderes Holzmaterial mit einem Durchmesser bis zu 2 cm schneiden, benutzen Sie die linke Seite des Messers, um einen Rückschlag zu vermeiden. Versuchen Sie nicht Holzmaterial mit einem größeren Durchmesser zu schneiden, da das Messer stecken bleiben oder das Dickichtmesser ruckartig vorwärts ziehen könnte. Das Messer oder das Dickichtmesser könnten dadurch beschädigt werden oder Sie könnten die Kontrolle über

das Dickichtmesser verlieren und sich verletzen.

**HINWEIS:** Schärfen Sie das Messer regelmäßig (wenn es merklich stumpf geworden ist) und lassen Sie es (von einem ausgebildeten Servicetechniker) ggf. auswuchten.

## WARTUNG

**⚠️ WARNUNG:** Verwenden Sie für die Wartung nur baugleiche Ersatzteile. Prüfen und warten Sie das Gerät regelmäßig. Um die Sicherheit und Zuverlässigkeit zu gewährleisten, sollten alle Reparaturen nur von qualifizierten Servicetechnikern durchgeführt werden.

**⚠️ WARNUNG:** Um schwere Verletzungen zu verhindern, entfernen Sie den Akku aus dem Werkzeug, bevor Sie das Gerät warten, reinigen, Aufsätze auswechseln oder Schnittgut aus dem Gerät entfernen.

**⚠️ VORSICHT:** Verstopfte Lüftungsschlitze verhindern, dass die Luft in das Motorgehäuse strömen kann. Das führt zu einer Überhitzung oder zu Motorschäden.

### REINIGEN DES GERÄTES

- Reinigen Sie das Gerät mithilfe eines feuchten Tuchs mit einem milden Reinigungsmittel. Keine Flüssigkeit im Werkzeug lassen. Das Werkzeug darf auf keinen Fall in Flüssigkeit getaucht werden.
- Benutzen Sie keine starken Reiniger am Kunststoffgehäuse oder am Griff. Die Teile können von bestimmten ätherischen Ölen, wie z. B. Kiefern- oder Zitronenöl und von Lösungsmitteln wie Petroleum angegriffen werden. Feuchtigkeit stellt zudem eine Stromschlaggefahr dar. Wischen Sie feuchte Stellen mit einem weichen trockenen Tuch ab.
- Reinigen Sie die Lüftungsschlitze am hinteren Gehäuse mit einer kleinen Bürste oder dem Luftstrom eines kleinen Staubsaugers.
- Halten Sie die Lüftungsschlitze im Motorgehäuse immer frei von Ablagerungen.

### SCHMIERUNG DES GETRIEBES

Das Getriebe im Getriebegehäuse muss regelmäßig mit Getriebefett geschmiert werden. Entfernen Sie etwa alle 50 Betriebsstunden die Dichtungsschraube auf der Gehäusesseite und überprüfen Sie den Schmiermittelstand im Getriebegehäuse.

Ist an den Zahnradflanken kein Fett zu sehen, gehen Sie nach den folgenden Anweisungen vor, um bis zu 3/4 des Volumens Getriebefett nachzufüllen. Getriebe nicht vollständig befüllen.

1. Halten Sie den Rasentrimmer seitlich, sodass die

Dichtungsschraube nach oben zeigt (Abb. W).

2. Montieren Sie die Dichtungsschraube mit dem im Lieferumfang enthaltenen Multifunktionsschlüssel ab.
3. Füllen Sie in die Schraubenöffnung mit einer Fettpresse (nicht mitgeliefert) maximal 3/4 des Volumens an Getriebefett ein.
4. Ziehen Sie die Dichtungsschraube nach dem Auffüllen wieder fest.

DE

### AUFBEWAHREN DES GERÄTES

- Nehmen Sie den Akku aus dem Rasentrimmer, wenn er nicht benutzt wird.
- Reinigen Sie das Werkzeug gründlich, bevor Sie es verstauen.
- Lagern Sie das Gerät an einem trockenen, gut belüfteten Ort, der sich abschließen lässt oder hoch gelegen und für Kinder unerreichbar ist. Bewahren Sie das Gerät nicht auf oder neben Düngemitteln, Benzin oder anderen Chemikalien auf.
- Bringen Sie beim Transport und Einlagern die Schutzhülle am Dickichtmesser an.

### Schutz der Umwelt



Elektrogeräte, alte Akkus und Ladegeräte dürfen nicht im Hausmüll entsorgt werden! Das Gerät muss einer offiziellen Recycling-Sammelstelle zur getrennten Entsorgung zugeführt werden.

Elektrowerkzeuge müssen bei einer umweltfreundlichen Recycling-Einrichtung abgegeben werden. entally compatible recycling facility.

## STÖRUNGSBEHEBUNG

**DE**

PROBLEM	URSACHE	LÖSUNG
Rasentrimmer lässt sich nicht starten.	<ul style="list-style-type: none"> <li>■ Der Akku ist nicht am Rasentrimmer angebracht.</li> <li>■ Kein elektrischer Kontakt zwischen Rasentrimmer und Akku.</li> <li>■ Der Akku ist leer.</li> <li>■ Der Entriegelungsschalter und der Auslöser wurden nicht gleichzeitig gedrückt.</li> </ul>	<ul style="list-style-type: none"> <li>■ Akku am Rasentrimmer anschließen.</li> <li>■ Akku herausnehmen, Kontakte überprüfen und wieder anschließen.</li> <li>■ Akku aufladen</li> <li>■ Halten Sie den Entriegelungsschalter gedrückt und drücken Sie dann den Auslöser, um den Rasentrimmer einzuschalten.</li> </ul>
Rasentrimmer hält während des Trimmens an.	<ul style="list-style-type: none"> <li>■ Der Fadenschutz ist nicht am Rasentrimmer montiert. Der Faden ist zu lang und belastet den Motor zu stark.</li> <li>■ Der eingesetzte Nylonfaden ist zu schwer.</li> <li>■ Der Motorschaft oder der Fadenkopf wird durch Gras blockiert.</li> <li>■ Der Motor ist überlastet.</li> <li>■ Der Akku oder der Rasentrimmer ist zu heiß.</li> <li>■ Akku ist nicht mit dem Werkzeug verbunden.</li> <li>■ Der Akku ist leer.</li> </ul>	<ul style="list-style-type: none"> <li>■ Entfernen Sie die Akku und montieren Sie den Fadenschutz am Trimmer.</li> <li>■ Verwenden Sie den empfohlenen Nylonmähfaden mit höchstens 2,4 mm Durchmesser.</li> <li>■ Stellen Sie den Rasentrimmer ab, entfernen Sie den Akku und beseitigen Sie das Gras am Motorschaft und am Fadenkopf.</li> <li>■ Nehmen Sie den Fadenkopf vom Rasen. Sobald sich die Belastung verringert, setzt der Motor seinen Betrieb wieder fort. Bewegen Sie den Trimmerkopf beim Schneiden in das Gras hinein und aus dem Gras heraus. Kürzen Sie dabei nicht mehr als 20 cm Länge mit einem Schnitt.</li> <li>■ Lassen Sie den Akku bzw. Trimmer unter 67°C abkühlen.</li> <li>■ Setzen Sie den Akku wieder ein.</li> <li>■ Akku aufladen</li> </ul>

PROBLEM	URSACHE	LÖSUNG
Trimmerkopf führt keinen Faden nach.	<ul style="list-style-type: none"> <li>■ Der Motorschaft oder der Fadenkopf wird durch Gras blockiert.</li> <li>■ Es ist nicht mehr genügend Faden in der Spule.</li> <li>■ Der Trimmerkopf ist verschmutzt.</li> <li>■ Der Mähfaden hat sich in der Spule verfangen.</li> <li>■ Der Faden ist zu kurz.</li> </ul>	<ul style="list-style-type: none"> <li>■ Stellen Sie den Rasentrimmer ab, nehmen Sie den Akku heraus, reinigen Sie den Motorschaft und den Mähkopf.</li> <li>■ Entfernen Sie den Akku und wechseln Sie den Trimmerfaden aus. Befolgen Sie dazu den Abschnitt „AUSWECHSELN DES FADENS“ in dieser Bedienungsanleitung.</li> <li>■ Entfernen Sie den Akkusatz und reinigen Sie den Mähkopf.</li> <li>■ Entfernen Sie den Akku, nehmen Sie den Faden aus dem Mähkopf und wickeln Sie ihn wieder auf. Befolgen Sie dazu den Abschnitt „AUSWECHSELN DES FADENS“ in dieser Bedienungsanleitung.</li> <li>■ Entfernen Sie den Akku und ziehen Sie mit der Hand am Faden. Drücken Sie den Mähkopf nach unten und lassen Sie ihn wieder los. Mehrmals wiederholen.</li> </ul>
Gras wickelt sich um den Trimmerkopf und das Motorgehäuse.	<ul style="list-style-type: none"> <li>■ Hohes Gras wird auf Bodenebene geschnitten.</li> </ul>	<ul style="list-style-type: none"> <li>■ Beim Mähen von hohem Gras ist zu beachten, dass in einem Durchgang nicht mehr als 20 cm gekürzt werden sollte, um ein Herumwickeln von Gras zu vermeiden.</li> </ul>
Risse am Mähkopf oder die untere Spulenabdeckungseinheit löst sich von der oberen Spulenabdeckung.	<ul style="list-style-type: none"> <li>■ Der Mähkopf ist abgenutzt.</li> </ul>	<ul style="list-style-type: none"> <li>■ Lassen Sie den Mähkopf unverzüglich durch einen qualifizierten Kundendiensttechniker austauschen.</li> </ul>

## GARANTIE

### EGO-GARANTIEBEDINGUNGEN

Sämtliche EGO Garantiebedingungen finden Sie auf der Website [egopowerplus.eu](http://egopowerplus.eu).

**LISEZ TOUTES LES INSTRUCTIONS!****FR****LISEZ LE MANUEL D'UTILISATION**

Alerte de sécurité



Porter une protection oculaire



Ne pas utiliser de lames métalliques



La distance entre la machine et les autres personnes doit être d'au moins 15 m.



Diamètre de fil : le diamètre du fil de coupe en nylon



Ce produit est conforme aux directives CE applicables.



Les produits électriques usagés ne doivent pas être jetés avec les ordures ménagères. Apportez-les dans un centre de recyclage agréé.

V Tension

.../min Par minute

kg Kilogramme

**SYMBOLES DE SÉCURITÉ**

**AVERTISSEMENT:** L'utilisation d'un outil électrique peut provoquer la projection d'objets étrangers dans vos yeux, ce qui peut provoquer des lésions oculaires graves. Avant de commencer à utiliser l'outil électrique, portez toujours un masque de sécurité ou des lunettes de sécurité avec des protections latérales et une visière complète si nécessaire. Nous vous recommandons de porter un Masque de Sécurité à Vision Panoramique par-dessus des lunettes de vue ou des lunettes de sécurité standards avec des protections latérales.



Pour réduire le risque de blessures, l'utilisateur doit lire la notice d'utilisation.



Porter une protection auditive



Attention à la projection d'objets



Déconnectez la batterie avant l'entretien



Largeur de coupe : la largeur de coupe maximale du taille-bordure



Ce produit est conforme à la législation britannique applicable.



Niveau de puissance acoustique garanti. Émission de bruit dans l'environnement conformément à la directive CE.

n<sub>0</sub> Régime à vide : vitesse de rotation à vide

Courant continu

IPX4 Protection contre les éclaboussures d'eau

## SPÉCIFICATIONS

	Tête de coupe	Lame à trois dents
Tension	56 V	56 V
Température d'utilisation recommandée	0°C-40°C	
Température de stockage recommandée	-20°C-70°C	
Température de recharge optimale	5°C-40°C	
Régime à vide	5000/6000 min <sup>-1</sup>	5000/6000 min <sup>-1</sup>
Type de fil de coupe	2,4 mm	/
Lame	/	ABB1203
Largeur de coupe	38cm	30cm
Poids (sans la batterie)	4,21 kg	4,45 kg
Niveau de puissance acoustique mesuré L <sub>WA</sub>	94,6 dB(A) K=1,8 dB(A)	96,5 dB(A) K=1,88 dB(A)
Niveau de pression acoustique au niveau des oreilles de l'opérateur L <sub>PA</sub>	81,7 dB(A) K=2,5 dB(A)	76,5 dB(A) K=3 dB(A)
Niveau de puissance acoustique garanti L <sub>WA</sub> (selon 2000/14/CE)	96 dB(A)	98 dB(A)
Vibration a <sub>h</sub>	Poignée d'assistance frontale	3,2 m/s <sup>2</sup> K=1,5 m/s <sup>2</sup>
	Poignée arrière	2,3 m/s <sup>2</sup> K=1,5 m/s <sup>2</sup>

- La valeur totale des vibrations indiquée a été mesurée selon une procédure conforme à une méthode de test standardisée et peut servir pour comparer différents outils.
- La valeur totale des vibrations déclarée peut également servir pour effectuer une évaluation préliminaire de l'exposition.

**REMARQUE:** Le niveau de vibrations lors de l'utilisation réelle de l'outil peut être différent de la valeur déclarée totale en fonction de la manière dont l'outil est utilisé ; Afin de protéger l'opérateur, l'utilisateur doit porter des gants et des protecteurs d'oreilles en conditions réelles d'utilisation.

## DESCRIPTION

**DESCRIPTION DE VOTRE TAILLE-BORDURE (Image A1)**

- Anneau du manche
- Interrupteur-gâchette
- Poignée arrière
- Entrée d'air
- Bouton de déverrouillage
- Bouton de vitesse
- Boucle d'accrochage de la sangle d'épaule
- Poignée auxiliaire avant réglable
- Sangle d'épaule
- Clé Multifonction
- Clé à six pans
- Tête de coupe
- Fil de coupe
- Languette de déblocage
- Lame de coupe du fil
- Capot de protection
- Mécanisme d'éjection
- Contacts électriques
- Verrou
- Protection en caoutchouc
- Bouton d'éjection de la batterie
- Barre de sécurité (pour tête de débroussailluse uniquement)
- Levier de verrouillage pour barre de sécurité (pour tête de débroussailluse uniquement)
- Bride extérieure (pour tête de débroussailluse uniquement)
- Écrou (pour tête de débroussailluse uniquement)
- Vis (pour tête de débroussailluse uniquement)

FR

## CONTENU DE L'EMBALLAGE

NOM DES PIÈCES	QUANTITÉ
Taille-bordure	1
Capot de protection	1
Poignée auxiliaire avant	1
Clé à six pans	1
Clé multifonctions	1
Sangle d'épaule	1
Manuel d'utilisation	1
Levier de verrouillage	1
Bride extérieure	1
Écrou	1

## ASSEMBLAGE

**⚠ AVERTISSEMENT:** Si une ou plusieurs pièces sont manquantes ou endommagées, n'utilisez pas cet outil tant que toutes les pièces n'ont pas été remplacées. Utiliser cet outil avec des pièces endommagées ou manquantes peut provoquer des blessures corporelles graves.

**⚠ AVERTISSEMENT:** N'essayez jamais de modifier ce produit ni de créer des accessoires non recommandés pour une utilisation avec ce taille-bordures. De tels modifications et changements constituent un usage impropre et peuvent engendrer des situations dangereuses pouvant conduire à des blessures corporelles graves.

**⚠ AVERTISSEMENT:** Pour éviter un démarrage accidentel pouvant provoquer des blessures graves, retirez toujours la batterie de la machine avant d'assembler des pièces.

**⚠ AVERTISSEMENT:** Lorsque la machine est équipée d'une tête de débroussailluse, la barre de sécurité doit être montée.

### ASSEMBLER LE CAPOT DE PROTECTION

**⚠ AVERTISSEMENT:** Portez toujours des gants pour assembler ou remplacer le carter de protection. Prenez garde à la lame lorsque vous montez le carter de protection et protégez votre main pour éviter de vous couper.

**⚠ AVERTISSEMENT:** N'utilisez jamais la machine sans que son carter de protection ne soit bien en place. Le carter de protection doit toujours être monté sur la machine pour protéger l'utilisateur ! Une fois que le carter a été fixé, n'essayez jamais de le démonter ou de le régler. S'il doit être remplacé, cela doit être fait par un réparateur qualifié !

1. Desserrez et retirez les deux vis du capot de protection (Image B).
2. Alignez les trous de fixation du capot de protection sur les trous de la pièce, puis verrouillez le capot sur la base du manche avec les deux vis et deux rondelles à ressort (Image C).

**REMARQUE:** Vérifiez que le capot de protection est fixé comme montré sur les images B et C, un montage inversé est très dangereux !

### INSTALLATION ET RÉGLAGE DE LA POIGNÉE DE MANŒUVRE AVANT

1. Desserrez le levier de verrouillage sur la poignée auxiliaire avant et retirez-le en même temps que l'écrou papillon (Image D).

**REMARQUE:** Montez la barre de sécurité sur le guidon avec les deux vis lorsque l'outil est équipé d'une tête de débroussailluse.

**REMARQUE:** Il existe deux types de leviers de verrouillage, le plus court est pour la tête de taille-bordure. Le plus long est prévu pour la tête de débroussailluse. Veillez à choisir le bon levier de verrouillage lorsque vous utilisez l'outil.

D-1	Poignée de manœuvre avant	D-4	Barre de sécurité (pour tête de débroussailluse uniquement)
D-2	Bloc de fixation	D-5	Levier de verrouillage
D-3	Écrou papillon		

2. Poussez la poignée avant sur le manche en avant de l'anneau du manche. Ne la placez jamais entre l'anneau et la zone de la poignée arrière (schéma E).
3. Glissez le bloc de fixation sur la fente située sur le manche (Image F).
4. Installez le levier de verrouillage et serrez-le à l'aide de l'écrou papillon. La poignée auxiliaire avant doit être tournée vers le haut et dirigée vers le haut de la poignée arrière (Image G).
5. Réglez la poignée auxiliaire avant entre l'anneau du manche et l'étiquette pour vous assurer que votre bras à l'avant est bien tendu pendant l'utilisation (Image H).
6. Abaissez le levier de verrouillage pour le bloquer (Image I).

**⚠ AVERTISSEMENT:** L'outil ne peut pas être utilisé sans la poignée auxiliaire avant solidement fixée.

### ATTACHER LA SANGLE D'ÉPAULE

Pour un fonctionnement plus sûr et plus efficace, placez la sangle sur l'une de vos épaules et en travers de votre dos.

1. Appuyez sur le crochet de la sangle pour l'ouvrir et attachez-le à la boucle d'accrochage de la sangle d'épaule (Image J).
2. Réglez la longueur et l'emplacement de la bandoulière pour obtenir une position de travail confortable - tenez la coupe-bordure à deux mains : une main sur la poignée arrière et l'autre sur la poignée avant.

**⚠ AVERTISSEMENT:** En cas d'urgence, retirez-la im-



médiatement de votre épaule, quelle que soit la manière dont elle est portée.

N'utilisez pas la bandoulière simple et la bandoulière double simultanément.

Lorsque vous portez la bandoulière, rien ne doit interférer avec son retrait.

## FUNCTIONNEMENT

**AVERTISSEMENT:** Portez toujours des lunettes ou un masque de sécurité pourvus de protections latérales, en plus d'une protection auditive, sans quoi des objets pourraient être projetés dans les yeux et provoquer d'autres blessures potentiellement graves.

Vous pouvez utiliser cet outil pour les usages listés ci-dessous :

**Taillage:** pour retirer le gazon et les mauvaises herbes contre des murs, des barrières, des arbres et des bordures.

**Coupe:** pour couper le gazon difficile à atteindre avec une tondeuse classique.

**REMARQUE:** L'outil ne doit être utilisé que pour son usage prévu. Tout autre usage, par exemple tailler des haies, est considéré impropre.

### INSÉRER/RETIRER LA BATTERIE

Utilisez exclusivement les batteries et les chargeurs listés à la fig. A2

**Rechargez complètement la batterie avant la première utilisation.**

#### Insertion

Alignez les arêtes de la batterie sur les rainures d'assemblage et poussez la batterie vers le bas jusqu'à entendre un déclic (Image K).

#### Retrait

Appuyez sur le bouton d'éjection de la batterie et tirez la batterie hors de l'outil comme indiqué sur l'Image L.

L-1	Bouton d'éjection de la batterie
-----	----------------------------------

### TENIR LE TAILLE-BORDURES

Pour améliorer et sécuriser l'utilisation, placez la sangle d'épaule sur l'épaule comme indiqué sur l'image N. Réglez la sangle d'épaule dans une position d'utilisation confortable. Tenez le taille-bordures à deux mains : Une main sur la poignée arrière et l'autre main sur la poignée auxiliaire avant.

**REMARQUE:** La tête de coupe est parallèle au sol à une distance de coupe appropriée sans que l'opérateur ne soit

penché (Image N).

Il y a deux manières de défaire la sangle. Retirez-la directement de votre épaule (Image O) ou appuyez sur le crochet de la sangle et détachez-le de la boucle d'accrochage sur le manche (Image P).

**AVERTISSEMENT:** La sangle d'épaule est aussi un mécanisme de retrait rapide en cas de situation dangereuse. En cas d'urgence, retirez-la immédiatement de votre épaule, quelle que soit la manière dont elle est portée.

### DÉMARRER ET ÉTEINDRE LE TAILLE-BORDURES (Image M)

#### Allumer l'outil

Appuyez sur le levier de déverrouillage, puis appuyez sur la gâchette. Différents niveaux de pression sur la gâchette produisent différentes vitesses de rotation du fil de coupe. Plus vous appuyez, plus la vitesse augmente.

#### Arrêter l'outil

Relâchez l'interrupteur-gâchette.

**REMARQUE:** Le moteur ne marche que lorsque le bouton de déverrouillage et la gâchette sont tous les deux enfoncés.

### Fonction de réglage de la vitesse (Image M)

Le taille-bordures dispose de deux vitesses. La position « 1 » correspond à une vitesse faible et la position « 2 » à une vitesse élevée.

M-1	Bouton de vitesse
M-2	Bouton de déverrouillage
M-3	Interrupteur-gâchette

### UTILISER LE TAILLE-BORDURES

Nettoyez la zone à couper avant chaque utilisation. Retirez tous les objets pouvant s'emmêler dans les accessoires de coupe ou être projetés, par exemple les pierres, les morceaux de verre, les clous, les fils métalliques, les ficelles. Veillez à ce qu'il n'y ait aucune autre personne, aucun enfant, ni aucun animal dans l'aire de travail. Veillez à ce que les enfants, les animaux ainsi que toute autre personne se tiennent toujours à au moins 15 m de l'outil en fonctionnement ; le risque de projection d'objets reste présent. Insistez à ce que les autres personnes présentes à proximité portent une protection oculaire. Si une personne s'approche de vous, éteignez immédiatement le moteur et l'accessoire de coupe.

**Avant chaque utilisation, inspectez l'outil**

## pour vérifier qu'aucune de ses pièces n'est endommagée/usée.

Inspectez la tête de frappe, le capot de protection, la poignée auxiliaire avant, et remplacez les pièces fissurées, voilées, tordues ou présentant une autre détérioration.

La lame de coupe du fil présente sur le bord du capot de protection s'use avec le temps. Il est recommandé de l'affûter régulièrement avec une lime ou de la remplacer par une lame neuve.

**⚠ AVERTISSEMENT:** Portez toujours des gants quand vous assemblez ou remplacez le carter de protection ou quand vous affûtez ou remplacez la lame coupe-fil. Notez l'emplacement de la lame sur la protection et protégez vos mains contre les blessures.

## Blocage de la tête de taille-bordures

- Pour éviter tout blocage, gardez la tête du taille-bordures propre. Enlevez l'herbe coupée, les feuilles, la saleté et tout autre débris accumulé avant et après chaque utilisation.
- En cas de blocage, arrêtez le taille-bordures et retirez-en la batterie, puis enlevez l'herbe qui aurait pu s'enrouler autour de l'arbre du moteur ou de la tête du taille-bordures.

## Après chaque utilisation, nettoyez l'outil.

## REGLER LA LONGUEUR DU FIL DE COUPE

La tête de coupe permet à l'opérateur d'allonger le fil de coupe sans éteindre le moteur. Quand le fil de coupe est usé ou effiloché, vous pouvez l'allonger en frappant légèrement la tête de coupe sur le sol pendant que l'outil est en marche (Image Q).

**REMARQUE:** L'allongement du fil de coupe devient plus difficile au fur et à mesure qu'il se raccourcit.

**⚠ AVERTISSEMENT:** Ne retirez pas et ne modifiez pas l'assemblage de la lame de coupe du fil. Si la longueur du fil de coupe est excessive, cela peut provoquer la surchauffe du moteur et des blessures corporelles graves.

## CHANGER LE FIL DE COUPE

**REMARQUE:** Utilisez toujours le fil de coupe en nylon recommandé d'un diamètre ne dépassant pas 2,4 mm. Utiliser un autre fil que celui spécifié peut provoquer la surchauffe et la détérioration du taille-bordures.

**⚠ AVERTISSEMENT:** N'utilisez jamais de corde, de fil métallique, de fil à renfort métallique, etc., car ils peuvent se casser et devenir des projectiles dangereux.

1. Retirez la batterie.

2. Retirez le fil de coupe restant, si nécessaire.
3. Préparez un fil de coupe d'une longueur de 4 m. Insérez le fil dans les trous d'assemblage des œillets (Image R). Poussez le fil et tirez-le de l'autre côté jusqu'à ce qu'il y ait une longueur de fil identique de chaque côté de la bobine.
4. Appuyez, tout en tournant le boîtier inférieur dans le sens de la flèche, pour enrouler le fil sur la bobine jusqu'à ce que 14 cm environ de fil dépassent de chaque côté (Image S).
5. Appuyez sur le boîtier inférieur tout en tirant les extrémités du fil pour les faire sortir manuellement et contrôler le bon assemblage de la tête de coupe.

Si le fil de coupe casse au niveau du trou de sortie ou s'il n'est pas libéré quand la tête de coupe est frappée, procédez comme suit :

1. Appuyez sur les languettes de déblocage du boîtier supérieur et retirez le boîtier inférieur en le tirant en ligne droite vers l'extérieur (Images T et U).
2. Retirez le fil de coupe de la bobine.
3. Tenez le boîtier inférieur d'une main et alignez les languettes du boîtier supérieur sur les trous du boîtier inférieur (Image V). Enfoncez le boîtier inférieur avec la paume de la main jusqu'à ce que les languettes se verrouillent sur le boîtier supérieur.
4. Pour recharger le fil de coupe, effectuez la procédure « CHANGER LE FIL DE COUPE ».

## REMPACEMENT DE LA LAME A 3 DENTS

**REMARQUE:** Pour éviter les risques de blessures, portez des gants avant toute opération avec la lame à 3 dents.

1. Retirez le boîtier inférieur (image T et U)
2. Insérez le stabilisateur puis utilisez une clé à douille à choc pour desserrer l'écrou (image X1 et X2).
3. Retirez toutes les pièces excepté la bride intérieure et l'écrou (image X3), montez la lame sur l'arbre moteur (image X4).
4. Serrez la lame (image X5).

**⚠ AVERTISSEMENT:** Lors de la coupe de jeunes arbustes ou d'autres matériaux en bois d'un diamètre allant jusqu'à 2 cm, utilisez le côté gauche de la lame pour éviter des rebonds de lame. N'essayez pas de couper des matériaux en bois d'un diamètre supérieur, car la lame risque de s'accrocher ou de renvoyer les végétaux coupés vers l'avant. Cela peut provoquer la détérioration de la lame ou de la débroussailleuse, vous en faire perdre le contrôle et provoquer des blessures corporelles.

**REMARQUE:** Réaffûtez la lame régulièrement (quand

elle est visiblement émoussée) et faites-la équilibrer si nécessaire (par un technicien qualifié).

## ENTRETIEN

**⚠ AVERTISSEMENT:** L'outil ne doit être réparé qu'avec des pièces de rechange identiques. Inspectez et entretenez l'outil régulièrement. Pour garantir la sécurité et la fiabilité, toutes les réparations doivent être effectuées par un réparateur qualifié.

**⚠ AVERTISSEMENT:** Pour éviter les blessures corporelles graves, retirez la batterie de l'outil avant de le réparer, de le nettoyer, de changer un accessoire ou d'enlever des matières de l'outil.

**⚠ ATTENTION:** Si les ouïes de ventilation sont bouchées, cela empêchera l'air de circuler dans le boîtier du moteur, ce qui peut provoquer la surchauffe et la détérioration du moteur.

### NETTOYER L'OUTIL

- Nettoyez l'outil avec un chiffon humide et un détergent doux. Veillez à ce qu'aucun liquide ne pénètre jamais dans l'outil. N'immergez jamais aucune partie de l'outil dans un liquide.
- N'utilisez pas de détergent puissant sur le boîtier en plastique ou sur la poignée, car ils peuvent être endommagés par certaines huiles aromatiques, par exemple de pin et de citron, et par les solvants, par exemple l'essence. L'humidité peut également générer un risque de choc électrique. Essayez les traces d'humidité avec un chiffon doux et sec.
- Avec une petite brosse ou un petit aspirateur, nettoyez les ouïes de ventilation du boîtier arrière.
- Veillez à ce que les ouïes de ventilation du boîtier du moteur soient toujours exemptes de débris.

### LUBRIFICATION DES ENGRENAGES DE TRANSMISSION

Les engrenages de transmission dans le boîtier d'engrenage doivent être lubrifiés régulièrement avec de la graisse à engrenage. Contrôlez le niveau de graisse dans le boîtier d'engrenage toutes les 50 h d'utilisation en retirant la vis d'étanchéité sur le côté du boîtier.

Si vous ne voyez pas de graisse sur les flancs des engrenages, procédez comme suit pour remplir le boîtier de graisse jusqu'au 3/4 de sa capacité. Ne remplissez pas complètement les engrenages de transmission.

1. Posez le taille-bordures sur son flanc de sorte que la vis d'étanchéité soit vers le haut (Image W).

2. Utilisez la clé multifonction fournie pour desserrer et retirer la vis d'étanchéité.
3. Avec une seringue à graisse (non fournie), injectez de la graisse dans le trou de vis sans dépasser les 3/4 de la capacité.
4. Revissez complètement la vis d'étanchéité après l'injection.

### RANGER L'OUTIL

- Retirez la batterie du taille-bordures quand vous ne l'utilisez pas.
- Nettoyez soigneusement et intégralement l'outil avant de le ranger.
- Rangez l'outil dans un endroit sec, bien aéré, fermé à clé ou en hauteur, et hors de portée des enfants. Ne rangez pas l'outil sur ou à côté d'engrais, d'essence ou d'autres substances chimiques.
- Mettez le protège-lame sur la lame à 3 dents pendant le transport et le stockage.

### Protection de l'environnement



Ne jetez pas les équipements électriques, les batteries usées et les chargeurs avec les ordures ménagères ! Apportez ce produit chez un recycleur agréé et rendez-le disponible pour une collecte séparée. Les outils électriques doivent être amenés dans un centre de recyclage pour assurer un respect de l'environnement.

## DÉPANNAGE

FR

PROBLÈME	CAUSE	SOLUTION
Le taille-bordures ne s'allume pas.	<ul style="list-style-type: none"> <li>■ La batterie n'est pas insérée dans le taille-bordures.</li> <li>■ Il n'y a pas de contact électrique entre l'outil et la batterie.</li> <li>■ La batterie est déchargée.</li> <li>■ Le bouton de déverrouillage et l'interrupteur-gâchette ne sont pas tous les deux enfoncés.</li> </ul>	<ul style="list-style-type: none"> <li>■ Insérez la batterie dans le taille-bordures.</li> <li>■ Retirez la batterie, inspectez les contacts, puis réinsérez la batterie.</li> <li>■ Rechargez la batterie.</li> <li>■ Appuyez sur le bouton de déverrouillage et maintenez-le enfoncé, puis appuyez sur l'interrupteur-gâchette pour allumer le taille-bordure.</li> </ul>
Le taille-bordure s'arrête pendant la coupe.	<ul style="list-style-type: none"> <li>■ Le capot de protection n'est pas assemblé sur l'outil, ce qui provoque une longueur excessive du fil de coupe et la surcharge du moteur.</li> <li>■ Un fil de coupe trop épais est utilisé.</li> <li>■ L'arbre du moteur ou la tête de coupe est bloqué par de l'herbe.</li> <li>■ Le moteur est en surcharge.</li> <li>■ La batterie ou le taille-bordure est trop chaud.</li> <li>■ La batterie est déconnectée de l'outil.</li> <li>■ La batterie est déchargée.</li> </ul>	<ul style="list-style-type: none"> <li>■ Retirez la batterie, puis assemblez le capot de protection sur l'outil.</li> <li>■ Utilisez le fil de coupe en nylon recommandé d'un diamètre ne dépassant pas 2,4 mm.</li> <li>■ Éteignez l'outil, retirez la batterie, puis retirez l'herbe de l'arbre du moteur et de la tête de coupe.</li> <li>■ Retirez la tête de coupe de l'herbe. Le moteur retrouve un fonctionnement normal dès que la charge est retirée. Pendant la coupe, déplacez la tête de coupe dans et hors de l'herbe à couper, et ne coupez pas une longueur supérieure à 20 cm en un seul passage.</li> <li>■ Laissez la batterie et l'outil refroidir jusqu'à ce que sa température devienne inférieure à 67°C.</li> <li>■ Réinstallez la batterie.</li> <li>■ Rechargez la batterie.</li> </ul>

PROBLÈME	CAUSE	SOLUTION
La tête de coupe ne fait pas avancer le fil de coupe.	<ul style="list-style-type: none"> <li>■ L'arbre du moteur ou la tête de coupe est bloqué par de l'herbe.</li> <li>■ Il n'y a pas assez de fil de coupe sur la bobine.</li> <li>■ La tête de coupe est sale.</li> <li>■ Le fil de coupe est emmêlé sur la bobine.</li> <li>■ Le fil de coupe est trop court.</li> </ul>	<ul style="list-style-type: none"> <li>■ Éteignez l'outil, retirez la batterie, puis retirez l'herbe de l'arbre du moteur et de la tête de coupe.</li> <li>■ Retirez la batterie et changez le fil de coupe. Pour cela, consultez le chapitre « CHANGER LE FIL DE COUPE » de ce manuel d'utilisation.</li> <li>■ Retirez la batterie, puis retirez l'herbe de la tête de coupe.</li> <li>■ Retirez la batterie, enlevez le fil de coupe de la tête de coupe, puis rembobinez-le. Pour cela, consultez la partie « CHANGER LE FIL DE COUPE » de ce manuel d'utilisation.</li> <li>■ Retirez la batterie, puis tirez les extrémités du fil de coupe en appuyant et en relâchant la tête de coupe de manière alternée.</li> </ul>
De l'herbe s'enroule autour de la tête de coupe et du boîtier du moteur.	<ul style="list-style-type: none"> <li>■ Vous coupez de l'herbe haute au ras du sol.</li> </ul>	<ul style="list-style-type: none"> <li>■ Coupez les herbes hautes de haut en bas en coupant 20 cm au maximum à chaque passage pour éviter que l'herbe ne s'enroule.</li> </ul>
La tête de coupe est fissurée ou le boîtier inférieur est détaché du boîtier supérieur.	<ul style="list-style-type: none"> <li>■ La tête de coupe est usée.</li> </ul>	<ul style="list-style-type: none"> <li>■ Faites immédiatement remplacer la tête de coupe par un réparateur qualifié.</li> </ul>

## GARANTIE

### POLITIQUE DE GARANTIE EGO

Visitez le site Web [egopowerplus.eu](http://egopowerplus.eu) pour consulter les conditions complètes de la politique de garantie EGO.

## ¡LEA TODAS LAS INSTRUCCIONES!



**LEA EL MANUAL DEL USUARIO**

**ES**



Aviso de seguridad



Utilizar protección ocular



No utilice cuchillas de metal



La distancia entre la máquina y otras personas debe ser al menos 15 m.



Diámetro del hilo: tenga en cuenta el diámetro del hilo de corte indicado.



Este producto está en conformidad con las directivas de la CE aplicables.



Los productos eléctricos no deben eliminarse con la basura doméstica. Lívelos a un centro de reciclaje autorizado.

V Tensión

.../min Por minuto

kg Kilogramo

## SÍMBOLOS DE SEGURIDAD



**ADVERTENCIA:** Cuando se utilizan herramientas eléctricas, es posible que salgan despedidos objetos que podrían causar lesiones oculares graves. Antes de empezar a usar herramientas eléctricas, póngase siempre gafas de seguridad, gafas con cristales anti-impacto que cuenten con pantallas de protección lateral, o bien una máscara facial que proteja completamente la cara. Recomendamos usar una máscara de seguridad de amplia visión que pueda utilizarse encima de gafas graduadas, o bien gafas normales de seguridad equipadas con pantallas laterales.



Para reducir el riesgo de lesiones, el usuario debe leer el manual de instrucciones.



Utilizar protección auditiva



Cuidado con los objetos arrojados



Desconecte la batería antes de realizar el mantenimiento



Anchura de corte: la anchura de corte máxima del cortabordes con cabezal de hilo



Este producto cumple la legislación aplicable del Reino Unido.



Nivel de potencia acústica garantizado. La emisión de ruido al medio ambiente cumple la directiva de la Comunidad Europea.

$n_0$  Velocidad sin carga: velocidad de giro, sin carga



Corriente continua

IPX4 Protección contra salpicaduras de agua

## ESPECIFICACIONES

	Cabezal del cortabordes	Cuchilla de 3 dientes	
Tensión	56 V $\overline{\text{---}}$	56 V $\overline{\text{---}}$	
Temperatura de funcionamiento recomendada:	0°C-40°C		
Temperatura de almacenamiento recomendada:	-20°C-70°C		
Temperatura ambiente óptima de recarga	5°C-40°C		
Velocidad sin carga	5000/6000 min <sup>-1</sup>	5000/6000 min <sup>-1</sup>	
Tipo de hilo de corte	2,4 mm	/	
Cuchilla de corte	/	ABB1203	
Anchura de corte	38 cm	30cm	
Peso (sin batería)	4,21 kg	4,45 kg	
Medición del nivel de potencia acústica L <sub>WA</sub>	94,6 dB(A) K=1,8 dB(A)	96,5 dB(A) K=1,88 dB(A)	
Nivel de presión acústica medido a la altura del oído del usuario L <sub>PA</sub>	81,7 dB(A) K=2,5 dB(A)	76,5 dB(A) K=3 dB(A)	
Nivel de potencia acústica garantizado L <sub>WA</sub> (de acuerdo con la directiva 2000/14/CE)	96 dB(A)	98 dB(A)	
Nivel de vibraciones a <sub>n</sub>	Empuñadura auxiliar delantera	3,2 m/s <sup>2</sup> K=1,5 m/s <sup>2</sup>	2,8 m/s <sup>2</sup> K=1,5 m/s <sup>2</sup>
	Empuñadura trasera	2,3 m/s <sup>2</sup> K=1,5 m/s <sup>2</sup>	3,1 m/s <sup>2</sup> K=1,5 m/s <sup>2</sup>

- El valor de vibración total ha sido medido de acuerdo con el método de prueba estándar y se puede utilizar para comparar herramientas.
- El valor total de vibración declarado se puede usar además en una evaluación preliminar del grado de exposición.

**AVISO:** Las vibraciones generadas durante el uso real de la herramienta eléctrica pueden diferir del valor declarado en función de la manera en que se utilice. Como protección, el usuario debería utilizar guantes y protectores auditivos en condiciones reales de uso.

## DESCRIPCIÓN

### FAMILIARÍCESE CON EL CORTABORDES CON CABEZAL DE HILO (Fig. A1)

1. Abrazadera de tope
2. Gatillo
3. Empuñadura trasera
4. Entrada de aire
5. Botón de desbloqueo
6. Conmutador de alta/baja velocidad
7. Soporte para la correa bandolera
8. Empuñadura auxiliar delantera ajustable
9. Correa bandolera
10. Llave multifunción
11. Llave hexagonal
12. Cabezal del cortabordes (cabezal de impacto)
13. Hilo de corte
14. Lengüeta de liberación
15. Cuchilla de recorte del hilo
16. Protección
17. Mecanismo de expulsión
18. Contactos eléctricos
19. Seguro
20. Protección de almohadilla de goma
21. Botón de liberación de la batería
22. Barrera de seguridad (solo para cabezal de desbrozadora)
23. Espiga de bloqueo de la barrera de seguridad (solo para cabezal de desbrozadora)
24. Brida exterior (solo para cabezal de desbrozadora)
25. Tuerca (solo para cabezal de desbrozadora)
26. Tornillos (solo para cabezal de desbrozadora)

ES

## LISTA DEL CONTENIDO

NOMBRE DE LA PIEZA	CANTIDAD
Cortabordes con cabezal de hilo	1
Protección	1
Conjunto de empuñadura auxiliar delantera	1
Llave hexagonal	1
Llave multifunción	1
Correa bandolera	1
Manual del usuario	1
Espiga de bloqueo	1
Brida exterior	1
Tuerca	1
Tornillo	2

## MONTAJE

**⚠️ ADVERTENCIA:** Si alguna pieza falta o está rota, no utilice el producto hasta haber sustituido las piezas. Podrían producirse lesiones graves en caso de utilizar el producto si alguna de sus piezas falta o está dañada.

**⚠️ ADVERTENCIA:** No intente modificar esta herramienta en modo alguno ni fabricar accesorios no recomendados para el uso con este cortabordes con cabezal de hilo. Cualquier alteración o modificación se considerará uso indebido y podría provocar una situación peligrosa con riesgo de sufrir lesiones graves.

**⚠️ ADVERTENCIA:** Para evitar una puesta en marcha accidental que podría causar lesiones graves, quite siempre la batería de la máquina antes de montar piezas.

**⚠️ ADVERTENCIA:** Si la máquina está equipada con cabezal de desbrozadora, debe instalarse la barrera de seguridad.

### MONTAJE DE LA PROTECCIÓN

**⚠️ ADVERTENCIA:** Utilice siempre guantes al instalar o sustituir la protección. Tenga cuidado con la cuchilla instalada en la protección y protéjase las manos adecuadamente para evitar cortarse.

**⚠️ ADVERTENCIA:** Nunca utilice la máquina sin la protección instalada y firmemente sujeta en su sitio. ¡La protección deberá estar siempre instalada en la máquina para proteger al usuario! Cuando la protección esté fijada, no intente nunca quitarla o ajustarla. ¡En caso de que haya que sustituirla, deberá hacerlo un técnico cualificado!

1. Afloje los dos tornillos de la protección (fig. B) y quítelos.
2. Alinee los orificios de montaje de la protección con los orificios de instalación y, a continuación, bloquee la protección sobre la base del tubo utilizando los dos tornillos, junto con dos arandelas elásticas (fig. C).

**⚠️ AVISO:** Asegúrese de que la protección esté fijada tal como se muestra en las fig. B y C. ¡Si se fija de forma inversa provocará una situación de peligro grave!

### MONTAJE Y AJUSTE DE LA EMPUÑADURA AUXILIAR DELANTERA

1. Afloje la espiga de bloqueo en la empuñadura auxiliar delantera y quite la espiga de bloqueo y la tuerca de mariposa de la empuñadura auxiliar delantera (fig. D).

**⚠️ AVISO:** Si la herramienta está equipada con cabezal de desbrozadora, instale la barrera de seguridad sobre la

empuñadura con bucle utilizando los dos tornillos.

**⚠️ AVISO:** Hay dos tipos de espiga de bloqueo, la más corta se usa con el cabezal del cortabordes. La más larga se utiliza con el cabezal de desbrozadora. Tenga cuidado de escoger la espiga de bloqueo correcta cuando use la herramienta.

D-1	Empuñadura auxiliar delantera	D-4	Barrera de seguridad (solo para cabezal de desbrozadora)
D-2	Bloque de fijación	D-5	Espiga de bloqueo
D-3	Tuerca de mariposa		

2. Empuje la empuñadura delantera sobre el tubo en la parte frontal de la abrazadera de tope. No la ponga nunca entre la abrazadera de tope y el área de la empuñadura trasera (fig. E).
3. Inserte el bloque de fijación en la ranura de la empuñadura (fig. F).
4. Monte la espiga de bloqueo y sujételos ligeramente con la tuerca de mariposa. Asegúrese de que la empuñadura auxiliar delantera quede hacia arriba y apunte hacia la parte superior de la empuñadura trasera (fig. G).
5. Ajuste la empuñadura auxiliar delantera entre la abrazadera de tope y la etiqueta, para asegurarse de que de que su brazo delantero esté recto cuando utilice la herramienta (fig. H).
6. Cierre la palanca de la espiga de bloqueo. (Fig. I).

**⚠️ ADVERTENCIA:** La herramienta no se puede usar si la empuñadura auxiliar delantera no está sujeta de forma segura.

### MONTAJE DE LA CORREA BANDOLERA

Para usar la herramienta mejor y con más seguridad, colóquese la correa sobre uno de los hombros y cruzándole la espalda.

1. Presione el gancho de la correa para abrirlo y engánchelo al soporte para la correa bandolera (fig. J).
2. Ajuste la longitud de la correa para el hombro y la ubicación en una posición cómoda para el uso: sostenga el cortabordes con ambas manos: una mano en la empuñadura trasera y la otra mano en la empuñadura delantera.

**⚠️ ADVERTENCIA:** En caso de emergencia, quítesela del hombro inmediatamente, sin importar cómo esté colocada la correa.



No debe utilizar la correa bandolera única y la correa doble de los hombros simultáneamente.

Al usar la correa, ningún otro dispositivo debe interferir con la liberación y la retirada de la correa.

## FUNCIONAMIENTO

**⚠️ ADVERTENCIA:** Lleve siempre gafas de seguridad o gafas con pantallas de protección lateral, además de protección auditiva. De lo contrario, de la herramienta pueden salir objetos despedidos y alcanzar los ojos, provocando lesiones graves.

Este producto puede utilizarse para los fines indicados a continuación:

**Recorte:** se usa para quitar hierba y malas hierbas junto a paredes, vallas, árboles y bordes.

**Corte:** se usa para cortar la hierba difícil de alcanzar con un cortacésped normal.

**AVISO:** La herramienta debe utilizarse únicamente para el fin previsto. Cualquier otro uso, por ejemplo el corte de setos, se considerará uso indebido.

### INSTALAR/QUITAR LA BATERÍA

Utilizar solo con los acumuladores y cargadores enumerados en la fig. A2.

**Cargue totalmente la batería antes de usarla por primera vez.**

#### Instalación

Alinee las nervaduras de la batería con las ranuras de montaje, e introduzca la batería presionándola hacia abajo hasta oír un "clic" (fig. K).

#### Retirada

Pulse el botón de liberación de la batería y saque la batería como se muestra en la fig. L.

L-1	Botón de liberación de la batería
-----	-----------------------------------

### SUEJCIÓN DEL CORTABORDES DE HILO

Para un funcionamiento mejor y más seguro, póngase la correa bandolera cruzada desde el hombro, como en la Fig. P. Ajuste la correa bandolera en una posición cómoda para utilizar la herramienta. Sujete firmemente el cortabordes de hilo utilizando las dos manos: Una mano deberá sujetar la empuñadura trasera y la otra la empuñadura auxiliar delantera.

**AVISO:** El cabezal del cortabordes está paralelo al suelo a

una distancia de corte adecuada, sin que el usuario tenga que inclinarse (fig. N).

Hay dos formas de soltar la correa. Quítesela directamente del hombro (Fig. O) o presione le gancho de la correa y quítela del clip del soporte de montaje de la correa fijado al tubo (Fig. P).

**⚠️ ADVERTENCIA:** La correa bandolera también es un mecanismo de liberación rápida si se produce una situación peligrosa. En caso de emergencia, quítesela del hombro inmediatamente, sin importar cómo esté colocada la correa.

### PUESTA EN MARCHA/PARADA DEL CORTABORDES DE HILO (fig. M)

#### Puesta en marcha

Presione hacia abajo la palanca de desbloqueo y, a continuación, apriete el gatillo interruptor. Las distintas presiones en el gatillo provocarán diferentes velocidades de giro del hilo de corte. Cuanta más presión, mayor será la velocidad.

#### Parada

Suelte el gatillo.

**AVISO:** El motor solo funcionará cuando el botón de desbloqueo y el gatillo se presionen a la vez.

#### Función de ajuste de la velocidad (fig. M)

El cortabordes de hilo tiene dos velocidades. La posición «1» es para baja velocidad mientras que la posición «2» es para alta velocidad.

M-1	Conmutador de alta/baja velocidad
M-2	Botón de desbloqueo
M-3	Gatillo

### USO DEL CORTABORDES DE HILO

Antes de cada uso, despeje la zona de corte. Quite todos los objetos como piedras, vidrios rotos, clavos, alambres, cables o cuerdas, ya que podrían salir despedidos por la acción de la herramienta o enredarse en el elemento de corte. Mantenga a los niños, las mascotas y otras personas fuera de la zona de trabajo. Mantenga a niños, mascotas y otras personas a una distancia mínima de 15 m; existe riesgo de que salgan objetos despedidos. Se recomienda que cualquier persona presente en la zona de trabajo utilice protección ocular. Apague inmediatamente el motor o desactive el dispositivo de corte si se acerca alguna persona.

**Antes de cada utilización, examine la herramienta por si hubiera piezas dañadas o desgastadas.**

Examine el cabezal de impacto, la protección y la empuñadura auxiliar delantera. Sustituya cualquier pieza que esté agrietada, deformada, doblada o presente cualquier tipo de daño.

Con el tiempo, el filo de la cuchilla de recorte de hilo situada en la protección puede llegar a embotarse. Se recomienda afilarla con una lima a intervalos periódicos o sustituirla por otra nueva.

**⚠ ADVERTENCIA:** Utilice siempre guantes cuando instale o sustituya la protección, así como cuando afile o cambie la cuchilla de corte del hilo. Tenga en cuenta la ubicación de la cuchilla instalada en la protección, y protéjase las manos adecuadamente para evitar lesionarse.

### Compruebe si hay alguna obstrucción en el cabezal del cortabordes

- Para evitar obstrucciones, mantenga limpio el cabezal del cortabordes. Retire los recortes de césped, las hojas, la suciedad y cualquier otro residuo acumulado antes y después de cada uso.
- Cuando se obstruya, pare el cortabordes con cabezal de hilo y quite la batería. A continuación, elimine la hierba que se haya enredado alrededor del eje del motor o del cabezal del cortabordes.

### Limpie el cortabordes después de cada uso.

### AJUSTE DE LA LONGITUD DEL HILO DE CORTE

El cabezal del cortabordes permite al usuario ir extrayendo más hilo de corte del carrete sin tener que detener el motor. A medida que el hilo se deshilacha o se desgasta, se puede extraer hilo adicional golpeando levemente el cabezal del cortabordes sobre el suelo mientras se utiliza el cortabordes (fig. Q).

**AVISO:** La extracción del hilo de corte se hará más difícil a medida que se hace más corto.

**⚠ ADVERTENCIA:** No retire ni modifique el conjunto de la cuchilla de recorte del hilo. Una longitud excesiva de hilo de corte hará que el motor se sobrecaliente y podría provocar lesiones graves.

### SUSTITUCIÓN DEL HILO DE CORTE

**AVISO:** Utilice siempre el hilo de corte de nailon recomendado, cuyo diámetro no sea mayor que 2,4 mm. Si se utiliza otro hilo de corte distinto al especificado, el cortabordes de hilo podría calentarse excesivamente y sufrir daños.

**⚠ ADVERTENCIA:** No utilice hilo con refuerzo de metal, alambre, cuerda, etc. Podrían romperse y sus trozos convertirse en proyectiles peligrosos.

1. Quite la batería.
2. En caso necesario, quite el hilo de corte que quede.
3. Corte 4 m de hilo e inserte el hilo en el orificio de montaje en el interior de la anilla (fig. R). Empuje y tire del hilo desde el otro lado, hasta que aparezca la misma cantidad de hilo por ambos lados del carrete.
4. Presione, al mismo tiempo que gira el conjunto de la tapa inferior en la dirección de la flecha, para enrollar el hilo en el carrete hasta que se vean aproximadamente 14 cm de hilo por cada lado (fig. S).
5. Empuje el conjunto de la tapa inferior hacia abajo mientras tira de los hilos para hacer que el hilo avance manualmente, y para comprobar el montaje correcto del cabezal del cortabordes.

Si el hilo de corte se rompe de la salida del hilo o si no se libera hilo de corte cuando se golpea el cabezal del cortabordes, realice los pasos siguientes:

1. Presione las lengüetas de liberación situadas en la tapa superior y retire el conjunto de la tapa inferior tirando de él hacia fuera (fig. T y U).
2. Quite el hilo de corte del carrete.
3. Sujetando con una mano el conjunto de la tapa inferior, use la otra mano para agarrar el conjunto de la tapa inferior y alinear las lengüetas de la tapa superior con los orificios del conjunto de la tapa inferior (fig. V); presione con la palma de la mano el conjunto de la tapa inferior, hasta que las lengüetas se enclaven en la tapa superior.
4. Siga las instrucciones del apartado "SUSTITUCIÓN DEL HILO DE CORTE" para volver a cargar el hilo de corte.

### SUSTITUCIÓN DE LA CUCHILLA DE 3 DIENTES

**AVISO:** Debe llevar guantes para protegerse contra posibles lesiones cuando realice cualquier operación con la cuchilla de 3 dientes.

1. Quite el conjunto de la tapa inferior como se indica en las fig. T y U.
2. Inserte el estabilizador y utilice después una llave de vaso de impacto para soltar la tuerca, como se indica en las fig. X1 y X2.
3. Quite todas las piezas, excepto la brida interior y la tuerca (fig. X3), y monte la cuchilla sobre el eje del motor como se indica en la fig. X4.
4. Apriete la cuchilla como se indica en la fig. X5.

**⚠ ADVERTENCIA:** Cuando corte árboles jóvenes u otro material de madera hasta 2 cm de diámetro, use el lado izquierdo de la cuchilla para evitar situaciones de contragolpe de la cuchilla. No intente cortar material

de madera con un diámetro más grande, ya que la cuchilla podría engancharse o sacudir hacia delante la desbrozadora. Esto podría provocar daños en la cuchilla o en la desbrozadora, o hacerle perder el control de la herramienta y provocar lesiones.

**AVISO:** Afíle la cuchilla regularmente (cuando esté notablemente embotada) y llévela a que la equilibren cuando sea necesario (a un técnico de servicio cualificado).

## MANTENIMIENTO

**⚠ ADVERTENCIA:** Cuando repare la herramienta, utilice solo piezas idénticas a las originales. Examine la herramienta regularmente y lleve a cabo las operaciones de mantenimiento. Para garantizar la seguridad y fiabilidad de la herramienta, las reparaciones debe realizarlas únicamente un técnico cualificado.

**⚠ ADVERTENCIA:** Para evitar lesiones graves, quite la batería de la herramienta antes de efectuar cualquier reparación, limpieza, sustitución de accesorios o retirar acumulaciones de material cortado.

**⚠ PRECAUCIÓN:** Cualquier obstrucción de los orificios de ventilación impedirá la correcta circulación de aire por el interior de la carcasa del motor, pudiendo hacer que este se sobrecaliente o sufra daños.

### LIMPIEZA DE LA UNIDAD

- Limpie la herramienta utilizando un paño húmedo y detergente suave. No deje nunca que entre líquido en la herramienta ni sumerja ninguna parte de la herramienta en ningún líquido.
- No utilice detergentes fuertes en la carcasa de plástico o la empuñadura. Algunos aceites aromáticos, como aquellos a base de limón o pino, y disolventes como el queroseno, podrían dañar estas piezas. La humedad también puede provocar descargas eléctricas. Utilice un paño suave y seco para eliminar cualquier resto de humedad.
- Utilice un cepillo pequeño o el accesorio tipo cepillo de una aspiradora para limpiar los orificios de ventilación de la carcasa trasera.
- Mantenga en todo momento los orificios de ventilación de la carcasa del motor libres de residuos.

### LUBRICACIÓN DE LOS ENGRANAJES DE TRANSMISIÓN

Los engranajes de transmisión de la caja de engranajes deberán lubricarse periódicamente con

grasa para engranajes. Compruebe el nivel de grasa de la caja de engranajes aproximadamente cada 50 horas de uso retirando el tornillo de sellado del lateral de la caja.

Si no se ve grasa en los flancos de los engranajes, siga los pasos que se indican a continuación para rellenar con grasa para engranajes hasta 3/4 de la capacidad. No rellene por completo los engranajes de transmisión con grasa.

1. Sujete el cortabordes por un lado, de modo que el tornillo de sellado esté hacia arriba (fig. W).
2. Emplee la llave multifunción suministrada para aflojar y retirar el tornillo de sellado.
3. Utilice una jeringa engrase (no incluida) para inyectar la grasa en el orificio del tornillo; no sobrepase 3/4 de la capacidad.
4. Apriete el tornillo de sellado tras la inyección.

### ALMACENAMIENTO DE LA HERRAMIENTA

- Quite la batería del cortabordes con cabezal de hilo cuando no lo utilice.
- Limpie a fondo la herramienta antes de guardarla.
- Almacene la herramienta en un lugar seco y bien ventilado, ya sea cerrado o a una altura suficiente que impida que los niños puedan alcanzarla. No la guarde encima ni cerca de fertilizantes, gasolina u otros productos químicos.
- Use la funda en la cuchilla de 3 dientes durante el transporte y el almacenamiento.

### Protección del medio ambiente



¡No elimine aparatos eléctricos, baterías usadas ni cargadores de baterías junto con los desperdicios domésticos! Lleve este producto a un punto de reciclaje autorizado y deposítelo por separado según corresponda. Las herramientas eléctricas se deben llevar a un punto de reciclaje con fin de proteger el medio ambiente.

## SOLUCIÓN DE PROBLEMAS

ES

PROBLEMA	CAUSA	SOLUCIÓN
El cortabordes con cabezal de hilo no se pone en marcha.	<ul style="list-style-type: none"> <li>■ La batería no está conectada correctamente al cortabordes.</li> <li>■ No hay contacto eléctrico entre la batería y el cortabordes.</li> <li>■ La batería está agotada.</li> <li>■ No ha presionado simultáneamente el botón de desbloqueo y el gatillo interruptor.</li> </ul>	<ul style="list-style-type: none"> <li>■ Conecte correctamente la batería al cortabordes.</li> <li>■ Quite la batería, compruebe los contactos eléctricos y vuelva a instalarla.</li> <li>■ Cargue la batería.</li> <li>■ Mantenga presionado hacia abajo el botón de desbloqueo y apriete el gatillo interruptor para poner en marcha el cortabordes con cabezal de hilo.</li> </ul>
El cortabordes con cabezal de hilo se para durante el uso.	<ul style="list-style-type: none"> <li>■ La protección no está instalada en el cortabordes, haciendo que el hilo de corte quede extraído a una longitud excesiva y el motor se sobrecargue.</li> <li>■ Se está utilizando un hilo de corte demasiado grueso.</li> <li>■ Hay una acumulación de hierba en el eje del motor o el cabezal del cortabordes.</li> <li>■ El motor se ha sobrecargado..</li> <li>■ La batería o el cortabordes están demasiado calientes.</li> <li>■ La batería se ha desconectado de la herramienta.</li> <li>■ La batería está agotada.</li> </ul>	<ul style="list-style-type: none"> <li>■ Quite la batería e instale la protección en el cortabordes.</li> <li>■ Utilice hilo de corte de nailon recomendado, con un diámetro no superior a 2,4 mm.</li> <li>■ Apague el cortabordes, quite la batería y retire la hierba del eje del motor y cabezal del cortabordes.</li> <li>■ Aparte el cabezal del cortabordes de la hierba. El motor se recuperará en cuanto se retire la carga. Al cortar la hierba, desplace el cabezal del cortabordes por esta siguiendo un movimiento de vaivén y procurando cortar una longitud máxima de 20 cm en cada pasada.</li> <li>■ Espere a que la batería o el cortabordes se hayan enfriado lo suficiente hasta que su temperatura sea inferior a 67°C.</li> <li>■ Vuelva a instalar la batería.</li> <li>■ Cargue la batería.</li> </ul>

PROBLEMA	CAUSA	SOLUCIÓN
El hilo de corte no se extrae automáticamente del cabezal del cortabordes.	<ul style="list-style-type: none"> <li>■ Hay una acumulación de hierba en el eje del motor o el cabezal del cortabordes.</li> <li>■ No queda suficiente hilo de corte en el carrete.</li> <li>■ El cabezal del cortabordes está sucio.</li> <li>■ El hilo está enredado en el carrete.</li> <li>■ El hilo es demasiado corto.</li> </ul>	<ul style="list-style-type: none"> <li>■ Apague el cortabordes, quite la batería y limpie el eje del motor y cabezal del cortabordes.</li> <li>■ Quite la batería y sustituya el hilo de corte. Consulte el apartado "SUSTITUCIÓN DEL HILO DE CORTE" en este manual.</li> <li>■ Quite la batería y limpie el cabezal del cortabordes.</li> <li>■ Quite la batería, retire el hilo del cabezal del cortabordes y vuelva a enrollarlo. Consulte el apartado "SUSTITUCIÓN DEL HILO DE CORTE" en este manual.</li> <li>■ Quite la batería y tire manualmente de los extremos del hilo de corte mientras presiona y suelta alternativamente el cabezal del cortabordes.</li> </ul>
La hierba se enreda alrededor del cabezal y de la carcasa del motor.	<ul style="list-style-type: none"> <li>■ Está cortando a nivel del suelo hierba demasiado alta.</li> </ul>	<ul style="list-style-type: none"> <li>■ Corte la hierba alta de arriba hacia abajo, cortando un máximo de 20 cm en cada pasada para evitar que se enrede.</li> </ul>
Grietas en el cabezal del cortabordes, o el conjunto de la tapa inferior se suelta de la tapa superior.	<ul style="list-style-type: none"> <li>■ El cabezal del cortabordes está desgastado.</li> </ul>	<ul style="list-style-type: none"> <li>■ Lleve el aparato inmediatamente a un técnico cualificado para que cambie el cabezal del cortabordes.</li> </ul>

## GARANTÍA

### POLÍTICA DE GARANTÍA DE EGO

Visite la página web [egopowerplus.eu](http://egopowerplus.eu) para conocer los términos y condiciones completos de la política de garantía de EGO.

**LEIA TODAS AS INSTRUÇÕES!****LEIA O MANUAL DE INSTRUÇÕES****PT**

Alerta de segurança



Use proteção ocular.



Não use lâminas de metal



A distância entre a máquina e terceiros deve ser de, pelo menos, 15 m.



Diâmetro do fio: O diâmetro do fio de corte de nylon



Este produto encontra-se em conformidade com as diretivas CE aplicáveis.



Os resíduos elétricos não deverão ser eliminados juntamente com o lixo doméstico comum. Entregue-os num centro de reciclagem autorizado.

V Voltagem

.../min Por minuto

kg Quilograma

**SÍMBOLOS DE SEGURANÇA**

**⚠️ AVISO:** O funcionamento de qualquer ferramenta elétrica pode dar origem ao ressalto de quaisquer objetos estranhos que podem atingir os olhos, podendo dar origem a sérias lesões oculares. Antes de começar a utilizar a ferramenta elétrica, utilize sempre óculos de segurança com proteções laterais e uma proteção completa para o rosto, quando necessário. Recomendamos a utilização de máscaras de segurança com visão panorâmica por cima dos óculos ou óculos de segurança padrão com proteção lateral.



De modo a reduzir os riscos de ferimentos, o utilizador tem de ler o manual de utilização.



Use proteção auditiva.



Tenha cuidado com os objetos atirados.



Desligue a bateria antes da manutenção.



Largura de corte: A largura máx. de corte da roçadora



Este produto está em conformidade com a legislação aplicável do Reino Unido.



Nível de potência do som garantido. Emissão de ruído para o ambiente de acordo com a diretiva da Comunidade Europeia.

n<sub>0</sub> Velocidade de rotação, sem carga

⚡ Corrente direta

IPX4 Proteção contra salpicos

## CARACTERÍSTICAS TÉCNICAS

	Cabeça da roçadora	Lâmina de 3 dentes
Voltagem	56 V	56 V
Temperatura de funcionamento recomendada:	0 °C a 40 °C	
Temperatura de armazenamento recomendada:	-20 °C a 70 °C	
Temperatura de carregamento ótima	5 °C a 40 °C	
Velocidade sem carga	5000/6000 min <sup>-1</sup>	5000/6000 min <sup>-1</sup>
Tipo de fio de corte	2,4 mm	/
Lâmina de corte	/	ABB1203
Largura de corte	38 cm	30cm
Peso (sem a bateria)	4,21 kg	4,45 kg
Nível de potência do som medido L <sub>WA</sub>	94,6 dB(A) K=1,8 dB(A)	96,5 dB(A) K=1,88 dB(A)
Nível da pressão do som no ouvido do operador L <sub>PA</sub>	81,7 dB(A) K=2,5 dB(A)	76,5 dB(A) K=3 dB(A)
Nível de potência do som garantido L <sub>WA</sub> (de acordo com a norma 2000/14/CE)	96 dB(A)	98 dB(A)
Vibração a <sub>h</sub>	Pega dianteira	3,2 m/s <sup>2</sup> K=1,5 m/s <sup>2</sup>
	Pega traseira	2,3 m/s <sup>2</sup> K=1,5 m/s <sup>2</sup>

- O valor total declarado da vibração foi medido de acordo com um método de teste padrão e pode ser usado para comparar duas ferramentas;
- O valor total declarado da vibração também pode ser usado numa avaliação preliminar da exposição.

**AVISO:** A emissão de vibrações durante a utilização da ferramenta elétrica pode diferir do valor declarado em que a ferramenta é usada. De modo a proteger o utilizador, este deverá usar luvas e proteção auditiva nas condições atuais de utilização.

## DESCRIÇÃO

### CONHEÇA A SUA ROÇADORA (Imagem A1)

1. Anilha de entrada

2. Gatilho
3. Pega traseira
4. Entrada de ar
5. Botão de desbloqueio
6. Interruptor de velocidade alta/baixa
7. Gancho de fixação da alça para o ombro
8. Pega dianteira ajustável
9. Alça
10. Chave multifunções
11. Chave sextavada
12. Cabeça da roçadora (cabeça de choque)
13. Fio de corte
14. Aba de libertação
15. Lâmina de corte do fio
16. Proteção
17. Mecanismo de ejeção
18. Contactos elétricos
19. Aba
20. Proteção de borracha
21. Botão de libertação da bateria
22. Barra de barreira de segurança (apenas para a cabeça da moto-roçadora)
23. Haste de fixação da barra de barreira de segurança (apenas para a cabeça da moto-roçadora)
24. Rebordo exterior (apenas para a cabeça da moto-roçadora)
25. Porca (apenas para a cabeça da moto-roçadora)
26. Parafusos (apenas para a cabeça da moto-roçadora)

## LISTA DE PEÇAS

NOME DA PEÇA	QUANTIDADE
Roçadora de fio	1
Proteção	1
Conjunto da pega dianteira	1
Chave sextavada	1
Chave multifunções	1
Alça	1
Manual de utilização	1
Haste de fixação	1
Rebordo exterior	1
Porca	1
Parafuso	2

## MONTAGEM

**⚠️ AVISO:** Se houver peças danificadas ou em falta, não utilize o produto até ter substituído essas peças. Utilizar este produto com peças danificadas ou em falta pode dar origem a ferimentos sérios.

**⚠️ AVISO:** Não tente modificar este produto nem criar acessórios que não sejam recomendados para utilizar com esta roçadora de fio. Qualquer alteração ou modificação é considerada uma má utilização e pode dar origem a perigos, que podem levar a ferimentos sérios.

**⚠️ AVISO:** Para evitar um arranque acidental que possa causar ferimentos sérios, retire sempre a bateria da máquina durante a montagem das peças.

**⚠️ AVISO:** Quando a máquina vier equipada com uma cabeça de motorroçadora, deverá montar a barra de barreira de segurança.

### MONTAR A PROTEÇÃO

**⚠️ AVISO:** Use sempre luvas quando montar ou substituir a proteção. Tenha cuidado com a lâmina na proteção e proteja a sua mão contra cortes.

**⚠️ AVISO:** Nunca utilize a máquina sem a proteção bem colocada. A proteção tem de estar sempre na máquina para proteger o utilizador. Quando a proteção estiver fixada, nunca tente retirar nem ajustar a proteção. Se for necessário substituí-la, isso deverá ser efetuado por um técnico de reparação qualificado!

1. Desaperte e liberte os dois parafusos da proteção (Imagem B).
2. Alinhe os orifícios de montagem da proteção com os orifícios de montagem, e depois fixe a proteção na base do eixo com dois parafusos, juntamente com duas anilhas de mola (Imagem C).

**AVISO:** Certifique-se de que a proteção está fixada de acordo com a Imagem B e C. Qualquer fixação inversa irá provocar um grande perigo!

### MONTAR E AJUSTAR A PEGA DIANTEIRA

1. Desaperte a haste de fixação na pega dianteira e retire a haste de fixação e a porca de asas da pega dianteira (Imagem D).

**AVISO:** Instale o conjunto da barra de barreira de segurança na pega em arco com os dois parafusos quando a ferramenta vier equipada com a cabeça da moto-roçadora.

**AVISO:** Existem dois tipos de haste de fixação. A curta é para a cabeça da roçadora. A comprida é para a cabeça da moto-roçadora. Tenha o cuidado de escolher a haste

de fixação correta quando usar a ferramenta.

D-1	Pega dianteira	D-4	Barra de barreira de segurança (apenas para a cabeça da moto-roçadora)
D-2	Bloco de fixação	D-5	Haste de fixação
D-3	Porca de asas		

2. Pressione a pega dianteira para o eixo na frente da anilha de entrada. Nunca a coloque entre a anilha de entrada e a área da pega traseira (Imagem E).
3. Insira o bloco de fixação na ranhura da pega (Imagem F).
4. Monte a haste de fixação e aperte com a porca de asas. Certifique-se de que a pega dianteira fica para cima, para ficar virada para o topo da pega traseira (Imagem G).
5. Ajuste a pega dianteira entre a anilha de entrada e a etiqueta, para se certificar de que o seu braço dianteiro fica esticado durante a operação (Imagem H).
6. Fixe a alavanca da haste de fixação. (Imagem I).

**⚠️ AVISO:** A ferramenta não pode ser utilizada sem a pega dianteira bem fixada.

### MONTAGEM DA ALÇA

Para uma operação mais segura e melhor, coloque a alça sobre um dos seus ombros e ao longo das costas.

1. Pressione o gancho da alça para o abrir e fixe no gancho de fixação da alça (Imagem J).
2. Ajuste o comprimento da alça para os ombros numa posição de funcionamento confortável. Segure a roçadora com ambas as mãos, com uma mão na pega traseira e a outra na pega dianteira.

**⚠️ AVISO:** Quando ocorre uma emergência, retire-a imediatamente do seu ombro, não importa o modo como a alça se encontra.

Não deverá usar a alça simples para o ombro e a alça dupla para os ombros em simultâneo.

Quando usar a alça, outros acessórios não deverão interferir com a libertação e remoção da alça.

## FUNCIONAMENTO

**⚠️ AVISO:** Use sempre óculos de segurança com proteção lateral, juntamente com proteção auditiva. Se não o fizer, pode apanhar com objetos nos olhos, dando



origem a possíveis lesões sérias.

Pode utilizar este produto para os objetivos abaixo listados:

**Aparar:** Usado para retirar relva e ervas daninhas encostadas a paredes, vedações, árvores e orlas.

**Cortar:** Usado para cortar relva difícil de alcançar usando uma máquina de cortar relva normal.

**AVISO:** A ferramenta só deve ser utilizada para o fim a que se destina. Qualquer outra utilização, por exemplo, para aparar sebes, pode ser considerada uma má utilização.

### FIXAR/RETIRAR A BATERIA

Utilize apenas com as baterias e carregadores listados na imagem A2.

### Carregue por completo antes da primeira utilização.

#### Para fixar

Alinhe as abas da bateria com as ranhuras de fixação e empurre a bateria para baixo até ouvir um “clique” (Imagem K).

#### Para retirar

Pressione o botão de libertação da bateria e puxe a bateria para fora, conforme apresentado na Imagem L.

L-1	Botão de libertação da bateria
-----	--------------------------------

### SEGURAR A ROÇADORA

Para uma operação melhor e mais segura, coloque a alça no ombro, conforme apresentado na Imagem N. Ajuste a alça numa posição de trabalho confortável. Segure a roçadora com ambas as mãos: Uma mão na pega traseira e a outra na pega dianteira.

**AVISO:** A cabeça da roçadora deve estar paralela ao chão com a distância de corte apropriada sem que o operador se curve (Imagem N).

Há dois modos de libertar a alça. Retire-a diretamente do seu ombro (Imagem O) ou pressione o gancho na alça e retire-a do gancho de fixação da alça fixado no eixo (Imagem P).

**AVISO:** A alça é também um mecanismo de libertação rápida em situações perigosas. Quando ocorre uma emergência, retire-a imediatamente do seu ombro, não importa o modo como a alça se encontra.

### LIGAR/DESLIGAR A ROÇADORA (Imagem M)

#### Para ligar

Pressione a alavanca de desbloqueio e depois, prima o gatilho. Uma diferença de pressão no gatilho resulta numa velocidade de rotação variável do fio de corte. Mais pressão, maior a velocidade.

#### Para parar

Deixe de premir o gatilho.

**AVISO:** O motor só funciona quando a alavanca de desbloqueio e o gatilho são pressionados simultaneamente.

#### Função de ajuste da velocidade (Imagem M)

A roçadora tem duas velocidades. A posição “1” é a de baixa velocidade e a posição “2” é a de alta velocidade.

M-1	Interruptor de velocidade alta/baixa
M-2	Botão de desbloqueio
M-3	Gatilho

### USAR A ROÇADORA

Limpe a área a cortar antes de cada utilização. Retire todos os objetos, como pedras, vidro partido, pregos, arames ou fios que possam ser atirados ou ficar presos no acessório de corte. Afaste as crianças, terceiros e animais. No mínimo, mantenha as crianças, terceiros e animais a um raio de 15 metros. Poderá continuar a haver um risco para as pessoas devido aos objetos que possam ser atirados. As outras pessoas deverão ser encorajadas a usar proteção ocular. Se alguém se aproximar, desligue imediatamente o motor e o acessório de corte.

#### Antes de cada utilização, verifique se existem peças gastas/danificadas.

Verifique a cabeça de choque, proteção, pega dianteira e substitua as peças rachadas, torcidas, dobradas ou danificadas de algum modo.

Esta lâmina para cortar o fio na extremidade da proteção pode deixar de ficar afiada com o passar do tempo. Recomendamos que afie periodicamente com uma lima ou que a substitua por uma lâmina nova.

**AVISO:** Use sempre luvas quando montar ou substituir a proteção ou afiar ou substituir a lâmina de corte do fio. Tenha em conta a localização da lâmina na proteção e proteja a sua mão contra ferimentos.

#### Verificar se existem bloqueios na cabeça da roçadora

- Para evitar bloqueios, mantenha a cabeça da roçadora limpa. Retire restos de relva, folhas, sujidade e outros

detritos acumulados antes e após cada utilização.

- Quando ocorrer um bloqueio, pare a roçadora e retire a bateria. Depois, retire qualquer erva que possa ter ficado presa no eixo do motor ou cabeça da roçadora.

**Após cada utilização, limpe a roçadora.**

## AJUSTAR O COMPRIMENTO DO FIO DE CORTE

A cabeça da roçadora permite ao operador libertar mais fio de corte sem parar o motor. À medida que o fio fica gasto, pode libertar mais fio, batendo ligeiramente a cabeça da bobina no chão enquanto utiliza a roçadora (Imagem Q).

**AVISO:** A libertação do fio irá ser mais difícil, pois o fio começa a ficar mais curto.

**AVISO:** Não retire nem altere o conjunto da lâmina de corte do fio. Um fio com um comprimento excessivo faz o motor sobreaquecer e pode dar origem a lesões pessoais sérias.

## SUBSTITUIÇÃO DO FIO

**AVISO:** Use o fio de corte de nylon recomendado com um diâmetro nunca superior a 2,4 mm. Usar outro fio para além do especificado pode fazer com que a roçadora sobreaqueça ou fique danificada.

**AVISO:** Nunca utilize fio reforçado com metal, arame, corda, etc. Estes podem partir e tornar-se projéteis perigosos.

1. Retire a bateria.
2. Retire o fio de corte restante, se necessário.
3. Corte 4m de fio de corte. Insira o fio no orifício de fixação no interior do ilhó (Imagem R). Pressione e puxe o fio a partir do outro lado, até que apareçam quantidades iguais de fio em ambos os lados da bobina.
4. Pressione, enquanto roda o conjunto da cobertura inferior na direção da seta, para enrolar o fio na bobina até que apareçam cerca de 14 cm de fio de cada lado (Imagem S).
5. Pressione o conjunto da cobertura dianteira para baixo enquanto puxa os fios para os fazer avançar manualmente, e certifique-se da montagem adequada da cabeça da roçadora.

Quando o fio de corte se partir na saída do fio, ou não for libertado quando bater com a cabeça da roçadora, siga os passos apresentados abaixo:

1. Prima as abas de libertação na cobertura dianteira e retire o conjunto da cobertura inferior puxando a direito (Imagem T e U).

2. Retire o fio de corte do fixador da bobina.
3. Com uma mão a segurar o conjunto da cobertura superior, use a outra mão para segurar o conjunto da cobertura inferior e alinhar as abas na cobertura com os orifícios no conjunto da cobertura inferior (Imagem V). Use a palma da mão para pressionar o conjunto da cobertura inferior até que as abas fiquem fixadas na cobertura superior.
4. Siga as instruções em “SUBSTITUIÇÃO DO FIO” para recarregar o fio de corte.

## SUBSTITUIÇÃO DA LÂMINA DE 3 DENTES

**OBSERVAÇÃO:** Para se proteger de ferimentos, tem de usar luvas antes de qualquer operação com a lâmina de 3 dentes.

1. Retire o conjunto da cobertura inferior, conforme apresentado nas Imagens T e U.
2. Insira o estabilizador e depois use uma chave de impacto para desapertar a porca, conforme apresentado nas Imagens X1 e X2.
3. Retire todas as peças, exceto o rebordo interior e a porca (Imagem X3), monte a lâmina no eixo do motor, conforme apresentado na Imagem X4.
4. Aperte a lâmina, conforme apresentado na Imagem X5.

**AVISO:** Quando cortar pequenas árvores ou outros materiais de madeira até 2 cm de diâmetro, use o lado esquerdo da lâmina para evitar possíveis ressaltos. Não tente cortar material de madeira com um diâmetro mais largo, pois a lâmina pode ficar presa ou atirar a motorroçadora para a frente. Isto pode danificar a lâmina ou a motorroçadora, ou fazer com que perca o controlo e sofra ferimentos.

**OBSERVAÇÃO:** Afie a lâmina regularmente (quando notar que não está afiada) e leve-a para ser equilibrada, se necessário (efetuado por um técnico qualificado).

## MANUTENÇÃO

**AVISO:** Quando fizer reparações, utilize apenas peças de substituição idênticas. Inspeção e efetue a manutenção da máquina com regularidade. Para assegurar a segurança e bom funcionamento, todas as reparações deverão ser efetuadas por um técnico de reparação qualificado.

**AVISO:** Para evitar lesões pessoais sérias, retire a bateria do aparelho antes da reparação, limpeza, mudança de acessórios ou remoção de material da unidade.

**⚠ CUIDADO:** As obstruções nas aberturas de ventilação impedem que o ar flua para a estrutura do motor, dando origem a um sobreaquecimento ou danos no motor.

### LIMPEZA DA UNIDADE

- Limpe a unidade usando um pano humedecido com detergente suave. Nunca permita que entrem líquidos no aparelho e nunca coloque qualquer parte do aparelho dentro de qualquer líquido.
- Não utilize detergentes fortes na estrutura de plástico ou na pega. Estes podem ser danificados por determinados óleos aromáticos, como pinho e limão e por solventes como querosene. A humidade também pode causar um perigo de choque. Retire qualquer vestígio de humidade com um pano macio e seco.
- Use uma pequena escova ou a descarga de ar de uma pequena escova aspiradora para limpar as entradas de ar na estrutura traseira.
- Mantenha sempre as aberturas de ventilação da estrutura do motor sem lixo.

### LUBRIFICAÇÃO DOS CARRETOS DE TRANSMISSÃO

Os carretos de transmissão na caixa dos carretos têm de ser lubrificados periodicamente com lubrificante para carretos. Verifique o nível de lubrificação da caixa dos carretos a cada 50 horas de funcionamento, retirando o parafuso vedante na parte lateral da caixa.

Se não vir qualquer lubrificante nas partes laterais do carreto, siga os passos apresentados abaixo para atestar com lubrificante para carretos até 3/4 da capacidade. Não encha completamente os carretos de transmissão.

1. Segure a roçadora de lado, de modo a que o parafuso vedante fique virado para cima (Imagem W).
2. Use a chave multifunções fornecida para desapertar e retirar o parafuso vedante.
3. Use uma seringa lubrificante (não incluída) para injetar algum lubrificante no orifício do parafuso. Não exceda 3/4 da capacidade.
4. Aperte o parafuso vedante após a injeção.

### GUARDAR A UNIDADE

- Retire a bateria da roçadora quando não a utilizar.
- Limpe bem o aparelho antes de o guardar.
- Guarde a unidade num local seco, bem ventilado, trancado ou elevado, fora do alcance das crianças. Não armazene a unidade em cima ou perto de fertilizantes, gasolina ou outros químicos.
- Use a bainha da lâmina na lâmina de 3 dentes durante o transporte e armazenamento.

### Proteja o ambiente



Não elimine equipamento elétrico, bateria gasta nem carregador juntamente com o lixo doméstico comum! Leve este produto a um centro de reciclagem autorizado para que possa haver uma separação das peças. As ferramentas elétricas têm de ser devolvidas em instalações de reciclagem ambientalmente compatíveis.

**PT**

## RESOLUÇÃO DE PROBLEMAS

PT

PROBLEMA	CAUSA	SOLUÇÃO
A roçadora não pega.	<ul style="list-style-type: none"> <li>■ A bateria não foi colocada na roçadora.</li> <li>■ Não existe contacto elétrico entre a roçadora e a bateria.</li> <li>■ A bateria está gasta.</li> <li>■ O botão de desbloqueio e o gatilho não foram premidos em simultâneo.</li> </ul>	<ul style="list-style-type: none"> <li>■ Fixe a bateria na roçadora.</li> <li>■ Retire a bateria, verifique os contactos e volte a instalar a bateria..</li> <li>■ Carregue a bateria.</li> <li>■ Prima o botão de desbloqueio e mantenha premido, depois prima o gatilho para ligar a roçadora.</li> </ul>
A roçadora para durante o corte.	<ul style="list-style-type: none"> <li>■ A proteção não está montada na roçadora, fazendo com que haja um fio excessivamente comprido e o sobreaquecimento do motor.</li> <li>■ Está a utilizar um fio de corte muito pesado.</li> <li>■ O eixo do motor ou a cabeça da roçadora estão cheios de relva.</li> <li>■ O motor está sobrecarregado.</li> <li>■ A bateria ou a roçadora estão muito quentes.</li> <li>■ A bateria foi retirada da ferramenta.</li> <li>■ A bateria está gasta.</li> </ul>	<ul style="list-style-type: none"> <li>■ Retire a bateria e monte a proteção na roçadora.</li> <li>■ Use o fio de corte de nylon recomendado com um diâmetro nunca superior a 2,4 mm.</li> <li>■ Pare a roçadora, retire a bateria e retire a relva do eixo do motor e da cabeça da roçadora.</li> <li>■ Retire a cabeça da roçadora da relva. O motor volta a funcionar mal a carga seja retirada. Quando cortar, mova a cabeça da roçadora para um lado e para o outro na relva a ser cortada e nunca retire mais de 20 cm num único corte.</li> <li>■ Deixe a bateria ou roçadora arrefecer até que a temperatura atinja menos de 67°C.</li> <li>■ Volte a colocar a bateria.</li> <li>■ Carregue a bateria.</li> </ul>
A cabeça da roçadora não faz o fio avançar.	<ul style="list-style-type: none"> <li>■ O eixo do motor ou a cabeça da roçadora estão cheios de relva.</li> <li>■ Não tem fio suficiente na bobina.</li> <li>■ A cabeça da roçadora está suja.</li> <li>■ O fio ficou enroscado na bobina.</li> <li>■ O fio é demasiado curto.</li> </ul>	<ul style="list-style-type: none"> <li>■ Pare a roçadora, retire a bateria e retire a relva do eixo do motor e da cabeça da roçadora.</li> <li>■ Retire a bateria e substitua o fio de corte. Siga a secção “SUBSTITUIÇÃO DO FIO” neste manual.</li> <li>■ Retire a bateria e limpe a cabeça da roçadora.</li> <li>■ Retire a bateria, retire o fio da bobina e enrole. Siga a secção “RECARREGAR O FIO DE CORTE” neste manual.</li> <li>■ Retire a bateria e puxe os fios manualmente enquanto pressiona alternadamente e liberta a cabeça da roçadora.</li> </ul>

PROBLEMA	CAUSA	SOLUÇÃO
A relva enrola-se à volta da cabeça da roçadora e da estrutura do motor.	<ul style="list-style-type: none"><li>■ Cortar relva alta ao nível do solo.</li></ul>	<ul style="list-style-type: none"><li>■ Corte relva alta do topo até baixo, nunca retirando mais de 20 cm em cada passo para evitar que a erva se enrole.</li></ul>
Existem rachas na cabeça da roçadora ou o conjunto da cobertura inferior liberta-se da cobertura superior.	<ul style="list-style-type: none"><li>■ A cabeça da roçadora está gasta.</li></ul>	<ul style="list-style-type: none"><li>■ A cabeça da roçadora deverá ser substituída imediatamente por um técnico de reparação qualificado.</li></ul>

## GARANTIA

### POLÍTICA DE GARANTIA EGO

Visite o website [egopowerplus.eu](http://egopowerplus.eu) para os termos e condições completos da política de garantia da EGO.

**LEGGERE TUTTE LE ISTRUZIONI!****LEGGERE IL MANUALE DI ISTRUZIONI****IT**

Avvertenza di sicurezza



Indossare protezioni per gli occhi



Non usare lame metalliche



Distanza minima tra l'apparecchio e le persone presenti: 15 metri



Diametro del filo - Diametro del filo di taglio in nylon



Questo prodotto è conforme alle direttive europee applicabili.



I prodotti elettrici non devono essere smaltiti insieme ai rifiuti domestici. Portarli presso un centro di riciclaggio autorizzato.

V Tensione

.../min Al minuto

kg Chilogrammo

**SIMBOLI DI SICUREZZA**

**⚠ AVVERTENZA!** L'uso di apparecchi elettrici può causare il lancio di oggetti estranei verso l'operatore, con il rischio di lesioni gravi agli occhi. Durante l'uso dell'apparecchio, indossare sempre occhiali protettivi o occhiali di sicurezza con protezioni laterali e, se necessario, una maschera facciale. Si consiglia di indossare una maschera di sicurezza con ampio campo visivo sopra gli occhiali o occhiali di sicurezza standard con protezioni laterali.



Per ridurre il rischio di infortuni, leggere il manuale di istruzioni.



Indossare protezioni per le orecchie



Fare attenzione agli oggetti proiettati dall'apparecchio



Scollegare la batteria prima della manutenzione



Ampiezza di taglio - Ampiezza di taglio max. del decespugliatore



Questo prodotto è conforme alla legislazione britannica pertinente.



Livello di potenza sonora garantito Emissioni acustiche ambientali ai sensi della direttiva dell'Unione europea.

 $n_0$  Velocità a vuoto - Velocità di rotazione, senza carico

☰ Corrente continua

IPX4 Protezione da schizzi d'acqua

## SPECIFICHE TECNICHE

	Testa di taglio con filo	Lama a 3 denti
Tensione	56 V $\overline{\text{---}}$	56 V $\overline{\text{---}}$
Temperatura di funzionamento raccomandata:	0°C-40°C	
Temperatura di conservazione raccomandata:	-20°C-70°C	
Temperatura di ricarica ottimale	5°C-40°C	
Velocità a vuoto	5000/6000 min <sup>-1</sup>	5000/6000 min <sup>-1</sup>
Tipo di filo di taglio	2,4 mm	/
Lama di taglio	/	ABB1203
Ampiezza di taglio	38 cm	30cm
Peso (senza gruppo batteria)	4,21 kg	4,45 kg
Livello di potenza sonora misurato L <sub>WA</sub>	94,6 dB(A) K=1,8 dB(A)	96,5 dB(A) K=1,88 dB(A)
Livello di pressione sonora a livello dell'orecchio dell'operatore L <sub>PA</sub>	81,7 dB(A) K=2,5 dB(A)	76,5 dB(A) K=3 dB(A)
Livello di potenza sonora garantito L <sub>WA</sub> (conformemente a 2000/14/EC)	96 dB(A)	98 dB(A)
Vibrazioni a <sub>h</sub>	Impugnatura anteriore	3,2 m/s <sup>2</sup> K=1,5 m/s <sup>2</sup>
	Impugnatura posteriore	2,3 m/s <sup>2</sup> K=1,5 m/s <sup>2</sup>

- Il valore totale dichiarato delle vibrazioni è stato misurato con un metodo di valutazione standard e può essere utilizzato per confrontare l'apparecchio con altri prodotti analoghi.
- Il valore totale di vibrazioni indicato può essere utilizzato anche per una valutazione preliminare dei livelli di esposizione.

**NOTA:** l'emissione di vibrazioni durante l'uso effettivo dell'apparecchio può variare rispetto al valore indicato in base a come viene utilizzato l'utensile. Per proteggersi, l'operatore deve indossare guanti e dispositivi di protezione per le orecchie in base alle reali condizioni d'uso.

## DESCRIZIONE

### DESCRIZIONE DEL DECESPUGLIATORE (Fig. A1)

1. Anello limitatore
2. Interruttore a leva
3. Impugnatura posteriore
4. Apertura di ingresso dell'aria
5. Pulsante di sbloccaggio
6. Interruttore di velocità alta/bassa
7. Attacco per tracolla
8. Impugnatura anteriore regolabile
9. Tracolla
10. Chiave multifunzione
11. Chiave esagonale
12. Testa di taglio con filo (rilascio mediante pressione)
13. Filo di taglio
14. Linguetta di rilascio
15. Lama taglia-filo
16. Cuffia di protezione
17. Meccanismo di espulsione
18. Contatti elettrici
19. Dispositivo di chiusura
20. Cuscinetto protettivo in gomma
21. Pulsante di rilascio della batteria
22. Barra di protezione (solo per testa di taglio con lama)
23. Perno di bloccaggio della barra di protezione (solo per testa di taglio con lama)
24. Flangia esterna (solo per testa di taglio con lama)
25. Dado (solo per testa di taglio con lama)
26. Viti (solo per testa di taglio con lama)

## CONTENUTO DELLA CONFEZIONE

NOME COMPONENTE	QUANTITÀ
Decespugliatore	1
Cuffia di protezione	1
Gruppo impugnatura anteriore	1
Chiave esagonale	1
Chiave multifunzione	1
Tracolla	1
Manuale di istruzioni	1
Perno di bloccaggio	1
Flangia esterna	1
Dado	1
Vite	2

IT

## ASSEMBLAGGIO

**⚠ AVVERTENZA!** In caso di componenti danneggiati o mancanti, non usare l'apparecchio finché i componenti non vengono sostituiti. L'uso dell'apparecchio con componenti danneggiati o mancanti comporta il rischio di lesioni gravi.

**⚠ AVVERTENZA!** Non tentare di modificare l'apparecchio o creare accessori non raccomandati per l'uso con questo apparecchio. Tali alterazioni o modifiche costituiscono un uso improprio e comportano condizioni pericolose e il rischio di lesioni gravi.

**⚠ AVVERTENZA!** Per evitare l'avvio accidentale e il conseguente rischio di lesioni gravi, rimuovere sempre il gruppo batteria dall'apparecchio durante l'assemblaggio dei componenti.

**⚠ AVVERTENZA!** Quando sull'apparecchio è installata la testa di taglio con lama, è necessario installare anche la barra di protezione.

### INSTALLAZIONE DELLA CUFFIA DI PROTEZIONE

**⚠ AVVERTENZA!** Indossare sempre i guanti durante l'installazione o la sostituzione della cuffia di protezione. Fare attenzione alla lama sulla cuffia di protezione e proteggere le mani dal rischio di lesioni.

**⚠ AVVERTENZA!** Non usare l'apparecchio se la cuffia di protezione non è posizionata e saldamente. La cuffia di protezione deve essere sempre installata per proteggere l'operatore. Dopo aver installato la cuffia di protezione, non tentare di rimuoverla o regolarla. Se è necessario sostituirla, affidare l'operazione a un tecnico qualificato.

1. Allentare e rimuovere le due viti dalla cuffia di protezione (Fig. B).
2. Allineare i fori di montaggio della cuffia con i fori di assemblaggio, quindi bloccare la cuffia sulla base dell'albero con le due viti e le due rondelle a molla (Fig. C).

**NOTA:** accertarsi che la cuffia sia fissata come illustrato in Fig. B e C; il fissaggio invertito comporta gravi rischi!

### INSTALLAZIONE E REGOLAZIONE DELL'IMPUGNATURA ANTERIORE

1. Allentare il perno di bloccaggio nell'impugnatura anteriore e rimuoverlo insieme al dado a farfalla (Fig. D).

**NOTA:** installare il gruppo barra di protezione sull'impugnatura ad anello con le due viti se sull'utensile è installata la testa di taglio con lama.

**NOTA:** sono inclusi due tipi di perno di bloccaggio; quello più corto è destinato alla testa di taglio con filo, quello più lungo è destinato alla testa di taglio con lama. Selezionare il perno di bloccaggio corretto prima di usare l'utensile.

D-1	Impugnatura anteriore	D-4	Barra di protezione (solo per testa di taglio con lama)
D-2	Morsetto	D-5	Perno di bloccaggio
D-3	Dado a farfalla		

2. Spingere l'impugnatura anteriore sull'asta, davanti all'anello limitatore. Non posizionarla tra l'anello limitatore e l'area dell'impugnatura posteriore (Fig. E).
3. Inserire il morsetto nella fessura dell'impugnatura (Fig. F).
4. Inserire il perno di bloccaggio e serrarlo leggermente con il dado a farfalla. Accertarsi che l'impugnatura anteriore sia ruotata verso l'alto e rivolta verso la parte superiore dell'impugnatura posteriore (Fig. G).
5. Regolare la posizione dell'impugnatura anteriore tra l'anello limitatore e l'etichetta affinché il proprio braccio anteriore sia dritto durante l'uso (Fig. H).
6. Fissare la leva del perno di bloccaggio (Fig. I).

**⚠ AVVERTENZA!** L'apparecchio non può essere usato senza l'impugnatura anteriore fissata saldamente.

### INSTALLAZIONE DELLA TRACOLLA

Per un uso sicuro e più agevole dell'apparecchio, indossare la tracolla sul petto appoggiandola a una spalla.

1. Premere il moschettone della tracolla per aprirlo e fissarlo all'apposito attacco (Fig. J).
2. Dopo aver regolato la lunghezza e la posizione della tracolla, tenere il tagliasepi con entrambe le mani: una mano sull'impugnatura posteriore e l'altra sull'impugnatura anteriore.

**⚠ AVVERTENZA!** In caso di emergenza, sfilarla immediatamente dalla spalla, indipendentemente dalla sua modalità di fissaggio.

Non usare la tracolla a doppia spalla e la tracolla a spalla singola simultaneamente.

Durante l'uso della tracolla, assicurarsi di non indossare oggetti che possano interferire con la sua rimozione.

## UTILIZZO

**⚠ AVVERTENZA!** Indossare sempre occhiali di sicurezza con o senza schermi laterali, insieme a protezioni per le orecchie, per evitare il contatto di



eventuali oggetti lanciati dall'apparecchio con gli occhi e altre lesioni gravi.

Questo prodotto può essere usato per gli scopi elencati di seguito.

**Rifinitura:** per rimuovere erba e erbacce contro muri, steccati, alberi e bordi.

**Taglio:** per tagliare erba difficile da raggiungere con un normale tosaerba.

**NOTA:** usare l'apparecchio esclusivamente per gli scopi previsti. Altri utilizzi, ad esempio come bordatore, sono da considerarsi impropri.

## INSTALLAZIONE/RIMOZIONE DEL GRUPPO BATTERIA

Usare esclusivamente con i gruppi batteria e i caricabatterie elencati in fig. A2.

### Ricaricare completamente la batteria prima del primo utilizzo.

#### Installazione

Allineare i rilievi sul gruppo batteria con le scanalature di assemblaggio e premere il gruppo batteria fino al "clic" (Fig. K).

#### Rimozione

Premere il pulsante di rilascio della batteria ed estrarre il gruppo batteria come illustrato in Fig. L.

L-1	Pulsante di rilascio della batteria
-----	-------------------------------------

## COME IMPUGNARE IL DECESPUGLIATORE

Per un funzionamento migliore e sicuro, indossare la tracolla sulla spalla come illustrato in Fig. N. Regolare la tracolla in una posizione di lavoro confortevole. Impugnare il decespugliatore con entrambe le mani: una mano sull'impugnatura posteriore e una mano sull'impugnatura anteriore ausiliaria.

**NOTA:** la testa del decespugliatore è parallela al terreno a una corretta distanza di taglio, senza che l'operatore debba piegarsi in avanti (Fig. N).

Sono disponibili due modalità di rilascio della tracolla. È possibile sfilarla direttamente dalla spalla (Fig. O) o premere il moschettone della tracolla e separarla dal gancio fissato sull'asta (Fig. P).

**⚠ AVVERTENZA!** La tracolla funziona anche da meccanismo di rilascio rapido in situazioni di pericolo. In caso di emergenza, sfilarla immediatamente dalla spalla, indipendentemente dalla sua modalità di fissaggio.

## AVVIO/ARRESTO DEL DECESPUGLIATORE (Fig. M)

### Avvio

Tenere premuto il pulsante di sbloccaggio, quindi premere l'interruttore a leva. La velocità di rotazione del filo di taglio è proporzionale alla pressione esercitata sull'interruttore a grilletto. Maggiore la pressione, maggiore la velocità.

### Arresto

Rilasciare l'interruttore a leva.

**NOTA:** il motore entrerà in funzione esclusivamente quando il pulsante di sbloccaggio e l'interruttore a leva sono premuti contemporaneamente.

## Funzione di regolazione della velocità (Fig. M)

L'apparecchio dispone di due velocità: la posizione "1" corrisponde alla bassa velocità mentre la posizione "2" corrisponde all'alta velocità.

M-1	Interruttore di velocità alta/bassa
M-2	Pulsante di sbloccaggio
M-3	Interruttore a leva

## UTILIZZO DEL DECESPUGLIATORE

Sgombrare l'area da tagliare prima di ogni utilizzo. Rimuovere oggetti come pietre, vetri rotti, chiodi, cavi o corde perché potrebbero venire lanciati o impigliarsi nell'accessorio di taglio. Tenere lontani dall'area di lavoro bambini, altre persone e animali. Tenere eventuali bambini, altre persone e animali ad almeno 15 m di distanza; permane tuttavia il rischio di lesioni alle altre persone dovute al lancio di oggetti. Si raccomanda di far indossare dei dispositivi di protezione per gli occhi a eventuali persone presenti. Se un'altra persona si avvicina, arrestare immediatamente il motore e l'accessorio di taglio.

### Prima di ogni utilizzo, verificare l'assenza di componenti danneggiati/usurati.

Ispezionare la testa di taglio, la cuffia di protezione e l'impugnatura anteriore e sostituire i componenti incrinati, deformati, piegati o danneggiati in qualsiasi modo.

La lama taglia-filo sul bordo della cuffia di protezione può smussarsi col tempo. Si consiglia di affilarla periodicamente con una lima o di sostituirla con una lama nuova.

**⚠ AVVERTENZA!** Indossare sempre i guanti durante l'installazione o la sostituzione della cuffia di protezione o durante l'affilatura o la sostituzione della lama taglia-filo. Individuare la posizione della lama taglia-filo sulla cuffia di protezione e proteggere le mani dal rischio di lesioni.

**Verificare che la testa di taglio non sia ostruita.**

- Mantenere la testa di taglio sempre pulita per evitare che possa bloccarsi. Rimuovere eventuali residui di erba, foglie, sporcizia e altri accumuli di detriti prima dopo ogni utilizzo.
- In caso di ostruzione, arrestare l'apparecchio, rimuovere la batteria e controllare se intorno all'albero motore o alla testa di taglio si sono avvolti fili d'erba.

## Pulire il decespugliatore dopo ogni utilizzo.

IT

## REGOLAZIONE DELLA LUNGHEZZA DEL FILO DI TAGLIO

La testa di taglio permette all'operatore di allungare il filo di taglio senza arrestare il motore. Quando il filo si sfilaccia o si usura, allungarlo premendo leggermente la testa di taglio sul terreno mentre il decespugliatore è in funzione (Fig. Q).

**NOTA:** allungare il filo diventa più difficile mano a mano che il filo di taglio si accorcia.

**AVVERTENZA!** Non rimuovere o alterare la lama taglia-filo. Una lunghezza eccessiva del filo causerà il surriscaldamento del motore, con il rischio di lesioni gravi.

## SOSTITUZIONE DEL FILO

**NOTA:** utilizzare esclusivamente il filo di taglio in nylon raccomandato con diametro non superiore a 2,4 mm. L'uso di fili diversi da quello specificato comporta il rischio di surriscaldamento o danneggiamento del decespugliatore.

**AVVERTENZA!** Non usare filo metallico o rinforzato in metallo, corda, ecc. perché possono rompersi e diventare proiettili pericolosi.

1. Rimuovere il gruppo batteria.
2. Rimuovere il filo di taglio rimanente, se necessario.
3. Tagliare 4 m di filo e inserire il filo nel foro di montaggio all'interno dell'occhiello (Fig. R). Spingere e tirare il filo dall'altro lato finché da entrambi i lati della bobina non fuoriescono quantità uguali.
4. Premere e contemporaneamente ruotare il gruppo coperchio inferiore in direzione della freccia per avvolgere il filo sulla bobina, finché da ogni lato non rimangono circa 14 cm di filo (Fig. S).
5. Spingere il gruppo coperchio inferiore verso il basso e contemporaneamente tirare i fili per farli avanzare manualmente e controllare il corretto assemblaggio della testa di taglio.

Se il filo di taglio si rompe a livello dell'uscita del filo o se il filo di taglio non viene rilasciato alla pressione della testa di taglio, seguire i passaggi descritti di seguito.

1. Premere le linguette di rilascio sul coperchio superiore e rimuovere il gruppo coperchio inferiore estraendolo in linea retta (Fig. T e U).
2. Rimuovere il filo di taglio dalla bobina.
3. Tenendo con una mano il gruppo coperchio inferiore, afferrare con l'altra mano il gruppo coperchio inferiore e allineare le linguette sul coperchio superiore con i fori nella base del gruppo coperchio inferiore (Fig. V); usare il palmo della mano per premere e il gruppo coperchio inferiore finché le linguette non si incastrano nel coperchio superiore.
4. Seguire le istruzioni alla sezione "SOSTITUZIONE DEL FILO" per ricaricare il filo di taglio.

## SOSTITUZIONE DELLA LAMA A 3 DENTI

**NOTA:** per evitare il rischio di lesioni, indossare dei guanti prima di effettuare qualsiasi operazione sulla lama a 3 denti.

1. Rimuovere il gruppo coperchio inferiore come illustrato in Fig. T e U.
2. Inserire lo stabilizzatore, quindi usare una chiave a impulsi per allentare il dado, come illustrato in Fig. X1 e X2.
3. Rimuovere tutti i componenti ad eccezione della flangia interna e del dado (Fig. X3) e installare la lama sull'albero motore come illustrato in Fig. X4.
4. Serrare la lama come illustrato in Fig. X5.

**AVVERTENZA!** Durante il taglio di piccole radici o altri materiali legnosi fino a 2 cm di diametro, usare il lato sinistro della lama per evitare il rischio di contraccolpo. Non tentare di tagliare materiali legnosi di diametro maggiore, perché la lama può incepparsi o spingere il decespugliatore in avanti. Ciò può danneggiare la lama o il decespugliatore o causare la perdita di controllo del decespugliatore, con il rischio di lesioni gravi.

**NOTA:** Riaffilare la lama regolarmente (se si è sensibilmente smussata) e farla equilibrare se necessario (l'operazione deve essere effettuata da un tecnico qualificato).

## MANUTENZIONE

**AVVERTENZA!** Per la riparazione dell'apparecchio, usare esclusivamente parti di ricambio identiche. Ispezionare l'apparecchio e sottoporlo a regolare manutenzione. Per garantire sicurezza e affidabilità, tutte le riparazioni e sostituzioni devono essere eseguite da un tecnico qualificato.

**AVVERTENZA!** Per evitare lesioni gravi, rimuovere

il gruppo batteria dall'apparecchio prima di pulirlo o ripararlo e prima di sostituire gli accessori o rimuovere del materiale dall'apparecchio.

**ATTENZIONE!** L'ostruzione delle aperture di ventilazione impedirà il flusso d'aria all'interno del vano motore, causando il surriscaldamento o il danneggiamento del motore.

### PULIZIA DELL'APPARECCHIO

- Pulire l'apparecchio usando un panno inumidito con del detergente neutro. Evitare l'infiltrazione di liquidi all'interno dell'apparecchio. Non immergere mai alcuna parte dell'apparecchio in liquidi.
- Non usare detersivi aggressivi sulle superfici esterne in plastica o sull'impugnatura perché possono essere danneggiate da alcuni oli aromatici, come pino e limone, e da solventi come il cherosene. L'umidità comporta il rischio di scossa elettrica. Rimuovere eventuali segni di umidità con un panno asciutto e morbido.
- Usare una piccola spazzola o un piccolo aspirapolvere per pulire le aperture di ventilazione sulla parte posteriore dell'apparecchio.
- Mantenere le aperture di ventilazione sul vano motore prive di detriti.

### LUBRIFICAZIONE DEGLI INGRANAGGI DI TRASMISSIONE

Gli ingranaggi di trasmissione nella scatola degli ingranaggi devono essere lubrificati periodicamente con del grasso per ingranaggi. Controllare il livello del grasso della scatola degli ingranaggi ogni 50 ore di utilizzo rimuovendo la vite sigillante sul lato della scatola.

Se ai lati dell'ingranaggio non è visibile del grasso, seguire i passaggi riportati di seguito per riempirlo di grasso fino ai 3/4 della sua capacità. Non riempire completamente gli ingranaggi di trasmissione.

1. Posizionare il decespugliatore su un lato affinché la vite sigillante sia rivolta verso l'alto (Fig. W).
2. Usare la chiave multifunzione fornita per allentare e rimuovere la vite sigillante.
3. Usare una siringa per grasso (non inclusa) per iniettare del grasso nel foro della vite; non superare i 3/4 della capacità.
4. Serrare la vite sigillante dopo il riempimento.

### CONSERVAZIONE DELL'APPARECCHIO

- Rimuovere il gruppo batteria dal decespugliatore quando non è in uso.
- Pulire accuratamente l'apparecchio prima di riporlo.

- Conservare l'apparecchio in un luogo asciutto, ben ventilato, elevato o chiuso a chiave, e fuori dalla portata dei bambini. Non conservare l'apparecchio sopra o in prossimità di fertilizzanti, benzina o altre sostanze chimiche.
- Rivestire la lama a 3 denti con l'apposito coprilama durante il trasporto e la conservazione.

### Protezione dell'ambiente



Non smaltire apparecchi elettrici, caricabatteria e batterie insieme ai rifiuti domestici. Portare il prodotto presso un centro di riciclaggio autorizzato affinché venga raccolto separatamente. Gli apparecchi elettrici devono essere portati presso un centro di riciclaggio ecocompatibile.

IT

## RISOLUZIONE DEI PROBLEMI

IT

PROBLEMA	CAUSA	SOLUZIONE
Il decespugliatore non si avvia.	<ul style="list-style-type: none"> <li>■ Il gruppo batteria non è installato sul decespugliatore.</li> <li>■ Nessun contatto elettrico tra il decespugliatore e la batteria.</li> <li>■ Il gruppo batteria è scarico.</li> <li>■ Il pulsante di sbloccaggio e l'interruttore a leva non sono stati premuti contemporaneamente.</li> </ul>	<ul style="list-style-type: none"> <li>■ Installare il gruppo batteria sul decespugliatore.</li> <li>■ Rimuovere la batteria, ispezionare i contatti e reinstallare il gruppo batteria.</li> <li>■ Ricaricare il gruppo batteria.</li> <li>■ Per avviare il decespugliatore, tenere premuto il pulsante di sbloccaggio contemporaneamente all'interruttore a leva.</li> </ul>
Il decespugliatore si arresta durante il taglio.	<ul style="list-style-type: none"> <li>■ La cuffia di protezione non è installata sul decespugliatore, causando l'eccessiva lunghezza del filo di taglio e il sovraccarico del motore.</li> <li>■ Il filo di taglio è troppo spesso.</li> <li>■ L'albero motore o la testa di taglio sono bloccati dall'erba.</li> <li>■ Il motore è sovraccarico.</li> <li>■ Il gruppo batteria o il decespugliatore sono troppo caldi.</li> <li>■ Il gruppo batteria si è scollegato sull'apparecchio.</li> <li>■ Il gruppo batteria è scarico.</li> </ul>	<ul style="list-style-type: none"> <li>■ Rimuovere il gruppo batteria e installare la cuffia di protezione sul decespugliatore.</li> <li>■ Utilizzare filo di taglio in nylon raccomandato con diametro non superiore a 2,4 mm.</li> <li>■ Arrestare il decespugliatore, rimuovere la batteria e rimuovere l'erba dall'albero motore e dalla testa di taglio.</li> <li>■ Rimuovere la testa di taglio dall'erba. Il motore si riavvierà alla rimozione del carico. Durante il taglio, spostare la testa del decespugliatore dentro e fuori dall'erba da tagliare e rimuovere non più di 20 cm di lunghezza a ogni passata.</li> <li>■ Attendere che la temperatura del gruppo batteria e del decespugliatore scenda al di sotto di 67°C.</li> <li>■ Reinstallare il gruppo batteria.</li> <li>■ Ricaricare il gruppo batteria.</li> </ul>

PROBLEMA	CAUSA	SOLUZIONE
Non è possibile allungare il filo della testa del decespugliatore.	<ul style="list-style-type: none"> <li>■ L'albero motore o la testa di taglio sono bloccati dall'erba.</li> <li>■ La bobina non contiene abbastanza filo.</li> <li>■ La testa di taglio è sporca.</li> <li>■ Il filo è impigliato sulla bobina.</li> <li>■ Il filo è troppo corto.</li> </ul>	<ul style="list-style-type: none"> <li>■ Arrestare il decespugliatore, rimuovere la batteria e pulire l'albero motore e la testa di taglio.</li> <li>■ Rimuovere la batteria e sostituire il filo di taglio. Seguire le istruzioni alla sezione "SOSTITUZIONE DEL FILO" in questo manuale.</li> <li>■ Rimuovere la batteria e pulire la testa di taglio.</li> <li>■ Rimuovere la batteria, rimuovere il filo dalla testa di taglio e riavvolgerlo. Seguire le istruzioni alla sezione "SOSTITUZIONE DEL FILO" in questo manuale.</li> <li>■ Rimuovere la batteria, quindi tirare il filo manualmente, e nel contempo premere e rilasciare la testa di taglio.</li> </ul>
L'erba si avvolge intorno alla testa di taglio e al vano motore.	<ul style="list-style-type: none"> <li>■ Tagliare l'erba a livello del terreno.</li> </ul>	<ul style="list-style-type: none"> <li>■ Tagliare l'erba dall'alto verso il basso, rimuovendo non più di 20 cm a ogni passata per evitare il problema.</li> </ul>
Incrinature sulla testa di taglio, o il gruppo coperchio inferiore è allentato dal coperchio superiore.	<ul style="list-style-type: none"> <li>■ La testa di taglio è usurata.</li> </ul>	<ul style="list-style-type: none"> <li>■ Sostituire immediatamente la testa di taglio, affidando l'operazione a un tecnico qualificato.</li> </ul>

## GARANZIA

### CONDIZIONI DELLA GARANZIA EGO

Visitare il sito web [egopowerplus.eu](http://egopowerplus.eu) per consultare le condizioni complete della garanzia EGO.

## LEES ALLE INSTRUCTIES!



### LEES DE GEBRUIKSAANWIJZING

NL



Veiligheidswaarschuwing



Draag oogbescherming



Gebruik geen metalen messen



De afstand tussen het apparaat en de omstanders mag niet minder dan 15 m zijn.



Draaddiameter - De diameter van de nylon snijdraad



Dit product is in overeenstemming met de EG-richtlijnen.



Gooi elektrisch afval niet via het huishoudelijk afval weg. Breng het naar een geautoriseerd recyclingbedrijf.

V Spanning

.../min Per minuut

kg Kilogram

## VEILIGHEIDSSYMBOLEN

**⚠ WAARSCHUWING:** De werking van het apparaat kan leiden tot het rondslingeren van (vreemde) objecten die in uw ogen kunnen terechtkomen. Dit kan leiden tot ernstig oogletsel. Wanneer u elektrische apparaten gebruikt, zorg er dan voor dat u altijd een veiligheidsbril (met zijschermen) of een gelaatsscherm draagt. We bevelen aan om een gelaatsscherm over uw bril of standaard veiligheidsbril met zijschermen te gebruiken.



De gebruiker moet de gebruiksaanwijzing lezen om het risico op letsel te beperken.



Draag gehoorbescherming



Pas op voor weggeslingerde voorwerpen



Koppel de accu los alvorens onderhoud uit te voeren



Maaibreedte - De max. maaibreedte van de grastrimmer



Dit product is in overeenstemming met de geldende wetgeving van het VK.



Gewaarborgd geluidsvermogensniveau. Geluidsemisatie voor de omgeving in overeenstemming met de richtlijnen van de Europese Unie.

$n_0$  Snelheid zonder belasting - Draaisnelheid, zonder belasting

≡≡≡ Gelijkstroom

IPX4 Bescherming tegen water

## SPECIFICATIES

	Trimmerkop	Mes met 3 snijbladen	
Spanning	56 V $\overline{\text{---}}$	56 V $\overline{\text{---}}$	
Aanbevolen bedrijfstemperatuur:	0°C-40°C		
Aanbevolen opslagtemperatuur:	-20°C-70°C		
Optimale laadtemperatuur	5°C-40°C		
Snelheid zonder belasting	5000/6000 min <sup>-1</sup>	5000/6000 min <sup>-1</sup>	
Type snijdraad	2,4 mm	/	
Maaiblad	/	ABB1203	
Maaibreedte	38 cm	30cm	
Gewicht ( zonder accupack)	4,21 kg	4,45 kg	
Gemeten geluidsvermogensniveau L <sub>WA</sub>	94,6 dB(A) K=1,8 dB(A)	96,5 dB(A) K=1,88 dB(A)	
Geluidsdruk niveau bij het oor van de bediener L <sub>PA</sub>	81,7 dB(A) K=2,5 dB(A)	76,5 dB(A) K=3 dB(A)	
Gewaarborgd geluidsvermogensniveau L <sub>WA</sub> (in overeenstemming met 2000/14/EC)	96 dB(A)	98 dB(A)	
Trilling a <sub>n</sub>	Voorste handgreep	3,2 m/s <sup>2</sup> K=1,5 m/s <sup>2</sup>	2,8 m/s <sup>2</sup> K=1,5 m/s <sup>2</sup>
	Achterste handgreep	2,3 m/s <sup>2</sup> K=1,5 m/s <sup>2</sup>	3,1 m/s <sup>2</sup> K=1,5 m/s <sup>2</sup>

- De opgegeven totale vibratiewaarde is gemeten volgens de standaard testmethode en kan worden gebruikt om het apparaat met een ander apparaat te vergelijken;
- De opgegeven totale vibratiewaarde kan tevens worden gebruikt in een voorafgaande beoordeling op blootstelling.

**OPMERKING:** De vibratie-afgifte tijdens het werkelijk gebruik van het elektrisch gereedschap kan verschillen van de opgegeven totale waarde; Om de bediener te beschermen dient de gebruiker tijdens het gebruik handschoenen en gehoorbescherming te dragen.

## BESCHRIJVING

### KEN UW TRIMMER (afb. A1)

- Grensring
- Schakelaar
- Achterste handgreep
- Luchtinlaat
- Vergrendelingsknop
- Hoog-/laag snelheidsschakelaar
- Schouder-riem bevestigingssoog
- Aanpasbare voorste handgreep
- Schouderriem
- Multifunctionele sleutel
- Binnenzeskantsleutel
- Trimmerkop (aantikkop)
- Snijdraad
- Ontgrendelingsknop
- Mes voor het snijden van de draad
- Bescherming
- Uitwerpmechanisme
- Elektrische contacten
- Vergrendeling
- Rubberen protector
- Accuvrijgaveknop
- Veiligheidsgreep (alleen voor de bosmaaierkop)
- Vergrendelstang voor veiligheidsgreep (alleen voor de bosmaaierkop)
- Buitenflens (alleen voor de de bosmaaierkop)
- Moer (alleen voor de de bosmaaierkop)
- Schroeven (alleen voor de de bosmaaierkop)

## INHOUD VAN DE VERPAKKING

NAAM ONDERDEEL	AANTAL
Trimmer	1
Bescherming	1
Voorste handgreep	1
Binnenzeskantsleutel	1
Multifunctionele sleutel	1
Schouderriem	1
Gebruiksaanwijzing	1
Vergrendelingsstang	1
Buitenste flens	1
Moer	1
schroef	2

NL

## MONTAGE

**⚠ WAARSCHUWING:** Als er onderdelen beschadigd zijn of ontbreken, gebruik dit product niet totdat alle onderdelen vervangen of aanwezig zijn. Dit product gebruiken met beschadigde of ontbrekende onderdelen kan ernstig persoonlijk letsel veroorzaken.

**⚠ WAARSCHUWING:** Probeer niet om dit product aan te passen of accessoires te maken die niet voor gebruik met deze grastrimmer zijn aanbevolen. Een dergelijke aanpassing of wijziging is misbruik en kan leiden tot gevaar en een ernstig persoonlijk letsel.

**⚠ WAARSCHUWING:** Om het toevallig starten van het apparaat, dat ernstig persoonlijk letsel kan veroorzaken, te voorkomen, verwijder altijd de accu uit het apparaat voordat u onderdelen monteert.

**⚠ WAARSCHUWING:** Als het gereedschap is uitgerust van een bosmaaierkop, moet de veiligheidsbarrière worden gemonteerd.

### HET SCHERM MONTEREN

**⚠ WAARSCHUWING:** Draag altijd handschoenen wanneer u de bescherming monteert of vervangt. Let op voor het mes op de bescherming zodat u geen letsel oploopt.

**⚠ WAARSCHUWING:** Gebruik het apparaat nooit zonder juist gemonteerde bescherming. De bescherming moet zich altijd op het apparaat bevinden om de gebruiker te beschermen! Als de bescherming is vastgemaakt, mag u nooit pogen de bescherming te verwijderen of aan te passen. Als u een vervanging nodig heeft, dient dit te worden uitgevoerd door een gekwalificeerde onderhoudsmonteur!

1. Maak de twee schroeven los en verwijder ze van de bescherming (afb. B).
2. Breng de bevestigingsgaten van de bescherming in één lijn met de montagegaten en bevestig de bescherming vervolgens met twee schroeven en twee veerringen op de asbasis (afb. C).

**OPMERKING:** Zorg ervoor dat het scherm volgens afb. B & C is bevestigd; een andere bevestiging kan groot gevaar veroorzaken!

### DE VOORSTE HANDGREEP MONTEREN EN AANPASSEN

1. Draai de vergrendelingsstang in de voorste handgreep los en verwijder de vergrendelingsstang en vleugelmoer van de voorste handgreep (afb. D).

**OPMERKING:** Monteer de veiligheidsgreep met de twee schroeven aan de lus greep als het gereedschap is voorzien van een bosmaaierkop.

**OPMERKING:** Er zijn twee soorten vergrendelingsstangen, de kortere is voor de trimmerkop. De langere is voor de bosmaaierkop. Let op bij de keuze van de juiste vergrendelingsstang bij gebruik van het gereedschap.

D-1	Voorste handgreep	D-4	Veiligheidsgreep (alleen voor de bosmaaierkop)
D-2	Klemblok	D-5	Vergrendelingsstang
D-3	Vleugelmoer		

2. Druk de voorste handgreep op de as aan de voorkant van de grensring. Plaats het nooit tussen de grensring en het gedeelte van de achterste handgreep (afb. E).
3. Steek het klemblok in de handgreepsleuf (afb. F).
4. Bevestig de vergrendelingsstang en maak hem alvast vast met de vleugelmoer. Zorg ervoor dat de voorste handgreep naar boven is gericht zodat het in richting van de achterste handgreep wijst (afb. G).
5. Pas de voorste handgreep tussen de grensring en het label aan om ervoor te zorgen dat de voorste arm recht is tijdens het gebruik (afb. H).
6. Vergrendel de hendel op de vergrendelingsstang. (Afb. I).

**⚠ WAARSCHUWING:** Het gereedschap kan niet worden gebruikt als de voorste handgreep niet veilig bevestigd is.

### DE SCHOUDERRIEM BEVESTIGEN

Voor een veilige en betere bediening plaatst u de riem over een van uw schouders en over uw rug.

1. Druk het bevestigingshaak in om hem te openen en bevestig hem aan de schouderriem bevestigingssoog (afb. J).
2. Pas de lengte en plaatsing van de schouderriem aan in een comfortabele bedieningspositie - houd de trimmer met beide handen vast: één hand op de achterste handgreep en de andere hand op de voorste handgreep.

**⚠ WAARSCHUWING:** Als er sprake is van een noodgeval, haalt u hem direct van de schouder, ongeacht hoe de riem zit.

Gebruik geen enkele schouderband of dubbele schouderband tegelijkertijd.

Bij het dragen van de riem mag geen enkele andere wear-able het losmaken en verwijderen van de riem hinderen.

## GEBRUIK

**⚠ WAARSCHUWING:** Draag altijd een afsluitende veiligheidsbril of een veiligheidsbril met zijschermen en



gehoorbescherming. Als u dat niet doet, kan dit ertoe leiden dat weggeslingerde voorwerpen in uw ogen terecht komen en ander mogelijk ernstig letsel.

U kunt dit product gebruiken voor onderstaand vermelde doeleinden:

**Trimmen:** wordt gebruikt voor het verwijderen van gras en onkruid langs muren, hekken, bomen en perken.

**Snijden:** wordt gebruikt voor het maaien van gras dat moeilijk te bereiken is met een normale grasmaaier.

**OPMERKING:** Het gereedschap mag alleen voor het voorheen genoemde doeleinde worden gebruikt. Ieder ander gebruik, bijvoorbeeld het trimmen van randen, is in dit geval misbruik.

### HET ACCUPACK INSTALLEREN/VERWIJDEREN

Gebruik alleen met in afb. A2 vermelde accupacks en opladers.

### Voor de eerste ingebruikname volledig opladen

#### Installeren

Breng de geleiders van de accu overeen met de montageleuven en druk het accupack naar beneden totdat u “klik” hoort (afb. K).

#### Verwijderen

Druk de accuvrijgaveknop naar beneden en trek het accupack eruit zoals weergegeven in afb. L.

L-1	Accuvrijgaveknop
-----	------------------

### DE GRASTRIMMER VASTHOUDEN

Voor een veilig en beter gebruik draagt u de schouderriem over de schouder zoals weergegeven in afb. N. Stel de schouderriem in zodat u een prettige gebruikssituatie heeft. Houd de grastrimmer met beide handen vast: Één hand op de achterste handgreep en de andere op de voorste handgreep.

**OPMERKING:** De snijkop bevindt zich parallel tot de grond op een geschikte snijafstand zonder dat de bediener naar voren moet bukken (afb. N).

Er bestaan twee mogelijkheden om de riem los te maken. Haal hem direct van de schouder (afb. O) of druk de haak van de riem en haal hem van het schouderriem bevestigings oog op de as (afb. P).

**⚠ WAARSCHUWING:** De schouderriem heeft ook een snelontspanningsmechanisme voor in gevaarlijke situaties. Als er sprake is van een noodgeval, haalt u hem direct van de schouder, ongeacht hoe de riem zit.

### DE GRASTRIMMER STARTEN/STOPPEN (afb. M)

#### Starten

Duw de ontgrendelingshendel omlaag en schakel vervolgens de schakelaar in. Het veranderen van de druk op de schakelaar heeft een variabele rotatiesnelheid van de snijdraad tot gevolg. Meer druk betekent een hogere snelheid.

#### Stoppen

Laat de schakelaar los.

**OPMERKING:** De motor draait alleen wanneer de vergrendelingsknop en schakelaar beiden gedrukt worden.

### Functie voor het instellen van de snelheid (afb. M)

De grastrimmer bezit twee snelheden. Positie “1” is de lage snelheid terwijl positie “2” de hoge snelheid is.

M-1	Hoog-/laag snelheidsschakelaar
M-2	Vergrendelingsknop
M-3	Schakelaar

### DE GRASTRIMMER GEBRUIKEN

Voor gebruik, verwijder alle mogelijke obstakels uit de te maaien zone. Verwijder voorwerpen zoals stenen, gebroken glas, spijkers, draad of koorden, die opgegooid kunnen worden of in het snijelement terecht kunnen komen. Zorg dat er zich geen kinderen, omstanders of huisdieren in de omgeving bevinden. Houd kinderen, omstanders en huisdieren op een afstand van minstens 15 m; er is nog altijd risico op het wegslingeren van voorwerpen richting omstanders. Omstanders worden aangespoord om oogbescherming te dragen. Als iemand in de buurt komt, stop de motor en het snijelement dan onmiddellijk.

#### Controleer voor elk gebruik op beschadigde/versleten onderdelen

Controleer de aantikop, scherm en voorste handgreep en vervang de onderdelen die gebarsten, scheef getrokken, gebogen of beschadigd zijn.

Het mes voor het snijden van de draad op de rand van het scherm kan na verloop van tijd bot worden. Het is aanbevolen om het mes regelmatig met een vijl te slijpen of door een nieuw mes te vervangen.

**⚠ WAARSCHUWING:** Draag altijd handschoenen wanneer u het scherm monteert of vervangt of het mes voor het snijden van de snijdraad slijpt of vervangt. Let op de positie van het mes op het scherm zodat u geen letsel aan de handen oploopt.

## Controleer op blokkeringen van de trimmerkop

- Houd de trimmerkop schoon om blokkeringen te voorkomen. Verwijder gemaaid gras, bladeren, vuil en ander opgehoopt vuil voor en na elk gebruik.
- Als er een blokkering optreedt, stopt u de trimmer en verwijderd u de accu. Verwijder vervolgens al het gras dat zich mogelijk rond de motoras of de trimmerkop heeft gewikkeld.

## Maak de trimmer na elk gebruik schoon.

### DE LENGTE VAN DE SNIJDRAAD AANPASSEN

NL

De snijkop stelt de bediener in staat om meer snijdraad vrij te geven zonder de motor te moeten stoppen. Als de draad uitgerafeld of versleten raakt, geef extra draad vrij door de snijkop tijdens gebruik van de trimmer voorzichtig tegen de grond te tikken (afb. Q).

**OPMERKING:** Het vrijgeven van draad wordt moeilijker naarmate de draad korter wordt.

**⚠ WAARSCHUWING:** Verwijder of pas de draadsnijder niet aan. Een te lange snijdraad zal de motor oververhitten wat tot ernstig persoonlijk letsel kan leiden.

### DE DRAAD VERVANGEN

**OPMERKING:** Gebruik de geadviseerde nylon snijdraad met een diameter van niet meer dan 2,4 mm. Het gebruik van een andere dan de aanbevolen draad kan leiden tot oververhitting of schade aan de grastrimmer.

**⚠ WAARSCHUWING:** Gebruik nooit een met metaal versterkte draad, kabel of koord etc. Deze kunnen afbreken en een gevaarlijk projectiel worden.

1. Het accupack verwijderen.
2. Verwijder indien nodig de overgebleven snijdraad.
3. Snij 4m af van de snijdraad en steek de draad in het bevestigingsgat in het oogje (afb. R). Druk en trek de draad van de andere kant totdat aan beide zijden van de spoel evenveel draad is.
4. Druk, terwijl u de gemonteerde onderste afdekking in de richting van de pijl draait, om de draad op de spoel te draaien totdat ongeveer 14 cm van de draad aan iedere kant uitsteekt (afb. S).
5. Druk de gemonteerde onderste afdekking naar beneden terwijl u met de hand aan de draden trekt om de draden naar voren te halen en om te kijken of de snijkop goed zit.

Als de draad aan de uitgang breekt of als de draad niet verder loopt of vast zit in de trimmerkop, dient u de volgende stappen uit te voeren:

1. Druk op de ontgrendelingsknoppen op de bovenste

afdekking en verwijder de gemonteerde onderste afdekking door deze recht eruit te trekken (afb. T & U).

2. Verwijder de snijdraad van de spoel.
3. Terwijl u met één hand de gemonteerde onderste afdekking vasthoudt, gebruik u de andere hand om de gemonteerde onderste afdekking vast te pakken en de lipjes op de bovenste afdekking in een lijn te brengen met de gemonteerde onderste afdekking (afb. V); Gebruik uw handpalm om de gemonteerde onderste afdekking in te drukken totdat de lipjes in de bovenste afdekking grijpen.
4. Volg de instructies in "DE DRAAD VERVANGEN" om een nieuwe snijdraad te plaatsen.

### 3 - MES MET 3 SNIJBLADEN VERVANGEN

**OPMERKING:** Om verwondingen te voorkomen, moet u handschoenen dragen voordat u met het mes met 3 tanden werkt.

1. Verwijder de onderste afdekking zoals weergegeven in afb. T & U
2. Plaats de stabilisator en gebruik vervolgens een steeksleutel om de moer los te maken zoals weergegeven in afb. X1 & X2.
3. Verwijder alle onderdelen behalve de binnenste flens en moer (afb. X3), monteer het mes op de motorschacht zoals weergegeven in afb. X4.
4. Draai het mes vast zoals weergegeven in afb. X5.

**⚠ WAARSCHUWING:** Gebruik bij het snoeien van jonge stammen of andere houtachtige materialen met een diameter tot 2 cm, de linkerkant van het mes om te voorkomen dat het mes in een bepaalde richting duwt. Probeer geen houtachtig materiaal met een grotere diameter te snijden, aangezien het mes vast kan raken of de bosmaaier naar voren kan trekken. Dit kan leiden tot schade aan het mes of de bosmaaier of verlies van controle over de bosmaaier, met persoonlijk letsel tot gevolg.

**OPMERKING:** Slijp het mes regelmatig bij (wanneer het merkbaar bot is geworden) en laat het indien nodig uitbalanceren (uitgevoerd door een gekwalificeerde servicemonteur).

## ONDERHOUD

**⚠ WAARSCHUWING:** Bij reparatie, gebruik uitsluitend identieke reserve-onderdelen. Controleer en onderhoud het gereedschap regelmatig. Laat alle reparaties uitvoeren door een vakbekwame reparateur om een continue veiligheid en betrouwbaarheid te waarborgen.

**⚠ WAARSCHUWING:** Om ernstig persoonlijk letsel te voorkomen, haal het accupack uit het gereedschap voor onderhoud, reiniging, het wijzigen van accessoires of het verwijderen van materiaal.

**⚠ OPGELET:** Belemmeringen in de ventilatieopeningen beletten de aanvoer van lucht in de motorbehuizing. Dit kan oververhitting of schade aan de motor veroorzaken.

### HET APPARAAT SCHOONMAKEN

- Maak het apparaat schoon met een vochtige doek en mild schoonmaakmiddel. Zorg dat er geen vloeistof het gereedschap binnendringt. Dompel nooit een deel van het gereedschap in een vloeistof.
- Maak de kunststof behuizing of handgreep niet schoon met een agressief schoonmaakmiddel. Deze kunnen door bepaalde aromatische oliën, zoals pijnboom en citroen, en oplosmiddelen, zoals kerosine, worden beschadigd. Vocht kan risico op elektrische schokken met zich meebrengen. Veeg eventueel vocht weg met een zachte en droge doek.
- Maak de ventilatieopeningen van het achterste gedeelte van de behuizing schoon met een kleine borstel of een stofzuiger met een kleine borstel.
- Houd de luchtopeningen in de motorbehuizing op elk moment vrij van vuil.

### SMEREN VAN DE VERSNELLING

De versnelling in de versnellingsbak dient regelmatig met smeervet voor versnellingen te worden gevet. Controleer het vetniveau van de versnellingsbak ongeveer alle 50 uur van gebruik door de vergrendelschroef aan de zijkant van de bak te verwijderen.

Als u geen vet meer ziet aan de flanken van de versnelling, dient u de onderstaande stappen te volgen voor het tot 3/4 bijvullen van het vet. Vul de versnellingen niet helemaal.

1. Houd de grastrimmer op zijn zijkant zodat de verzegelingschroef naar boven is gericht (afb. W).
2. Gebruik de meegeleverde multifunctionele sleutel en verwijder de vergrendelschroef.
3. Gebruik een vetspuit (niet inbegrepen) om een beetje vet in het schroefgat te spuiten; niet meer dan 3/4 van de capaciteit vullen.
4. Maak de vergrendelschroef na het injecteren weer vast.

### HET APPARAAT OPBERGEN

- Verwijder het accupack van de grastrimmer wanneer u

hem niet gebruikt.

- Maak het gereedschap grondig schoon voordat u het opbergt.
- Berg het apparaat op in een droge, goed geventileerde en afsluitbare ruimte of op een hoge hoogte en buiten het bereik van kinderen. Berg het gereedschap niet op in de buurt van meststoffen, benzine of andere chemicaliën.
- Gebruik van de messchede op het mes met 3 tanden tijdens transport en opslag.

### Het milieu beschermen



Gooi geen elektrische apparatuur, gebruikte batterijen en laders weg via het huishoudelijk afval! Geef dit product af bij een geautoriseerd recyclingbedrijf en zorg dat het apart kan worden ingezameld. Elektrisch gereedschap moet worden afgegeven voor een milieuvriendelijke recycling.

**NL**

## PROBLEEMOPLOSSING

NL

PROBLEEM	OORZAAK	OPLOSSING
De grastrimmer start niet.	<ul style="list-style-type: none"> <li>■ Het accupack is niet met de grastrimmer verbonden.</li> <li>■ Er is geen elektrisch contact tussen de grastrimmer en accu.</li> <li>■ Het accupack is uitgeput.</li> <li>■ De vergrendelingsknop en schakelaar worden niet gelijktijdig ingedrukt.</li> </ul>	<ul style="list-style-type: none"> <li>■ Verbind het accupack met de grastrimmer.</li> <li>■ Verwijder de accu, controleer de contacten en bevestig het accupack weer.</li> <li>■ Laad het accupack op.</li> <li>■ Om de grastrimmer te starten, duw de vergrendelingsknop omlaag en houd op deze positie. Duw vervolgens de schakelaar in.</li> </ul>
De grastrimmer stopt tijdens het maaien.	<ul style="list-style-type: none"> <li>■ De bescherming is niet op de grastrimmer gemonteerd waardoor de snijdraad te lang is en de motor oververhit raakt.</li> <li>■ Er wordt zware snijdraad gebruikt.</li> <li>■ De motoras of snijkop zit vol met gras.</li> <li>■ De motor is overbelast.</li> <li>■ Het accupack of de grastrimmer is te heet.</li> <li>■ Het accupack is niet met het gereedschap verbonden.</li> <li>■ Het accupack is uitgeput.</li> </ul>	<ul style="list-style-type: none"> <li>■ Verwijder het accupack en monteer de bescherming op de trimmer.</li> <li>■ Gebruik de geadviseerde nylon snijdraad met een diameter van niet meer dan 2,4 mm.</li> <li>■ Stop de grastrimmer, haal het accupack uit en verwijder het gras van de motoras en snijkop.</li> <li>■ Verwijder het gras uit de snijkop. De motor werkt opnieuw zodra het gras is verwijderd. Beweeg de snijkop tijdens het maaien in en uit het gras en verwijder niet meer dan 20 cm gras in één maaibeurt.</li> <li>■ Laat het accupack of de trimmer afkoelen totdat de temperatuur lager dan 67°C is.</li> <li>■ Installeer het accupack opnieuw.</li> <li>■ Laad het accupack op.</li> </ul>
De draad wordt niet door de snijkop vrijgegeven.	<ul style="list-style-type: none"> <li>■ De motoras of snijkop zit vol met gras.</li> <li>■ Er is onvoldoende draad op de spoel.</li> <li>■ De snijkop is vuil.</li> <li>■ De draad is verstrikt geraakt op de spoel.</li> <li>■ De draad is te kort.</li> </ul>	<ul style="list-style-type: none"> <li>■ Stop de grastrimmer, verwijder de accu en reinig de motoras en snijkop.</li> <li>■ Verwijder de accu en vervang de snijdraad volgens de sectie "DE DRAAD VERVANGEN" in deze handleiding.</li> <li>■ Verwijder de accu van de snijkop.</li> <li>■ Verwijder de accu en verwijder de snijdraad van de snijkop en wikkel op, zoals beschreven in het gedeelte "DE SNIJDRAAD VERVANGEN" in deze handleiding.</li> <li>■ Verwijder het accupack en trek eventjes aan de draden terwijl de snijkop afwisselend wordt ingedruwd en losgelaten.</li> </ul>



PROBLEEM	OORZAAK	OPLOSSING
Gras wordt om de snijkop en motorbehuizing gewikkeld.	<ul style="list-style-type: none"><li>■ Lang gras wordt op grondniveau gemaaid.</li></ul>	<ul style="list-style-type: none"><li>■ Maai lang gras van boven naar onder en verwijder niet meer dan 20 cm per maaibeurt om omwikkeling te voorkomen.</li></ul>
Scheuren op de snijkop of de gemonteerde onderste afdekking laat los van de bovenste afdekking.	<ul style="list-style-type: none"><li>■ De snijkop is versleten.</li></ul>	<ul style="list-style-type: none"><li>■ Vervang de snijkop direct. Laat dit door een gekwalificeerde servicemonteur uitvoeren.</li></ul>

NL

## GARANTIE

### EGO GARANTIEBELEID

Bezoek alstublieft de website [egopowerplus.eu](http://egopowerplus.eu) voor de volledige voorwaarden van het EGO garantiebeleid.

**LÆS ALLE ANVISNINGER!****LÆS BRUGERVEJLEDNINGEN****DK**

Sikkerhedsadvarsel



Wear Eye Protection



Brug ikke metalknive



Afstanden mellem apparatet og omkringstående skal være mindst 15 meter.



Snordiameter - diameteren af nylontrimmersnoren



Dette produkt er i overensstemmelse med gældende EU-direktiver.



Elektriske affaldsprodukter må ikke bortskaffes sammen med husholdningsaffald. Tag det til en godkendt genbrugsplads.

V Spænding

.../min Per minut

kg Kg

**SIKKERHEDSSYMBOLER**

**⚠ ADVARSEL:** Når elværktøjer bruges, er der altid en risiko for at genstande slynges ind i øjnene, som kan føre til alvorlige øjenskader. Inden du begynder elværktøj drift, altid bære beskyttelsesbriller eller sikkerhedsbriller med side skjolde og en fuld ansigtsmaske når det er nødvendigt. Vi anbefaler en Wide Vision Safety Maske til brug over briller eller standard sikkerhedsbriller med sideskærme.



Læs og forstå brugsanvisningen



Brug høreværn



Pas på kastede genstande



Afbryd batteriet før vedligeholdelse



Bredde - græstrimmerens maks. klippebredde



Dette produkt overholder gældende britisk lovgivning.



Garanteret lydniveau. Støjemission til miljøet opfylder EF-direktivet.

 $n_0$ 

Hastighed uden belastning - Drejhastighed, uden belastning



Jævnstrøm (DC)

IPX4

Beskyttelse mod vandsprøjt

## SPECIFIKATIONER

	Trimmerhoved	3-tænderblad
Spænding	56 V	56 V
Anbefalet driftstemperatur:	0-40 °C	
Anbefalet opbevaringstemperatur:	-20°C-70°C	
Optimal opladning Temperatur	5°C-40°C	
Hastighed ubelastet	5000/6000 min <sup>-1</sup>	5000/6000 min <sup>-1</sup>
Type trimmersnor	2,4 mm	/
Skærklinge	/	ABB1203
Trimmebredde	38 cm	30cm
Vægt (uden batteri)	4,21 kg	4,45 kg
Målt lydeffektniveau L <sub>WA</sub>	94,6 dB(A) K=1,8 dB(A)	96,5 dB(A) K=1,88 dB(A)
Lydtryk ved brugers øre L <sub>PA</sub>	81,7 dB(A) K=2,5 dB(A)	76,5 dB(A) K=3 dB(A)
Garanteret lydeffekt L <sub>WA</sub> (i henhold til 2000/14/EF)	96 dB(A)	98 dB(A)
Vibration a <sub>h</sub>	Forreste hjælpehåndtag	3,2 m/s <sup>2</sup> K=1,5 m/s <sup>2</sup>
	Bageste håndtag	2,3 m/s <sup>2</sup> K=1,5 m/s <sup>2</sup>

- Den deklarerede vibrationer samlede værdi er målt i overensstemmelse med en standard testmetode og kan anvendes til at sammenligne et værktøj med et andet;
- Den samlede angivne værdi for vibrationer kan også anvendes ved en foreløbig vurdering af eksponeringen.

**BEMÆRK:** vibrationer emission ved faktisk brug af elværktøjet kan afvige fra den angivne værdi, hvor værktøjet anvendes; For at beskytte operatøren, bør brugeren bære handsker og høreværn i de faktiske brugsforhold.

## BESKRIVELSE

### KEND DIN GRÆSTRIMMER (fig. A1)

1. Spærring
2. Startknap

3. Bageste håndtag
4. Luftindtag
5. Låseknap
6. Vælger for høj/lav hastighed
7. Krog til montering af skulderrem
8. Justérbart forreste hjælpehåndtag
9. Skulderstrop
10. Multifunktions-skruenøgle
11. Unbrakonøgle
12. Trimmerhoved (fjederhoved)
13. Trimmersnor
14. Udløsertap
15. Kniv til afskæring af snor
16. Kappe
17. Udløsermekanisme
18. Elektriske kontakter
19. Lås
20. Gummibeskyttere
21. Knap til frigørelse af batteri
22. Stang til sikkerhedsafskærmning (kun ved brug af buskrydderhovedet)
23. Låsepal til stang til sikkerhedsafskærmning (kun ved brug af buskrydderhovedet)
24. Ydre flange (kun ved brug af buskrydderhovedet)
25. Møtrik (kun ved brug af buskrydderhovedet)
26. Skrue (kun ved brug af buskrydderhovedet)

DK

## PAKKELISTE

RESERVEDELENS NAVN	ANTAL
Græstrimmer	1
Kappe	1
Montage af forreste hjælpehåndtag	1
Unbrakonøgle	1
Multifunktions-skruenøgle	1
Skulderstrop	1
Brugsvejledning	1
Låsepal	1
Ydre flange	1
Møtrik	1
skrue	2

## SAMLING

**ADVARSEL:** Hvis der er dele, der er beskadigede eller mangler, anvendes apparatet ikke, før delene er

udskiftet. Brug af dette produkt med beskadigede eller manglende dele kan medføre alvorlig personskade.

**⚠ ADVARSEL:** Forsøg ikke at ændre dette produkt eller fremstille tilbehør, der ikke anbefales til brug med denne kantklipper. Enhver sådan ændring eller modifikation er misbrug og kan resultere i en farlig situation og føre til eventuel alvorlig personskade.

**⚠ ADVARSEL:** For at forebygge utilsigtet start, der kan forårsage alvorlige personskader, skal batteripakken altid tages ud af maskinen, når delene sættes på.

**⚠ ADVARSEL:** Når buskrydderhovedet sættes på maskinen, skal beskyttelsesbøjlen sættes på.

DK

## MONTERING AF SKÆRMEN

**⚠ ADVARSEL:** Brug altid handsker ved montering eller udskiftning af skærmen. Vær forsigtig med klingene og skærmen, og undgå at skære dig på hånden.

**⚠ ADVARSEL:** NBrug aldrig maskinen uden skærmen solidt på plads. Skærmen skal altid være på værktøjet for at beskytte brugeren! Når skærmen sættes på, må du aldrig prøve at fjerne eller tilpasse den. Hvis den skal skiftes, skal det gøres af en kvalificeret servicetekniker!

1. Løsn og fjern de to skruer fra kappen (fig. B).
2. Flugt kappens monteringshuller med enhedens huller; sæt derefter kappen fast på skaffets nederkant med de to skruer sammen med to fjederskiver (fig. C).

**BEMÆRK:** Sørg for, at kappen sidder som på fig. B og C. Hvis monteringen gøres omvendt kan det forårsage stor fare!

## MONTERING OG JUSTERING AF FORRESTE HJÆLPEHÅNDTAG

1. Løsn låsepalen i det forreste hjælpehåndtag, og fjern låsepalen og vingemøtrikken fra det forreste hjælpehåndtag (fig. D).

**BEMÆRK:** Monter stangen til sikkerhedsafskærmning på bøjlehåndtaget med de to skruer, når værktøjet er udstyret med buskrydderhoved.

**BEMÆRK:** Der er to typer låsepal, den korteste er til trimmerhovedet.. Den længste er til buskrydderhovedet. Vær omhyggelig med at vælge den rigtige låsepal ved brug af værktøjet.

D-1	Forreste støttehåndtag	D-4	Stang til sikkerhedsafskærmning (kun ved brug af buskrydderhovedet)
-----	------------------------	-----	---

D-2	Klemmeklods	D-5	Låsepal
D-3	Vingemøtrik		

2. Forhåndtaget skubbes på skaffet foran spærreringen. Anbring det aldrig i området mellem spærreringen og bagerste håndtag (fig. E).
3. Indsæt klemmeklods i noten i håndtaget (fig. F).
4. Monter låsepalen, og spænd let til med vingemøtrikken. Sørg for at forreste hjælpehåndtag vender opad og peger mod toppen af det bagerste håndtag (fig. G).
5. Justér forreste hjælpehåndtag mellem spærreringen og etiketten, så din forreste arm er strakt, når du arbejder (fig. H).
6. Lås grebet på låsepalen. (fig. I).

**⚠ WARNING:** Værktøjet kan ikke bruges, uden at det forreste hjælpehåndtag sidder godt fast.

## MONTERING AF SKULDERSTROP

For at produktet skal være sikkert og behageligt at bruge, skal du bruge remmen over skuldren og bag om ryggen.

1. Tryk på stropens krog for at åbne den, og fastgør den på hagen til monteringen af skulderrem (fig. J).
2. Juster skulderremmenes længde og placering, så den er behagelig at have på - hold trimmeren med begge hænder med den ene hånd på baghåndtaget og den anden hånd på forhåndtaget.

**⚠ ADVARSEL:** Når der opstår en fare, så tag den straks af skulderen, uanset hvordan remmen er sat på.

Du må ikke bruge den ene skulderstrop og dobbelt-skulderstroppen på samme tid.

Når du bruger remmen, må ingen andre bærebare ting forstyrre frigørelsen og fjernelse af remmen.

## BETJENING

**⚠ ADVARSEL:** Bær altid beskyttelsesbriller eller sikkerhedsbriller med sidebeskyttelse samt høreværn. Hvis disse ikke bruges, kan du få genstande slyngt i øjnene, og der kan også opstå andre alvorlige skader.

Du kan bruge dette produkt til de formål, der er nævnt nedenfor:

**Trimning:** anvendes til at fjerne græs og ukrudt op mod vægge, hegn, træer og skel.

**Klipning:** anvendes til at klippe græs, der er svært at nå med en almindelig plæneklipper.



**BEMÆRK:** Værktøjet må kun bruges til dets tilsigtede formål. Enhver anden anvendelse, f.eks. kantrimning, anses for at være et tilfælde af fejlbrug.

### PÅSÆTNING / AFTAGNING BATTERIPAKKEN

Produktet må kun bruges med batteripakkerne og opladere, der står på listen i fig. A2.

### Fuld opladning før første brug

#### Påsætning

Flugt batteriets ribber med monteringsnoterne, og tryk batteriet ned, indtil du hører et "klik" (fig. K).

#### Aftagning

Tryk på knappen til batteriudløseren, og træk batteriet ud som vist på fig. L.

L-1	Knap til frigørelse af batteri
-----	--------------------------------

### SÅDAN HOLDES GRÆSTRIMMEREN

For sikker og bedre betjening tages skulderremmen hen over skulderen som fig. P. Justér skulderstroppen til en behagelig arbejdsstilling. Hold trimmeren med begge hænder: Den ene hånd på det bageste håndtag og den anden på hjælpehåndtaget.

**BEMÆRK:** Trimmerens hoved skal være parallelt med jorden i korrekt trimmeafstand, uden at operatøren læner sig fremover (fig. N).

Der er to måder at løsne remmen. Tag den direkte af skulderen (Fig. O), eller tryk på stroppens krog, og tag den af hagen til montering af skulderrem, der sidder fast på skaftet (Fig. P).

**⚠ ADVARSEL:** Skulderstroppen er også en mekanisme til hurtig frigørelse i farlige situationer. Når der opstår en fare, så tag den straks af skulderen, uanset hvordan stroppen er sat på.

### START/STOP AF GRÆSTRIMMEREN (fig. M)

#### Sådan startes motorsaven

Tryk ned på låsehåndtaget, og tryk derefter på startknappen. Forskellige tryk på startknappen giver forskellige rotationshastigheder for trimmersnoren. Jo større tryk, jo højere hastighed.

#### Sådan stoppes motorsaven

Slip udløseren.

**BEMÆRK:** Motoren kører kun, når låseknappen og startknappen begge er trykket ned.

### Hastighedsjustering (fig. M)

Græstrimmeren har to hastigheder. Stilling "1" er lav hastighed, stilling "2" er høj hastighed.

M-1	Vælger for høj/lav hastighed
M-2	Låseknop
M-3	Startknop

### BRUG AF GRÆSTRIMMEREN

Ryd op i området, hvor der skal klippes, før hver brug. Fjern alle genstande, såsom sten, glasskår, søm, tråd, eller linje, der kan slynges eller blive viklet ind i trimmerdelen. Få børn, tilskuere og kæledyr væk fra området. Hold alle børn, omkringstående og kæledyr mindst 15 m væk. Tilskuere kan stadig være i fare for at blive ramt af genstande, der slynges ud. Omkringstående bør opfordres til at bære øjenbeskyttelse. Hvis nogen nærmer sig, så stop straks motoren og trimmerdelen.

### Før hver anvendelse undersøg for skader / slidte dele

Tjek fjederhoved, kappe og fronthjælpehåndtag, og udskift de dele, der er revnede, skæve, bøje eller beskadigede på nogen måde.

Snorkniven på kanten af kappen bliver med tiden sløv. Det anbefales regelmæssigt at slibe den med en fil eller udskifte den med en ny kniv.

**⚠ ADVARSEL:** Brug altid handsker når skærmen sættes på eller skiftes, og når kniven slibes eller skiftes. Vær forsigtig med kniven på kappen, og beskyt hænderne mod at blive skåret.

### Se, om trimmerhovedet er tilstoppet

- Hold trimmerhovedet rent, så det ikke tilstoppes. Fjern græs, blade, jord og andet ophobet skidt før og efter hver brug.
- Hvis det tilstoppes, skal du stoppe kantklipperen og tage batteriet ud. Fjern derefter alt græs, der har viklet sig rundt om motorakslen eller trimmerhovedet.

### Efter hver brug rengøres trimmeren.

### JUSTERING AF TRIMMERSNORENS LÆNGDE

Trimmeren giver operatøren mulighed for at frigive mere trimmersnor uden at stoppe motoren. Efterhånden som snoren bliver flosset eller slidt, kan man frigive ekstra snor ved at trykke fjederhovedet let mod jorden, mens trimmeren kører (fig. Q).

**BEMÆRK:** Frigivelse af snor bliver vanskeligere, når trimmersnoren bliver kortere.

DK

**⚠ ADVARSEL:** Du må ikke fjerne snorkniven eller ændre på den enhed, hvor den sidder. For lang snor vil få motoren til at overophede og kan give i alvorlig personskade.

## UDSKIFTNING AF SNOR

**BEMÆRK:** Brug standard anbefalet trimmersnor af nylon med en diameter på højst 2,4 mm. Brug af snor med anden diameter kan medføre, at græstrimmeren bliver overophedet eller beskadiget.

**⚠ ADVARSEL:** Brug aldrig metalforstærket snor, ståltråd eller reb osv. Disse kan brække af og blive farlige projektiler.

1. Fjern batteripakken.
2. Fjern resterende trimmersnor, hvis nødvendigt.
3. Skær 4 meter lang klippesnor. Sæt snoren ind i monteringshullet i øjenhullet (fig. R). Skub og træk snoren fra den anden side, indtil der sidder lige meget snor på begge sider af spolen.
4. Tryk, mens du roterer det nederste dæksel i pilens retning, for et vinde snoren op på spolen, indtil der stikker ca. 14 cm snor ud på hver side (fig. S).
5. Tryk den nedre dækselsamling nedad, mens der trækkes i snorene, for manuelt at trække snor ud og for at kontrollere for korrekt montering af trimmerhovedet.

Hvis trimmersnoren springer ved udgangsojet, eller hvis snoren ikke frigives, når trimmerens hoved trykkes mod jorden, følges trinene nedenfor:

1. Tryk på de to løsetappe på det øverste dæksel, og fjern det nederste dæksel ved at trække den lige ud (fig. T og U).
2. Fjern trimmersnoren fra spolen.
3. Hold det øvre beslag med den ene hånd, og hold den nedre beslagsamling med den anden hånd. Hold tappene på det øvre beslag mod hullerne på det nedre beslag (fig. V). Brug håndfladen til at trykke på det nedre dæksel, indtil tappene låses fast med det øvre beslag.
4. Følg vejledningen i "UDSKIFTNING AF SNOR", når der skal fyldes mere trimmersnor i.

## UDSKIFTNING AF KLINGEN MED 3 TÆNDER

**BEMÆRK:** For at beskytte mod personskader, skal du bruge handsker før al drift med 3 tands-klingen.

1. Fjern den nedre dækselsamling, som vist i fig. T og U
2. Sæt stabilisatoren i, og brug derefter spændenøgle til

at løse møtrikken, som vist i fig. X1 og X2.

3. Fjern alle dele, undtagen den indre flange og møtrik (fig. X3). Monter klingen på motorakslen, som vist i fig. X4.
4. Spænd klingen, som vist i fig. X5.

**⚠ ADVARSEL:** Når der rykkes unge bevoksninger eller andet træagtigt op til 2 centimeters tykkelse, bruges venstre side af kniven for at undgå ryk i kniven. Forsøg ikke at skære træagtige vækster, der er tykkere, da kniven kan sætte sig fast, eller buskrydderen kan give et kraftigt ryk. Dette kan beskadige kniven eller buskrydderen, eller man kan miste kontrollen over buskrydderen med personskade til følge.

**BEMÆRK:** Klinge skal regelmæssigt slibes (når den er blevet mærkbart sløv), og få den afbalanceret, hvis nødvendigt (skal gøres på et kvalificeret værksted).

## VEDLIGEHOLDELSE

**⚠ ADVARSEL:** Ved service må der kun bruges originale reservedele. Efterse og vedligehold apparatet regelmæssigt. For at sikre sikkerhed og pålidelighed, bør alle reparationer udføres af en kvalificeret servicetekniker.

**⚠ ADVARSEL:** For at undgå alvorlig personskade fjernes batteripakken fra værktøjet før service, rengøring, udskiftning af påmonteringer, eller før der fjernes materiale fra apparatet.

**⚠ ADVARSEL:** Forhindringer i ventilationsåbningerne forhindrer luften i at komme ind i motorhuset og forårsager overophedning eller beskadigelse af motoren.

## RENGØRING AF APPARATET

- Rengør apparatet med en fugtig klud med et mildt rengøringsmiddel. Lad aldrig væsker komme ind i værktøjet, nedsænk det aldrig i nogen form for væske.
- Brug ikke stærke rengøringsmidler på plastkabinettet eller -håndtaget. De kan tage skade af visse aromatiske olier, såsom fyr og citron, og opløsningsmidler såsom petroleum. Fugt kan også give elektrisk stød. Tør al fugt af med en blød tør klud.
- Brug en lille børste eller luftaftrækket på en lille støvsugerbørste til at rengøre lufthullerne for forhindringer på det bageste hus.
- Hold altid lufthuller i motorhuset fri for snavs og skidt.

## TRANSMISSIONSGEARENES SMØRING

Transmissionsgearene i gearkassen skal smøres regelmæssigt med gearfedt. Kontrollér oliestanden i

gearkassen for hver ca. 50 timers drift ved at fjerne tætningskrue på siden af gearkassen.

Hvis der ikke er fedt på siderne af gearet, skal du følge trinnene nedenfor og fylde 3/4 op med fedt. Fyld ikke transmissionsgearene helt op.

1. Læg græstrimmeren på siden, så låseskruen vender opad (Fig. W).
2. Brug multifunktions-skruenøglen til at løsne og fjerne låseskruen.
3. Brug en fedtsprøjte (medfølger ikke) til at pumpe fedt ind i skruhullet; fyld op til højst 3/4 af kapaciteten.
4. Når der er presset fedt ind, spændes låseskruen.

DK

### OPBEVARING AF APPARATET

- Fjern batteripakken fra græstrimmeren, når den ikke er i brug.
- Rengør værktøjet grundigt, før det lægges væk.
- Opbevar apparatet på et tørt og godt ventileret sted, der er låst og utilgængeligt for børn. Opbevar ikke apparatet på eller ved siden af gødning, benzin eller andre kemikalier.
- Sæt skeden på 3-tands klingens under transport og opbevaring.

### Beskyttelse af miljøet



Elektrisk udstyr, batterioplader og batterier må ikke smides ud sammen med almindelig husholdningsaffald! Tag dette produkt til en autoriseret genbrugsplads, og sørg for at det sendes til genbrug. Elektriske værktøjer skal returneres til et miljøkompatibelt genvindingsanlæg.

## FEJLFINDING

DK

PROBLEM	ÅRSAG	LØSNING
Græstrimmer starter ikke.	<ul style="list-style-type: none"> <li>■ Batteripakken er ikke sat på trimmeren.</li> <li>■ Ingen elektrisk kontakt mellem trimmer og batteri.</li> <li>■ Batteriet er afladet.</li> <li>■ Låseknappen og startknappen er ikke blevet trykket ned samtidigt.</li> </ul>	<ul style="list-style-type: none"> <li>■ Sæt batteripakken på trimmeren.</li> <li>■ Fjern batteriet, kontrollér kontakter, og sæt batteriet på igen.</li> <li>■ Oplad batteripakken.</li> <li>■ Tryk ned på låseknappen ned og hold den, tryk derefter på startknappen for at starte græstrimmeren.</li> </ul>
Græstrimmer stopper, mens der trimmes.	<ul style="list-style-type: none"> <li>■ Kappen er ikke monteret på trimmeren, hvilket resulterer i en alt for lang trimmersnor og overbelastning af motoren.</li> <li>■ Der anvendes kraftig trimmersnor.</li> <li>■ Motoraksel eller trimmerhoved er fyldt med græs.</li> <li>■ Motoren er overbelastet.</li> <li>■ Batteripakken eller græstrimmeren er for varm.</li> <li>■ Batteripakken er taget af værktøjet.</li> <li>■ Batteriet er afladet.</li> </ul>	<ul style="list-style-type: none"> <li>■ Fjern batteripakken, og sæt kappen på trimmeren.</li> <li>■ Brug standard trimmersnor af nylon med en diameter på højst 2,4 mm.</li> <li>■ Stop trimmeren, fjern batteriet, og fjern græs fra motoraksel og trimmerhoved.</li> <li>■ Løft trimmerhovedet op fra græsset. Motoren vil begynde at arbejde igen, så snart belastningen er fjernet. Når der trimmes, flyttes trimmerhovedet ind og ud af græsset, der skal trimmes. Der bør højst fjernes 20 cm ad gangen i et enkelt snit.</li> <li>■ Lad batteripakke eller trimmer køle, indtil temperaturen falder til under 67°C.</li> <li>■ Sæt batteripakken på plads igen.</li> <li>■ Oplad batteripakken.</li> </ul>
Trimmerhoved rykker ikke snoren frem.	<ul style="list-style-type: none"> <li>■ Motoraksel eller trimmerhoved er fyldt med græs.</li> <li>■ Der er ikke tilstrækkeligt med snor på spolen.</li> <li>■ Trimmerhovedet er snavset.</li> <li>■ Snoren er fritret på spolen.</li> <li>■ Snoren er for kort.</li> </ul>	<ul style="list-style-type: none"> <li>■ Stop trimmeren, fjern batteriet, og fjern græs fra motoraksel og trimmerhoved.</li> <li>■ Fjern batteriet, og udskift snoren; se afsnittet "UDSKIFTNING AF SNOR" i denne vejledning.</li> <li>■ Tag batteriet af, og rengør trimmerhovedet.</li> <li>■ Tag batteriet af, tag snoren af trimmerhovedet, og spol den på igen; se afsnittet "GENISÆTNING AF SNOR" i denne vejledning.</li> <li>■ Tag batteriet af og træk i snorene, mens trimmerhovedet skiftevis trykkes ned og slippes.</li> </ul>



PROBLEM	ÅRSAG	LØSNING
Græs er snoet omkring trimmerhoved og motorhus.	<ul style="list-style-type: none"><li>Trimning af højt græs i jordhøjde.</li></ul>	<ul style="list-style-type: none"><li>Klip højt græs oppefra og ned, og tag ikke mere end 20 cm hver gang for at forhindre, at græsset snor sig fast.</li></ul>
Revner på trimmerens hoved eller det nederste dæksel løsner sig fra det øverste dæksel.	<ul style="list-style-type: none"><li>Trimmerhovedet er slidt.</li></ul>	<ul style="list-style-type: none"><li>Udskift straks trimmerhovedet; dette udføres af en kvalificeret servicetekniker.</li></ul>

## GARANTI

DK

### EGO GARANTI POLITIK

Besøg venligst hjemmesiden [egopowerplus.eu](http://egopowerplus.eu) for fuldstændige vilkår og betingelser for EGO's garantipolitik.

**LÄS IGENOM ALLA INSTRUKTIONER!****LÄS IGENOM BRUKSANVISNINGEN****SE**

Säkerhetslarm



Använd ögonskydd



Använd inte metallklingor



Avståndet mellan maskinen och åskådare måste vara minst 15 meter.



Tråddiameter - Diametern för trimmertråden av nylon



Denna produkt är i enlighet med gällande EG-direktiv.



Förbrukade elektriska produkter får inte kastas i hushållssoporna. Lämnas in dem till en auktoriserad återvinningsstation.

V Spänning

.../min Per minut

kg Kilogram

**SÄKERHETSSYMBOLER**

**VARNING:** Användning av något elverktyg kan resultera i att främmande föremål kastas in i dina ögon vilket kan resultera i allvarliga ögonskador. Innan elverktyget börjar användas skall alltid skyddsglasögon eller skyddsglasögon med sidoskydd och full ansiktsskydd användas när så behövs. Vi rekommenderar att en ansiktsmask med brett synfält används ovanpå glasögonen eller standard skyddsglasögon med sidoskydd.



Läs och förstå bruksanvisningen



Använd hörselskydd



Akta dig för ivägslungade objekt



Koppla ifrån batteriet innan underhåll utförs



Max. skärbredd för kantrimmern



Denna produkt uppfyller tillämplig lagstiftning i Storbritannien.



Garanterad ljudeffektivitet. Bulleremissioner för omgivningen enligt EU-direktivet.

n<sub>0</sub> Ingen belastningshastighet - Rotationshastighet utan belastning

≡ Likström

IPX4 Skydd mot stänkande vatten

## SPECIFIKATIONER

	Trimmerhuvud	Skärblad med 3 tänder	
Spänning	56 V	56 V	
Rekommenderad användningstemperatur:	0°C-40°C		
Rekommenderad förvaringstemperatur:	-20°C-70°C		
Optimal laddningstemperatur	5°C-40°C		
Ingen belastningshastighet	5000/6000 min <sup>-1</sup>	5000/6000 min <sup>-1</sup>	
Skärträdens typ	2,4 mm	/	
Skärblad	/	ABB1203	
Skärbredd	38 cm	30cm	
Vikt (utan batteripaket)	4,21 kg	4,45 kg	
Uppmätt ljudeffektnivå L <sub>WA</sub>	94,6 dB(A) K=1,8 dB(A)	96,5 dB(A) K=1,88 dB(A)	
Ljudtrycksnivå vid operatörens öra L <sub>PA</sub>	81,7 dB(A) K=2,5 dB(A)	76,5 dB(A) K=3 dB(A)	
Garanterad ljudeffektnivå L <sub>WA</sub> (enligt 2000/14/EC)	96 dB(A)	98 dB(A)	
Vibration a <sub>h</sub>	Främre handtag	3,2 m/s <sup>2</sup> K=1,5 m/s <sup>2</sup>	2,8 m/s <sup>2</sup> K=1,5 m/s <sup>2</sup>
	Bakre handtag	2,3 m/s <sup>2</sup> K=1,5 m/s <sup>2</sup>	3,1 m/s <sup>2</sup> K=1,5 m/s <sup>2</sup>

- Det deklarerade totala vibrationsvärdet har uppmätts i enlighet med en standardtestmetod och kan användas för att jämföra ett verktyg med ett annat.
- Det deklarerade totala vibrationsvärdet kan också användas i en preliminär utvärdering av exponeringen.

**OBS!** Vibrationsutstrålningen under verklig användning av elverktyg kan skilja sig från det deklarerade värdet i vilken verktyget används. För att skydda användaren skall skyddshandskar och hörselskydd användas under faktiska användningsförhållandet.

## BESKRIVNING

### LÄRA KÄNNA DIN TRÄDTRIMMER (bild A1)

1. Tröskelring
2. Gasreglage
3. Bakre handtag

4. Luftintag
5. Låsknapp
6. Hastighetsreglage hög/låg
7. Axelrem monteringskrok
8. Justerbart främre handtag
9. Axelrem
10. Multifunktionell skiftnyckel
11. Insexnyckel
12. Trimmerhuvud (stöthuvud)
13. Skärtråd
14. Frikopplingsflik
15. Skärblad för trädskapning
16. Skydd
17. Utmatningsmekanism
18. Elektrisk kontakt
19. Spärrhake
20. Gummiskydd
21. Frigöringsknapp för batteriet
22. Skyddsstång (endast för buskskärens huvud)
23. Låsstång för skyddsstång (endast för buskskärens huvud)
24. Yttre fläns (endast för buskskärens huvud)
25. Mutter (endast för buskskärens huvud)
26. Skruvar (endast för buskskärens huvud)

SE

## PACKLISTA

ARTIKELNAMN	KVANTITET
Trädtrimmer	1
Skydd	1
Främre handtagsenhet	1
Insexnyckel	1
Multifunktionell skiftnyckel	1
Axelrem	1
Bruksanvisning	1
Låsstång	1
Yttre fläns	1
Mutter	1
Skruv	2

## MONTERING

**VARNING:** Om någon del är skadad eller saknas skall inte denna produkt användas innan delarna ersatts.

Användning av denna produkt om den är skadad eller saknar delar kan resultera i allvarliga personskador.

**⚠ VARNING:** Försök inte att modifiera denna produkt eller skapa tillbehör som inte rekommenderas för användning med denna trädtrimmer. Alla sådana ändringar eller modifieringar är missbruk och kan resultera i allvarliga situationer som kan leda till allvarliga personskador.

**⚠ VARNING:** För att förhindra oavsiktlig start som kan orsaka allvarliga personskador skall alltid batteripaketet tas bort från verktyget innan delar monteras.

**⚠ VARNING:** När verktyget är utrustat med röjsågens huvud måste skyddsstängningen monteras.

SE

## MONTERA SKYDDET

**⚠ VARNING:** Använd alltid handskar vid montering eller utbyte av skyddet. Var försiktig med röjsågsbladet på skyddet och skydda din hand.

**⚠ VARNING:** Använd aldrig maskinen utan att skyddet är korrekt på plats. Skyddet måste alltid vara monterat på verktyget för att skydda användaren! När skyddet är fastsatt, försök aldrig att ta bort eller justera det, om utbyte krävs måste det utföras av en kvalificerad servicetekniker!

1. Lossa och ta bort de två skruvarna från skyddet (bild B).
2. Rikta in skyddets fästhål med monteringshålen och läs sedan fast skyddet på axelns bas med de två skruvarna tillsammans med två fjäderbrickor (bild C).

**NOTERA:** Säkerställ att skyddet är korrekt fastsatt enligt bild B och C. En omvänd fastsättning är mycket farligt!

## MONTERA OCH JUSTERA DET FRÄME HANDTAGET

1. Lossa låsstängningen i främre handtaget och ta bort låsstängningen och vingmuttern från det främre handtaget (bild D).

**NOTERA:** Installera skyddsstängningen på loop-handtaget med de två skruvarna när verktyget är utrustat med buskskärarens huvud.

**NOTERA:** det finns två typer av låsstäng, den kortare stängningen är för trimmerhuvudet. Den långa stängningen är för buskskärarens huvud. Var noga med att välja korrekt låsstäng vid användning av verktyget.

D-1	Främre handtag	D-4	Skyddsstäng (endast för buskskärarens huvud)
D-2	Klämblock	D-5	Låsstäng
D-3	Vingmutter		

2. Tryck fast fronthandtaget på axeln i fronten av tröskelringen. Placera aldrig det mellan tröskelringen och området för det bakre handtaget (bild E).
3. Sätt in fästblocket i handtagsöppningen (bild F).
4. Montera låsstängningen och dra åt dem i förhand med vingmuttern. Se till att det främre handtaget är riktat uppåt och pekar mot den övre delen på det bakre handtaget (bild G).
5. Justera det främre handtaget mellan tröskelringen och etiketten för att säkerställa att din främre arm är rak vid användning (bild H).
6. Lås spaken för låsstängningen. (Bild I).

**⚠ VARNING:** Verktyget kan inte användas utan att det främre handtaget är korrekt fastsatt.

## MONTERA AXELREMMEN

**För säker och bättre hantering, lägg remmen över ena axeln och över ryggen.**

1. Tryck in remhaken för att öppna den och fästa den på axelremmens monteringskroken (bild J).
2. Justera axelremmens längd och placering till ett bekvämt arbetsläge – håll trimmern med båda händerna: en hand på det bakre handtaget och den andra handen på det främre handtaget.

**⚠ VARNING:** När ett nödläge inträffar, ta omedelbart av den från axeln oavsett vilket läge som remmen är i.

Du bör inte använda en enkel axelrem och dubbel axelrem samtidigt med ryggsäcksbatteriet.

När du bär remmen får ingen annan bärbar enhet störa frigöringen och borttagningen av remmen.

## ANVÄNDNING

**⚠ VARNING:** Använd alltid skyddsglasögon eller skyddsglasögon med sidoskydd tillsammans med hörselskydd. Om inte detta görs så kan allvarliga skador uppstå om föremål kastas i dina ögon eller andra allvarliga skador kan uppstå.

Du kan använda denna produkt för de tillämpningar som listas nedan:

**Trimning:** används för att ta bort gräs och ogräs mot väggar, staket, träd och kanter.

**Beskärning:** används för att kapa gräs som är svårt att komma åt med en vanliga gräsklippare.

**NOTERA:** Verktyget får enbart användas för det föreskrivna ändamålet. All annan användning, t.ex.



häcktrimning, anses vara en felaktig användning.

### FÄST/TA LOSS BATTERIPAKETET

Använd endast med de batteripack och laddare som listas i bild A2.

### Ladda fullt innan första användning

#### Fästa

Rikta in listerna på batteriet med monteringsspåren och tryck sedan ner batteripaketet tills du hör ett "klick" (bild K).

#### Ta bort

Tryck in batterilåsknappen och dra sedan ut batteripaketet enligt bild L.

L-1	Batterilåsknapp
-----	-----------------

### HÅLLA TRÅDTRIMMERN

För en säkrare och bättre användning, ta på dig axelremmen över axeln såsom visas i bild N. Justera axelremmen till en bekväm arbetsställning. Håll trädtrimmern med båda händerna: En hand på det bakre handtaget och den andra handen på det främre handtaget.

**NOTERA:** Trimmerhuvudet är parallellt med marken vid ett lämpligt skäravstånd utan att operatören behöver böja sig (bild N).

Du kan lossa remmen på två sätt. Ta bort den direkt från din axel (bild O) eller tryck på haken på remmen och ta bort den från axelremmens monteringskrok som är fäst på skaftet (bild P).

**⚠ VARNING:** Axelremmen är även en snabb frigöringsmekanism vid en farlig situation. När ett nödläge inträffar, ta omedelbart av den från axeln oavsett vilket läge som remmen är i.

### STARTA/STOPPA TRÅDTRIMMERN (bild M)

#### Starta

Tryck in startspärren och tryck sedan in avtryckaren. När avtryckaren trycks ner olika hårt resulterar det i variabel rotationshastighet för skärtråden. Mer tryck, högre hastighet.

#### Stoppa

Släpp upp avtryckaren.

**NOTERA:** Motorn körs endast när både startspaken och avtryckaren trycks in.

### Hastighetsjustering (bild M)

Trädtrimmern har två olika hastigheter. Läget "1" är för låg hastighet och läget "2" är för hög hastighet.

M-1	Hastighetsreglage hög/låg
M-2	Låsknapp
M-3	Gasreglage

### ANVÄNDA TRÅDTRIMMERN

Rensa området som ska beskäras före varje användning. Ta bort alla objekt som t.ex. stenar, krossat glas, spikar, trådar eller ledningar som kan slungas ut eller trasslas in i skärenheten. Se till att inga barn, åskådare eller husdjur är inom området. Håll alla barn, åskådare och husdjur minst 15 meter bort. Det kan fortfarande finnas en risk att föremål slungas mot åskådare. Uppmana åskådare att använda skyddsglasögon. Om någon närmar sig dig, stoppa omedelbart motorn och skärenheten.

### Kontrollera efter skadade/slitna delar före varje användning.

Kontrollera trådhuvidet, skyddet och det främre handtaget och byt ut delar som är spruckna, skeva, böjda eller skadade på något sätt.

Skärbladet för trädskapning kan bli slött efter en tid. Det rekommenderas att vässa det regelbundet med en fil eller byta ut det mot ett nytt skärblad.

**⚠ VARNING:** Använd alltid handskar när du monterar eller byter ut skyddet, eller när du vässar eller byter ut trädskärbladet. Notera skärbladets placering i skyddet och skydda dina händer från skador.

### Kontrollera om trimmerhuvudet är blockerat

- För att förhindra blockering, håll trimmerhuvudet rent. Ta bort gräsklipp, löv, smuts och allt annat skräp före och efter varje användning.
- När en blockering inträffar, stoppa trädtrimmern och ta bort batteriet, ta sedan bort allt gräs som kan ha lindats runt motoraxeln eller trimmerhuvudet.

### Rengör trimmern efter varje användning.

#### JUSTERA SKÄRTRÅDENS LÄNGD

Trimmerhuvudet låter operatören dra ut mer skärtråd utan att motorn behöver stoppas. När tråden blir fransig eller sliten kan mer tråd frigöras genom att knacka trimmerhuvudet lätt mot marken när trimmern är igång (Q).

**NOTERA:** Tråden blir svårare att mata ut i takt med att skärtråden blir kortare.

SE

**⚠ VARNING:** Ta inte bort eller modifiera skärbladet för tråden. En för lång tråd får motorn att överhettas och kan resultera i allvarliga personskador.

## BYTA UT TRÅDEN

**NOTERA:** Använd alltid rekommenderad nylontråd med en diameter som inte överstiger 2,4 mm. Om en annan skärtråd än den som anges används kan trådtrimmern överhettas eller skadas.

**⚠ VARNING:** Använd aldrig metallförstärkt tråd, kablar eller rep etc. Dessa kan gå av och bli farliga projektiler.

1. Ta ut batteripaketet.
2. Ta bort den återstående skärtråden om så krävs.
3. Klipp till 4 m lång skärtråd, för in tråden i monteringshållet på insidan av hålet (bild R). Tryck in och dra tråden från den andra sidan tills en likvärdig längd visas på spolens båda sidor.
4. Tryck ner och vrid nedre lockmontaget i pilens riktning för att linda in spolen tills cirka 14 cm av tråden visas på vardera sida (bild S).
5. Tryck ner nedre lockmontaget medan tråden dras ut manuellt för att förlänga den och för att kontrollera att trimmerhuvudet är korrekt monterat.

När skärtråden går av från trådutgången eller om skärtråden inte frigörs när trimmerhuvudet knackas lätt, följ stegen nedan:

1. Tryck in flikarna på övre locket och ta bort nedre lockmontaget genom att dra den rakt ut (bild T och U).
2. Ta bort skärtråden från spolen.
3. Håll det nedre lockmontaget med ena handen och använd den andra handen för att ta tag i det nedre lockhandtaget och rikta in flikarna mot hålen i det nedre lockmontaget (bild V); Använd handflatan för att trycka på det nedre lockmontaget tills flikarna låses med det övre locket.
4. Följ instruktionerna i "BYTA TRÅD" för att byta ut skärtråden.

## BYTA UT BLADET MED 3 TÄNDER

**UPPMÄRKSAMMA:** För att skydda dig mot personskador måste du använda handskar före hantering av det tretandade bladet.

1. Ta bort det nedre lockhandtaget enligt bild T och U
2. Sätt in stabiliseringen och använd sedan en slagskruvnyckel för att lossa muttern enligt bild X1 och X2.

3. Ta bort alla delar förutom inre flänsen och muttern (bild X3), montera bladet på motoraxeln enligt bild X4.
4. Dra åt bladet enligt bild X5.

**⚠ VARNING:** Vid trimning av ungskog eller annat träbaserat material med upp till 2 cm diameter, använd trimmerbladets vänstra sida för att förhindra maskinens kastbenägenhet. Försök inte att trimma trämaterial med en större diameter, eftersom trimmerbladet kan fastna eller rycka röjsågen framåt. Detta kan orsaka skada på trimmerbladet eller röjsågen eller innebära att du tappar kontrollen av röjsågen, vilket kan leda till personskador.

**UPPMÄRKSAMMA:** Vässa röjsågsbladet regelbundet (när det är uppenbart slött) och balansera det om nödvändigt (överlåt till en behörig servicetekniker).

## UNDERHÅLL

**⚠ VARNING:** Vid service ska enbart identiska utbyteskomponenter användas. Inspektera och underhåll maskinen regelbundet. För att garantera en säker och pålitlig användning måste alla reparationer utföras av en kvalificerad servicetekniker.

**⚠ VARNING:** För att förhindra allvarliga personskador, ta ut batteripaketet vid service, rengöring, ändring av extratillbehör eller borttagning av material från enheten.

**⚠ FÖRSIKTIGHET:** Om ventilerna blockeras förhindras luften från att flöda in i motorhöljet, vilket kan resultera i överhettning eller skada på motorn.

## RENGÖRA ENHETEN

- Rengör enheten med en fuktad trasa och ett mildt rengöringsmedel. Låt aldrig någon vätska komma in i verktyget; sänk aldrig ner någon del av verktyget i en vätska.
- Använd inte starka rengöringsmedel på plasthöljet eller handtaget. De kan skadas av vissa aromatiska oljor som t.ex. tall och citron, samt av lösningsmedel som t.ex. fotogen. Fukt kan även utgöra en risk för elektriska stötar. Torka bort fukt med en mjuk och torr trasa.
- Använd en liten borste eller rengöringsborsten på en liten dammsugare för att rengöra luftventilerna på det bakre höljet.
- Håll alltid luftventilerna på motorhöljet fria från skräp.

## SMÖRJNING AV VÄXELLÅDAN

Växellådan i växelhuset måste smörjas regelbundet med växellådsolja. Kontrollera växellådans fettnivå efter varje 50 timmars användning genom att ta bort tätningsskruven

på sidan av växelhuset.

Om inget fett kan ses på sidorna av växellådan, följ stegen nedan för att fylla på med växellådsolja upp till 3/4 kapacitet. Fyll inte upp den fullt.

1. Håll trådtrimmern på sidan så att tätningsskruven är riktad uppåt (bild W).
2. Använd den multifunktionella skiftnyckeln (medföljer) för att lossa och ta bort tätningsskruven.
3. Använd en fettspruta (medföljer ej) för att trycka in lite fett i skruvhålet. Överskrid inte 3/4 kapacitet.
4. Dra åt tätningsskruven efter appliceringen.

### FÖRVARA ENHETEN

- Ta ut batteripaketet från trådtrimmern när den inte används.
- Rengör verktyget noga innan förvaring.
- Förvara enheten på en torr, välventilerad plats, inlåst eller högt upp, utom räckhåll för barn. Förvara inte enheten på eller i anslutning till gödningsmedel, bensin eller andra kemikalier.
- Användning av bladhöljet på 3-tandsbladet under transport och förvaring.

SE

### Skydda miljön



Kasta inte elektrisk utrustning, använt batteri och laddare i hushållssoporna! Ta denna produkt till en auktoriserad återvinnare och gör den tillgänglig för separat insamling. Elektriska verktyg måste returneras till en miljöanpassad återvinningsanläggning.

## FELSÖKNING

PROBLEM	ORSAK	LÖSNING
Trädtrimmern startar inte.	<ul style="list-style-type: none"> <li>■ Batteripaketet är inte monterat på trimmern.</li> <li>■ Ingen elektrisk kontakt mellan trimmern och batteriet.</li> <li>■ Batteriet är helt tomt.</li> <li>■ Låsknappen och avtryckaren trycks inte in samtidigt.</li> </ul>	<ul style="list-style-type: none"> <li>■ Montera batteripaketet på trimmern.</li> <li>■ Ta ut batteriet, kontrollera kontakterna och sätt sedan tillbaka batteripaketet.</li> <li>■ Ladda batteripaketet.</li> <li>■ Tryck in låsknappen och håll den nedtryckt, tryck sedan in avtryckaren för att starta trädtrimmern.</li> </ul>
Trädtrimmern stoppas under användning.	<ul style="list-style-type: none"> <li>■ Skyddet är inte monterat på trimmern, vilket resulterar i en för lång skärtråd och överbelastning av motorn.</li> <li>■ Kraftig skärtråd används.</li> <li>■ Motoraxeln eller trimmerhuvudet är intrasslat i gräs.</li> <li>■ Motorn är överbelastad.</li> <li>■ Batteripaketet eller trädtrimmern är för varm.</li> <li>■ Batteripaketet är inte anslutet till verktyget.</li> <li>■ Batteriet är helt tomt.</li> </ul>	<ul style="list-style-type: none"> <li>■ Ta ut batteripaketet och montera skyddet på trimmern.</li> <li>■ Använd rekommenderad nylontråd med en diameter som inte överstiger 2,4 mm.</li> <li>■ Stoppa trimmern, ta ut batteriet och ta bort gräset från motoraxeln och trimmerhuvudet.</li> <li>■ Ta bort trimmerhuvudet från gräset. Motorn fungerar som vanligt när belastningen är borttagen. Vid skärning, för trimmerhuvudet in och ut från gräset som ska klippas och kapa inte mer än 20 cm längd med ett enskilt skär.</li> <li>■ Låt batteripaketet och trimmern svalna tills temperaturen sjunker under 67°C.</li> <li>■ Montera batteripaketet igen.</li> <li>■ Ladda batteripaketet.</li> </ul>
Trimmerhuvudet matar inte ut mer tråd.	<ul style="list-style-type: none"> <li>■ Motoraxeln eller trimmerhuvudet är intrasslat i gräs.</li> <li>■ Det finns inte tillräckligt med tråd på spolen.</li> <li>■ Trimmerhuvudet är smutsigt.</li> <li>■ Tråden är intrasslad i spolhållaren.</li> <li>■ Tråden är alltför kort.</li> </ul>	<ul style="list-style-type: none"> <li>■ Stoppa trimmern, ta ut batteriet och rengör motoraxeln och trimmerhuvudet.</li> <li>■ Ta ut batteriet och byt ut skärtråden; följ instruktionerna i avsnittet "BYTA UT TRÅDEN" i denna bruksanvisning.</li> <li>■ Ta ut batteripaketet och rengör trimmerhuvudet.</li> <li>■ Ta ut batteriet, ta bort tråden från trimmerhuvudet och linda in den igen; följ instruktionerna i avsnittet "LADDA SKÄRTRÅDEN" i denna bruksanvisning.</li> <li>■ Ta ut batteriet och dra i tråden manuellt medan trimmerhuvudet trycks in och släpps upp.</li> </ul>

SE



PROBLEM	ORSAK	LÖSNING
Gräs trasslar in sig runt trimmerhuvudet och motorhöljet.	<ul style="list-style-type: none"><li>■ Skära högt gräs i marknivå.</li></ul>	<ul style="list-style-type: none"><li>■ Skär högt gräs nerifrån och upp, kapa inte mer än 20 cm per svep för att undvika grästrassel.</li></ul>
Sprickor på trimmerhuvudet eller nedre lockmontage lossnar från övre locket.	<ul style="list-style-type: none"><li>■ Trimmerhuvudet är slitet.</li></ul>	<ul style="list-style-type: none"><li>■ Byt omedelbart ut trimmerhuvudet hos en kvalificerad servicetekniker.</li></ul>

## GARANTI

### EGO GARANTIPOLICY

Besök webbsidan [egopowerplus.eu](http://egopowerplus.eu) för fullständiga villkor för EGO garantipolicy.

SE

## LUE KAIKKI OHJEET!



### LUE KÄYTTÖOPAS



Turvallisuushälytys



Käytä silmäsuojaimia



Älä käytä metalliteriä



Koneen ja sivullisten välillä tulisi olla vähintään 15 metrin etäisyys.



Siiman läpimitta – Nailonleikkusiiman läpimitta



Tämä tuote vastaa sovellettavia EU-direktiivejä.



Vanhoja sähkölaitteita ei saa hävittää kotitalousjätteen mukana. Vie laite valtuutettuun kierrätyslaitokseen.

V Jännite

.../min per minuutti

kg Kilogramma

## TURVALLISUUSSYMBOLIT

**VAROITUS:** Minkä tahansa sähkötyökalun käyttö saattaa aiheuttaa vierasesineiden sinkoutumisen silmiin, mikä voi aiheuttaa vakavia silmävammoja. Käytä aina suojalaseja, joissa on sivusuojat, ja tarvittaessa koko kasvot peittävää suojaa, kun käytät sähkötyökaluja. Silmälasien päällä suosimme käyttäväksi suojamaskia, jossa on laaja näkökenttä, tai tavallisia suojalaseja, joissa on sivusuojat.



Lue ja ymmärrä käyttöopas



Käytä kuulosuojaimia



Varo sinkoutuvia kohteita



Irrota akku ennen huoltotoimenpiteitä



Leveys – Siimaleikkurin maks. leikkuleveys



Tämä tuote on Yhdistyneen kuningaskunnan lainsäädännön mukainen.



Taattu äänitehotaso. Melupäästöt ympäristöön Euroopan yhteisön direktiivin mukaiset.

$n_0$  Tyhjäkäyntinopeus – Pyörimisnopeus ilman kuormaa

☰ Tasavirta

IPX4 Suojaus roiskevedeltä

## TEKNISET TIEDOT

	Leikkuupää	3-hampainen terä	
Jännite	56 V	56 V	
Suosittelu käyttölämpötila:	0 °C–40 °C		
Suosittelu säilytyslämpötila:	-20 °C–70 °C		
Ihanteellinen latauslämpötila	5 °C–40 °C		
Tyhjäkäyntinopeus	5000/6000 min <sup>-1</sup>	5000/6000 min <sup>-1</sup>	
Leikkuusiiman tyyppi	2,4 mm	/	
Leikkuuterä	/	ABB1203	
Leikkuuleveys	38 cm	30cm	
Paino (ilman akkua)	4,21 kg	4,45 kg	
Mitattu äänitehotaso L <sub>WA</sub>	94,6 dB(A) K=1,8 dB(A)	96,5 dB(A) K=1,88 dB(A)	
Äänenpaineen taso käyttäjän korvien tasolla L <sub>PA</sub>	81,7 dB(A) K=2,5 dB(A)	76,5 dB(A) K=3 dB(A)	
Taattu äänitehotaso L <sub>WA</sub> (direktiivin 2000/14/EY mukaan)	96 dB(A)	98 dB(A)	
Tärinä a <sub>h</sub>	Etuapukahva	3,2 m/s <sup>2</sup> K=1,5 m/s <sup>2</sup>	2,8 m/s <sup>2</sup> K=1,5 m/s <sup>2</sup>
	Takakahva	2,3 m/s <sup>2</sup> K=1,5 m/s <sup>2</sup>	3,1 m/s <sup>2</sup> K=1,5 m/s <sup>2</sup>

- Ilmoitettu tärinän kokonaispäästöarvo on mitattu standarditestausten mukaisesti, ja sen avulla voidaan vertailla työkaluja keskenään;
- Ilmoitettua tärinän kokonaispäästöarvoa voidaan käyttää myös altistumisen alustavaan arviointiin.

**HUOMAA:** Työkalun käytön aikana mitattu todellinen tärinäpäästöarvo voi poiketa ilmoitetusta kokonaispäästöarvosta työkalun käyttötavasta johtuen; käyttäjän suojaamiseksi tulee käyttää käsinettä ja kuulosuojaimia varsinaisissa käyttöolosuhteissa.

## KUVAUS

### TUNNE SIIMALEIKKURISI (kuva A1)

1. Rajoitusrengas
2. Liipaisin

3. Takakahva
4. Ilmanotto
5. Lukituksen vapautuspainike
6. Korkean/alhaisen nopeuden kytkin
7. Olkahinnan kiinnitysripustin
8. Säädettävä etuapukahva
9. Olkahinna
10. Monitoimiavain
11. Kuusiokoloavain
12. Leikkuupää (kupupää)
13. Leikkuusiima
14. Vapautusuloke
15. Siiman leikkuuterä
16. Suojus
17. Poistomekanismi
18. Sähköliitäntä
19. Lukko
20. Kumityynysojous
21. Akun vapautuspainike
22. Turvaestetanko (vain pensasleikkuripäähän)
23. Lukitusvarsi turvaestetankon (vain pensasleikkuripäähän)
24. Ulkolaippa (vain pensasleikkuripäähän)
25. Mutteri (vain pensasleikkuripäähän)
26. Ruuvi (vain pensasleikkuripäähän)

FI

## PAKKAUSLUETTELO

OSAN NIMI	MÄÄRÄ
Siimaleikkuri	1
Suojus	1
Edessä oleva apukahvakokonaisuus	1
Kuusiokoloavain	1
Monitoimiavain	1
Olkahinna	1
Käyttöopas	1
Lukitusvarsi	1
Ulkolaippa	1
Mutteri	1
Ruuvi	2

## KOKOONPANO

**VAROITUS:** Jos jokin osa on vahingoittunut tai puuttuu, älä käytä tuotetta ennen kuin osat on vaihdettu.

Tuotteen käyttö viottuneilla tai puuttuvilla osilla voi aiheuttaa vakavan henkilövahingon.

**VAROITUS:** Älä yritä muuttaa tätä tuotetta tai käyttää siinä lisävarusteita, joita ei ole suunniteltu käytettäväksi tämän siimaleikkurin kanssa. Mikä tahansa tällainen muokkaus tai muutos on väärinkäyttö ja saattaa aiheuttaa vaarallisen tilan, joka saattaa johtaa vakavaan henkilövahintaan.

**VAROITUS:** Poista akku koneesta aina, kun kokoat osia. Näin varmistat, ettei laite käynnisty vahingossa eikä aiheuta vakavia henkilövahinkoja.

**VAROITUS:** Turvaestetanko on asennettava, jos kone on varustettu pensasleikkuripäällä.

FI

## SUOJAN KIINNITTÄMINEN

**VAROITUS:** Käytä aina käsiineitä, kun kiinnität tai vaihdat suojusta. Varo suojuksen terää ja suojavaa kätesi leikkautumiselta.

**VAROITUS:** Älä koskaan käytä konetta ilman, että suojuksen on kunnolla paikallaan. Suojuksen on aina oltava koneessa käyttäjän suojaamiseksi! Kun suojuksen on kiinnitetty, älä poista tai säädä sitä. Jos suojuksen vaihtaminen on tarpeen, vain asiantunteva huoltoteknikko saa tehdä sen!

1. Löysää ja poista kaksi ruuvia suojusta (kuva B).
2. Linjaa suojan kiinnitysaukot asennusaukkojen kanssa ja lukitse suoja sitten varren tyveen kahdella ruuvilla ja jousialuslevyillä (kuva C).

**HUOMAA:** Varmista, että suoja on paikallaan kuvien B ja C mukaisesti, käänteinen kiinnitys aiheuttaa suuren vaaran!

## ETUAPUKAHVAN KIINNITYS JA SÄÄTÄMINEN

1. Löysää etuapukahvan lukitusvarsi ja poista lukitusvarsi ja siipimutteri etuapukahvasta (kuva D).

**HUOMAA:** Asenna turvaestetanko kaarikahvaan kahdella ruuvilla silloin, kun työkalu on varustettu pensasleikkuripäällä.

**HUOMAA:** Lukitusvarsia on kaksi erilaista. Lyhyempi niistä on siimaleikkuripäähän. Pidempi on pensasleikkuripäähän. Muista valita oikea lukitusvarsi, kun käytät työkalua.

D-1	Etuapukahva	D-4	Turvaestetanko (vain pensasleikkuripäähän)
D-2	Puristuskappale	D-5	Lukitusvarsi

D-3	Siipimutteri		
-----	--------------	--	--

2. Paina etukahva varteen rajoitusrenkaan eteen. Älä koskaan aseta sitä rajoitusrenkaan ja takakahvan väliselle alueelle (kuva E).
3. Aseta puristuskappale kahvan koloon (kuva F).
4. Asenna lukitusvarsi ja esikiristä se siipimutterilla. Varmista, että etuapukahva on ylöspäin ja osoittaa kohti takakahvan yläosaa (kuva G).
5. Säädä etuapukahva rajoitusrenkaan ja merkintätarran väliin. Varmista, että käsivartesi on suorana käytön aikana (kuva H).
6. Lukitse lukitusvarren vipu. (Kuva I).

**VAROITUS:** Työkalua ei voi käyttää ilman, että etuapukahva on kiinnitetty turvallisesti.

## OLKAKAHDAN KIINNITYS

Turvallista ja parempaa käyttöä varten aseta hihna toisen olkapään yli ja selän poikki.

1. Avaa hihnan koukku painamalla ja kiinnitä se olkahihnan kiinnitysriipustimeen (kuva J).
2. Säädä olkahihnan pituus ja sijoituspaikka mukavaan käyttöasentoon – pidä trimmeriä molemmin käsin: toinen käsi takakahvassa ja toinen käsi etukahvassa.

**VAROITUS:** Kun on hätätilanne, ota hihna olaltasi välittömästi riippumatta hihnan asennosta.

Älä käytä yhden olkan hihnaa ja kahden olkan hihnaa samanaikaisesti.

Hihnaa käytettäessä mikään muu puettava vaate ei saa häiritä hihnan vapauttamista ja irrottamista.

## TOIMINTA

**VAROITUS:** Käytä aina tavanomaisia tai sivusuojilla varustettuja suojalaseja sekä kuulosuojaimia. Tämän ohjeen laiminlyöminen saattaa aiheuttaa esineiden sinkoutumisen silmiin ja mahdollisen vakavan henkilövahingon.

Tätä laitetta voi käyttää seuraavassa mainittuihin tarkoituksiin:

**Ruohotrimmerinä:** käytetään ruohon ja rikkaruohojen poistamiseen seinien, aitojen, puiden ja rajojen lähellä.

**Leikkurina:** käytetään sellaisen nurmikon leikkaamiseen, johon on vaikea päästä käsiin perinteisellä ruohonleikkurilla.

**HUOMAA:** Työkalua tulee käyttää vain sille määritettyyn



tarkoitukseen. Muunlainen käyttö, esimerkiksi pensaiden leikkuu, katsotaan vääriinkäytöksi.

### AKUN LIITTÄMINEN/POISTAMINEN

Käytä vain kuvassa A2 lueteltujen akkujen ja latureiden kanssa.

### Latata täyteen ennen ensimmäistä käyttökertaa

#### Liittäminen

Aseta akun ulokkeet kiinnitysaukkoihin ja paina akkua alaspäin, kunnes kuulet naksahduksen (kuva K).

#### Poistaminen

Paina akun vapautuspainiketta ja vedä akku ulos kuvan L osoittamalla tavalla.

L-1	Akun vapautuspainike
-----	----------------------

### OTE SIIMALEIKKURISTA

Käytön turvallisuuden ja sujuvuuden takia laita olkahihna olan yli, kuten kuvassa N. Säädä olkahihna miellyttävään käyttöasentoon. Pidä siimaleikkurista kiinni molemmin käsin: toinen kätesi on takakahvalla ja toinen edessä olevalla apukahvalla.

**HUOMAA:** Leikkuupää on suorassa linjassa maan kanssa sopivalla leikkuuetaisytydellä ilman käyttäjän kumartumista (kuva N).

Hihnan voi vapauttaa kahdella tavalla. Ota se suoraan pois olaltasi (kuva O) tai paina hihnan koukkuja ja irrota se varteen kiinnitetystä olkahihnan kiinnitysriipustimesta (kuva P).

**VAROITUS:** Olkahihnassa on myös nopea vapautusmekanismi vaaratilanteita varten. Kun on hätätilanne, ota hihna olaltasi välittömästi riippumatta hihnan asennosta.

### SIIMALEIKKURIN KÄYNNISTÄMINEN/ SAMMUTTAMINEN (kuva M)

#### Käynnistäminen

Paina lukituksen vapautusvipu alas ja paina käynnistysliipaisinta. Erilainen paine liipaisimella aiheuttaa leikkuusiiman pyörimisnopeuden muuttumisen. Enemmän painetta, enemmän nopeutta.

#### Pysäyttäminen

Vapauta liipaisin.

**HUOMAA:** Moottori käy vain silloin, kun sekä lukituksen vapautuspainiketta että liipaisinta painetaan.

### Nopeuden säätötoiminto (kuva M)

Siimaleikkurissa on kaksi eri nopeutta. Asento "1" on alhainen nopeus, asento "2" on korkea nopeus.

M-1	Korkean/alhaisen nopeuden kytkin
M-2	Lukituksen vapautuspainike
M-3	Liipaisin

### SIIMALEIKKURIN KÄYTTÖ

Tyhjennä leikattava alue ennen jokaista käyttökertaa. Poista kaikki esineet, kuten kivet, rikkiäinen lasi, naulat, rautalanka tai narut, jotka saattavat lentää tai sotkeutua leikkurin osiin. Tyhjennä alue lapsista, sivullisista ja lemmikkieläimistä. Pidä lapset, sivulliset ja lemmikkieläimet vähintään 15 metrin päässä. Sinkoutuvat esineet voivat silti vielä aiheuttaa vaaraa sivullisille. Sivullisia tulee kannustaa pitämään suojalaseja. Jos joku lähestyy sinua, sammuta moottori ja leikkuulaite välittömästi.

### Tarkasta ennen jokaista käyttöä vaurioituneiden/ kuluneiden osien varalta

Tarkista kupupää, suoja ja edessä oleva apukahva ja vaihda kaikki osat, joissa on säröjä tai jotka ovat vääntyneet, kieroutuneet tai vahingoittuneet millään tavalla.

Suojuksen reunassa oleva siimaleikkurin terä voi tylsyä ajan myötä. Suosittelemme, että teroitat sen määräajoin viilalla tai vaihdat sen uuteen terään.

**VAROITUS:** Käytä aina käsiineitä, kun asennat suojusta tai teroitat terää tai vaihdat siiman leikkuuterän. Huomioi terän sijainti suojuksessa ja suojele käsiäsi loukkaantumisilta.

### Tarkista, onko leikkuupää tukkeutunut

- Tukosten estämiseksi pidä leikkuupää puhtaana. Poista ruohonleikkuujätteet, lehdet, lika ja muut kertyneet roskat ennen ja jälkeen jokaisen käyttökerran.
- Kun tukos tapahtuu, pysäytä siimaleikkuri ja poista akku ja poista sitten ruoho, joka on saattanut kietoutua moottorin karan tai leikkuupään ympärille.

### Puhdista leikkuri jokaisen käyttökerran jälkeen.

### LEIKKUUSIIMAN PITUUDEN SÄÄTÄMINEN

Trimmeripää mahdollistaa leikkuusiiman vapauttamisen ilman moottorin sammuttamista. Kun siima hankautuu tai kuluu, siimaa voidaan vapauttaa lisää kopauttamalla leikkurin päätä kevyesti maahan leikkurin käytön aikana (kuva Q).

**HUOMAA:** Siiman vapautus vaikeutuu, kun leikkuusiima lyhenee.

**VAROITUS:** Älä poista tai muuta siimaleikkurin

teräkokooppa. Ylimääräinen siiman pituus aiheuttaa moottorin ylikuumentumisen ja voi aiheuttaa vakavan henkilövahingon.

## SIIMAN VAIHTAMINEN

**HUOMAA:** Käytä aina suositeltua nailonleikkuusiimaa, jonka halkaisija on korkeintaan 2,4 mm. Muunlaisen siiman käyttäminen saattaa aiheuttaa siimaleikkurin kuumentumisen tai vaurioitumisen.

**VAROITUS:** Älä ikinä käytä metallilla vahvistettua siimaa, rautalankaa tai naruja yms. Ne saattavat katketa ja muodostaa vaarallisia ammuksia.

1. Poista akku.
2. Poista jäljellä oleva siima, mikäli tarpeen.
3. Leikkaa leikkuusiimasta 4 m pitkä kappale. Työnnä siima pujotusreian sisäpuolella olevaan asennusreikään (kuva R). Työnnä ja vedä siimaa toiselta puolelta, kunnes kummallakin puolella kelaa on yhtä paljon siimaa.
4. Paina ja pyöritä samalla alemmaa suojusta nuolen suuntaan saadaksesi siiman kelalle, kunnes kummallakin puolella on näkyvissä noin 14 cm siimaa (kuva S).
5. Paina alemmaa suojusta ja vedä samalla siimoja käsin siiman liikuttamiseksi eteenpäin. Tarkista leikkuupään oikea kokoonpano.

Kun leikkuusiima katkeaa siiman ulostulosta tai leikkuusiimaa ei vapaudu leikkuupäätä napautettaessa, noudata seuraavia ohjeita:

1. Paina ylemmän suojuksen vapautusulokkeita ja poista alempi suojuksen vetämällä sitä suoraan ulospäin (kuvat T ja U).
2. Irrota leikkuusiima kelasta.
3. Pidä toisella kädellä alemmasta suojuksesta, tartu toisella kädellä alempaan suojukseen ja kohdistu ylemmän suojuksen ulokkeet alemman suojuksen reikiin (kuva V). Käytä kämmentä ja paina alemmaa suojusta, kunnes ulokkeet lukittuvat ylempään suojukseen.
4. Noudata leikkuusiiman uudelleen lataamisessa kohdan "SIIMAN VAIHTAMINEN" ohjeita.

## 3-HAMPAISEN TERÄN VAIHTAMINEN

**HUOMAUTUS:** Vammoilta suojautumiseksi sinun on käytettävä käsiineitä ennen 3-hampaisen terän käyttöä.

1. Poista alemman suojuksen kokoonpano, kuten kuvissa T ja U.
2. Aseta vakain ja käytä sitten iskuruuviväännintä

mutterin irrottamiseen, kuten kuvissa X1 ja X2.

3. Poista kaikki osat paitsi sisempi laippa ja mutteri (kuva X3), asenna terä moottorin karaan, kuten kuvassa X4.
4. Kiristä terä, kuten kuvassa X5.

**VAROITUS:** Kun leikkaat nuorta kasvua tai halkaisijaltaan enintään 2 cm puumaisia kasveja, käytä terän vasenta sivua, jotta vältät takapotkut. Älä yritä leikata paksampia puita, koska terä voi jäädä kiinni ja iskeä raivaussahaa eteenpäin. Tämä saattaa vaurioittaa terää tai raivaussahaa tai voit menettää raivaussahan hallinnan. Tämä voi johtaa henkilövahinkoon.

**HUOMAUTUS:** Teroita terä säännöllisesti (kun se on selvästi tylsä), ja anna se tasapainotettavaksi tarvittaessa (ammattitaitoiselle asentajalle).

## KUNNOSSAPITO

**VAROITUS:** Käytä huollon yhteydessä vain identtisiä varaosia. Tarkasta kone ja huolla sitä säännöllisesti. Pätevän huoltoteknikon tulee suorittaa kaikki korjaukset, jotta voidaan taata tuotteen turvallinen ja luotettava käyttö.

**VAROITUS:** Vakavan henkilövamman välttämiseksi poista akku työkalusta ennen kuin huollat tai puhdistat sitä tai vaihdat siihen lisäosia tai poistat materiaalia yksiköstä.

**HUOMIO:** Tukokset ilma-aukoissa estävät ilman virtaamisen moottorikehikkoon ja voivat aiheuttavat ylikuumentumista tai moottorin vahingoittumisen.

## LAITTEEN PUHDISTAMINEN

- Puhdista laite kostealla liinalla ja miedolla puhdistusaineella. Älä ikinä päästä vettä työkalun sisälle; älä koskaan upota mitään työkalun osaa nesteeseen.
- Älä käytä voimakkaita puhdistusaineita muoviseen kuoreen tai kahvaan. Ne saattavat vahingoittaa tietyistä aromaattisista öljyistä, kuten männystä ja sitruunasta, ja liuottamista, kuten kerosiiniä. Kosteus voi myös aiheuttaa sähköiskun vaaran. Pyyhi kosteus pois pehmeällä ja kuivalla liinalla.
- Käytä pientä harjaa tai pienen imuriharjan ilmapirtaa, kun puhdistat ilma-aukot kehikon takaosassa.
- Pidä moottorikehikon ilma-aukot aina puhtaana irtoineksesta.

## VAIHDEPYÖRÄN VOITELU

Vaihdekotelossa oleva vaihdepyörä tulee voidella säännöllisesti vaihderasvalla. Tarkasta vaihdekotelon rasvan taso noin 50 käyttötunnin välein poistamalla kotelon sivussa oleva tiivistysruuvi.

Jos vaihteen sivuilla ei näy rasvaa, lisää vaihderasvaa enintään 3/4 kapasiteetista seuraavien ohjeiden mukaisesti. Älä täytä vaihdepyörää kokonaan rasvalla.

1. Pidä siimaleikkuria kyljellään siten, että tiivistysruuvi on ylöspäin (kuva W).
2. Löysää tiivistysruuvia mukana toimitetulla monitoimiavaimella ja poista ruuvi.
3. Käytä rasvaruiskua (ei mukana) ja ruiskuta jonkin verran rasvaa ruuvien reikään; älä ylitä 3/4 kapasiteetista.
4. Kiristä tiivistysruuvi ruiskutuksen jälkeen.

## LAITTEEN VARASTOINTI

- Poista akku siimaleikkurista aina, kun se ei ole käytössä.
- Puhdista työkalu perusteellisesti ennen varastoon laittamista.
- Säilytä laite kuivassa, hyvin ilmastoidussa, lukitussa paikassa tai korkealla, poissa lasten ulottuvilta. Älä säilytä yksikköä lannoitteiden, bensiinin tai muiden kemikaalien vieressä tai päällä.
- Käytä teränsuojusta 3-hampaisessa terässä kuljetuksen ja varastoinnin aikana.

## Ympäristönsuojelu



Älä hävitä sähkölaitteita, akkulaturia tai akkuja/ladattavia paristoja kotitalousjätteen seassa! Vie tämä tuote hyväksytyyn kierrätyspaikkaan tai anna se erilliseen keräilyyn. Sähkötyökalut tulee palauttaa asianmukaiseen ympäristöstävälliseen kierrätyslaitokseen.

## VIANMÄÄRITYS

ONGELMA	SYY	RATKAISU
Siimaleikkuri ei käynnisty.	<ul style="list-style-type: none"> <li>■ Akkua ei ole liitetty leikkuriin.</li> <li>■ Leikkurin ja akun välillä ei ole sähköliitintää.</li> <li>■ Akku on tyhjä.</li> <li>■ Lukituksen vapautuspainiketta ja liipaisinta ei paineta samanaikaisesti.</li> </ul>	<ul style="list-style-type: none"> <li>■ Lisää akku leikkuriin.</li> <li>■ Poista akku, tarkista kosketuskohdat ja asenna akku uudelleen paikalleen.</li> <li>■ Lataa akkuyksikkö.</li> <li>■ Paina lukituksen vapautuspainike alas ja pidä sitä pohjassa samalla, kun painat liipaisinta niin siimaleikkuri käynnistyy.</li> </ul>
Siimaleikkuri pysähtyy kesken leikkauksen.	<ul style="list-style-type: none"> <li>■ Suojaa ei ole kiinnitetty leikkuriin, mikä aiheuttaa liian pitkän leikkuusiiman ja moottorin ylikuormittumisen.</li> <li>■ Leikkuusiima on liian paksu.</li> <li>■ Moottorin varsi tai leikkurin pää on täynnä ruohoa.</li> <li>■ Moottori on ylikuormittunut.</li> <li>■ Akku tai siimaleikkuri on liian kuuma.</li> <li>■ Akku on irronnut työkalusta.</li> <li>■ Akku on tyhjä.</li> </ul>	<ul style="list-style-type: none"> <li>■ Poista akku ja kiinnitä suoja leikkuriin.</li> <li>■ Käytä suositeltua nailonleikkuusiimaa, jonka halkaisija on korkeintaan 2,4 mm.</li> <li>■ Pysäytä leikkuri, poista akku ja poista ruoho moottorin varresta ja leikkurin päästä.</li> <li>■ Irrota trimmerin pää ruohosta. Moottori palautuu toimintaan, kun kuormitus poistetaan. Liikuta leikkurin päätä edestakaisin leikattavassa ruohikossa ja leikkaa kerrallaan korkeintaan 20 cm pituudesta.</li> <li>■ Jäähdytä akkua tai leikkuria, kunnes sen lämpötila on alle 67°C.</li> <li>■ Aseta akku uudelleen paikalleen.</li> <li>■ Lataa akkuyksikkö.</li> </ul>
Leikkurin pää ei anna lisää siimaa.	<ul style="list-style-type: none"> <li>■ Moottorin varsi tai leikkurin pää on täynnä ruohoa.</li> <li>■ Kelassa ei ole riittävästi siimaa.</li> <li>■ Leikkuripää on likainen.</li> <li>■ Siima on solmussa kelassa.</li> <li>■ Siima on liian lyhyt.</li> </ul>	<ul style="list-style-type: none"> <li>■ Pysäytä leikkuri, poista akku ja puhdista moottorin akseli ja leikkuupää.</li> <li>■ Poista akku ja vaihda leikkuusiima; noudata tämän käyttöoppaan SIIMAN VAIHTAMINEN -osion ohjeita.</li> <li>■ Poista akku ja puhdista leikkuupää.</li> <li>■ Poista akku, poista siima kelapäästä ja kelaa se uudelleen; noudata tämän käyttöoppaan kohdan ”LEIKKUUSIIMAN UUELLEEN LATAAMINEN” ohjeita.</li> <li>■ Poista akku ja vedä siimoja käsin samalla, kun vuorotellen painat ja vapautat trimmeripään.</li> </ul>

FI

ONGELMA	SYY	RATKAISU
Ruoho kietoutuu leikkurin päähän ja moottorin kehikkoon.	<ul style="list-style-type: none"><li>■ Pitkän ruohon leikkaaminen maan tasalle.</li></ul>	<ul style="list-style-type: none"><li>■ Leikkaa pitkä ruohikko ylhäältä alas niin, että leikkaat kerralla korkeintaan 20 cm ruohon pituudesta, jotta estät ruohon kiertymisen.</li></ul>
Leikkuupää on vaurioitunut tai alempi suojuus on irronnut ylemmästä suojuksesta.	<ul style="list-style-type: none"><li>■ Leikkuupää on kulunut.</li></ul>	<ul style="list-style-type: none"><li>■ Vaihdata leikkuupää välittömästi ammattitaitoisella huoltoasentajalla.</li></ul>

## TAKUU

### EGON TAKUUEHDOT

Verkkosivustolta [egopowerplus.eu](http://egopowerplus.eu) löydät EGO:n takuuehtojen täydelliset ehdot kokonaisuudessaan.

FI

**LES ALLE INSTRUKSJONER!****LES BRUKERHÅNDBOKEN****SIKKERHETSSYMBOLER**

Sikkerhetsvarsel



Bruk vernebriller

**NO**

Ikke bruk metallblader



Avstanden mellom maskinen og tilskuere skal være minst 15 m.



Linjediameter - Diameteren til nylonkjærelinen



Dette produktet er i samsvar med gjeldende EF-direktiver.



Elektrisk avfall skal ikke kastes sammen med husholdningsavfall. Innlever ved en godkjent gjenvinningsstasjon.

V Spenning

.../min Per minutt

kg Kilogram



**ADVARSEL:** Bruk av hvilke som helst elektroverktøy kan føre til at fremmedlegemer blir kastet mot øynene, noe som kan gi alvorlige øyeskader. Før du begynner å bruke elektroverktøyet, skal du alltid ta på vernebriller eller vernebriller med sidebeskyttelse, og en full ansiktsskjerm der det trengs. Vi anbefaler en Wide Vision Safety Mask til bruk over briller, eller standard vernebriller med sidebeskyttelse.



Les og forstå brukerhåndboken



Bruk hørselvern



Pass deg for gjenstander som kastes



Koble fra batteriet før vedlikehold



Bredde – kantklipperens maks. skjærebredde



Dette produktet er i samsvar med gjeldende britisk lovgivning.



Garantert lydeffektnivå. Støy i omgivelsene er i henhold til EUs direktiv.

 $n_0$ 

Ingen lasthastighet-rotasjonshastighet, uten belastning



Likestrøm

IPX4

Beskyttelse mot vannsprut

## SPESIFIKASJONER

	Trimmerhode	3-tannet blad
Spenning	56 V	56 V
Anbefalt driftstemperatur	0°C-40°C	
Anbefalt lagringstemperatur	-20°C-70°C	
Optimal ladetemperatur	5°C-40°C	
Hastighet uten last	5000/6000 min <sup>-1</sup>	5000/6000 min <sup>-1</sup>
Trådtype	2,4 mm	/
Skjæreblad	/	ABB1203
Kuttebredde	38 cm	30cm
Vekt (uten batteripakke)	4,21 kg	4,45 kg
Målt lydeffektivnivå L <sub>WA</sub>	94,6 dB(A) K=1,8 dB(A)	96,5 dB(A) K=1,88 dB(A)
Lydtrykknivå ved brukers øre L <sub>PA</sub>	81,7 dB(A) K=2,5 dB(A)	76,5 dB(A) K=3 dB(A)
Garantert lydeffektivnivå L <sub>WA</sub> (iht. 2000/14/EF)	96 dB(A)	98 dB(A)
Vibrasjon a <sub>h</sub>	Front – fremre hjelpehåndtak	3,2 m/s <sup>2</sup> K=1,5 m/s <sup>2</sup>
	Bakre håndtak	2,3 m/s <sup>2</sup> K=1,5 m/s <sup>2</sup>

- Erklært total vibrasjonsverdi er målt i overensstemmelse med en standard testmetode og kan brukes til å sammenligne ett verktøy med et annet;
- Erklært total vibrasjonsverdi kan også brukes i en foreløpig vurdering av eksponering.

**MERK:** Vibrasjoner under faktisk bruk av elektroverktøyet kan variere fra den opplyste verdien der verktøyet brukes; For å beskytte brukeren skal det alltid benyttes hansker og hørselsvern under faktiske bruksforhold.

## BESKRIVELSE

### GIJØR DEG KJENT MED KANTKLIPPEREN (Fig. A1)

1. Avgrensingsring
2. Utløser
3. Bakre håndtak
4. Luftinntak
5. Låseknapp

6. Hastighetsbryter høy/lav
7. Oppheng for skulderstropp
8. Regulerbart hjelpehåndtak på forsiden
9. Skulderrem
10. Flerbruksnøkkel
11. Unbraconøkkel
12. Trimmerhode (stifthode)
13. Tråd
14. Utløserflik
15. Trådkuttingsblad
16. Bladvern
17. Utkastingsmekanisme
18. Elektriske kontakter
19. Lås
20. Gummiert beskyttelse
21. Utløserknapp for batteri
22. Sikkerhetsbarrierestang (bare for busktrimmerhode)
23. Låsehendel for sikkerhetsbarrierestang (bare for busktrimmerhode)
24. Ytre flens (bare for busktrimmerhode)
25. Mutter (bare for busktrimmerhode)
26. Skrue (bare for busktrimmerhode)

**NO**

## PAKKELISTE

NAVN PÅ DEL	ANTALL
Kantklipper	1
Bladvern	1
Fremre hjelpehåndtak	1
Unbraconøkkel	1
Flerbruksnøkkel	1
Skulderrem	1
Brukerhåndbok	1
Låsehendel	1
Ytre flens	1
Mutter	1
Skrue	2

## MONTERING

**⚠ ADVARSEL:** Hvis noen av delene er skadet eller mangler, må du ikke bruke dette produktet før delene er

byttet. Bruk av dette produktet dersom deler er skadet eller mangler, kan føre til alvorlige personskader.

**⚠ ADVARSEL:** Ikke forsøk å modifisere dette produktet eller lage tilbehør som ikke er anbefalt for bruk med denne linjetrimmeren. Enhver slik endring eller modifikasjon er misbruk og kan føre til en farlig tilstand som kan føre til mulig alvorlig personskade.

**⚠ ADVARSEL:** For å forhindre utilsiktet start som kan forårsake alvorlig personskade, må du alltid fjerne batteripakken fra maskinen når du monterer deler.

**⚠ ADVARSEL:** Når maskinen er utstyrt med børstekutterhode, skal sikkerhetsbarrieren monteres.

## MONTERING AV SKJERMEN

**⚠ ADVARSEL:** Bruk alltid hansker når du monterer eller bytter beskyttelse. Legg merke til hvor knivbladet er på bladvernet, og beskytt hendene dine så de ikke blir skadet.

**⚠ ADVARSEL:** Aldri bruk maskinen uten at vernet er godt på plass. Vekten må alltid være på maskinen for å beskytte brukeren! Når bladvernet sitter fast, må du ikke forsøke å fjerne eller justere det. Hvis det trengs å byttes, må dette gjøres av en kvalifisert fagperson!

1. Løsne og ta ut de to skruene på bladvernet (Fig. B).
2. Juster de to monteringshullene på bladvernet så de er på linje med hullene i verktøyet, og lås bladvernet til skaftsokkelen ved hjelp av de to skruene og de to fjærskivene (Fig. C).

**MERK:** Sørg for at skjermen er festet slik Fig. B og C viser. Festes den motsatt, kan det forårsake stor skade!

## MONTERING OG JUSTERING AV FREMRE HJELPEHÅNDTAK

1. Løsne låsehendelen i fremre hjelpehåndtak og ta låsehendelen og vingemutteren ut av fremre hjelpehåndtak (Fig. D).

**MERK:** Monter sikkerhetsbarrierestangen i sløyfehåndtaket ved hjelp av de to skruene når verktøyet er utstyrt med busktrimmerhode.

**MERK:** det finnes to typer låsehendel. Den korteste er ment for bruk med trimmerhodet. Den lengste er ment for bruk med busktrimmerhodet. Pass på at du velger riktig låsehendel når du skal bruke verktøyet.

D-1	Fremre hjelpehåndtak	D-4	Sikkerhetsbarrierestang (bare for busktrimmerhode)
-----	----------------------	-----	--

D-2	Klemblokk	D-5	Låsehendel
D-3	Vingemutter		

2. Skyv fronthåndtaket inn i skaftet foran avgrensingsringen. Det må aldri plasseres mellom avgrensingsringen og området rundt det bakre håndtaket (Fig. E).
3. Sett tvingen inn i spalten på håndtaket (Fig. F).
4. Sett på låsehendelen, og stram til midlertidig med vingemutteren. Pass på at det fremre hjelpehåndtaket vender opp og peker mot toppen av det bakre håndtaket (Fig. G).
5. Juster fremre hjelpehåndtak mellom ringen og etiketten for å forsikre deg om at forsiden av armen din er rett når du betjener verktøyet (Fig. H).
6. Lås spaken på låsehendelen. (Fig. I).

**⚠ ADVARSEL:** Verktøyet kan ikke brukes uten at fremre hjelpehåndtak er godt festet.

## PÅSETTING AV SKULDERREM

For sikker og bedre drift, legg stroppen over en av skuldrene og over ryggen.

1. Trykk remkroken inn for å åpne den, og fest den på opphenget beregnet på dette (Fig. J).
2. Juster skulderremmens lengde og plassering til en komfortabel betjeningsposisjon – hold trimmeren med begge hender: en hånd på det bakre håndtaket og den andre hånden på det fremre håndtaket.

**⚠ ADVARSEL:** Når en nødsituasjon oppstår, ta den av skulderen umiddelbart, uansett hvilken vei stroppen er i.

Du bør ikke bruke enkelt-skulderremmen og dobbelt-skulderremmen samtidig.

Når du bærer stroppen, skal ingen andre klær forstyrre frigjøringen og fjerningen av stroppen.

## BRUK

**⚠ ADVARSEL:** Bruk alltid verne- eller sikkerhetsbriller med sideskjerm i tillegg til hørselsvern. Hvis du ikke gjør det, kan du få fremmedlegemer i øynene eller pådra deg andre alvorlige skader.

Du kan bruke dette produktet til formålene som er listet opp under:

**Kantklipping:** brukes for å fjerne gress og ugress inntil vegger, gjerder, trær og tomtegrenser.

**Skjæring:** brukes for å klippe gress som er vanskelig å komme til med en vanlig gressklipper.



**MERK:** Verktøyet skal bare brukes til sitt foreskrevne formål. All annen bruk anses for å være feil bruk.

### FESTE/FJERNE BATTERIPAKKEN

Bruk kun med batteripakker og ladere som oppført i fig. A2.

#### Lad opp før første gangs bruk

#### Slik setter du det på

Juster batteririllene så de er på linje med monterings-sporene, og trykk batteripakken ned til du hører et klikk (Fig. K).

#### Slik tar du det av

Trykk på batteriutløserknappen og trekk batteripakken ut som vist i Fig. L.

L-1	Utløserknapp til batteri
-----	--------------------------

### HOLDE KANTKLIPPEREN

For sikker og bedre drift bør skulderremmen legges rundt skulderen som vist i Fig. N. Juster den så den føles behagelig når du bruker apparatet. Hold kantklipperen med begge hender: En hånd på det bakre håndtaket og den andre hånden på det fremre hjelperhåndtaket.

**MERK:** Trimmerhodet skal være parallelt med bakken i riktig klippeavstand uten at operatøren må bøye seg (Fig. N).

Det er to måter du kan utløse remmen på. Ta den rett av skulderen (Fig. O), eller trykk på remkroken som du løsner fra opphenget på skaftet (Fig. P).

**⚠ ADVARSEL:** Skulderremmen er også en rask utløsemekanisme i farlige situasjoner. Når en nødssituasjon oppstår, ta apparatet av skulderen umiddelbart, uansett hvordan remmen er påsatt.

### STARTE/STOPPE KANTKLIPPEREN (Fig. M)

#### For å starte opp

Trykk ned låsespaken, deretter utløseren. Forskjellig trykk på utløseren resulterer i forskjellig rotasjonshastighet på skjæretråden. Mer trykk betyr høyere hastighet.

#### For å stanse

Slipp utløseren.

**MERK:** Motoren går bare når både låseknapp og utløser er trykket ned.

### Hastighetsregulering (Fig. M)

Kantklipperen har to hastigheter. Posisjon "1" er for lav hastighet og posisjon "2" for høy hastighet.

M-1	Hastighetsbryter høy/lav
M-2	Låseknapp
M-3	Utløser

### BRUK AV KANTKLIPPEREN

Rydd arbeidsområdet før du bruker verktøyet. Fjern alle gjenstander som steiner, glasskår, spikre, ståltråd eller snorer som kan slynges bort eller vikle seg inn i skjæretilbehøret. Hold barn, tilskuere og kjæledyr unna området. Som et minimum må alle barn, tilskuere og kjæledyr holdes på minst 15 meters avstand. Vær obs på at gjenstander som slynges ut, fremdeles kan representere en fare for tilskuere. Tilskuere bør oppfordres til å bruke øyebeskyttelse. Hvis noen nærmer seg deg, så stopp motoren og skjæretilbehøret umiddelbart.

#### Før hver bruk må du se etter skadede/slitte deler

Sjekk støthodet, skjermen og det fremre hjelperhåndtaket, og bytt de delene som har sprekker, er vridd, bøyd eller skadet på noen måte.

Trådskjærebildet langs kanten av bladvernet kan sløves over tid. Det anbefales å skjerpe den jevnlig med en fil, eller bytte den ut med et nytt blad.

**⚠ ADVARSEL:** Bruk alltid hansker når du monterer eller skifter vernet eller når du sliper eller skifter skjærebildet. Legg merke til plasseringen av bladet på beskyttelsen og beskytt hendene dine mot skade.

#### Se etter blokkering av trimmerhodet

- For å unngå blokkering, hold trimmerhodet rent. Fjern gressklipp, løv, skitt og annet oppsamlet rusk før og etter hver bruk.
- Når blokkering skjer, stopp linetrimmeren og fjern batteriet, og fjern deretter alt gress som kan ha pakket seg rundt motorakselen eller trimmerhodet.

#### Kantklipperen skal rengjøres etter hver bruk.

### JUSTERING AV TRÅDLENGDE

Trimmerhodet gjør at brukeren kan utløse mer skjæretråd uten å stoppe motoren. Etter hvert som tråden blir frynset eller slitt, kan ekstra tråd utløses med et lett trykk på trimmerhodet mot bakken mens kantklipperen er i gang (Fig. Q).

**MERK:** Det blir vanskeligere å utløse mer tråd når skjæretråden blir kortere.

**⚠ ADVARSEL:** Unngå å ta av eller gjøre endringer på knivbladet. For lang tråd vil medføre at motoren blir overopphetet og kan resultere i alvorlig personskade.

NO

## BYTTE TRÅD

**MERK:** Bruk alltid den anbefalte nylontråden med en diameter som ikke overskrider 2,4 mm. Hvis du bruker en annen tråd enn den som er anbefalt, kan kantklipperen bli overopphetet eller skadet.

**⚠ ADVARSEL:** Det må aldri benyttes metallforsterket tråd, wire, tau e.l. Disse kan brette og bli farlige prosjektiler.

1. Ta ut batteripakken.
2. Fjern gjenværende skjæretråd hvis nødvendig.
3. Skjær en skjæretråd på 4 m. Før tråden inn i monteringsåpningen i maljen (Fig. R). Skyv og dra tråden fra den andre siden til det er like mye tråd på begge sider av spolen.
4. Trykk mens du dreier nedre deksel i pilens retning for å vikle tråden rundt spolen til det er ca. 14 cm tråd på hver side (Fig. S).
5. Skyv nedre deksel ned samtidig som du drar i tråden for å få ut mer, og for å sjekke at trimmerhodet er riktig påsatt.

Hvis skjæretråden går i stykker der tråden kommer ut, eller den ikke utløses når du banker på trimmerhodet, gjør du følgende:

1. Trykk på utløserflikene på øvre deksel, og ta av nedre deksel ved å dra det rett ut (Fig. T og U).
2. Fjern skjæretråden fra spoleholderen.
3. Mens den ene hånden holder øvre deksel, bruker du den andre til å ta tak i nedre deksel og justerer flikene på øvre deksel i forhold til hullene i det nedre (Fig. V). Bruk håndflaten til å trykke og dreie på nedre deksel til flikene går i inngrep med øvre deksel.
4. Følg instruksjonene i "BYTTE TRÅD" for å sette skjæretråden på igjen.

## BYTTE AV 3-TANNET BLAD

**LEGG MERKE TIL:** For å beskytte mot skade, må du bruke hansker før enhver operasjon med 3-tannsbladet.

1. Fjern det nedre dekselet som vist i Fig. T og U
2. Sett inn stabilisatoren og bruk deretter en muttertrekker for å løsne mutteren som vist i Fig. X1 og X2.
3. Fjern alle delene unntatt indre flens og mutter (Fig. X3), monter bladet på motorakselen som vist i Fig. X4.
4. Stram til skruene som vist i Fig. X5.

**⚠ ADVARSEL:** Når du kutter ungsqudd eller annet tremateriale opptil 2 cm i diameter, skal du bruke venstre

side av skjærebladet for å unngå bladutskyving. Unngå å kutte trær med større diameter da skjærebladet kan sette seg fast eller rykke vegetasjonsklipperen fremover. Dette kan gi skader på skjæreblad eller vegetasjonsklipper eller få deg til å miste kontrollen over verktøyet, og personskaade kan oppstå.

**LEGG MERKE TIL:** Slip bladet regelmessig (når det har sløvet merkbart) og få det balansert om nødvendig (utføres av en kvalifisert servicetekniker).

## VEDLIKEHOLD

**⚠ ADVARSEL:** Når verktøyet trenger service, må bare identiske reservedeler benyttes. Maskinen må etteres og vedlikeholdes regelmessig. For å sikre trygg og pålitelig bruk må alle reparasjoner utføres av en kvalifisert fagperson.

**⚠ ADVARSEL:** For å unngå alvorlig personskaade, tas batteriet ut av verktøyet før service, rengjøring, bytte av tilbehør eller fjerning av materiale fra enheten.

**⚠ FORSIKTIG:** Dersom ventilasjonsåpningene blokkeres, vil dette hindre luft fra å komme inn i motorhuset og resultere i overoppheting av eller skade på motoren.

## RENGJØRING AV ENHETEN

- Rengjør apparatet med en fuktig klut og et mildt rengjøringsmiddel. La aldri væske trenge inn i verktøyet, og nedsenk aldri noen del av verktøyet i væske.
- Ikke bruk sterke vaskemidler på plastdeksel eller håndtak. Disse delene kan bli skadet av enkelte aromatiske oljer, som furu og sitron, og av løsemidler som parafin. Fuktighet kan også medføre fare for elektrisk støt. Tørk av eventuell fuktighet med en myk og tørr klut.
- Bruk en liten børste eller støvsugerbørste til å rengjøre luftventiler på bakre deksel.
- Hold ventilasjonsåpningene i motorhuset fri for rusk til enhver tid.

## SMØRING AV GIRDRETVET

Girdrevet i girkassen må smøres med jevne mellomrom med girolje. Sjekk nivået på oljen i girkassen ca. hver 50. driftstime ved å ta av forseglingskruen på siden av kassen.

Hvis du ikke ser noe olje langs sidene av giret, følger du trinnene under for å fylle girolje til 3/4 av kapasiteten. Girdrevet må ikke fylles helt opp.

NO

1. Plasser kantklipperen på siden slik at forseglingsskruen vender opp (Fig. W).
2. Bruk den medfølgende flerbruksnøkkelen til å løsne og ta av forseglingskruen.
3. Bruk en oljesprøyte (følger ikke med) til å sprøyte inn olje i skruhullet; ikke fyll opp mer enn 3/4.
4. Stram til forseglingskruen når du er ferdig.

#### OPPBEVARING AV VERKTØYET

- Ta batteripakken ut av kantklipperen når den ikke er i bruk.
- Rengjør verktøyet grundig før du setter det til oppbevaring.
- Oppbevar verktøyet på et tørt og godt ventilert sted, innelåst eller høyt plassert, og utilgjengelig for barn. Unngå å oppbevare verktøyet på eller ved siden av gjødningsmidler, bensin eller andre kjemikalier.
- Bruk av bladkappen på 3-tannsbladet under transport og lagring.

#### Beskytt miljøet



Elektrisk utstyr, batteriladere og batterier / oppladbare batterier må ikke kastes i husholdningsavfallet! Ta med dette produktet til autorisert gjenvinning, og gjør det tilgjengelig for separat innsamling. Elektriske verktøy må returneres til et egnet resirkuleringsanlegg.

**NO**

## FEILSØKING

PROBLEM	ÅRSAK	LØSNING
Kantklipperen starter ikke.	<ul style="list-style-type: none"> <li>■ Batteripakken er ikke montert i kantklipperen.</li> <li>■ Ingen elektrisk kontakt mellom kantklipperen og batteriet.</li> <li>■ Batteripakken er utladet.</li> <li>■ Låseknappen og utløseren er ikke trykket ned samtidig.</li> </ul>	<ul style="list-style-type: none"> <li>■ Monter batteripakken i kantklipperen.</li> <li>■ Fjern batteriet, sjekk kontakter og installer batteripakken.</li> <li>■ Lad opp batteripakken.</li> <li>■ Trykk ned låseknappen og hold den inne, og trykk deretter på utløseren for å slå på kantklipperen.</li> </ul>
Kantklipperen stopper under klipping.	<ul style="list-style-type: none"> <li>■ Skjermen er ikke montert på kantklipperen, noe som resulterer i at tråden blir for lang, og at motoren blir overbelastet.</li> <li>■ Tråden som brukes, er for tung.</li> <li>■ Gress har festet seg rundt trimmerhodet.</li> <li>■ Motoren er overbelastet.</li> <li>■ Batteripakken eller kantklipperen er for varm.</li> <li>■ Batteripakken er fjernet fra verktøyet.</li> <li>■ Batteripakken er utladet.</li> </ul>	<ul style="list-style-type: none"> <li>■ Ta ut batteripakken og monter bladvernet på kantklipperen.</li> <li>■ Bruk alltid anbefalt skjæretråd av nylon med en diameter som ikke er større enn 2,4 mm.</li> <li>■ Stopp kantklipperen, ta ut batteriet og fjern gresset fra drivakselen og trimmerhodet.</li> <li>■ Ta trimmerhodet bort fra gresset. Motoren vil fungere igjen når belastningen er fjernet. Når du kutter, flyttes trimmerhodet inn og ut av gresset som skal klippes, og ikke fjern mer enn 20 cm lengde i et enkelt kutt.</li> <li>■ La batteripakken eller kantklipperen kjøle seg ned til temperaturen er kommet under 67°C.</li> <li>■ Installer batteripakken på nytt.</li> <li>■ Lad opp batteripakken.</li> </ul>
Trimmerhodet trekker ikke frem tråden.	<ul style="list-style-type: none"> <li>■ Gress har festet seg rundt trimmerhodet.</li> <li>■ Det er ikke nok tråd på spolen.</li> <li>■ Trimmerhodet er skittent.</li> <li>■ Tråden har viklet seg rundt spoleholderen.</li> <li>■ Tråden er for kort.</li> </ul>	<ul style="list-style-type: none"> <li>■ Stopp kantklipperen, ta ut batteriet og rengjør drivakselen og trimmerhodet.</li> <li>■ Ta ut batteriet, og skift ut tråden ved å følge anvisningene i avsnittet «BYTTE AV TRÅD» i denne håndboken.</li> <li>■ Ta ut batteriet og rengjør trimmerhodet.</li> <li>■ Fjern batteriet, ta tråden ut av trimmerhodet og spol tilbake; se avsnittet «TREKKE FREM SKJÆRETRÅDEN» i denne håndboken.</li> <li>■ Fjern batteriet og dra i trådene med hendene mens du vekselvis trykker ned og slipper opp trimmerhodet.</li> </ul>

NO



PROBLEM	ÅRSAK	LØSNING
Gress fester seg rundt trimmerhodet og motorhuset.	<ul style="list-style-type: none"><li>▪ Du forsøker å klippe høyt gress på bakkenivå.</li></ul>	<ul style="list-style-type: none"><li>▪ Klipp høyt gress fra toppen og ned, og ikke fjern mer enn 20 cm i hver passering, for å hindre opphopning.</li></ul>
Sprekker i trimmerhodet eller nedre deksel gjør at øvre deksel løsner.	<ul style="list-style-type: none"><li>▪ Trimmerhodet er utslitt.</li></ul>	<ul style="list-style-type: none"><li>▪ Trimmerhodet må byttes umiddelbart av en kvalifisert reparatør.</li></ul>

## GARANTI

### EGOs GARANTIREGLER

Besøk nettsiden [egopowerplus.eu](http://egopowerplus.eu) for å se fullstendige vilkår og betingelser for EGO-garantireglene.

NO

## ПРОЧИТАЙТЕ ВСЕ ИНСТРУКЦИИ!



**ПРОЧИТАЙТЕ РУКОВОДСТВО ПОЛЬЗОВАТЕЛЯ**



Предупреждение об опасности



Используйте защитные очки.

**RU**



Не используйте металлические лезвия



Расстояние между устройством и посторонними лицами должно составлять не менее 15 м.



Диаметр нейлоновой режущей лески.



Соответствует основным требованиям стандартов безопасности Европейских директив.



Неисправные электрические устройства нельзя выбрасывать вместе с бытовым мусором. Сдавайте их в авторизованные пункты сбора и утилизации.

V Напряжение

.../min В минуту

kg Килограмм

## СИМВОЛЫ БЕЗОПАСНОСТИ



**ПРЕДУПРЕЖДЕНИЕ.** В результате работы электроинструмента в глаза могут попасть посторонние предметы, что приведет к серьезному повреждению глаз. Перед началом использования электроинструмента всегда надевайте защитную маску или защитные очки с боковыми щитками и полнопрофильную защитную маску (при необходимости). Поверх очков или стандартных защитных очков рекомендуется надевать безопасную маску с широким обзором.



Внимательно прочитайте руководство пользователя.



Используйте средства защиты органов слуха.



Остерегайтесь выбрасываемых объектов.



Извлекайте аккумулятор перед выполнением технического обслуживания.



Ширина. Макс. ширина резания триммера с леской



данный продукт соответствует действующему законодательству Великобритании.



Гарантированный уровень звуковой мощности  
Уровень шума в окружающей среде в соответствии с директивой ЕС.

$n_0$  Скорость вращения без нагрузки

— — — Постоянный ток

IPX4 Защита от брызг воды

## ХАРАКТЕРИСТИКИ

	Режущая головка	Режущий элемент с тремя зубцами
Напряжение	56 В	56 В
Рекомендуемая рабочая температура	0 °C-40 °C	
Рекомендуемая температура хранения	-20 °C-70 °C	
Оптимальная температура зарядки	5 °C-40 °C	
Скорость вращения без нагрузки	5000/6000 мин <sup>-1</sup>	5000/6000 мин <sup>-1</sup>
Тип режущей лески	2,4 мм	/
Режущий элемент	/	ABV1203
Ширина резания	38 см	30 мм
Масса (без аккумулятора)	4,21 кг	4,45 кг
Измеренный уровень звуковой мощности, L <sub>WA</sub>	94,6 дБ (А) K=1,8 дБ (А)	96,5 дБ (А) K=1,88 дБ (А)
Уровень звукового давления на уши оператора, L <sub>PA</sub>	81,7 дБ (А) K=2,5 дБ (А)	76,5 дБ (А) K=3 дБ (А)
Гарантированный уровень звуковой мощности, L <sub>WA</sub> (в соответствии со стандартом 2000/14/EC)	96 дБ (А)	98 дБ (А)
Вибрация a <sub>h</sub>	Передняя вспомогательная рукоятка	3,2 м/с <sup>2</sup> K=1,5 м/с <sup>2</sup>
	Задняя рукоятка	2,3 м/с <sup>2</sup> K=1,5 м/с <sup>2</sup>

- Указанное общее значение вибрации было определено с помощью стандартного теста и может быть использовано для сравнения разных инструментов.
- Указанное общее значение вибрации также может использоваться для предварительной оценки уровня воздействия.

**ПРИМЕЧАНИЕ.** Реальное вибрационное воздействие электроинструмента может отличаться от указанного в зависимости от способа использования. В целях безопасности оператор должен надевать перчатки и средства защиты органов слуха во время использования устройства.

## ОПИСАНИЕ

### ЧАСТИ ТРИММЕРА (Рис. А1)

1. Ограничительное кольцо
2. Курок
3. Задняя рукоятка
4. Воздухозаборное отверстие
5. Кнопка блокировки
6. Переключатель высокой/низкой скорости
7. Крепление наплечного ремня
8. Регулируемая передняя вспомогательная рукоятка
9. Наплечный ремень
10. Многофункциональный гаечный ключ
11. Шестигранный ключ
12. Головка триммера (катушки)
13. Режущая леска
14. Фиксатор
15. Лезвие для обрезки лески
16. Шиток
17. Выталкивающий механизм
18. Электрические контакты
19. Защелка
20. Резиновая защитная накладка
21. Кнопка фиксации аккумулятора
22. Защитное ограждение (только для головки кустореза)
23. Стопор защитного ограждения (только для головки кустореза)
24. Внешний фланец (только для головки кустореза)
25. Гайка (только для головки кустореза)
26. Винты (только для головки кустореза)

RU

## КОМПЛЕКТ ПОСТАВКИ

НАЗВАНИЕ ДЕТАЛИ	КОЛИЧЕСТВО
Триммер с леской	1
Шиток	1
Узел передней вспомогательной рукоятки	1
Шестигранный ключ	1
Многофункциональный гаечный ключ	1
Плечевой ремень	1
Руководство по эксплуатации	1
Стопор	1
Внешний фланец	1
Гайка	1
Винт	2

## СБОРКА

**⚠ ПРЕДУПРЕЖДЕНИЕ.** Если какие-либо части повреждены или отсутствуют, не используйте устройство, пока они не будут установлены. Использование устройства в случае повреждения

или отсутствия частей может привести к получению серьезной травмы.

**⚠ ПРЕДУПРЕЖДЕНИЕ.** Не пытайтесь изменить конструкцию триммера или использовать не рекомендованные для него дополнительные приспособления. Подобное изменение считается ненадлежащим использованием и способствует возникновению опасной ситуации, которая приведет к получению серьезной травмы.

**⚠ ПРЕДУПРЕЖДЕНИЕ.** Чтобы предотвратить случайное включение устройства и получение серьезной травмы, перед сборкой извлеките аккумулятор.

**⚠ ПРЕДУПРЕЖДЕНИЕ.** Если устройство оборудовано головкой кустореза, необходимо установить защитное ограждение.

RU

## УСТАНОВКА ЩИТКА

**⚠ ПРЕДУПРЕЖДЕНИЕ.** Всегда надевайте перчатки при установке и демонтаже щитка. Остерегайтесь лезвия на щитке и берегите руки от порезов.

**⚠ ПРЕДУПРЕЖДЕНИЕ.** Никогда не используйте устройство без надежно установленного щитка. Щиток всегда должен быть установлен на устройство для защиты пользователя! Не пытайтесь снимать или регулировать установленный щиток. Если щиток необходимо заменить, эту работу должен выполнить квалифицированный специалист по обслуживанию!

1. Выкрутите из щитка два винта (Рис. В).
2. Совместите крепежные отверстия щитка с отверстиями для установки, а затем зафиксируйте щиток на основании вала при помощи двух винтов и двух пружинных шайб (Рис. С).

**ПРИМЕЧАНИЕ.** Убедитесь, что щиток установлен так, как показано на Рис. В и С. Любое другое положение может быть очень опасным!

## УСТАНОВКА И РЕГУЛИРОВКА ПЕРЕДНЕЙ ВСПОМОГАТЕЛЬНОЙ РУКОЯТКИ

1. Ослабьте стопор передней вспомогательной рукоятки, затем снимите стопор и барашковую гайку с передней вспомогательной рукоятки (Рис. D).

**ПРИМЕЧАНИЕ.** Если инструмент оборудован головкой кустореза, установите защитное ограждение на рукоятку-скобу с помощью двух винтов.

**ПРИМЕЧАНИЕ.** Существует два типа стопоров. Короткий предназначен для использования с головкой

триммера. Длинный — для использования с головкой кустореза. Будьте внимательны при выборе стопора перед использованием инструмента.

D-1	Передняя вспомогательная рукоятка	D-4	Защитное ограждение (только для головки кустореза)
D-2	Зажимной блок	D-5	Стопор
D-3	Барашковая гайка		

2. Установите переднюю рукоятку на вал перед ограничительным кольцом. Никогда не размещайте ее между ограничительным кольцом и задней рукояткой (Рис. E).
3. Вставьте зажимной блок в отверстие рукоятки (Рис. F).
4. Установите стопор и предварительно затяните при помощи барашковой гайки. Убедитесь, что передняя вспомогательная рукоятка расположена вертикально и направлена к верхней части задней рукоятки (Рис. G).
5. Отрегулируйте переднюю вспомогательную рукоятку между ограничительным кольцом и этикеткой таким образом, чтобы передняя рука была полностью выпрямлена во время работы (Рис. H).
6. Заблокируйте рычаг стопора (Рис. I).

**⚠ ПРЕДУПРЕЖДЕНИЕ.** Устройство нельзя использовать без надежно установленной передней вспомогательной рукоятки.

## УСТАНОВКА НАПЛЕЧНОГО РЕМНЯ

Для более безопасной и эффективной работы наденьте ремень на одно плечо и через спину.

1. Нажмите на карабин ремня, чтобы открыть его, и присоедините к креплению плечевого ремня (Рис. J).
2. Отрегулируйте длину и положение наплечного ремня. Возьмите триммер обеими руками за заднюю и переднюю рукоятки.

**⚠ ПРЕДУПРЕЖДЕНИЕ.** В случае возникновения чрезвычайной ситуации немедленно снимите его с плеча любым способом.

Не используйте одинарный и двойной наплечные ремни одновременно.

При ношении ремня никакие другие носимые устройства не должны мешать освобождению и снятию ремня.



## ЭКСПЛУАТАЦИЯ

**⚠ ПРЕДУПРЕЖДЕНИЕ.** При работе с данным устройством всегда используйте защитные очки или защитные очки с боковыми щитками, а также средства защиты органов слуха. В противном случае выбрасываемые предметы могут попасть в глаза, что приведет к получению серьезной травмы.

Данное устройство можно использовать в следующих целях.

**Скашивание:** используется для удаления травы и сорняков рядом со стенами, заборами, деревьями и бордюрами.

**Срезание:** используется для скашивания травы, которую трудно достать при помощи обычной газонокосилки.

**ПРИМЕЧАНИЕ.** Инструмент должен использоваться только по назначению. Любое другое использование (например, обрезка кустов) считается ненадлежащим.

### УСТАНОВКА И ДЕМОНТАЖ АККУМУЛЯТОРА

Используйте только аккумуляторы и зарядные устройства, указанные на рис. А2.

**Перед первым использованием полностью зарядите аккумулятор.**

#### Установка

Совместите ребра аккумулятора с крепежными отверстиями и вставьте аккумулятор до щелчка (Рис. К).

#### Демонтаж

Нажмите кнопку фиксации аккумулятора и извлеките аккумулятор, как показано на Рис. L.

L-1	Кнопка извлечения аккумулятора
-----	--------------------------------

### ОБРАЩЕНИЕ С ТРИММЕРОМ С ЛЕСКОЙ

Для более безопасной и эффективной работы надевайте ремень через плечо, как показано на Рис. N. Отрегулируйте наплечный ремень для удобного рабочего положения. Крепко держите триммер двумя руками. Одна рука должна удерживать заднюю рукоятку, а другая — переднюю вспомогательную рукоятку.

**ПРИМЕЧАНИЕ.** Головка триммера должна располагаться параллельно земле на таком расстоянии, при котором оператору не нужно тянуться и перегибаться (Рис. N).

Существует два способа отсоединения ремня. Снимите его непосредственно с плеча (Рис. O) или отстегните карабин и снимите его с крепления наплечного ремня,

прикрепленного к валу (Рис. P).

**⚠ ПРЕДУПРЕЖДЕНИЕ.** Наплечный ремень также является быстроразъемным механизмом, используемым в опасных ситуациях. В случае возникновения чрезвычайной ситуации немедленно снимите его с плеча любым способом.

### ВКЛЮЧЕНИЕ И ВЫКЛЮЧЕНИЕ ТРИММЕРА С ЛЕСКОЙ (Рис. M)

#### Включение

Нажмите на рычаг блокировки, затем зажмите курковый переключатель. Сила нажатия на курок влияет на скорость вращения лески. Чем сильнее нажат курок, тем выше скорость.

#### Выключение

Отпустите курок.

**ПРИМЕЧАНИЕ.** Двигатель работает только в том случае, когда кнопка блокировки и курок зажаты одновременно.

#### Функция регулировки скорости (Рис. M)

Триммер имеет два скоростных режима. Положение «1» соответствует низкой скорости, а положение «2» — высокой.

M-1	Переключатель высокой/низкой скорости
M-2	Кнопка блокировки
M-3	Курок

### ИСПОЛЬЗОВАНИЕ ТРИММЕРА С ЛЕСКОЙ

Очищайте обрабатываемый участок перед каждым использованием инструмента. Удалите такие предметы, как камни, осколки стекла, гвозди, проволоку или веревки, которые могут запутаться в режущем приспособлении или которые оно может отбросить. На участке не должны находиться дети, прохожие и животные. Дети, прохожие и животные должны находиться на расстоянии не менее 15 м, так как во время работы могут отлетать предметы. Посторонние лица должны надевать защитные очки. В случае приближения посторонних лиц немедленно остановите двигатель и режущее приспособление.

**Перед каждым использованием проверяйте устройство на наличие поврежденных и изношенных частей.**

Проверьте головку катушки, щиток и переднюю вспомогательную рукоятку и замените треснувшие, деформированные, изогнутые или поврежденные части.

RU

Лезвие для обрезки лески на краю щитка может время от времени затупляться. Рекомендуется периодически затачивать его напильником или заменять новым.

**⚠ ПРЕДУПРЕЖДЕНИЕ.** Всегда надевайте перчатки при установке или замене щитка, а также заточке или замене лезвия для обрезки лески. Обратите внимание на положение лезвия на щитке и берегите руки от порезов.

### Проверка засорения головки триммера

- Во избежание засорения держите головку триммера в чистоте. Убирайте скошенную траву, листья, грязь и любой другой накопившийся мусор до и после каждого использования.
- Если произошло засорение, остановите триммер и извлеките аккумулятор, а затем удалите всю траву, которая могла наматываться на вал двигателя или головку триммера.

RU

**Очищайте триммер после каждого использования.**

### РЕГУЛИРОВКА ДЛИНЫ РЕЖУЩЕЙ ЛЕСКИ

Режущая головка позволяет оператору вытянуть дополнительное количество лески, не выключая двигатель. Если леска износилась во время использования триммера, слегка прижмите головку триммера к земле, чтобы вытянуть дополнительную леску (Рис. Q).

**ПРИМЕЧАНИЕ.** Вытягивание лески становится сложнее по мере ее укорачивания.

**⚠ ПРЕДУПРЕЖДЕНИЕ.** Не демонтируйте и не изменяйте узел лезвия для обрезки лески. Слишком длинная леска может стать причиной перегрева двигателя и серьезных травм.

### ЗАМЕНА ЛЕСКИ

**ПРИМЕЧАНИЕ.** Используйте рекомендуемую нейлоновую режущую леску диаметром не более 2,4 мм. Использование другой лески может привести к перегреву или повреждению триммера.

**⚠ ПРЕДУПРЕЖДЕНИЕ.** Никогда не используйте усиленную металлом леску, проволоку, веревку и т. д. Части этих материалов могут отделяться и опасно разлетаться в стороны.

1. Извлеките аккумулятор.
2. При необходимости извлеките оставшуюся леску.
3. Отрежьте 4 м лески и вставьте ее в крепежное отверстие внутри ушка (Рис. R). Проденьте и вытяните леску с другой стороны таким образом, чтобы с обеих

сторон катушки леска была одинаковой длины.

4. Прижмите нижнюю крышку и вращайте ее в направлении, указанном стрелкой, чтобы намотать леску на катушку, оставив приблизительно по 14 см с каждой стороны (Рис. S).
5. Прижмите нижнюю крышку и одновременно вытяните обе лески, чтобы вручную отрегулировать длину и проверить правильность сборки головки триммера.

Если режущая леска выскочила из отверстия или не вытягивается при нажатии на головку триммера, следуйте инструкциям ниже.

1. Нажмите на фиксаторы на верхней крышке и потяните нижнюю крышку, чтобы снять (Рис. T и U).
2. Извлеките режущую леску из катушки.
3. Одной рукой удерживайте нижнюю крышку, а другой рукой возьмитесь за нижнюю крышку и совместите выступы на верхней крышке с отверстиями на нижней крышке (Рис. V). Прижмите нижнюю крышку ладонью, чтобы выступы зафиксировались на месте.
4. Инструкции по установке режущей лески см. в разделе «ЗАМЕНА ЛЕСКИ».

### ЗАМЕНА РЕЖУЩЕГО ЭЛЕМЕНТА С ТРЕМЯ ЗУБЦАМИ

**ПРИМЕЧАНИЕ.** Во избежание травм обязательно надевайте перчатки перед выполнением каких-либо действий с режущим элементом с тремя зубцами.

1. Снимите нижнюю крышку, как показано на Рис. T и U.
2. Вставьте фиксатор и открытые гайки с помощью торцевого ключа (Рис. X1 и X2).
3. Снимите все детали, кроме внутреннего фланца и гайки (Рис. X3), затем установите режущий элемент на вал двигателя (Рис. X4).
4. Зафиксируйте режущий элемент (Рис. X5).

**⚠ ПРЕДУПРЕЖДЕНИЕ.** При резке молодой растительности или других древесных материалов со стеблем диаметром не более 2 см используйте левую сторону режущего элемента для предотвращения риска отдачи. Не пытайтесь срезать древесные материалы большего диаметра, так как режущий элемент может застрять и отбросить кусторез вперед. Это может привести к повреждению режущего элемента или кустореза, а также к потере контроля над кусторезом и травмам.

**ПРИМЕЧАНИЕ.** Регулярно затачивайте режущий элемент (когда он заметно затупляется) и выполняйте его балансировку, если требуется (с помощью квалифицированного специалиста).

## ОБСЛУЖИВАНИЕ

**⚠ ПРЕДУПРЕЖДЕНИЕ.** При ремонте используйте только идентичные запасные части. Регулярно проверяйте устройство и выполняйте его обслуживание. Для обеспечения безопасности и надежности устройства его ремонт должен выполнять квалифицированный специалист.

**⚠ ПРЕДУПРЕЖДЕНИЕ.** Чтобы предотвратить получение серьезных травм, извлекайте аккумулятор перед выполнением сервисного обслуживания, очистки, замены принадлежностей или удаления материала из устройства.

**⚠ ВНИМАНИЕ!** Загрязнения в вентиляционных отверстиях могут помешать попаданию воздуха в корпус двигателя и привести к перегреву и повреждению двигателя.

### ОЧИСТКА УСТРОЙСТВА

- Очистите устройство с помощью влажной ткани и мягкого моющего средства. Никогда не допускайте попадания какой-либо жидкости внутрь инструмента и никогда не погружайте никакие части инструмента в жидкость.
- Не используйте активные моющие средства для очистки пластикового корпуса или рукоятки. Они могут быть повреждены определенными ароматическими маслами, такими как хвойное и лимонное масла, а также растворителями, например керосином. Кроме того, наличие влаги может привести к поражению электрическим током. Протрите влажное место мягкой сухой тканью.
- С помощью маленькой щетки или небольшого пылесоса очистите вентиляционные отверстия на задней стороне корпуса.
- Следите за тем, чтобы вентиляционные отверстия на корпусе двигателя всегда были чистыми.

### СМАЗКА ШЕСТЕРНЕЙ РЕДУКТОРА

Шестерни в редукторе необходимо периодически смазывать трансмиссионной смазкой. Проверьте уровень смазки каждые 50 часов работы. Для этого извлеките

уплотнительный винт на боковой стороне корпуса.

Если по бокам шестерней не видно следов смазки, выполните указанные ниже действия, чтобы залить трансмиссионную смазку на 3/4 объема. Не заливайте шестерни редуктора полностью.

1. Положите триммер с леской на бок таким образом, чтобы уплотнительный винт был направлен вверх (Рис. W).
2. Используйте прилагаемый многофункциональный гаечный ключ, чтобы открутить и извлечь уплотнительный винт.
3. Используйте смазочный шприц (не входит в комплект), чтобы впрыснуть немного смазки в отверстие для винта (не более 3/4 объема).
4. Закрутите уплотнительный винт после смазки.

### ХРАНЕНИЕ УСТРОЙСТВА

- Если триммер не используется, извлеките из него аккумулятор.
- Тщательно очистите устройство перед хранением.
- Храните устройство в сухом, хорошо проветриваемом, закрытом или высоком месте, недоступном для детей. Не храните устройство рядом с удобрениями, бензином или другими химическими веществами.
- Во время транспортировки и хранения закрывайте режущий элемент с тремя зубцами чехлом.

### Защита окружающей среды



Не выбрасывайте электроприборы, зарядные устройства и аккумуляторные батареи вместе с бытовыми отходами! Отправьте данное изделие на переработку в специализированное предприятие или сдайте его для раздельного сбора. Электроинструменты должны быть возвращены на перерабатывающее предприятие, не наносящее ущерба окружающей среде.

RU

## УСТРАНЕНИЕ НЕПОЛАДК

ПРОБЛЕМА	ПРИЧИНА	РЕШЕНИЕ
Триммер с леской не запускается.	<ul style="list-style-type: none"> <li>■ Аккумулятор не установлен в триммер.</li> <li>■ Нет электрического контакта между триммером и аккумулятором.</li> <li>■ Аккумулятор разряжен.</li> <li>■ Кнопка блокировки и курковый переключатель не зажаты одновременно.</li> </ul>	<ul style="list-style-type: none"> <li>■ Установите аккумулятор в триммер.</li> <li>■ Извлеките аккумулятор, проверьте контакты и установите его снова.</li> <li>■ Зарядите аккумулятор.</li> <li>■ Нажмите кнопку блокировки и удерживайте ее, затем зажмите курковый переключатель, чтобы включить триммер.</li> </ul>
Триммер с леской остановился во время работы.	<ul style="list-style-type: none"> <li>■ Щиток не установлен на триммер, в результате чего леска стала очень длинной, и двигатель перегрелся.</li> <li>■ Используется слишком толстая режущая леска.</li> <li>■ Вал двигателя и головка триммера забились травой.</li> <li>■ Двигатель перегружен.</li> <li>■ Аккумулятор или триммер перегрелись.</li> <li>■ Аккумулятор не подключен к устройству.</li> <li>■ Аккумулятор разряжен.</li> </ul>	<ul style="list-style-type: none"> <li>■ Извлеките аккумулятор и установите щиток на триммер.</li> <li>■ Используйте рекомендуемую нейлоновую режущую леску диаметром не более 2,4 мм.</li> <li>■ Выключите триммер, извлеките аккумулятор и удалите траву из вала двигателя и головки триммера.</li> <li>■ Поднимите режущую головку над травой. Двигатель начнет работать снова, как только нагрузка уменьшится. Во время скашивания перемещайте головку триммера в траву и из нее, срезая не более 20 см длины за раз.</li> <li>■ Дайте аккумулятору или триммеру остыть, пока температура не упадет ниже 67°C.</li> <li>■ Установите аккумулятор.</li> <li>■ Зарядите аккумулятор.</li> </ul>

RU

ПРОБЛЕМА	ПРИЧИНА	РЕШЕНИЕ
Из головки триммера не вытягивается леска.	<ul style="list-style-type: none"> <li>■ Вал двигателя и головка триммера забились травой.</li> <li>■ Недостаточно лески в катушке.</li> <li>■ Головка триммера загрязнена.</li> <li>■ Леска запуталась в катушке.</li> <li>■ Леска слишком короткая.</li> </ul>	<ul style="list-style-type: none"> <li>■ Выключите триммер, извлеките аккумулятор и очистите вал двигателя и головку триммера.</li> <li>■ Извлеките аккумулятор и замените режущую леску в соответствии с инструкциями в разделе «ЗАМЕНА ЛЕСКИ» данного руководства.</li> <li>■ Извлеките аккумулятор и очистите головку триммера.</li> <li>■ Извлеките аккумулятор, извлеките леску из головки триммера и намотайте ее заново в соответствии с инструкциями в разделе «УСТАНОВКА ЛЕСКИ» данного руководства.</li> <li>■ Извлеките аккумулятор и вручную вытяните леску, нажимая и отпуская головку триммера.</li> </ul>
Трава наматалась на головку триммера и корпус двигателя.	<ul style="list-style-type: none"> <li>■ Стрижка высокой травы на уровне земли.</li> </ul>	<ul style="list-style-type: none"> <li>■ Скашивайте высокую траву сверху вниз и срезайте не более 20 см за один раз, чтобы предотвратить подобные ситуации.</li> </ul>
Трещины на головке триммера или нижней крышке привели к ослаблению верхней крышки.	<ul style="list-style-type: none"> <li>■ Головка триммера изношена.</li> </ul>	<ul style="list-style-type: none"> <li>■ Немедленно выполните замену головки триммера при помощи квалифицированного специалиста.</li> </ul>

## ГАРАНТИЯ

### ГАРАНТИЙНАЯ ПОЛИТИКА EGO

Посетите веб-сайт [egopowerplus.eu](http://egopowerplus.eu), чтобы ознакомиться со всеми условиями и сроками гарантийной политики EGO.

## PRZECZYTAJ WSZYSTKIE INSTRUKCJE!



PRZECZYTAJ INSTRUKCJĘ OBSŁUGI



Ostrzeżenie dotyczące bezpieczeństwa



Noś okulary ochronne



Nie używaj metalowych ostrzy



Odległość między narzędziem a osobami postronnymi musi wynosić co najmniej 15 metrów



Średnica żyłki – średnica nylonowej żyłki tnącej



Ten produkt jest zgodny z obowiązującymi dyrektywami WE.



Zużytych wyrobów elektrycznych nie należy wyrzucać razem ze zwykłymi odpadami domowymi. Należy je oddać do autoryzowanego punktu recyklingu.

V Napięcie

.../min Na minutę

kg Kilogram

## SYMBOLE BEZPIECZEŃSTWA



**OSTRZEŻENIE:** Praca elektronarzędziami może spowodować wyrzucenie ciał obcych w oczy użytkownika, co może doprowadzić do poważnych urazów oczu. Przed rozpoczęciem pracy elektronarzędziem należy zawsze założyć gogle ochronne lub okulary z osłonami bocznymi, a w stosownych przypadkach także pełną osłonę na twarz. Zalecamy nakładanie na zwykłe okulary maski zabezpieczającej o szerokim polu widzenia lub stosowanie standardowych okularów zabezpieczających z osłonami bocznymi.



Przeczytaj ze zrozumieniem instrukcję użytkownika



Noś ochronniki słuchu



Uwaga na przedmioty wyrzucane w powietrze



Przed przystąpieniem do czynności konserwacyjnych należy odłączyć akumulator



Szerokość – Maks. szerokość koszenia podkaszarką



Produkt jest zgodny z obowiązującym ustawodawstwem Wielkiej Brytanii.



Gwarantowany poziom mocy akustycznej. Emisja hałasu do środowiska zgodnie z dyrektywą Wspólnoty Europejskiej.

$n_0$  Prędkość bez obciążenia – Prędkość obrotowa bez obciążenia



Prąd stały

IPX4 Ochrona przed zachlapaniem wodą

## SPECYFIKACJA

	Głowica podkaszarki	Ostrze z 3 zębami
Napięcie	56 V $\overline{\text{---}}$	56 V $\overline{\text{---}}$
Zalecana temperatura użytkowania:	0°C-40°C	
Zalecana temperatura przechowywania:	-20°C-70°C	
Optymalna temperatura ładowania	5°C-40°C	
Prędkość bez obciążenia	5000/6000 min <sup>-1</sup>	5000/6000 min <sup>-1</sup>
Typ żyłki do koszenia	2,4 mm	/
Ostrze tnące	/	ABB1203
Szerokość koszenia	38 cm	30cm
Ciężar (bez akumulatora)	4,21 kg	4,45 kg
Zmierzony poziom mocy akustycznej L <sub>WA</sub>	94,6 dB(A) K=1,8 dB(A)	96,5 dB(A) K=1,88 dB(A)
Poziom ciśnienia akustycznego na wysokości ucha operatora L <sub>PA</sub>	81,7 dB(A) K=2,5 dB(A)	76,5 dB(A) K=3 dB(A)
Gwarantowany poziom mocy akustycznej L <sub>WA</sub> (zgodnie z dyrektywą 2000/14/WE)	96 dB(A)	98 dB(A)
Drgania a <sub>h</sub>	Przedni uchwyt pomocniczy	3,2 m/s <sup>2</sup> K=1,5 m/s <sup>2</sup>
	Uchwyt tylny	2,3 m/s <sup>2</sup> K=1,5 m/s <sup>2</sup>

- Deklarowana całkowita wartość drgań została zmierzona zgodnie ze standardowymi metodami testowania i może służyć do porównywania różnych narzędzi.
- Deklarowana całkowita wartość drgań może również służyć do wstępnej oceny narażenia na drgania.

**UWAGA:** Emisja dźwięku podczas rzeczywistego stosowania elektronarzędzia może różnić się od deklarowanej wartości, w której narzędzie jest używane; aby się zabezpieczyć, użytkownik powinien nosić rękawice i ochronniki na uszy w rzeczywistych warunkach użytkowania.

## OPIS

### ZAPOZNANIE SIĘ Z PODKASZARKĄ (Rys. A1)

1. Pierścień progowy

2. Spust
3. Uchwyt tylny
4. Wlot powietrza
5. Przycisk odblokowujący
6. Przelącznik prędkości duża/mala
7. Zaczep na pasek naramienny
8. Regulowany przedni uchwyt pomocniczy
9. Pasek naramienny
10. Klucz wielofunkcyjny
11. Klucz imbusowy
12. Głowica podkaszarki (głowica-uderzak)
13. Żyłka tnąca
14. Zaczep odblokowujący
15. Ostrze do przycinania żyłki
16. Osłona
17. Mechanizm odłączania
18. Styki elektryczne
19. Zatrzak
20. Gumowa nakładka zabezpieczająca
21. Przycisk odblokowujący akumulator
22. Pałak zabezpieczający (tylko do głowicy kosy do zarośli)
23. Otwór blokujący na pałak zabezpieczający (tylko do głowicy kosy do zarośli)
24. Kołnier z zewnętrzny (tylko do głowicy kosy do zarośli)
25. Nakrętka (tylko do głowicy kosy do zarośli)
26. Śruby (tylko do głowicy kosy do zarośli)

PL

## LISTA ELEMENTÓW W OPAKOWANIU

NAZWY CZĘŚCI	ILOŚĆ
Podkaszarka	1
Osłona	1
Przedni uchwyt pomocniczy – zestaw	1
Klucz imbusowy	1
Klucz wielofunkcyjny	1
Pasek naramienny	1
Instrukcja obsługi	1
Bolec blokujący	1
Kołnier z zewnętrzny	1
Nakrętka	1
Śruba	2

## MONTAŻ

**⚠ OSTRZEŻENIE:** W przypadku braku lub uszkodzenia którejs z części nie należy uruchamiać urządzenia aż do momentu wymiany lub naprawy części. Używanie urządzenia z uszkodzonymi częściami lub gdy którejs z części brakuje może doprowadzić do poważnych urazów ciała.

**⚠ OSTRZEŻENIE:** Nie należy próbować przerabiać urządzenia lub tworzyć akcesoriów, które nie są zalecane do używania w podkaszarce. Wszelkie tego typu zmiany lub modyfikacje są niedozwolone i mogą prowadzić do niebezpiecznych sytuacji oraz poważnych urazów ciała.

**⚠ OSTRZEŻENIE:** Aby zapobiec przypadkowemu włączeniu, które mogłoby spowodować urazy ciała, na czas mocowania części należy zawsze wyjmować z maszyny akumulator.

**⚠ OSTRZEŻENIE:** Jeżeli maszyna jest wyposażona w głowicę kosi do zarośli, na osłonie należy zamontować pałąk zabezpieczający.

PL

### MONTAŻ OSŁONY

**⚠ OSTRZEŻENIE:** Podczas zakładania lub wymieniania osłony należy mieć zawsze założone rękawice. Należy uważać na ostre na osłonie – ryzyko skaleczenia dłoni.

**⚠ OSTRZEŻENIE:** Nigdy nie należy włączać maszyny bez mocno założonej osłony. Aby chronić użytkownika, osłona musi być zawsze założona na maszynę! Jeśli osłona jest założona, nie należy nigdy próbować jej zdejmować lub regulować. Jeśli potrzebna jest wymiana, powinien jej dokonać wykwalifikowany technik!

1. Odkręcić i wyjąć dwie śruby z osłony (Rys. B).
2. Dopasować otwory mocujące do otworów montażowych i przykręcić osłonę na trzonku dwiema śrubami z dwiema podkładkami sprężynującymi (Rys. C).

**UWAGA:** Upewnij się, że osłona jest zamocowana zgodnie z rys. B i C, jakiegokolwiek rodzaju montaż odwrotną stroną stanowi poważne zagrożenie!

### MOCOWANIE I REGULACJA PRZEDNIEGO UCHWYTU POMOCNICZEGO

1. Poluzować bolec blokujący w przednim uchwycie pomocniczym, zdjąć go wraz z nakrętką motylkową z przedniego uchwytu pomocniczego (Rys. D).

**UWAGA:** Zainstalować pałąk zabezpieczający na uchwyt dwiema śrubami, gdy narzędzie jest wyposażone w głowicę do koszenia zarośli.

**UWAGA:** Są dwa rodzaje bółców blokujących, krótszy jest przeznaczony do głowicy tnącej. Dłuższy bolec jest przeznaczony do używania razem z głowicą do koszenia zarośli. Podczas używania narzędzia należy uważać przy wyborze prawidłowego bolca blokującego.

D-1	Przedni uchwyt pomocniczy	D-4	Pałąk zabezpieczający (tylko do głowicy do koszenia zarośli)
D-2	Blok zaciskowy	D-5	Bolec blokujący
D-3	Nakrętka motylkowa		

2. Wcisnąć przedni uchwyt na trzonek z przodu pierścienia progowego. Nigdy nie należy wkładać go między pierścień progowy a okolice tyłu uchwytu (rys. E).
3. Włożyć blok zaciskowy w szczelinę uchwytu (Rys. F).
4. Zamontować bolec blokujący i wstępnie dokręcić go nakrętką motylkową. Dopiłnować, aby przedni uchwyt pomocniczy był skierowany do góry i w stronę górnej części uchwytu tylnego (Rys. G).
5. Wyregulować przedni uchwyt pomocniczy między pierścieniem progowym a etykietą w taki sposób, aby przednie ramię użytkownika było podczas pracy wyprostowane (Rys. H).
6. Zablokować dźwignię bolca blokującego. (Rys. I).

**⚠ OSTRZEŻENIE:** Narzędzia nie można używać bez prawidłowo zamocowanego przedniego uchwytu pomocniczego.

### MONTAŻ PASKA NARAMIENNEGO

Aby zapewnić bezpieczeństwo i usprawnić użytkowanie, na jedno z ramion i na plecy należy założyć pasek.

1. Należy wcisnąć zaczep na pasek, aby go otworzyć i zaczepić go na wieszaku mocującym paska naramiennego (Rys. J).
2. Długość i położenie paska na ramię należy wyregulować do wygodnej pozycji roboczej, a podkaszarkę trzymać oburącz: jedną ręką na tylnym, a drugą na przednim uchwycie.

**⚠ OSTRZEŻENIE:** W sytuacji awaryjnej należy go natychmiast zdjąć z ramienia, niezależnie od sposobu założenia paska.

Nie należy używać jednocześnie paska zakładanego na jedno ramię i paska zakładanego na oba ramiona.

Podczas noszenia paska nie należy nosić niczego, co mogłoby przeszkadzać w odpięciu i zdjęciu paska.



## UŻYTKOWANIE

**⚠ OSTRZEŻENIE:** Należy zawsze nosić gogle ochronne lub okulary ochronne z osłonami bocznymi, a także ochronniki słuchu. Nieprzestrzeganie tego zalecenia może doprowadzić do poważnych obrażeń oczu odłamkiem lub skrawkiem materiału wyrzuconym przez pracującą narzędzie, a także grozi innymi możliwymi urazami.

Urządzenia można używać wyłącznie do celów podanych poniżej:

**Podkaszanie:** usuwanie trawy i chwastów przy ścianach, plotach, drzewach i na brzegach.

**Koszenie:** koszenie trawy w miejscach trudno dostępnych dla zwykłej kosiarki.

**UWAGA:** Narzędzia należy używać tylko do celów zgodnych z przeznaczeniem. Wszelkie inne zastosowania, np. przycinanie krawędzi, uznaje się za niezgodne z przeznaczeniem.

### ZAKŁADANIE/WYJMOWANIE AKUMULATORA

W urządzeniu należy używać wyłącznie akumulatorów i ładowarek podanych na rys. A2.

### Całkowicie naładować przed pierwszym użyciem

#### Zakładanie

Należy dopasować żeberka akumulatora do szczelin mocujących i wsunąć akumulator do ładowarki aż da się słyszeć kliknięcie (Rys. K).

#### Wijmowanie

Wcisnąć przycisk wyjmowania akumulatora i wysunąć akumulator tak jak na Rys. L.

L-1	Przycisk odblokowywania akumulatora
-----	-------------------------------------

### TRZYMANIE PODKASZARKI

Aby bezpieczniej i lepiej pracować narzędziem, należy przelożyć przez ramię pasek na ramię, tak jak na Rys. N. Pasek należy wyregulować w taki sposób, aby zagwarantować wygodną pozycję pracy. Narzędzie należy trzymać obydwiema rękoma: jedną ręką na uchwycie tylnym, a drugą na przednim uchwycie pomocniczym.

**UWAGA:** Głowica podkaszarki jest ustawiona równolegle do ziemi i na odpowiedniej wysokości cięcia, tak że operator nie musi się nachylać (Rys. N).

Pasek można rozpiąć na dwa sposoby. Można go bezpośrednio zdjąć z ramienia (Rys. O) lub można nacisnąć zaczep na pasku i zdjąć go z mocowania paska naramiennego na trzonku (Rys. P).

**⚠ OSTRZEŻENIE:** Pasek naramienny jest także mechanizmem szybkiego odczepiania w niebezpiecznych sytuacjach. W sytuacji awaryjnej należy go natychmiast zdjąć z ramienia, niezależnie od sposobu założenia paska.

### WŁĄCZANIE/WYŁĄCZANIE PODKASZARKI (Rys. M)

#### Włączanie

Należy wcisnąć dźwignię odblokowującą, a następnie nacisnąć spust. Zmiana siły nacisku na spust powoduje zmianę prędkości obrotów żyłki tnącej. Im silniej naciskany jest spust, tym większa prędkość.

#### Wyłączanie

Puścić przycisk spustowy.

**UWAGA:** Silnik będzie pracował tylko pod warunkiem wcisnięcia zarówno przycisku odblokowującego jak i spustu.

### Funkcja regulacji prędkości (Rys. M)

Podkaszarka ma dwa ustawienia prędkości. Pozycja „1” oznacza małą prędkość, pozycja „2” – dużą prędkość.

M-1	Przełącznik prędkości duża/mala
M-2	Przycisk odblokowujący
M-3	Spust

### UŻYWANIE PODKASZARKI

Przed każdym użyciem narzędzia należy uprzątnąć teren pracy. Usunąć wszystkie przedmioty takie jak kamienie, potłuczone szkło, gwoździe, kawałki drutu lub sznurka itp., które mogą zostać wyrzucone w powietrze lub mogą zaplątać się w końcówkę tnącą. Z terenu, który ma zostać skoszony wyprosić dzieci i osoby postronne oraz wygonić zwierzęta. Jako minimum dzieci i osoby postronne oraz zwierzęta muszą znajdować się w odległości 15 m, jednak taka odległość nadal nie eliminuje całkowicie ryzyka trafienia wyrzuconymi w powietrze przedmiotami. Osoby postronne należy zachęcać do noszenia okularów ochronnych. Jeśli do użytkownika zbliży się jakaś osoba, należy natychmiast wyłączyć silnik i zatrzymać końcówkę tnącą.

### Przed każdym użyciem należy sprawdzić, czy jakiejś części nie są uszkodzone lub zużyte.

Należy skontrolować głowicę-uderzak, osłonę i przedni uchwyt pomocniczy oraz wymienić części pęknięte, wypaczone, skrzywione lub uszkodzone w jakikolwiek sposób.

Ostrze do żyłki tnącej na krawędzi osłony może się z czasem stępić. Zaleca się je okresowo ostrzyć pilnikiem lub wymieniać na nowe.

**⚠ OSTRZEŻENIE:** Na czas mocowania lub zdejmowania osłony lub ostrzenia lub wymieniania ostrza do przycinania żyłki należy zawsze zakładać rękawice. Należy zwrócić uwagę na położenie ostrza na osłonie i chronić ręce przed skaleczeniem ostrzem.

### Sprawdzić, czy głowica podkaszarki nie jest zablokowana

- Aby nie dopuścić do zablokowania, należy dbać o to, aby głowica podkaszarki była czysta. Usuń ścińki trawy, liście, brud i wszelkie inne nagromadzone zanieczyszczenia przed i po każdym użyciu.
- W przypadku zablokowania należy zatrzymać podkaszarkę i wyjąć akumulator, a następnie usunąć trawę, która mogła owinać się wokół wału silnika lub głowicy podkaszarki.

Po każdym użyciu należy wyczyścić podkaszarkę.

### REGULACJA DŁUGOŚCI ŻYŁKI TNAĆCEJ

Głowica-uderzak pozwala operatorowi wysuwać więcej żyłki tnącej bez wyłączania silnika. W miarę jak żyłka strzępi się i zużywa, dodatkową żyłkę można wysunąć lekkim uderzeniem głowicą podkaszarki w ziemię w czasie, gdy podkaszarka pracuje (Rys. Q).

**UWAGA:** Im krótsza żyłka, tym trudniejsze staje się jej wysuwanie.

**⚠ OSTRZEŻENIE:** Nie należy demontować lub przerabiać ostrza do żyłki. Zbyt długa żyłka prowadzi do przegrzewania się silnika i może spowodować poważne urazy ciała.

### WYMIANA ŻYŁKI

**UWAGA:** Należy zawsze używać zalecanej nylonowej żyłki tnącej o średnicy nie większej niż 2,4 mm. Używanie żyłki innego typu może prowadzić do przegrzewania się podkaszarki i spowodować jej uszkodzenie.

**⚠ OSTRZEŻENIE:** Nigdy nie należy używać żyłek wzmocnionych metalem, drutów, sznurków itp. Mogą się one utamać i zmienić w niebezpieczne pociski.

1. Wyjąć akumulator.
2. Jeśli jest to konieczne, wyjąć pozostałą żyłkę tnącą.
3. Odciąć 4 m żyłki tnącej. Włożyć żyłkę do otworu mocującego w środku przelotki (Rys. R). Wcisnąć żyłkę i wyciągnąć ją z drugiej strony, tak aby po obu stronach szpulki znajdowało się tyle samo żyłki.
4. Obracać osłonę dolną w kierunku zaznaczonym strzałką i nacisnąć ją, aby nawinąć żyłkę na szpulę

tak, aby po obu stronach widać było około 14 cm żyłki (Rys. S).

5. Nacisnąć osłonę mocującą szpulę w dół i jednocześnie pociągnąć żyłki, aby je ręcznie wysunąć, sprawdzić prawidłowe złożenie głowicy podkaszarki.

Gdy żyłka tnąca urwie się na wylocie żyłki lub gdy żyłka tnąca nie wysuwa się z głowicy podkaszarki pod wpływem uderzenia głowicą o ziemię, należy wówczas wykonać następujące kroki:

1. Wcisnąć zaczepy odblokowujące w osłonie dolnej i zdjąć osłonę (Rys. T i U).
2. Wyjąć żyłkę tnącą ze szpulki.
3. Jedną ręką przytrzymać osłonę dolną, a drugą chwycić osłonę dolną i dopasować zaczepy w osłonie górnej do otworów w osłonie dolnej (Rys. V). Środkiem dłoni docisnąć osłonę dolną, aż zaczepy zablokują się w osłonie górnej.
4. Wykonać instrukcje podane w części „WYMIANA ŻYŁKI”, aby ponownie założyć żyłkę tnącą.

### WYMIANA OSTRZA Z 3 ZĘBAMI

**UWAGA:** Aby nie dopuścić do urazów, przed rozpoczęciem pracy ostrzem z 3 zębami należy założyć rękawice.

1. Zdjąć osłonę dolną, tak jak na Rys. T i U.
2. Włożyć stabilizator, a potem kluczem udarowym odkręcić nakrętkę, tak jak na Rys. X1 i X2.
3. Zdemontować wszystkie części z wyjątkiem kołnierza wewnętrznego i nakrętki (Rys. X3), zamontować ostrze na wałek silnika, tak jak na Rys. X4.
4. Dokręcić ostrze tak jak na Rys. X5.

**⚠ OSTRZEŻENIE:** Podczas ścinania młodych odrostów lub innych zdrewniałych pędów o średnicy do 2 cm należy używać lewej strony ostrza, aby nie dopuścić do sytuacji grozących odbiciem. Nie należy próbować zdrewniałych pędów o większej średnicy, ponieważ ostrze mogłoby zakleszczyć się lub szarpnąć kosą do przodu. Mogłoby to doprowadzić do uszkodzenia ostrza lub kosy lub spowodować utratę kontroli nad kosą, co w efekcie mogłoby doprowadzić do urazów.

**UWAGA:** Ostrze należy regularnie ostrzyć (gdy się wyraźnie stępi). W razie potrzeby należy je też wyważyć (czynność tę powinien wykonać wykwalifikowany technik serwisu).

## KONSERWACJA

**⚠ OSTRZEŻENIE:** Podczas serwisowania należy używać wyłącznie części zamiennych identycznych z oryginalnymi. Narzędzie należy regularnie kontrolować i konserwować. Aby zagwarantować bezpieczeństwo i niezawodność, wszystkie naprawy powinny być wykonywane przez wykwalifikowanych techników serwisu.

**⚠ OSTRZEŻENIE:** Aby uniknąć poważnych obrażeń ciała, przed serwisowaniem, czyszczeniem, wymianą osprzętu dodatkowego i należy zawsze wyjmować z narzędzia akumulator.

**⚠ OSTROŻNIE:** Zanieczyszczenia w otworach wentylacyjnych uniemożliwiają dopływ powietrza do obudowy silnika i w efekcie prowadzą do przegrzania się i uszkodzenia silnika.

## CZYSZCZENIE URZĄDZENIA

- Wyrób należy czyścić wilgotną ściereczką i łagodnym detergentem. Do środka urządzenia nie mogą się dostać żadne płyny, nie wolno też zanurzać części urządzenia w jakiegokolwiek cieczy.
- Do czyszczenia części plastikowych lub uchwytu nie należy używać jakichkolwiek silnych detergentów. Mogą one zostać uszkodzone przez niektóre olejki aromatyczne, takie jak olejek sosnowy i cytrynowy oraz przez rozpuszczalniki takie jak nafta. Wilgoć może także spowodować porażenie prądem. Wszelką wilgoć należy wycierać miękką suchą ściereczką.
- Do czyszczenia otworów wentylacyjnych w tylnej części obudowy należy używać małej szczoteczki lub małego odkurzacza.
- Otwory wentylacyjne w obudowie silnika nie mogą być nigdy zabrudzone.

## SMAROWANIE PRZEKŁADNI TRANSMISYJNEJ

Przekładnia transmisyjna wymaga okresowego smarowania smarem do przekładni. Co 50 godzin pracy, należy kontrolować stan smaru w obudowie przekładni: w tym celu należy zdjąć śrubę uszczelniającą z boku obudowy.

Jeśli po bokach przekładni nie widać w ogół smaru, należy wykonać kroki podane poniżej w celu napełnienia obudowy smarem do 3/4 pojemności. Przekładni transmisyjnej nie należy całkowicie napełniać.

1. Położyć podkaszarkę na boku tak, aby śruba uszczelniająca była skierowana do góry (Rys. W).
2. Kluczem wielofunkcyjnym odkręcić i zdjąć śrubę uszczelniającą.

3. Użyć strzykawki olejowej (do dokupienia osobno), aby wstrzyknąć odrobinę smaru w otwór na śrubę; nie przekraczać 3/4 pojemności.
4. Po wstrzyknięciu smaru dokręcić śrubę uszczelniającą.

## PRZECHOWYWANIE URZĄDZENIA

- Gdy podkaszarka nie będzie używana, należy wyjąć z niej akumulator.
- Przed schowaniem dokładnie wyczyścić narzędzie.
- Urządzenie należy przechowywać w suchym i przewiewnym miejscu niedostępnym dla dzieci: albo pod kluczem, albo wystarczająco wysoko. Urządzenia nie należy przechowywać na nawozach lub w ich pobliżu, to samo dotyczy podłoży zanieczyszczonych benzyną i substancjami chemicznymi.
- Na czas transportu i przechowywania, na ostrze z 3 zębami należy zakładać osłonę.

## Ochrona środowiska



Urządzeń elektrycznych, zużytych akumulatorów i ładowarki nie należy wyrzucać do zwykłych zmieszanych śmieci domowych! Produkt należy oddać do zbiórki selektywnej w autoryzowanym punkcie recyklingu. Narzędzia elektryczne należy oddawać do zakładów recykling przyjaznych dla środowiska.

**PL**

## ROZWIĄZYWANIE PROBLEMÓW

PROBLEM	PRZYCZYNA	ROZWIĄZANIE
Podkaszarka nie włącza się.	<ul style="list-style-type: none"> <li>■ Do podkaszarki nie włożono akumulatora.</li> <li>■ Podkaszarka i akumulator nie kontaktują.</li> <li>■ Akumulator jest rozładowany.</li> <li>■ Przycisk odblokowujący i przełącznik spustowy nie zostały wciśnięte jednocześnie.</li> </ul>	<ul style="list-style-type: none"> <li>■ Włożyć akumulator do podkaszarki.</li> <li>■ Wyjąć akumulator, sprawdzić styki i założyć akumulator z powrotem.</li> <li>■ Naładować akumulator.</li> <li>■ Aby włączyć podkaszarkę, należy wcisnąć i przytrzymać przycisk odblokowujący, a następnie nacisnąć przełącznik spustowy.</li> </ul>
Podkaszarka wyłącza się podczas koszenia.	<ul style="list-style-type: none"> <li>■ Na podkaszarce nie ma zamontowanej osłony, przez co żyłka jest za długa i dochodzi do przeciążenia silnika.</li> <li>■ Używana jest ciężka żyłka.</li> <li>■ Walek silnika lub głowica podkaszarki są zapchane trawą.</li> <li>■ Silnik jest przeciążony.</li> <li>■ Akumulator lub podkaszarka są zbyt gorące.</li> <li>■ Akumulator jest odłączony od narzędzia.</li> <li>■ Akumulator jest rozładowany.</li> </ul>	<ul style="list-style-type: none"> <li>■ Wyjąć akumulator i zamocować osłonę w podkaszarce.</li> <li>■ Używać zalecanej nylonowej żyłki tnącej o średnicy nie większej niż 2,4 mm.</li> <li>■ Zatrzymać podkaszarkę, wyjąć akumulator i usunąć trawę z wálka silnika i głowicy podkaszarki.</li> <li>■ Wyjąć głowicę podkaszarki z trawy. Gdy tylko obciążenie zostanie usunięte, silnik wznowi pracę. Podczas koszenia przesuwac głowicę podkaszarki w koszoną trawę i wysuwać ją z niej, nie więcej niż o 20 cm długości w jednym cięciu.</li> <li>■ Pozwolić, aby akumulator lub podkaszarka ostygły do temperatury poniżej 67°C.</li> <li>■ Ponownie założyć akumulator.</li> <li>■ Naładować akumulator.</li> </ul>

PL

PROBLEM	PRZYCZYNA	ROZWIĄZANIE
Głowica podkaszarki nie wysuwa żyłki.	<ul style="list-style-type: none"> <li>■ Wałek silnika lub głowica podkaszarki są zapchane trawą.</li> <li>■ W szpuli jest za mało żyłki.</li> <li>■ Głowica podkaszarki jest zabrudzona.</li> <li>■ Żyłka zaplątała się w szpuli.</li> <li>■ Żyłka jest za krótka.</li> </ul>	<ul style="list-style-type: none"> <li>■ Zatrzymać podkaszarkę, wyjąć akumulator i wyczyścić wałek silnika i głowicę podkaszarki.</li> <li>■ Wyjąć akumulator i wymienić żyłkę tnącą; patrz część „WYMIANA ŻYŁKI” w niniejszej instrukcji.</li> <li>■ Wyjąć akumulator i wyczyścić głowicę podkaszarki.</li> <li>■ Wyjąć akumulator, wyjąć żyłkę z głowicy podkaszarki i przewinąć; patrz część „PONOWNE ZAKŁADANIE ŻYŁKI TNĄCEJ” w niniejszej instrukcji</li> <li>■ Wyjąć akumulator i ręcznie pociągnąć żyłki, jednocześnie na przemian wciskać i puszczać głowicę podkaszarki.</li> </ul>
Trawa owija się wokół głowicy podkaszarki i obudowy silnika.	<ul style="list-style-type: none"> <li>■ Koszenie wysokiej trawy tuż przy ziemi.</li> </ul>	<ul style="list-style-type: none"> <li>■ Wysoką trawę kosić od góry ku dołowi, za jednym razem skracać źdźbła nie więcej niż o 20 cm, aby nie dopuścić do owijania się trawy wokół głowicy.</li> </ul>
Pęknięcia na głowicy podkaszarki lub osłona dolna odzepia się od osłony górnej.	<ul style="list-style-type: none"> <li>■ Głowica podkaszarki jest zużyta.</li> </ul>	<ul style="list-style-type: none"> <li>■ Natychmiast wymienić głowicę podkaszarki. Czynność tę powinien wykonać wykwalifikowany technik serwisu.</li> </ul>

## GWARANCJA

### POLITYKA GWARANCYJNA EGO

W celu zapoznania się z wszystkimi warunkami polityki gwarancyjnej EGO prosimy odwiedzić stronę [egopowerplus.eu](http://egopowerplus.eu).

## PŘEČTĚTE SI VŠECHNY POKYNY!



**PŘEČTĚTE SI NÁVOD K OBSLUZE**



Bezpečnostní upozornění



Používejte ochranu očí



Nepoužívejte kovové čepele



Vzdálenost mezi nářadím a ostatními osobami musí být nejméně 15 m.



Průměr žací struny - Průměr nylonové žací struny



Tento výrobek je v souladu s platnými směrnici ES.



Odpadní elektrické výrobky se nesmí likvidovat s domovním odpadem. Odevzdejte je do autorizovaného recyklačního střediska.

V Napětí

.../min Za minutu

kg Kilogram

## BEZPEČNOSTNÍ SYMBOLY

**VAROVÁNÍ:** Při použití elektrického nářadí může dojít k vymrštění cizích těles do očí, což může způsobit jejich závažné poškození. Před použitím elektrického nářadí si vždy nasadte ochranné brýle, ochranné brýle s bočními kryty nebo v případě potřeby obličejový štít. Na brýle nebo standardní ochranné brýle s bočními kryty doporučujeme použít ochrannou masku.



Přečtěte si návod k obsluze a porozumějte mu.



Používejte chrániče sluchu



Pozor na odhozené předměty



Před údržbou odpojte akumulátor



Max. šířka sekání strunové sekačky



Tento výrobek je v souladu s příslušnou britskou legislativou.



Zaručená hladina akustického výkonu. Emise hluku do prostředí dle směrnice Evropského společenství.

$n_0$  Rychlost v chodu naprázdno - Otáčky při chodu naprázdno

⚡ Stejnoseměrný proud

IPX4 Ochrana před stříkající vodou

## TECHNICKÉ ÚDAJE

	Hlava sekačky (strunová hlava)	3-zubá čepel	
Napětí	56 V	56 V	
Doporučená provozní teplota	0°C-40°C		
Doporučená skladovací teplota	-20°C-70°C		
Optimální teplota nabíjení	5°C-40°C		
Rychlost při chodu naprázdno	5000/6000 min <sup>-1</sup>	5000/6000 min <sup>-1</sup>	
Typ žací struny	2,4 mm	/	
Střížná lišta	/	ABB1203	
Šířka sekání	38 cm	30cm	
Hmotnost (bez akumulátoru)	4,21 kg	4,45 kg	
Měřená hladina akustického výkonu L <sub>WA</sub>	94,6 dB(A) K=1,8 dB(A)	96,5 dB(A) K=1,88 dB(A)	
Hladina akustického tlaku na sluch obsluhy L <sub>PA</sub>	81,7 dB(A) K=2,5 dB(A)	76,5 dB(A) K=3 dB(A)	
Zaručená úroveň akustického výkonu L <sub>WA</sub> (podle směrnice 2000/14/ES)	96 dB(A)	98 dB(A)	
Vibrace a <sub>h</sub>	Přední pomocná rukojeť	3,2 m/s <sup>2</sup> K=1,5 m/s <sup>2</sup>	2,8 m/s <sup>2</sup> K=1,5 m/s <sup>2</sup>
	Zadní rukojeť	2,3 m/s <sup>2</sup> K=1,5 m/s <sup>2</sup>	3,1 m/s <sup>2</sup> K=1,5 m/s <sup>2</sup>

- Celková deklarovaná hodnota vibrací byla naměřena podle standardní zkušební metody a lze ji použít ke srovnání s jiným nářadím;
- Celkovou deklarovanou hodnotu vibrací lze použít také k předběžnému stanovení expozičních limitů.

**POZNÁMKA:** Emise vibrací při konkrétním použití elektrického nářadí se mohou lišit od deklarované hodnoty, při které se nářadí používá; z důvodu ochrany provozovatele by měl uživatel ve skutečných pracovních podmínkách nosit rukavice a chrániče sluchu.

## POPIS

**SEZNAMTE SE S NAŠÍ STRUNOVOU SEKAČKOU (obr. A1)**

1. Prahový kroužek
2. Spouštěč
3. Zadní rukojeť
4. Přívod vzduchu
5. Blokovací tlačítko
6. Přepínač vysoké/nízké rychlosti
7. Poutko ramenního popruhu
8. Stavitelná přední pomocná rukojeť
9. Ramenní popruh
10. Multifunkční klíč
11. Imbusový klíč
12. Strunová hlava (Bump Head)
13. Žací struna
14. Uvolňovací západka
15. Ořezávací čepel pro strunu
16. Kryt
17. Vysunovací mechanismus
18. Elektrické kontakty
19. Západka
20. Ochranní gumová podložka
21. Tlačítko pro uvolnění akumulátoru
22. Bezpečnostní zábránová tyč (pouze pro hlavu křovinořezu)
23. Zajišťovací tyčka pro bezpečnostní zábránovou tyč (pouze pro hlavu křovinořezu)
24. Vnější příruba (pouze pro hlavu křovinořezu)
25. Matice (pouze pro hlavu křovinořezu)
26. Šrouby (pouze pro hlavu křovinořezu)

**GZ**

## OBSAH BALENÍ

NÁZEV DÍLU	NÁZEV DÍLU
Strunová sekačka	1
Kryt	1
Sestava přední pomocné rukojeti	1
Imbusový klíč	1
Multifunkční klíč	1
Ramenní popruh	1
Návod k obsluze	1
Zajišťovací tyčka	1
Vnější příruba	1
Matice	1

Šroub	2
-------	---

## MONTÁŽ

**VAROVÁNÍ:** Pokud jsou některé díly poškozené, nebo chybí, nepoužívejte výrobek, dokud se díly nevymění. Použití tohoto výrobku s poškozenými nebo chybějícími díly může vést k vážnému úrazu.

**VAROVÁNÍ:** Nepokoušejte se výrobek upravovat ani vytvářet příslušenství, které není pro tuto strunovou sekačku doporučeno. Každá taková změna nebo úprava je nesprávná a může vést k nebezpečné situaci, která může zapříčinit vážný úraz.

**VAROVÁNÍ:** Pokud provádíte montáž dílů, vždy vyjměte akumulátor ze stroje, aby nedošlo k neúmyslnému spuštění, které může způsobit vážný úraz.

**VAROVÁNÍ:** Když je stroj vybaven hlavou křovinořezu, je třeba namontovat bezpečnostní zábranu.

CZ

## MONTÁŽ CHRÁNIČE

**VAROVÁNÍ:** Při montáži nebo výměně krytu vždy používejte rukavice. Pozor na nůž na krytu, chraňte si ruce před pořízáním.

**VAROVÁNÍ:** Nikdy nepoužívejte stroj bez řádně nainstalovaného krytu. Kryt musí být vždy na stroji z důvodu ochrany uživatele! Pokud je kryt instalovaný napevno, nikdy se jej nepokoušejte odstranit nebo upravit; pokud je nezbytná výměna, musí být provedena kvalifikovaným servisním technikem!

1. Povolte a vyjměte čtyři šrouby z krytu (obr. B).
2. Srovnajte upevňovací otvory krytu s montážními otvory a pomocí dvou šroubů se dvěma pružnými podložkami upevněte kryt ke spodní části hřídele (obr. C).

**POZNÁMKA:** Zkontrolujte, zda je kryt upevněn podle obr. B a C, obrácené upevnění představuje vysoké riziko!

## MONTÁŽ A NASTAVENÍ PŘEDNÍ POMOČNÉ RUKOJETI

1. Uvolněte zajišťovací tyčku v přední pomocné rukojeti z přední pomocné rukojeti vyjměte zajišťovací tyčku a křídlovou matici (obr. D).

**POZNÁMKA:** Namontujte sestavu zábranové tyče na obloukovou rukojeť pomocí dvou šroubů, pokud je nástroj vybaven hlavou křovinořezu.

**POZNÁMKA:** K dispozici jsou dva druhy zajišťovacích tyček. Kratší je pro hlavu sekačky. Delší je pro hlavu křovinořezu. Pro práci s nástrojem si vhodně zvolte správnou zajišťovací tyčku.

D-1	Přední pomocná rukojeť	D-4	Bezpečnostní zábranová tyč (pouze pro hlavu křovinořezu)
D-2	Upínací blok	D-5	Zajišťovací tyčka
D-3	Křídlová matice		

2. Nasuňte obloukovou rukojeť na hřídel na přední stranu prahového kroužku. Nikdy ji nedávejte mezi prahový kroužek a zadní část rukojeti (obr. E).
3. Vložte upínací blok do slotu rukojeti (obr. F).
4. Namontujte zajišťovací tyčku a přitáhněte křídlovou matici. Ujistěte se, že přední pomocná rukojeť je vzhůru a směřuje k horní části zadní rukojeti (obr. G).
5. Upravte přední pomocnou rukojeť mezi prahový kroužek a štítek tak, aby přední rameno bylo při používání rovné (obr. H).
6. Zajistěte páčku zajišťovací tyčky (obr. I).

**VAROVÁNÍ:** Nářadí nelze používat bez bezpečně upevněné přední pomocné rukojeti.

## PŘÍPEVNĚNÍ RAMENNÍHO POPRUHU

Pro bezpečné a lepší ovládání si dejte popruh přes jedno z ramen a přes záda.

1. Stlačte háček popruhu pro otevření a připojte ho na poutko ramenního popruhu (obr. J).
2. Nastavte délku a umístění ramenního popruhu do pohodlné provozní polohy – sekačku držte oběma rukama: jednou rukou za zadní rukojeť a druhou rukou za přední rukojeť.

**VAROVÁNÍ:** Dojde-li k nouzové situaci, okamžitě si odepněte popruh z ramene bez ohledu na to, jakým způsobem je popruh připnutý.

Nepoužívejte současně jednoduchý a zdvojený ramenní popruh.

Při nošení popruhu nesmí žádný jiný předmět bránit jeho uvolnění a sejmutí.

## POUŽITÍ

**VAROVÁNÍ:** Vždy používejte ochranné brýle nebo bezpečnostní brýle s bočním štítem spolu s ochranou sluchu. V opačném případě může dojít k vymrštění předmětu do očí, nebo případně jiným vážným úrazům.



Výrobek lze použít k následujícím účelům:

**Zarovnávaní:** slouží k odstranění trávy a plevele u zdí, plotů, stromů a obrubníků.

**Sekání:** slouží k sekání trávy, která je pro běžnou sekačku obtížně dostupná.

**POZNÁMKA:** Nářadí se smí používat pouze k vyhrazenému účelu. Jakékoliv jiné použití, např. vysekávání rohů, se považuje za nesprávné.

## INSTALACE/VYJMUTÍ AKUMULÁTORU

Používejte pouze akumulátory a nabíječky uvedené na obr. A2.

**Před prvním použitím plně nabijte akumulátor.**

### Instalace

Srovnejte žebrování akumulátoru s instalačními drážkami a zatlačte na akumulátor, dokud neuslyšíte „cvaknutí“ (obr. K).

### Vyjmutí

Stiskněte tlačítko pro uvolnění akumulátoru a vytáhněte jej, jak je to znázorněno na obr. L.

L-1	Tlačítko pro uvolnění akumulátoru
-----	-----------------------------------

## JAK DRŽET STRUNOVOU SEKAČKU

Pro bezpečnější a lepší provoz si dejte ramenní popruh přes rameno, obr. N. Nastavte ramenní popruh do pohodlné provozní polohy. Držte strunovou sekačku oběma rukama: Jednu ruku na zadní rukojeti a druhou ruku na přední pomocné rukojeti.

**POZNÁMKA:** Strunová hlava je rovnoběžná se zemí ve správné žací vzdálenosti, aniž by se musela obsluha překlontit (obr. N).

Existují dva způsoby, jak uvolnit popruh: Sundejte ho z ramene přímo (obr. O), nebo stiskněte háček popruhu a uvolněte ho z poutka ramenního popruhu upevněného na hřídeli (obr. P).

**VAROVÁNÍ:** Ramenní popruh je vybaven rychlouvolňovacím mechanismem pro nebezpečné situace. Dojde-li k nouzové situaci, okamžitě si odepněte popruh z ramene bez ohledu na to, jakým způsobem je popruh připnutý.

## SPUŠTĚNÍ/VYPNUTÍ STRUNOVÉ SEKAČKY (obr. M)

### Spuštění

Stlačte páčku pojistky a stiskněte spoušť. Různá intenzita stisku spouště vede k proměnlivým otáčkám žací struny. Vyšší intenzita, vyšší rychlost.

## Zastavení

Uvolněte spouštěč.

**POZNÁMKA:** Motor se spustí, pouze když jsou tlačítka pojistky a spoušť stisknuta současně.

## Funkce nastavení rychlosti (Obr. M)

Strunová sekačka má dvě rychlosti. Poloha „1“ je určena pro nízké rychlosti, zatímco poloha „2“ pro vysoké rychlosti.

M-1	Přepínač vysoké/nízké rychlosti
M-2	Blokovací tlačítko
M-3	Spouštěč

## POUŽITÍ STRUNOVÉ SEKAČKY

Před každým použitím vyčistěte prostor, kde budete sekat. Odstraňte veškeré předměty, jako jsou např. kameny, rozbité sklo, hřebíky, dráty nebo provazy, které mohou být vrženy, nebo se mohou do žacího nástavce zaplést. Z prostoru vyžeňte děti, ostatní osoby a domácí zvířata. Minimální bezpečná vzdálenost pro děti, ostatní osoby a domácí zvířata je 15 m; stále však hrozí riziko zasažení ostatních osob vymrštěnými předměty. Ostatním osobám doporučte použití ochrany očí. Pokud se k vám někdo blíží, okamžitě vypněte motor a žací příslušenství.

## Před každým použitím zkontrolujte poškozené/opotřebené díly

Zkontrolujte strunovou hlavu, kryt, přední pomocnou rukojet a vyměňte díly, které jsou prasklé, zdeformované, ohnuté nebo jinak poškozené.

Ořezávací čepel pro strunu na okraji chrániče se může v průběhu času otupit. Doporučujeme ji pravidelně brousit pilníkem, nebo vyměnit za novou.

**VAROVÁNÍ:** Při montáži nebo výměně krytu nebo při broušení nebo výměně ořezávací čepele vždy používejte rukavice. Poznamenejte si umístění čepele na krytu a chraňte si ruce před zraněním.

## Zkontrolujte, zda se hlava sekačky nezablokovala.

- Abyste zabránili ucpaní, udržujte hlavu sekačky v čistotě. Před každým použitím a po něm odstraňte posekanou trávu, listí, nečistoty a další nahromaděné zbytky.
- Pokud dojde k zablokování, zastavte sekačku a vyjměte akumulátor, poté odstraňte trávu, která se mohla omotat kolem hřídele motoru nebo hlavy sekačky.

## Po každém použití sekačku vyčistěte.

## NASTAVENÍ DÉLKY ŽACÍ STRUNY

Strunová hlava umožňuje obsluhu více vysunout žací

strunu bez zastavení motoru. Když se struna roztřepí nebo rozedře, lze během práce se sekačkou vysunout další část struny lehkým poklepáním hlavy sekačky o zem (Obr. Q).

**POZNÁMKA:** Vysouvání struny se stává se zkracováním žací struny obtížnějším.

**VAROVÁNÍ:** Nevyjímejte ani neupravujte sestavu vyřínacího kotouče. Nadměrná délka struny způsobí přehřátí motoru, což může vést k vážnému úrazu.

## VÝMĚNA STRUNY

**POZNÁMKA:** Vždy používejte doporučenou nylonovou žací strunu o průměru nepřesahujícím 2,4 mm. Použitím jiné než specifikované struny může dojít k přehřátí nebo poškození strunové sekačky.

**VAROVÁNÍ:** Nikdy nepoužívejte kovem vyztuženou strunu, dráty, šňůry atd. Mohou se odlomit a stát se nebezpečnými projektily.

1. Vyjměte akumulátor.
2. Odstraňte zbývající strunu, pokud je to nutné.
3. Ustříhnete strunu v délce 4 m a vložte ji do otvoru uvnitř oka (obr. R). Zatlačte a vytáhněte strunu z druhé strany, dokud se na obou stranách cívký neobjeví stejná délka struny.
4. Při otáčení sestavy spodního krytu ve směru šipky stiskněte, aby se navinula struna na cívku, dokud na každé straně nezůstane přibližně 14 cm struny (Obr. S).
5. Zatlačte sestavu spodního krytu dolů a zároveň tahejte za struny, abyste je ručně vysunuli a zkontrolovali správnou montáž strunové hlavy.

Když se žací struna utrhne ve výstupu struny nebo není žací struna uvolněna, když Źuknete na strunovou hlavu, postupujte podle následujících kroků:

1. Stiskněte uvolňovací západky na horním krytu a vytáhněte sestavu spodního krytu tahem směrem ven (Obr. T a U).
2. Vytáhněte strunu z cívký.
3. Jednou rukou přidrže sestavu spodního krytu, druhou rukou uchopte sestavu spodního krytu a zároveň západky na horním krytu s otvory v sestavě spodního krytu (obr. V); dlaní zatlačte na sestavu spodního krytu, dokud západky nezapadnou do horního krytu.
4. Pro natažení nové struny postupujte podle pokynů v části „VÝMĚNA STRUNY“.

## VÝMĚNA 3-ZUBÉ ČEPELE

**POZNÁMKA:** Nasadte si rukavice před jakoukoli činností

s třízubou čepelí jako ochranu před zraněním.

1. Demontujte sestavu spodního krytu podle obr. T a U
2. Vložte stabilizátor a pomoci nástrčného rázového klíče uvolněte matici podle obr. X1 a X2.
3. Demontujte všechny části kromě vnitřní příruby a matice (obr. X3), namontujte čepel na hřídel motoru podle obr. X4.
4. Dotáhněte šrouby podle obr. X5.

**VAROVÁNÍ:** Při řezání mladých porostů nebo jiných dřevitých materiálů až do 2 cm v průměru použijte levou stranu čepele, aby se zabránilo situacím se zpětným rázem. Nepokoušejte se řezat dřevní hmoty s větším průměrem, protože se čepel může zachytit nebo šknout křovinořez dopředu. Mohlo by dojít k poškození čepele nebo křovinořezu nebo ke ztrátě kontroly nad křovinořezem, což vede ke zranění osob.

**POZNÁMKA:** Pravidelně bruste čepel (pokud se nápadně otupila) a mějte ji vyváženou v případě potřeby (provádí pouze kvalifikovaný servisní technik).

## ÚDRŽBA

**VAROVÁNÍ:** Při opravách používejte pouze originální náhradní díly. Pravidelně stroj kontrolujte a udržujte. Z důvodu bezpečnosti by měl všechny opravy provádět kvalifikovaný servisní technik.

**VAROVÁNÍ:** Aby nedošlo k vážnému úrazu, akumulátor před servisem, čištěním, výměnou nástavců nebo odstraněním materiálu náradí vyjměte.

**UPOZORNĚNÍ:** Překážky ve větracích otvorch zabrání proudění vzduchu do krytu motoru, což povede k přehřátí nebo poškození motoru.

## ČIŠTĚNÍ NÁRADÍ

- Náradí čistěte vlhkým hadrem s neagresivním čistícím prostředkem. Dbejte, aby do náradí nepronikla žádná kapalina; žádný díl tohoto náradí nikdy neponořujte do kapaliny.
- Na plastový kryt nebo rukojeť nepoužívejte žádné silné čisticí prostředky. Mohou být poškozeny některými aromatickými oleji, jako např. borovicovým nebo citronovým, a rozpouštědly, jako např. petrolej. Vlhkost může rovněž způsobit riziko úrazu elektrickým proudem. Veškerou vlhkost setřete suchým měkkým hadrem.
- K čištění větracích otvorů od nečistot na zadní části krytu použijte malý kartáč nebo proud vzduchu z malého vysavače.

- Udržujte větrací otvory krytu motoru vždy v čistotě.

### MAZÁNÍ PŘEVODOVKY

Převody v převodové skříně se musí pravidelně mazat převodovým tukem. Zkontrolujte hladinu převodového maziva v převodovce přibližně každých 50 hodin provozu demontováním těsnicího šroubu na boku skříně.

Pokud není na bocích převodovky vidět žádný tuk, postupujte podle pokynů pro naplnění převodovým mazivem až do 3/4 kapacity. Převody zcela nezaplněte.

1. Přidržte strunovou sekačku na boku, aby těsnicí šroub směřoval nahoru (obr. Y).
2. Pomocí dodaného multifunkčního klíče povolte a odstraňte těsnicí šroub.
3. Použijte mazací stříkačku (není součástí dodávky) pro zavedení maziva do otvoru pro šroub; nepřekročte 3/4 kapacity.
4. Po naplnění utáhněte těsnicí šroub.

### SKLADOVÁNÍ NÁŘADÍ

- Pokud strunovou sekačku nepoužíváte, vyjměte z ní akumulátor.
- Nářadí před uskladněním řádně vyčistěte.
- Nářadí skladujte na suchém, dobře větraném, uzamčeném nebo vyvýšeném místě mimo dosah dětí. Nářadí neskladujte v blízkosti hnojiv, benzínu nebo jiných chemických látek.
- Použijte pouzdro na třízubou čepel během přepravy a skladování.

GZ

### Ochrana životního prostředí



Elektrické zařízení, nabíječku a baterie / nabíjecí baterie nevhazujte do domovního odpadu! Předějte tento výrobek autorizované recyklační společnosti ke tříděnému sběru. Elektrické nářadí musí být vráceno do zařízení k ekologické recyklaci.

## ODSTRAŇOVÁNÍ ZÁVAD

PROBLÉM	PŘÍČINA	ŘEŠENÍ
Strunová sekačka se nespustí.	<ul style="list-style-type: none"> <li>■ K sekačce není připojen akumulátor.</li> <li>■ Žádný elektrický kontakt mezi sekačkou a akumulátorem.</li> <li>■ Akumulátor je vybitý.</li> <li>■ Blokovací tlačítko a spoušť nejsou stisknuté současně.</li> </ul>	<ul style="list-style-type: none"> <li>■ Nasadte akumulátor na sekačku.</li> <li>■ Vyměte akumulátor, zkontrolujte póly a znovu jej nainstalujte.</li> <li>■ Nabijte akumulátor.</li> <li>■ Stiskněte blokovací tlačítko, podržte jej a stiskněte spínač pro zapnutí strunové sekačky.</li> </ul>
Při sekání se strunová sekačka zastaví.	<ul style="list-style-type: none"> <li>■ Na sekačce není namontovaný chránič, což má za následek příliš dlouhou žací strunu a přetížení motoru.</li> <li>■ Je použita těžká žací struna.</li> <li>■ Hřídel motoru nebo strunová hlava jsou zablokované trávou.</li> <li>■ Motor je přetížen.</li> <li>■ Akumulátor nebo strunová sekačka je příliš horká.</li> <li>■ Akumulátor je odpojený od nářadí.</li> <li>■ Akumulátor je vybitý.</li> </ul>	<ul style="list-style-type: none"> <li>■ Vyměte ze sekačky akumulátor a namontujte kryt.</li> <li>■ Používejte doporučenou nylonovou žací strunu s max. průměrem 2,4 mm.</li> <li>■ Zastavte sekačku, vyměte akumulátor a odstraňte trávu z hřídele motoru a strunové hlavy.</li> <li>■ Vytáhněte strunovou hlavu z trávy. Motor začne pracovat, jakmile odstraníte zatížení. Při sekání pohybujte strunovou hlavou v sekané trávě tam a zpět, délka pohybu by neměla přesáhnout 20 cm v jednom tahu.</li> <li>■ Nechte akumulátor nebo sekačku zchladnout, dokud teplota neklesne pod 67°C.</li> <li>■ Znovu nainstalujte akumulátor.</li> <li>■ Nabijte akumulátor.</li> </ul>
Ze strunové hlavy se nevysouvá struna.	<ul style="list-style-type: none"> <li>■ Hřídel motoru nebo strunová hlava jsou zablokované trávou.</li> <li>■ Na cívce není struna v dostatečné délce.</li> <li>■ Strunová hlava je znečištěná.</li> <li>■ Struna se na cívce zamotala.</li> <li>■ Struna je příliš krátká.</li> </ul>	<ul style="list-style-type: none"> <li>■ Zastavte sekačku, vyměte akumulátor a očistěte hřídel motoru a strunovou hlavu.</li> <li>■ Vyměte akumulátor a vyměňte strunu; dodržujte pokyny uvedené v části „VÝMĚNA STRUNY“ v tomto návodu.</li> <li>■ Vyměte akumulátor a očistěte strunovou hlavu.</li> <li>■ Vyměte akumulátor, vymotejte strunu ze strunové hlavy a znovu ji naviňte; dodržujte pokyny uvedené v části „NATÁHNUTÍ NOVÉ STRUNY“ v tomto návodu.</li> <li>■ Vyměte akumulátor, zatáhněte ručně za struny a současně stiskněte a uvolněte strunovou hlavu.</li> </ul>

PROBLÉM	PŘÍČINA	ŘEŠENÍ
Kolem strunové hlavy a krytu motoru se namotala tráva.	<ul style="list-style-type: none"><li>▪ Sekání vysoké trávy na úrovni terénu.</li></ul>	<ul style="list-style-type: none"><li>▪ Vysokou trávu sekejte shora dolů, pokaždé ne více než 20 cm, aby nedocházelo k zamotání.</li></ul>
Praskliny na strunové hlavě nebo sestava spodního krytu uvolněná z horního krytu.	<ul style="list-style-type: none"><li>▪ Strunová hlava je opotřebovaná.</li></ul>	<ul style="list-style-type: none"><li>▪ Nechte ihned vyměnit strunovou hlavu kvalifikovaným servisním technikem.</li></ul>

## ZÁRUKA

### ZÁRUKA SPOLEČNOSTI EGO

Úplné záruční podmínky společnosti EGO naleznete na webové stránce [egopowerplus.eu](http://egopowerplus.eu).

CZ

## PREČÍTAJTE SI VŠETKY POKYNY!



PREČÍTAJTE SI NÁVOD NA OBSLUHU.



Bezpečnostné upozornenie



Používajte ochranu zraku.



Nepoužívajte kovové čepele



Vzdialenosť medzi strojom a okolostojacimi osobami musí byť najmenej 15 m.



Priemer struny - Priemer nylonovej rezacej struny



Tento výrobok je v súlade s platnými smernicami ES.



Odpadové elektrické výrobky sa nesmú likvidovať spolu s domovým odpadom. Odovzdajte do autorizovaného recyklačného strediska.

V Napätie

.../min Za minútu

kg Kilogram

## BEZPEČNOSTNÉ SYMBOLY

**VAROVANIE:** Prevádzka akéhokoľvek elektrického náradia môže viesť k vymršteniu cudzích predmetov do vašich očí, čo môže spôsobiť vážne poškodenie zraku. Predtým, než začnete používať elektrické náradie, si vždy nasadte ochranné okuliare alebo ochranné okuliare s postrannými krytmi a prípadne celotvárový štít. Odporúčame použiť bezpečnostnú masku so širokým priezorom na okuliare alebo štandardné bezpečnostné okuliare s postrannými krytmi.



Prečítajte si a pochopte návod na obsluhu.



Používajte ochranu sluchu.



Pozor na vymrštené predmety



Pred údržbou odpojte akumulátor



Rezná šírka - Max. rezná šírka strunovej kosačky



Tento výrobok je v súlade s príslušnou britskou legislatívou.



Garantovaná hladina akustického výkonu. Emisie hluku do prostredia sú podľa smernice Európskeho spoločenstva.

$n_0$  Otáčky naprázdno - Rýchlosť otáčania, bez záťaže

≡≡≡ Jednosmerný prúd

IPX4 Ochrana pred striekajúcou vodou

## TECHNICKÉ ÚDAJE

	Hlavica kosačky	3-zubová čepeľ	
Napätie	56 V ---	56 V ---	
Odporúčaná prevádzková teplota:	0°C-40°C		
Odporúčaná skladovacia teplota:	-20°C-70°C		
Optimálna teplota nabíjania	5°C-40°C		
Rýchlosť naprázdno	5000/6000 min <sup>-1</sup>	5000/6000 min <sup>-1</sup>	
Typ rezacej struny	2,4 mm	/	
Strižná lišta	/	ABB1203	
Rezná šírka	38 cm	30cm	
Hmotnosť (bez akumulátora)	4,21 kg	4,45 kg	
Nameraná hladina akustického výkonu L <sub>WA</sub>	94,6 dB(A) K=1,8 dB(A)	96,5 dB(A) K=1,88 dB(A)	
Hladina akustického tlaku na uši obsluhy L <sub>PA</sub>	81,7 dB(A) K=2,5 dB(A)	76,5 dB(A) K=3 dB(A)	
Garantovaná hladina akustického výkonu L <sub>WA</sub> (podľa 2000/14/ES)	96 dB(A)	98 dB(A)	
Vibrácie a <sub>h</sub>	Predná pomocná rukoväť	3,2 m/s <sup>2</sup> K=1,5 m/s <sup>2</sup>	2,8 m/s <sup>2</sup> K=1,5 m/s <sup>2</sup>
	Zadná rukoväť	2,3 m/s <sup>2</sup> K=1,5 m/s <sup>2</sup>	3,1 m/s <sup>2</sup> K=1,5 m/s <sup>2</sup>

- Deklarovaná celková hodnota vibrácií bola meraná v súlade so štandardnou skúšobnou metódou a môže sa použiť na vzájomné porovnanie jednotlivých náradí;
- Uvádzaná celková hodnota vibrácie sa môže použiť aj na predbežný odhad expozície.

**POZNÁMKA:** Emisia vibrácií pri skutočnom používaní náradia sa môže odlišovať od deklarovanej hodnoty, pri akej sa nástroj používa; Za účelom ochrany obsluhy má používateľ v skutočných podmienkach použitia nosiť rukavice a ochranu sluchu.

## POPIS

### SPOZNAJTE VAŠU STRUNOVÚ KOSAČKU (obr. A1)

1. Prahový krúžok
2. Vypínač

3. Zadná rukoväť
4. Prívod vzduchu
5. Zaisťovacie tlačidlo
6. Prepínač vysokej/nízkej rýchlosti
7. Montážny záves ramenného popruhu
8. Nastaviteľná predná pomocná rukoväť
9. Ramenný popruh
10. Multifunkčný kľúč
11. Imbusový kľúč
12. Hlava kosačky (strunová hlava)
13. Rezacia struna
14. Uvoľňovacia zarážka
15. Strunová rezacia čepeľ
16. Ochrana
17. Vyhadzovací mechanizmus
18. Elektrické kontakty
19. Západka
20. Ochranná gumová podložka
21. Tlačidlo na uvoľnenie batérie
22. Závora bezpečnostnej bariéry (len pre hlavicu rezacieho noža)
23. Uzamykacia tyč závory bezpečnostnej bariéry (len pre hlavicu rezacieho noža)
24. Obruba (len pre hlavicu rezacieho noža)
25. Matica (len pre hlavicu rezacieho noža)
26. Skrutky (len pre hlavicu rezacieho noža)

SK

## OBSAH BALENIA

NÁZOV DIELU	MNOŽSTVO
Strunová kosačka	1
Ochrana	1
Montáž prednej pomocnej rukoväti	1
Imbusový kľúč	1
Multifunkčný kľúč	1
Ramenný popruh	1
Návod na obsluhu	1
Uzamykacia tyč	1
Obruba	1
Matica	1
Skrutka	2

## MONTÁŽ

**VAROVANIE:** Ak akýkoľvek diel chýba, alebo je poškodený, nepoužívajte tento výrobok, kým nie sú vymenené diely. Ak používate tento výrobok s poškodenými alebo chýbajúcimi časťami, môže dôjsť k vážnemu zraneniu.

**VAROVANIE:** Nepokúšajte sa upravovať tento výrobok alebo vytvoriť príslušenstvo, ktoré nie je odporúčané pre použitie s touto strunovou kosačkou. Každá takáto zmena alebo modifikácia sa považuje za zneužitie a môže spôsobiť nebezpečný stav, ktorý vedie k možnému vážnemu zraneniu.

**VAROVANIE:** Pri montáži dielov vždy vyberte akumulátor zo stroja, aby ste zabránili náhodnému spusteniu, ktoré by mohlo spôsobiť vážne zranenia.

**VAROVANIE:** Ak je nástroj vybavený hlavou krovínorezu, musí sa namontovať bezpečnostná bariéra.

## MONTÁŽ CHRÁNIČA

**VAROVANIE:** Pri montáži alebo výmene chrániča vždy používajte rukavice. Dajte si pozor na ostré hrany na chrániči a chráňte si ruky pred porezaním.

**VAROVANIE:** Nikdy nepoužívajte náradie bez nasadeného ochranného krytu. Chránič musí byť vždy na stroji pre ochranu používateľa! Keď je chránič pripevnený, nikdy sa nepokúšajte ho odobrať alebo upraviť. Ak je nutná výmena, nechajte ju vykonať oprávnenému servisnému technikovi!

1. Uvoľnite a odstráňte dve skrutky z chrániča (obr. B).
2. Zarovnajte montážne otvory chrániča s montážnymi otvormi a následne pripevnite chránič dvoma skrutkami na základňu hriadeľa spolu s dvomi pružnými podložkami (obr. C).

**POZNÁMKA:** Zabezpečte, aby bol chránič pripevnený podľa obr. B a C. Akékoľvek iné upevnenie spôsobí veľké nebezpečenstvo!

## MONTÁŽ A NASTAVENIE PREDNEJ POMOCNEJ RUKOVÄTI

1. Uvoľnite uzamykaciu tyč v prednej pomocnej rúkoväti a odstráňte ju z tejto rúkoväti spolu s krídlovou maticou (obr. D).

**POZNÁMKA:** Ak je nástroj vybavený hlavou rezacieho noža, namontujte závoru bezpečnostnej bariéry na rúkoväť slučky pomocou dvoch skrutiek.

**POZNÁMKA:** Existujú dva druhy uzamykacej tyče, kratšia sa používa na hlavu kosačky. Dlhšia sa používa na hlavu rezacieho noža. Pri používaní stroja buď opatrní pri výbere správnej uzamykacej tyče.

2. Zatlačte prednú rúkoväť na hriadeľ na prednej strane prahového krúžku. Nikdy ju neumiestňujte medzi prahový krúžok a oblasť zadnej rúkoväti (obr. E).
3. Vložte upínací blok do otvoru rúkoväti (obr. F).
4. Namontujte uzamykaciu tyč a priťahnite krídlovú maticu. Uistite sa, že predná pomocná rúkoväť je otočená dohora a smeruje k homej časti zadnej rúkoväti (obr. G).
5. Nastavte prednú pomocnú rúkoväť medzi prahový krúžok a štítok tak, aby vaša predná ruka bola pri narábaní so strojom vyrovnaná (obr. H).
6. Zamknite páčku uzamykacej tyče. (Obr. I).

**VAROVANIE:** Toto náradie nie je možné používať bez spoľahlivo upevnenej prednej pomocnej rúkoväti.

## PRIPEVNIENIE RAMENNÉHO POPRUHU

Pre bezpečnú a správnu prevádzku umiestnite popruh na jedno z ramien a cez chrbát.

1. Stlačte háčik popruhu, aby ste ho otvorili, a pripojte ho na montážny záves ramenného popruhu (obr. J).
2. Nastavte dĺžku a umiestnenie ramenného popruhu do pohodlnej prevádzkovej polohy – držte kosačku oboma rukami: jednou rukou na zadnej rúkoväti a druhou rukou na prednej rúkoväti.

**VAROVANIE:** Ak dôjde k núdzovej situácii, ihneď si popruh odopnite z vášho ramena bez ohľadu na to, akým spôsobom je pripnutý.

Nepoužívajte súčasne jednoduchý a zdvojený ramenný popruh.

Pri nosení popruhu nesmie žiadny iný predmet brániť uvoľneniu a odstráneniu popruhu.

## OBSLUHA

**VAROVANIE:** Vždy používajte bezpečnostné okuliare s bočným krytom spolu s ochranou sluchu. Ak tak neurobíte, môže dôjsť k vyvráteniu predmetov do očí a k ďalším možným vážnym zraneniam.

Tento výrobok môžete použiť na tieto uvedené účely:

Orezávanie: slúži na odstránenie trávy a buriny pri mŕoch, plotoch, stromoch a okrajoch.

Kosenie: slúži na kosenie trávy, ktorú je ťažké pokosiť bežnou kosačkou.

**POZNÁMKA:** Náradie sa musí používať v súlade s



účelom použitia. Každé iné použitie, napríklad orezávanie okrajov, sa považuje za prípad zneužitia.

### PRIPOJENIE/ODPOJENIE AKUMULÁTORA

Používajte iba s akumulátormi a nabíjačkami, ktoré sú uvedené na obr. A2.

**Pred prvým použitím akumulátor nabite doplna.**

#### Pripojenie

Zarovnajcie rebrovanie akumulátora s montážnymi drážkami a zatlačte akumulátor nadol, kým nezačujete „cvaknutie“ (obr. K).

#### Odpojenie

Stlačte tlačidlo na uvoľnenie batérie a vytiahnite akumulátor von tak, ako je znázornené na obr. L.

L-1	Tlačidlo na uvoľnenie batérie
-----	-------------------------------

### DRŽANIE STRUNOVEJ KOSAČKY

Na bezpečné a lepšie fungovanie si preložte ramenný popruh cez rameno, ako znázorňuje obr. N. Nastavte ramenný popruh do pohodlnej prevádzkovej polohy. Držte strunovú kosačku s oboma rukami: Jednu ruku na zadnej rukoväti a druhú na prednej pomocnej rukoväti.

**POZNÁMKA:** Hlava kosačky je rovnobežná so zemou v správnej vzdialenosti na kosenie bez toho, aby sa osoba obsluhujúca kosačku nakláňala (obr. N).

Existujú dva spôsoby, ako uvoľniť popruh: Zložte ho zo svojho ramena priamo (obr. O) alebo stlačte háčik popruhu a vyberte ho z montážneho závesu ramenného popruhu pripaveného na hriadeľ (obr. P).

**VAROVANIE:** Ramenný popruh má takisto rýchlovyvípací mechanizmus pre nebezpečné situácie. Ak dôjde k núdzovej situácii, ihneď si popruh odopnite zo svojho ramena bez ohľadu na to, akým spôsobom je pripnutý.

### SPUSTENIE/ZASTAVENIE STRUNOVEJ KOSAČKY (obr. M)

#### Zapnutie

Zatlačte poistnú páčku a potom stlačte vypínač. Rôzny prítlak na spúšťač znamená premenlivú rýchlosť otáčania rezacej struny. Väčší prítlak, vyššia rýchlosť.

#### Zastavenie

Uvoľnite vypínač.

**POZNÁMKA:** Motor sa spustí len vtedy, keď sú zaistovacie tlačidlo a vypínač stlačené naraz.

### Funkcia nastavenia rýchlosti (obr. M)

Strunová kosačka má dve rýchlosti. Poloha „1“ je určená pre nízke rýchlosti, pričom poloha „2“ pre vysoké rýchlosti.

M-1	Prepínač vysokej/nízkej rýchlosti
M-2	Zaistovacie tlačidlo
M-3	Vypínač

### POUŽÍVANIE STRUNOVEJ KOSAČKY

Pred každým použitím vyčistite oblasť, ktorá má byť kosená. Odstráňte všetky predmety, ako sú kamene, rozbité sklo, kince, drôty alebo šnúry, ktoré môžu byť vymrštené alebo môžu uviaznuť v stroji. Zabráňte prístupu deťom, prítomným osobám a domácim zvieratám. Všetky deti, prizerajúce sa osoby a zvieratá sa musia zdržiavať vo vzdialenosti najmenej 15 metrov; stále ešte môže existovať riziko vymrštenia predmetov na prizerajúce sa osoby. Okoloostojace osoby by mali mať ochranu očí. Ak sa približujú, okamžite zastavte motor a reznú príslušenstvo.

### Pred každým použitím skontrolujte, či nie sú poškodené/opotrebované diely

Skontrolujte strunovú hlavu, chránič a prednú pomocnú rukoväť a diely, ktoré sú prasknuté, zdeformované, ohnuté, alebo inak poškodené.

Strunová čepeľ na okraji chrániča sa v priebehu času otupí. Odporúčame, aby ste ju pravidelne prebrúšili pilníkom, alebo ju nahradili za novú čepeľ.

**VAROVANIE:** Pri montáži alebo ostrení chrániča, brúsení alebo pri výmene čepele na odrezanie struny vždy používajte rukavice. Dajte si pozor na ostré hrany na chrániči a chráňte si ruky pred porezaním.

### Skontrolujte, či nie je zablokovaná strunová hlava

- Aby ste zabránili upchatiu, udržiavajte čistú strunovú hlavu. Pred a po každom použití odstráňte pokosenú trávu, lístie, špinu a akékoľvek iné nahromadené nečistoty.
- Ak dôjde k zablokovaniu, zastavte strunovú kosačku a vyberte akumulátor, potom odstráňte všetku trávu, ktorá sa mohla omotať okolo hriadeľa motora alebo hlavy strunovej kosačky.

### Po každom použití vyčistite kosačku.

### NASTAVENIE DĹŽKY REZNEJ STRUNY

Strunová hlava umožňuje obsluhu predĺžiť rezanciu strunu bez zastavenia motora. Keď sa struna rozstrapká alebo opotrebuje, je možné vysunúť ďalšiu strunu ľahkým poklepaním hlavy kosačky o zem počas jej používania (obr. Q).

SK

**POZNÁMKA:** Vysúvanie struny sa stáva ťažšie, keď sa struna skracuje.

**VAROVANIE:** Neodstraňujte alebo nemeňte zostavu strunovej rezacej čepele. Nadmerná dĺžka struny môže spôsobiť prehriatie motora a môže dôjsť k vážnemu zraneniu.

## VÝMENA STRUNY

**POZNÁMKA:** Vždy používajte odporúčanú štandardnú nylonovú strunu s priemerom najviac 2,4 mm. Použitie inej struny, než je uvedené, môže spôsobiť prehriatie alebo poškodenie strunovej kosačky.

**VAROVANIE:** Nikdy nepoužívajte kovom vystužené struny, drôty, šnúry atď. Môžu sa odtrhnúť a stať sa nebezpečnými projektilmi.

1. Vyberte akumulátor.
2. Odstráňte zvyšnú strunu, ak je to nutné.
3. Odrežte 4 m rezacej struny, vložte ju do montážneho otvoru vnútri očka (obr. R). Pretlačte a vytiahnite strunu z druhej strany, pokiaľ nebude rovnaká dĺžka struny na oboch stranách cievky.
4. Stlačte počas otáčania spodnej časti krytu v smere šípky, aby ste strunu navinuli na cievku, až kým na každej strane nie je vidieť približne 14 cm struny (obr. S).
5. Zatlačte zostavu spodného krytu smerom nadol pri ťahaní lanka, ak chcete manuálne vytiahnuť lanko a skontrolujte správnu montáž hlavy kosačky.

Keď sa rezacia struna odtrhne na výstupe struny alebo sa rezacia struna nevysunie pri poklepaní na strunovú hlavu, postupujte podľa nasledujúcich krokov:

1. Stlačte uvoľňovacie jazýčky na hornom kryte a odmontujte spodnú časť krytu tak, že ju rovno vytiahnete von (obr. T a U).
2. Odstráňte rezaciu strunu z cievky.
3. Jednou rukou držte spodnú časť krytu, druhou rukou uchopíte spodnú časť krytu a zarovnajete jazýčky na hornom kryte s otvormi v spodnej časti krytu (obr. V); Dlaňou tlačte na dolnú časť krytu, kým sa jazýčky nezablokujú horným krytom.
4. Za účelom natiahnutia novej rezacej struny postupujte podľa pokynov v časti „VÝMENA STRUNY“.

## VÝMENA 3-ZUBOVEJ ČEPELE

**POZNÁMKA:** Na ochranu pred zranením si pred akoukoľvek manipuláciou s 3-zubovou čepeľou musíte nasadiť rukavice.

1. Demontujte zostavu spodného krytu podľa obr. T a U
2. Vložte stabilizátor a potom pomocou nástrčného kľúča uvoľnite maticu podľa obr. X1 a X2.
3. Odstráňte všetky časti okrem vnútornej príruby a matice (obr. X3), čepeľ namontujte na hriadeľ motora podľa obr. X4.
4. Utiahnite čepeľ podľa obr. X5.

**VAROVANIE:** Pri rezaní mladých porastov alebo iných drevených materiálov až do 2 cm v priemere použite ľavú stranu čepele, aby sa zabránilo situáciám so spätným rázom. Nepokúšajte sa rezať drevné hmoty s väčším priemerom, pretože sa čepeľ môže zachytiť alebo šklbnúť krovinnorez dopredu. Mohlo by dôjsť k poškodeniu čepele alebo krovinnorezu alebo k strate kontroly nad krovinnorezom, čo vedie k poraneniu osôb.

**POZNÁMKA:** Pravidelne brúste čepeľ (ak sa nápadne utopila) a majte ju vyváženú v prípade potreby (vykonáva iba kvalifikovaný servisný technik).

## ÚDRŽBA

**VAROVANIE:** Pri servise používajte iba identické náhradné diely. Pravidelne kontrolujte a udržiavajte stroj. Pre zaistenie bezpečnosti a spoľahlivosti je nevyhnutné, aby všetky opravy vykonával len kvalifikovaný servisný technik.

**VAROVANIE:** Aby nedošlo k vážnemu zraneniu, tak pred vykonávaním údržby, čistením, výmenou príslušenstva alebo odstraňovaním materiálu z prístroja vyberte akumulátor z náradia

**UPOZORNENIE:** Prekážky vo vetracích otvoroch bránia prívodu vzduchu do krytu motora, čoho následkom je prehriatie alebo poškodenie motora.

## ČISTENIE PRÍSTROJA

- Výrobok čistite vlhkou handričkou a jemným saponátom. Zabráňte preniknutiu akejkoľvek kvapaliny do vnútorných častí náradia. Nikdy neponárajte žiadnu časť náradia do kvapaliny.
- Nepoužívajte žiadne silné čistiace prostriedky na plastovom kryte alebo rukoväti. Môžu byť poškodené určitými aromatickými olejmi, ako je borovica a citrón, a rozpúšťadlami, ako je petrolej. Vlhkosť môže tiež spôsobiť nebezpečenstvo úrazu elektrickým prúdom. Akúkoľvek vlhkosť potierajte mäkkou a suchou handrou.
- Použite malú kefu alebo vzduch z malého vysávača s kefkou na vyčistenie vetracích otvorov na zadnom kryte.

- Udržujte vetracie otvory v kryte motora vždy bez nečistôt.

### MAZANIE PREVODOVKY

Prevody v prevodovej skrini sa musia pravidelne mazať prevodovým mazivom. Skontrolujte hladinu prevodového maziva v prevodovke približne každých 50 prevádzkových hodín odstránením tesniacej skrutky na boku skrine.

Ak na stranách prevodov nie je vidno žiadne mazivo, postupujte podľa pokynov pre naplnenie prevodovým mazivom až do 3/4 kapacity. Nezaplňte celkom prevody.

1. Pridržte strunovú kosačku na boku, aby tesniaca skrutka smerovala nahor (obr. W).
2. Pomocou dodaného multifunkčného kľúča povolte a odstráňte tesniacu skrutku.
3. Použite mazacu striekačku (nie je súčasťou dodávky) na zavedenie maziva do otvoru pre skrutku; neprekročte 3/4 kapacity.
4. Po naplnení dotiahnite tesniacu skrutku.

### USKLADNENIE PRÍSTROJA

- Keď strunovú kosačku nepoužívate, vyberte z nej akumulátor.
- Pred uložením prístroj dôkladne vyčistite.
- Prístroj skladujte na suchom a dobre vetranom uzamknutom alebo vyvýšenom mieste mimo dosahu detí. Neskladujte prístroj v blízkosti hnojív, benzínu alebo iných chemikálií.
- Použite puzdro na trojzubú čepeľ počas prepravy a skladovania.

SK

### Ochrana životného prostredia



Nevyhadzujte elektrické zariadenia, nabíjačku batérií a použité batérie/akumulátory do domového odpadu! Tento výrobok odneste na autorizované recyklačné miesto a dajte ho k dispozícii na separovaný zber. Elektrické náradie sa musí vrátiť do recyklačného zariadenia, ktoré je zlučiteľné so životným prostredím.

## ODSTRAŇOVANIE PORÚCH

PROBLÉM	PRÍČINA	RIEŠENIE
Strunová kosačka sa nespustí.	<ul style="list-style-type: none"> <li>■ Akumulátor nie je pripojený do strunovej kosačky.</li> <li>■ Žiadny elektrický kontakt medzi kosačkou a batériou.</li> <li>■ Akumulátor je vybitý.</li> <li>■ Zaisťovacie tlačidlo a vypínač nie sú stlačené súčasne.</li> </ul>	<ul style="list-style-type: none"> <li>■ Pripojte akumulátor do kosačky.</li> <li>■ Vyberte akumulátor, skontrolujte kontakty a akumulátor nainštalujte naspäť.</li> <li>■ Nabite akumulátor.</li> <li>■ Zatláčajte zaisťovacie tlačidlo a podržte ho, potom stlačte vypínač, aby ste strunovú kosačku zapli.</li> </ul>
Strunová kosačka sa pri kosení zastaví.	<ul style="list-style-type: none"> <li>■ Chránič nie je namontovaný na kosačke, čo spôsobuje príliš dlhý rez a preťaženie motora.</li> <li>■ Je použitá príliš ťažká struna.</li> <li>■ Tráva sa namotala na hriadeľ motora alebo hlavu kosačky.</li> <li>■ Motor je preťažený.</li> <li>■ Akumulátor alebo strunová kosačka sú príliš horúce.</li> <li>■ Akumulátor je odpojený od nástroja.</li> <li>■ Akumulátor je vybitý.</li> </ul>	<ul style="list-style-type: none"> <li>■ Vyberte akumulátor a namontujte chránič na kosačku.</li> <li>■ Používajte odporúčanú nylonovú rezaciu strunu s priemerom najviac 2,4 mm.</li> <li>■ Zastavte kosačku, vyberte batériu a odstráňte trávu z hriadeľa motora a hlavy kosačky.</li> <li>■ Vytiahnite hlavu kosačky z trávy. Motor sa rozbehne, keď sa preťaženie odstráni. Pri kosení pohybujte hlavou kosačky dovnútra a von z trávy tak, aby sa pokosila a odstránila najviac 20 cm dĺžka v jednom reze.</li> <li>■ Nechajte akumulátor alebo strunovú kosačku vychladnúť, kým teplota neklesne pod 67°C.</li> <li>■ Znovu vložte akumulátor.</li> <li>■ Nabite akumulátor.</li> </ul>
Strunová hlava nevysúva strunu.	<ul style="list-style-type: none"> <li>■ Tráva sa namotala na hriadeľ motora alebo hlavu kosačky.</li> <li>■ Na cievke nie je dostatok struny.</li> <li>■ Strunová hlava je znečistená.</li> <li>■ Struna je zamotaná na cievke.</li> <li>■ Struna je príliš krátka.</li> </ul>	<ul style="list-style-type: none"> <li>■ Zastavte kosačku, vyberte batériu a vyčistíte hriadeľ motora a hlavu kosačky.</li> <li>■ Vyberte batériu a vymeňte rezaciu strunu; postupujte podľa časti „VÝMENA STRUNY“ v tomto návode na obsluhu.</li> <li>■ Vyberte batériu a vyčistíte hlavu kosačky.</li> <li>■ Vyberte batériu, vytiahnite strunu z hlavy kosačky a prevíňte ju; postupujte podľa časti „VÝMENA REZACEJ STRUNY“ v tomto návode na obsluhu.</li> <li>■ Vyberte batériu a ručne vytiahnite struny, pričom zároveň striedavo stláčate a uvoľňujete hlavu kosačky.</li> </ul>

PROBLÉM	PRÍČINA	RIEŠENIE
Tráva sa namotala na hlavu kosačky a kryt motora.	<ul style="list-style-type: none"><li>■ Kosenie vysokej trávy na úrovni terénu.</li></ul>	<ul style="list-style-type: none"><li>■ Koste vysokú trávu zhora nadol, pri každom prechode odstraňujte najviac 20 cm, aby nedošlo k namotaniu.</li></ul>
Trhliny na hlave strunovej kosačky alebo spodná časť krytu sa uvoľňuje z horného krytu.	<ul style="list-style-type: none"><li>■ Strunová hlava je opotrebovaná.</li></ul>	<ul style="list-style-type: none"><li>■ Nechajte ihneď vymeniť hlavu kosačky kvalifikovaným servisným technikom.</li></ul>

## ZÁRUKA

### ZÁRUČNÁ POLITIKA EGO

Navštívte webové stránky [egopowerplus.eu](http://egopowerplus.eu) pre úplné podmienky záručnej politiky spoločnosti EGO.

SK

## OLVASSA EL AZ ÖSSZES UTASÍTÁST!



OLVASSA EL A HASZNÁLATI ÚTMUTATÓT



Güvenlik Uyarısı



Koruyucu Gözlük Takın



Semmilyen fém vágókés nem használható



Makine ile çevredeki insanlar arasında en az 15 m mesafe olmalıdır.



Vágószál átmérője – A nylon vágószál átmérője

HU



A termék megfelel az érvényes EK irányelveknek.



Az elhasználódott elektromos termékek nem helyezhetők a háztartási hulladékok közé. Vigye hivatalos újrahasznosító telephelyre.

V Feszültség

.../min Percenként

kg Kilogramm

## BIZTONSÁGI SZIMBÓLUMOK

**⚠ FIGYELMEZTETÉS:** Bármely elektromos kéziszerszám működtetése azzal járhat, hogy idegen tárgyak szembe kerülnek, ami súlyos szemsérüléseket okozhat. Az elektromos kéziszerszám működtetése előtt mindig vegyen fel oldalsó védőlemezzel ellátott védőszemüveget és a teljes védőárlapot, ha szükséges. Javasoljuk, hogy viseljen Wide Vision Safety Mask-ot (védőárlap) a védőszemüveg fölött vagy standard védőszemüveget oldalsó védőlemezzel.



Kullanım Kılavuzunu Okuyun ve Anlayın



Kulak Koruması Takın



Fırlayan nesnelere dikkat edin



Bakım yapmadan önce aküyü çıkarın



Vágási szélesség – A fűkasza max. vágásszélessége



Ez a termék megfelel az alkalmazandó brit jogszabályoknak.



Garantált hangteljesítményszint. Környezetre ható zajkibocsátás a Európai Közösség irányelve szerint.

$n_0$  Üresjárat fordulatszám - Forgási sebesség üresjáraton

≡ Egyenáram

IPX4 Fröccsenő víz elleni védelem

## JELLEMZŐK

	Fűkasza fej	3 fogú penge
Feszültség	56 V	56 V
Javasolt működési hőmérséklet:	0°C-40°C	
Javasolt tárolási hőmérséklet:	-20°C-70°C	
Optimális töltési hőmérséklet	5°C-40°C	
Üresjárat sebesség	5000/6000 min <sup>-1</sup>	5000/6000 min <sup>-1</sup>
Vágószál típusa	2,4 mm	/
Vágópenge	/	ABB1203
Vágásszélesség	38 cm	30cm
Súly (akkumulátor-egység nélkül)	4,21 kg	4,45 kg
Mért hangteljesítményszint L <sub>WA</sub>	94,6 dB(A) K=1,8 dB(A)	96,5 dB(A) K=1,88 dB(A)
Hangnyomásszint a kezelő fülénél L <sub>PA</sub>	81,7 dB(A) K=2,5 dB(A)	76,5 dB(A) K=3 dB(A)
Garantált hangteljesítményszint L <sub>WA</sub> (a 2000/14/EK szerint)	96 dB(A)	98 dB(A)
Vibráció a <sub>h</sub>	Elülső segédfo-gantyú	3,2 m/s <sup>2</sup> K=1,5 m/s <sup>2</sup>
	Hátsó fogantyú	2,3 m/s <sup>2</sup> K=1,5 m/s <sup>2</sup>

- A névleges rezgési összérték mérése standard bevizsgálási módszerrel történt, és használatával a szerszámok egymással összehasonlíthatók.
- A névleges rezgési érték a kockázat előzetes felméréséhez is felhasználható.

**MEGJEGYZÉS:** A rezgés kibocsátás az elektromos szerszám aktuális használata közben eltérhet attól a névleges értéktől, amellyel a szerszámot használják: a kezelő védelme érdekében a használatnak kesztyűt és hallásvédőt kell használnia működtetés közben.

## LEÍRÁS

### ISMERJE MEG A FŰKASZÁT (A1. ábra)

1. Határoló gyűrű
2. Kapcsoló

3. Hátsó fogantyú
4. Légbemenet
5. Kioldó gomb
6. Alacsony/nagy sebesség kapcsoló
7. Vállszij Akasztó
8. Beállítható elülső segédfo-gantyú
9. Vállszij
10. Multifunkciós csavarkulcs
11. Imbuszkulcs
12. Fűkaszálo fej (ütköző fej)
13. Vágószál
14. Kioldógomb
15. Vágópenge
16. Védőburkolat
17. Kioldó mechanizmus
18. Elektromos érintkezők
19. Zár
20. Gumi alátét
21. Akkumulátor kioldógomb
22. Biztonsági zárórúd (csak kefése vágófejhez)
23. A rúd rögzítése a biztonsági zárórúddhoz (csak kefése vágófejhez)
24. Külső perem (csak kefése vágófejhez)
25. Anya (csak kefése vágófejhez)
26. Csavarok (csak kefése vágófejhez)

HU

## CSOMAGOLÁSI LISTA

ALKATRÉSZ NEVE	MENNYISÉG
Fűkaszálo	1
Védőburkolat	1
Elülső segédfo-gantyú összeszerelése	1
Imbuszkulcs	1
Multifunkciós csavarkulcs	1
Vállszij	1
Használati útmutató	1
Rögzítő	1
Külső perem	1
Anya	1
Csavar	2

## ÖSSZESZERELÉS

**⚠ FIGYELMEZTETES:** Ha bármely alkatrész sérült vagy hiányzik, akkor addig ne használja a terméket, amíg az alkatrész(ek) cseréje meg nem történik. Sérült vagy hiányzó alkatrészekkel történő használat súlyos személyi sérülést okozhat.

**⚠ FIGYELMEZTETES:** Ne változtassa meg a terméket és ne készítsen hozzá olyan tartozékokat, amelyek nem javasoltak ehhez a készülékhez. Bármilyen módosítás vagy változtatás helytelen használatnak minősül, és veszélyes feltételeket teremthet, amely súlyos személyi sérüléssel végződhet.

**⚠ FIGYELMEZTETES:** Az akár súlyos személyi sérülést okozó véletlenszerű indítás elkerülése érdekében mindig vegye ki az akkumulátoregységet a szerszámból, amikor összeszereli az alkatrészeket.

**⚠ FIGYELMEZTETES:** Ha a szerszám keféss bozótvágó fejjel van felszerelve, a biztonsági zárórudat fel kell szerelni.

### A VÉDŐBURKOLAT FELSZERELÉSE

**⚠ FIGYELMEZTETES:** Mindig viseljen kesztyűt, amikor felszereli vagy kicseréli a védőburkolatot. Legyen óvatos a védőburkolat alatti pengével, és óvja a kezét vágástól.

**⚠ FIGYELMEZTETES:** Soha ne működtesse a szerszámot, ha a védőburkolat nincs megfelelően a helyén. A védőburkolatnak mindig a szerszámon kell lennie a felhasználó védelme érdekében! Ha a védőburkolat rögzítve van, akkor soha ne próbálja meg eltávolítani vagy beállítani, ha ki kell cserélni, akkor azt szakképzett szerviztechnikus végezze!

1. Lazítsa meg, és vegye le a két csavart a védőburkolatról (B ábra).
2. Illessze a rögzítőfuratokat a szerelési lyukakhoz, majd rögzítse a védőburkolatot a tengely talpához a két csavarral és a két rugós alátéttel (C ábra).

**MEGJEGYZÉS:** Ellenőrizze, hogy a védőburkolat a B és C ábrának megfelelően rögzítve van-e, a fordított rögzítés nagy veszélyt okozhat!

### AZ ELÜLSŐ SEGÉDFOGANTYÚ FELSZERELÉSE ÉS BEÁLLÍTÁSA

1. Lazítsa meg az elülső segédfogantyú rögzítőrudját, és vegye le a rögzítőrudat az elülső segédfogantyúról (D ábra).

**MEGJEGYZÉS:** Szerelje fel a biztonsági zárórudat a kétkézes fogantyúra a két csavarral, ha a szerszám keféss vágófejjel rendelkezik.

**MEGJEGYZÉS:** kétféle rögzítő van, a rövidebb való a fűkasza-fejhez. A hosszabb való a keféss vágófejhez. Legyen óvatos, és válassza a megfelelő rögzítőt a szerszám használatához.

D-1	Elülső segédfogantyú	D-4	Biztonsági zárórúd (csak keféss vágófejhez)
D-2	Rögzítőkapocs	D-5	Rögzítő
D-3	Szárnyas anya		

2. Tolja rá az elülső fogantyút a határoló gyűrű elején lévő tengelyre. Sohase tegye a határoló gyűrűt és a hátulsó fogantyú területe közé (E. ábra).
3. Helyezze a rögzítőkapcsot a fogantyú nyílásba (F. ábra).
4. Szerelje fel a rögzítőt, és húzza meg őket a szárnyas anyával. Ellenőrizze, hogy az elülső fogantyú felfelé és a hátsó fogantyú felé néz-e (G. ábra).
5. Állítsa az elülső segédfogantyút a határoló gyűrűt és a címke közé, hogy biztosítsa az első kar egyenességét a működtetés közben (H ábra).
6. Zárja le a rögzítőrud karját. (I ábra).

**⚠ FIGYELMEZTETES:** A szerszám nem használható a biztonságosan rögzített elülső segédfogantyú nélkül.

### A VÁLLSZÍJ FELSZERELÉSE

A biztonságos és jobb működés érdekében akassza a pántot a vállára, a hátára igazítva.

1. Nyomja le a vállsúly kampóját a kinyitáshoz, és csatlakoztassa a vállsúly akasztójához (J ábra).
2. Állítsa be a vállpánt hosszát és elhelyezését kényelmes helyzetbe – mindkét kezével tartsa a fűkaszt: egyik kezével a hátsó, a másik kezével pedig az elülső fogantyúnál.

**⚠ FIGYELMEZTETES:** Ha vészhelyzet adódik, akkor azonnal vegye le a válláról, függetlenül attól, hogyan van feltéve a szíj.

Ne használja a szimpla és a dupla vállsúlyt egyidejűleg.

A vállsúly viselése során semmilyen más hordható eszköz nem akadályozhatja a vállsúly kioldását és eltávolítását.

### MŰKÖDTETÉS

**⚠ FIGYELMEZTETES:** Mindig viseljen biztonsági szemvédőt, vagy oldalsó ellenzövel felszerelt szemüveget,



valamint fűvédőt. Ezek elmulasztásával tárgyak szóródhatnak a szemébe, vagy egyéb súlyos sérülést okozhatnak.

A terméket az alábbi célokra használhatja:

**Nyelés:** a falak, kerítések, fák és szegélyek tövében lévő fű vágására használja.

**Vágás:** olyan helyen használja a fű vágására, amit a normál fűnyíró nehezen érne el.

**MEGJEGYZÉS:** A szerszámot csak az előírt célokra használja. Bármilyen más használat, például szélek vágása, helytelen használatnak minősül.

## AZ AKKUMULÁTOREGYSÉG BERAKÁSA/ KIVÉTELE

Csak az A2. ábrán felsorolt akkumulátoregységeket és töltőket használja.

**Az első használat előtt teljesen töltsse fel.**

### Csatlakoztatás

Illesze az akkumulátor bordáit a szerelőnyílásokba és nyomja le az akkumulátoregységet, amíg kattantást nem hall (K ábra).

### Leválasztás

Oldja ki az akkumulátor kioldógombot, és húzza ki az akkumulátoregységet, ahogy az L ábrán látható.

L-1	Akkumulátor kioldógomb
-----	------------------------

## FŰKASZA TARTÁSA

A biztonságos és jobb üzemelés érdekében helyezze fel a vállszíjat a vállára az N ábrán látható módon. A vállszíjat kényelmes működési pozícióba állítsa. A fűkasztartsa megfelelően mindkét kezével. Az egyik keze legyen a hátsó fogantyún és a másik az első segédfohantyún.

**MEGJEGYZÉS:** A fűkasza fej legyen párhuzamos a talajjal megfelelő vágási távolságban, és a kezelő ne hajoljon fölé (N ábra).

A szíj kioldásának kétféle módja van. Közvetlenül a válláról vegye le (O ábra), vagy nyomja meg az kampót a szíjon, és vegye le a tengelyre rögzített vállsíz akasztót (P ábra).

**▲ FIGYELMEZTETES:** A vállsíz is egy gyorskioldó mechanizmus veszélyes helyzetben. Ha vészhelyzet adódik, akkor azonnal vegye le a válláról, függetlenül attól, hogyan van feltéve a szíj.

## A FŰKASZA INDÍTÁSA/LEÁLLÍTÁSA (M ábra)

### Indítás

Nyomja meg a kapcsoló gombot, majd oldja ki a triggert. Ha különböző erősséggel nyomja meg a triggert, akkor a fűkasza változó vágási sebességgel működik. Erősebb nyomásnál nagyobb a sebesség.

### Leállítás

Engedje el a kapcsolót.

**MEGJEGYZÉS:** A motor csak akkor működik, ha a kioldó gombot és a kapcsolót is nyomva tartja.

### Sebességállító funkció (M ábra)

A fűkasza két sebességgel működik. Az „1.” pozíció az alacsony sebességet, míg a „2.” pozíció a nagy sebességet jelöli.

M-1	Alacsony/nagy sebesség kapcsoló
M-2	Kioldó gomb
M-3	Kapcsoló

## FŰKASZA HASZNÁLATA

Minden használat előtt tisztítsa meg a nyírandó területet. Távolítsa el minden tárgyat, pl. követ, törött üveget, tűt, vezetékot vagy zsinórt, amely beakadhat a vágóegységbe. A területen ne legyenek gyermekek, nézelődők vagy állatok. Minden nézelődő, gyermek és állat legalább 15 m távolságban legyen; még így fennáll a veszélye, hogy tárgyak repülnek a nézelődők felé. A nézelődők is viseljenek védőszemüveget. Amikor Ön felé közeledik valaki, azonnal állítsa le a motort és a vágóegységet.

### Minden használat előtt ellenőrizze a sérült/kopott alkatrészeket

Ellenőrizze az ütköző fejet, védőburkolatot és első segédfohantyút, és cserélje ki a repedt, behajolt vagy sérült alkatrészeket.

A védőburkolat szélén lévő vágópengé egy idő után tompa lehet. Javasoljuk, hogy időnként élezze meg reszelővel, vagy cserélje ki új pengére.

**▲ FIGYELMEZTETES:** Mindig viseljen kesztyűt, amikor felszereli vagy kicseréli a védőburkolatot, illetve amikor megélezi vagy kicseréli a pengét. Jegyezze meg, hol van a penge a védőburkolat alatt, és óvja a kezét sérülésektől.

### Ellenőrizze, hogy nincs-e eltömődés a vágófejben

- Az eltömődés elkerülése érdekében tartsa tisztán a vágófejet. Minden használat előtt és után távolítsa el a levágott fűvet, leveleket, szennyeződéseket és minden egyéb felgyülemlett lerakódást.

- Ha eltömődik, állítsa le a damilos fűkaszát és vegye ki az akkumulátort, majd távolítsa el a fűvet, amely a motor tengelye vagy a vágófej köré tekeredhetett.

## Minden használat után tisztítsa meg a fűkaszát.

### A VÁGÁS HOSSZÁNAK BEÁLLÍTÁSA

A fűkasza fej lehetővé teszi a kezelőnek, hogy a motor leállításával nélkül oldjon ki vágószálát. Ha a szál kopott vagy elhasználódott, akkor további szál oldható ki, ha enyhén megnyomja az orsó rögzítőelemét a fűkasza fej működése közben (Q ábra).

**MEGJEGYZÉS:** A vágószál kioldása egyre nehezebb, ha a vágószál rövidebb lesz.

**▲ FIGYELMEZTETES:** Ne távolítsa el, és ne változtassa meg a vágóegységet. A felesleges hossz miatt a motor túlmelegszik, amely súlyos sérülést okozhat.

### VÁGÓSZÁL CSERÉJE

**MEGJEGYZÉS:** Mindig a javasolt nylon vágószálát használja, amelynek átmérője nem használja meg a 2,4 mm-t. Ha nem ilyet használ, akkor a fűkasza túlmelegedhet, vagy megsérülhet.

**▲ FIGYELMEZTETES:** Soha ne használjon fémmel merevített szálát, zsinórt, vezetéket stb. Ezek eltörhetnek, és veszélyesek lehetnek a szétröppendő részek miatt.

1. Vegye le az akkumulátoregységet.
2. Vegye le a maradék vágószálát, ha szükséges.
3. Vágjon le 4 m hosszú vágószálát. Helyezze a vágószálát a fűzőlyuk rögzítőlyukába (R ábra). Húzza és tolja a vágószálát a másik oldalról, amíg egyenlő mennyiség nincs az orsó két oldalán.
4. Az alsó borítás forgatása közben tolja a nyíl irányába a vágószál feltekeréséhez, amíg körülbelül 14 cm vágószál marad kint mindkét oldalon (S ábra).
5. Nyomja le az alsó borítást, miközben húzza a vágószálát, hogy kézzel beállítsa, és ellenőrizze a fűkasza fej megfelelő összeszerelését.

Ha a vágószál kiszakad a vágószál kimenetből, vagy a vágószál nem oldódik ki, ha a vágófej beakadt, akkor kövesse az alábbi lépéseket:

1. Nyomja meg a kioldógombot a felső borításon, és távolítsa el az alsó borítást úgy, hogy egyenesen kihúzza (T és U ábra).
2. Távolítsa el a vágószálát az orsóból.
3. Míg az egyik kezével az alsó borítást tartja, fogja a másik kezével az alsó borítást, és illessze a felső borításon található gombokat az alsó borítás

nyílásaiba (V ábra); A tenyerével nyomja az alsó borítást, amíg a gombok a helyükre kerülnek a felső borításban.

4. A vágószál újratöltéséhez kövesse a „VÁGÓSZÁL CSERÉJE” pontban található utasításokat.

### 3 FOGÚ PENGE CSERÉJE

**MEGJEGYZÉS:** A sérülések elleni védelem érdekében kesztyűt kell húzni, mielőtt bármilyen műveletet végezne a 3 fogú pengével.

1. Vegye le az alsó borítást a T és U ábrán látható módon.
2. Helyezze be a stabilizátort, majd egy csavarkulccsal lazítsa meg az anyát az X1 és X2 ábrán látható módon.
3. Távolítsa el minden alkatrészt a belső peremen és anyán kívül (X3 ábra), szerelje fel a pengét a motor tengelyre az X4 ábrán látható módon.
4. Húzza meg a pengét X5 ábra.

**▲ FIGYELMEZTETES:** Amikor fiatal hajtásokat vagy más fás anyagokat vág, amelyek átmérője legfeljebb 2 cm, akkor használja a penge bal oldalát a penge lökődésének elkerülése érdekében. Ne próbáljon meg nagyobb átmérőjű fás anyagot vágni, mivel a penge elakadhat vagy elkezdheti rángatni a bozótívágót. Ez a penge vagy a bozótívágó sérülését okozhatja, vagy Ön elveszítheti az uralmát a bozótívágó felett, aminek személyi sérülés lehet a vége.

**MEGJEGYZÉS:** Rendszeresen élezze meg a pengét (ha érzékelhetően tompa), és szükség esetén egyensúlyozza ki (szakképzett szakemberrel végeztesse el).

## KARBANTARTÁS

**▲ FIGYELMEZTETES:** Javításkor használjon azonos pótalkatrészeket. Rendszeresen ellenőrizze a gépet, és végezzen karbantartást. A biztonságosság és megbízhatóság biztosítása érdekében minden javítást szakképzett szerviztechnikus hajtsa végre.

**▲ FIGYELMEZTETES:** A súlyos személyi sérülések elkerülése érdekében távolítsa el az akkumulátoregységet a szerszámból szervizelés, tisztítás, tartozékok cseréje vagy anyagok szerszámból való eltávolítása közben.

**▲ FIGYELEM:** A szellőzőnyílásokban lévő akadályok megakadályozzák, hogy levegő áramoljon a motorházba, így a motor megsérülhet vagy túlmelegedhet.

## AZ EGYSÉG TISZTÍTÁSA

- Nedves törőruhával és enyhe tisztítószerrel tisztítsa meg az egységet. Soha ne hagyja, hogy bármilyen folyadék a szerszámba kerüljön, soha ne merítse vízbe a szerszám egyetlen alkatrészét sem.
- Ne használjon erős tisztítószerkeket a műanyag burkolaton vagy a fogantyún. Ezek megsérülhetnek a különböző aromaolajaktól, pl. fenyő vagy citrom, és az olyan oldószerektől, mint a kerozin. A nedvesség szintén áramütés veszélyét okozhatja. A nedvességet egy puha, száraz törővel törölje le.
- Használjon kis kefét vagy egy kis porszívó levegőkimenetét a hátsó burkolaton lévő szellőzőnyílások megtisztításához.
- A motorházon lévő szellőzőnyílásokat mindig tartsa szennyeződésektől mentesen.

## SEBESSÉGVÁLTÓ OLAJOZÁSA

A szerelvényburkolatban lévő sebességváltót időnként be kell olajozni kenőanyaggal. Ellenőrizze a szerelvényburkolat kenőanyag szintjét minden 50. működési óra után, úgy, hogy leveszi a burkolat oldalán lévő rögzítőcsavart.

Ha nem lát kenőanyagot a burkolat oldalán, akkor kövesse a lenti lépéseket, hogy feltöltse a térfogat 3/4-éig kenőanyaggal. Ne töltsse fel teljesen a sebességváltót.

1. Tartsa a fúkasztát az oldalán, hogy a rögzítőcsavar felfelé nézzen (W ábra).
2. Használja a mellékelt multifunkciós csavarkulcsot a rögzítőcsavar meglazításához és levételéhez.
3. Használjon zsírozó fecskendő (nem tartozék), hogy kenőanyagot vigyen fel a csavar nyílásra; ne lépje túl a 3/4 térfogatot.
4. Befecskendezés után húzza meg a rögzítőcsavart.

## AZ EGYSÉG TÁROLÁSA

- Vegye ki az akkumulátoregységet a fúkasztából, amikor nem használja.
- Tárolás előtt alaposan tisztítsa meg a szerszámot.
- Az egységet száraz, jól szellőző, elzárt vagy magas helyen tárolja, ahol gyermekek nem érik el. Ne tárolja az egységet műtrágyák, benzin vagy más vegyszerek mellett.
- A pengétok használata a 3 fogú pengén szállítás és tárolás során.

## Környezetvédelem



Ne dobja az elektromos felszerelést, az elhasznált akkumulátort és a töltőt a háztartási hulladékok közé! Vigye hivatalos újrahasznosító telephelyre, és tegye hozzáférhetővé a szelektív gyűjtéshez. Az elektromos szerszámokat környezetbarát újrahasznosító üzembe kell vinni.

## HIBAELHÁRÍTÁS

PROBLÉMA	OK	MEGOLDÁS
Fűkaszálo nem indul.	<ul style="list-style-type: none"> <li>■ Az akkumulátoregység nincs csatlakoztatva a fűkaszához.</li> <li>■ Nincs elektromos kapcsolat a sövénynyíró és az akkumulátor között.</li> <li>■ Az akkumulátoregység lemerült.</li> <li>■ A kioldó gomb és a kapcsoló nincs egyidejűleg megnyomva.</li> </ul>	<ul style="list-style-type: none"> <li>■ Csatlakoztassa az akkumulátoregységet a fűkaszához.</li> <li>■ Vegye ki az akkumulátoregységet, ellenőrizze a csatlakozásokat, és helyezze vissza az akkumulátoregységet.</li> <li>■ Töltse fel az akkumulátoregységet.</li> <li>■ Nyomja meg és tartsa lenyomva a kioldó gombot, majd nyomja meg a kapcsolót a fűkasza bekapcsolásához.</li> </ul>
A fűkasza vágás közben leáll.	<ul style="list-style-type: none"> <li>■ A védőburkolat nincs felszerelve a fűkaszára, amely révén a vágószál túl hosszú, és a motor túlterhelt.</li> <li>■ Nehéz vágószálat használ.</li> <li>■ A motor tengely vagy fűkasza fej beakadt a fűbe.</li> <li>■ A motor túlterhelt</li> <li>■ Az akkumulátoregység vagy a fűkasza túl forró.</li> <li>■ Az akkumulátoregység ki van véve a számszámból.</li> <li>■ Az akkumulátoregység lemerült.</li> </ul>	<ul style="list-style-type: none"> <li>■ Vegye ki az akkumulátoregységet, és szerelje fel a védőburkolatot a fűkaszára.</li> <li>■ Használja a javasolt nejlön vágószálat, legfeljebb 2,4 mm átmérővel.</li> <li>■ Állítsa le a fűkaszt, vegye ki az akkumulátort, és távolítsa el a fűvet a motor tengelyről és fűkasza fejről.</li> <li>■ Távolítsa el a fűvet a fűkasza fejről. A motor újra működőképes, ha a terhet eltávolítja. Vágás közben a fűkasza fejet oda-vissza mozgassa a vágandó fűvön, és 20 cm-nél hosszabb fűvet ne vágjon egy vágással.</li> <li>■ Hűtse le az akkumulátoregységet vagy a fűkaszt 67°C alatti hőmérsékletre.</li> <li>■ Helyezze vissza az akkumulátoregységet.</li> <li>■ Töltse fel az akkumulátoregységet.</li> </ul>

HU

PROBLÉMA	OK	MEGOLDÁS
A fűkasza fej nem enged ki a szálát.	<ul style="list-style-type: none"> <li>■ A motor tengely vagy fűkasza fej beakadt a fűbe.</li> <li>■ Nincs elég szál az orsón.</li> <li>■ A fűkasza fej piszkos.</li> <li>■ A vágószál összegabalyodott az orsón.</li> <li>■ A szál túl rövid.</li> </ul>	<ul style="list-style-type: none"> <li>■ Állítsa le a fűkaszázt, vegye ki az akkumulátort, és tisztítsa meg a motor tengelyt és fűkasza fejet.</li> <li>■ Vegye ki az akkumulátort, és cserélje ki a vágószálát; kövesse a jelen használati útmutató „VÁGÓSZÁL CSERÉJE” fejezetet.</li> <li>■ Vegye ki az akkumulátort, és tisztítsa meg a fűkasza fejet.</li> <li>■ Vegye ki az akkumulátort, és vegye ki a vágószálát a vágófejből, és tekerje fel újra; a jelen használati útmutató „VÁGÓSZÁL ÚJRATÖLTÉSE” című fejezetét követve.</li> <li>■ Vegye ki az akkumulátort, és húzza ki a vágószálát kézzel, közben nyomja le, és oldja ki a fűkasza fejet.</li> </ul>
Fű tekeredett a fűkasza fejre és a motorházra.	<ul style="list-style-type: none"> <li>■ Magas fűvet vág talajhoz közel.</li> </ul>	<ul style="list-style-type: none"> <li>■ A magas fűvet felülről vágja, egyszerre 20 cm-nél többet ne vágjon, így elkerüli a feltekeredést.</li> </ul>
A fűkasza vágófején vagy az alsó borításon lévő repedések a felső borítástól eredően szétnyílnak.	<ul style="list-style-type: none"> <li>■ A fűkasza fej elhasználódott.</li> </ul>	<ul style="list-style-type: none"> <li>■ Azonnal cseréltesse ki a fűkasza fejet egy szakképzett szerviztechnikussal.</li> </ul>

## GARANCIA

### EGO GARANCIÁLIS FELTÉTELEK

Kérjük, látogasson el az [egopowerplus.eu](http://egopowerplus.eu) oldalra, ahol megtalálja a részletes EGO garanciális feltételeket.

## CITIȚI TOATE INSTRUCȚIUNILE!



CITIȚI MANUALUL DE INSTRUCȚIUNI



Alertă privind siguranța



Purtați echipament de protecție oculară



Nu utilizați lame de metal



Distanța dintre produs și trecători ar trebuie să fie de cel puțin 15 m.



Diametrul firului - Diametrul firului de tăiere din nailon



Acest produs este în conformitate cu directivele europene aplicabile.



Deșeurile produselor electrice nu trebuie să fie eliminate împreună cu deșeurile menajere. Predați-le unui punct de reciclare autorizat.

V Tensiune

.../min Pe minut

kg Kilogram

## SIMBOLURI PRIVIND SIGURANȚA

**⚠️ AVERTISMENT:** Exploatarea oricăror scule electrice se poate solda cu ricoșarea de obiecte străine în ochii dumneavoastră, ceea ce se poate solda cu vătămarea gravă a ochilor. Înainte de a începe să utilizați scula electrică, echipați-vă întotdeauna cu ochelari de protecție cu apărători laterale și vizieră pentru față, atunci când este nevoie. Vă recomandăm să purtați o vizieră lată de protecție peste ochelarii de vedere sau ochelari de protecție standard cu apărători laterale.



Citiți și înțelegeți manualul de instrucțiuni



Purtați echipament de protecție auditivă



Atenție la obiectele aruncate



Deconectați bateria înainte de întreținere



Lățime de tăiere - Lățimea maximă de tăiere a cositorii cu fir



Acest produs este în conformitate cu legislația aplicabilă din Marea Britanie.



Nivel de putere acustică garantat. Emisii sonore în mediul înconjurător conform Directivei comunitare europene.

$n_0$  Turație de mers în gol

≡ Curent continuu

IPX4 Protecție împotriva stropilor de apă

## SPECIFICAȚII

	Cap de trimmer	Lamă cu 3 dinți	
Tensiune	56 V $\text{---}$	56 V $\text{---}$	
Temperatură de funcționare recomandată:	0°C-40°C		
Temperatură de depozitare recomandată:	-20°C-70°C		
Temperatură optimă de încărcare	5°C-40°C		
Turație de mers în gol	5000/6000 min <sup>-1</sup>	5000/6000 min <sup>-1</sup>	
Tipul firului de tăiere	2,4 mm	/	
Lamă de tăiere	/	ABB1203	
Lățime de tăiere	38 cm	30cm	
Greutate (fără set de acumulatori)	4,21 kg	4,45 kg	
Nivel de putere sonoră măsurată L <sub>WA</sub>	94,6 dB(A) K=1,8 dB(A)	96,5 dB(A) K=1,88 dB(A)	
Nivel de presiune sonoră la urechea operatorului L <sub>PA</sub>	81,7 dB(A) K=2,5 dB(A)	76,5 dB(A) K=3 dB(A)	
Nivel de putere acustică garantat L <sub>WA</sub> : (conform 2000/14/CE)	96 dB(A)	98 dB(A)	
Vibrații a <sub>n</sub>	Mâner frontal de susținere	3,2 m/s <sup>2</sup> K=1,5 m/s <sup>2</sup>	2,8 m/s <sup>2</sup> K=1,5 m/s <sup>2</sup>
	Mâner posterior	2,3 m/s <sup>2</sup> K=1,5 m/s <sup>2</sup>	3,1 m/s <sup>2</sup> K=1,5 m/s <sup>2</sup>

- Valoarea totală declarată a vibrațiilor a fost măsurată în conformitate cu o metodă standard de testare și poate fi utilizată pentru compararea sculelor între ele;
- Valoarea totală declarată poate fi utilizată în evaluarea preliminară a expunerii.

**OBSERVAȚIE:** Vibrațiile emise în timpul utilizării efective a sculei electrice pot diferi față de valoarea celor declarate pentru scula utilizată; Pentru protejerea operatorului, utilizatorul trebuie să poarte mănuși și protecții auditive în timpul utilizării efective a produsului.

## DESCRIEREA

### DESCRIEREA TRIMMERULUI CU FIR (Fig. A1)

- Inel limitator

- Declanșator
- Mâner posterior
- Admisie de aer
- Buton de siguranță
- Regulator de viteză ridicată/joasă
- Suport de prindere a curelei de umăr
- Mâner frontal ajustabil
- Curea de umăr
- Cheie multifuncțională
- Cheie hexagonală
- Cap de trimmer (Cap cu bobină)
- Fir de tăiere
- Ureche de detașare
- Lamă de tăiere fir
- Apărătoare
- Mecanism de ejectare
- Contacte electrice
- Zăvor
- Amortizor cauciucat de protecție
- Buton de detașare acumulator
- Bară de siguranță (Numai pentru cap de trimmer pentru iarbă)
- Tijă de blocare pentru bară de siguranță (Numai pentru cap de trimmer pentru iarbă)
- Flanșă exterioară (Numai pentru cap de trimmer pentru iarbă)
- Piuliță (Numai pentru cap de trimmer pentru iarbă)
- Șuruburi (Numai pentru cap de trimmer pentru iarbă)

RO

## LISTA COMPONENTELOR

DENUMIREA PIESELOR	CANTITATE
Trimmer cu fir	1
Apărătoare	1
Ansamblu mâner frontal de susținere	1
Cheie hexagonală	1
Cheie multifuncțională	1
Curea de umăr	1
Manual de utilizare	1
Tijă de blocare	1
Flanșă exterioară	1
Piuliță	1
Șurub	2

## ASAMBLAREA

**⚠️ AVERTISMENT:** Dacă unele piese sunt deteriorate sau lipsesc, nu utilizați acest produs până la înlocuirea pieselor. Utilizarea acestui produs cu piese deteriorate sau lipsă s-ar putea solda cu vătămări grave.

**⚠️ AVERTISMENT:** Nu încercați să modificați acest produs sau să creați accesorii nerecomandate pentru această cositoare cu fir. Orice astfel de modificare sau schimbare reprezintă o utilizare necorespunzătoare și se poate solda cu condiții periculoase care pot conduce la posibile vătămări grave.

**⚠️ AVERTISMENT:** Pentru a preveni pornirea accidentală care ar putea cauza vătămări personale grave, întotdeauna scoateți setul de acumulatori din mașină când asamblați componente.

**⚠️ AVERTISMENT:** Atunci când mașina este echipată cu cap perie de tăiere, trebuie montată bara de siguranță.

### MONTAREA APĂRĂTORII

**⚠️ AVERTISMENT:** Purtați întotdeauna mănuși când montați sau înlocuiți apărătoarea. Aveți grijă la lama de pe apărătoare și protejați-vă mâna împotriva tăieturilor.

**⚠️ AVERTISMENT:** Nu utilizați niciodată mașina fără apărătoarea bine fixată. Apărătoarea trebuie să fie întotdeauna instalată pe mașină pentru a proteja utilizatorul! Când apărătoarea este atașată, nu încercați niciodată să o îndepărtați sau să o reglați; dacă este nevoie să fie înlocuită, această operație trebuie executată de un tehnician de service autorizat!

1. Desfaceți și îndepărtați cele două șuruburi de pe apărătoare (Fig. B).
2. Aliniați orificiile de fixare ale apărătoarei cu orificiile ansamblului, după care prindeți apărătoarea de baza tijei cu ajutorul celor două șuruburi împreună cu două șaibe elastice (Fig. C).

**OBSERVAȚIE:** Asigurați-vă că apărătoarea este fixată conform ilustrațiilor din Fig. B și C, orice fixare inversată va cauza un mare pericol!

### MONTAREA ȘI REGLAREA MĂNERULUI FRONTAL DE SUSȚINERE

1. Desfaceți tija de blocare din mânerul frontal de susținere și scoateți tija de blocare și piulița fluture din mânerul frontal de susținere (Fig.D).

**OBSERVAȚIE:** Instalați ansamblul barei de siguranță pe mânerul de susținere cu cele două șuruburi atunci când

scula este echipată cu capul de coasă pentru iarbă.

**OBSERVAȚIE:** există două tipuri de tije de blocare, cea mai scurtă este pentru capul trimmerului. Cea mai lungă este pentru capul trimmerului de iarbă. Aveți grijă să alegeți tija de blocare corectă când utilizați scula.

D-1	Mâner frontal de susținere	D-4	Bară de siguranță (Numai pentru cap de trimmer de iarbă)
D-2	Bloc de fixare	D-5	Tijă de blocare
D-3	Piuliță fluture		

2. Împingeți mânerul frontal de susținere pe axul din fața inelului limitator. Nu-l amplasați niciodată între inelul limitator și zona mânerului posterior (Fig. E).
3. Introduceți blocul de fixare în fanta mânerului (Fig. F).
4. Instalați tija de blocare și strângeți cu piulița fluture. Asigurați-vă că mânerul frontal de susținere este îndreptat în sus și este orientat spre partea superioară a mânerului posterior (Fig. G).
5. Poziționați mânerul frontal de susținere între inelul limitator și etichetă astfel încât brațul dumneavoastră să stea drept în timpul utilizării (Fig. H).
6. Blocați maneta de pe tija de blocare. (Fig. I).

**⚠️ AVERTISMENT:** Scula nu poate fi utilizată fără ca mânerul frontal de susținere să fie bine fixat.

### MONTAREA CURELEI DE UMĂR

Pentru o funcționare mai sigură și mai bună, puneți cureaua peste unul dintre umeri și peste spate.

1. Apăsăți pe cârligul curelei pentru a-l deschide și fixați-l pe suportul de prindere a curelei de umăr (Fig. J).
2. Reglați lungimea și plasarea curelei de umăr la o poziție de lucru confortabilă - țineți mașina de tuns iarbă cu ambele mâini: o mână pe mânerul din spate și cealaltă mână pe mânerul din față.

**⚠️ AVERTISMENT:** În caz de urgență, îndepărtați imediat cureaua de pe umăr, indiferent de modul de instalare a curelei.

Nu utilizați simultan cureaua unică de umăr și cureaua dublă de umăr cu suport de spate.

Atunci când purtați cureaua, nici un alt purtabil nu ar trebui să interfereze cu eliberarea și îndepărtarea curelei.

### FUNCȚIONAREA

**⚠️ AVERTISMENT:** Purtați întotdeauna ochelari de protecție sau ochelari de protecție cu apărători laterale, împreună cu echipament de protecție auditivă. Nerespectarea acestui lucru se poate solda cu proiecția



obiectelor în ochi și alte vătămări grave.

Puteți utiliza acest produs în scopurile menționate mai jos:

**Cosire:** utilizare pentru îndepărtarea ierbii și a buruienilor de lângă pereți, garduri, copaci și borduri.

**Tăiere:** utilizare pentru tăierea ierbii greu accesibile cu o mașină normală de tuns iarba.

**OBSERVAȚIE:** Scula trebuie utilizată numai în scopul pentru care a fost proiectată. Orice altă utilizare, de exemplu profilarea peluzelor, este considerată a fi caz de utilizare necorespunzătoare.

### ATAȘAREA/DETAȘAREA SETULUI DE ACUMULATORI

Utilizați numai seturile de acumulatori și încărcătorii din fig.A2.

**Încărcați acumulatorul complet înainte de prima utilizare.**

#### Pentru atașare

Aliniați nervurile de pe acumulator cu fantele de montare și apăsați în jos setul de acumulatori până la azul unui clic (Fig. K).

#### Pentru detașare

Apăsați pe butonul de eliberare a acumulatorului și scoateți setul de acumulatori precum în Fig. L.

L-1	Buton de eliberare a acumulatorului
-----	-------------------------------------

### ȚINEREA TRIMMERULUI CU FIR

Pentru utilizare sigură și mai bună, poziționați cureaua de umăr peste umăr precum în ilustrația din Fig. N. Ajustați cureaua de umăr într-o poziție confortabilă de utilizare. Țineți trimmerul cu fir cu ambele mâini: O mână pe mânerul posterior și o altă mână pe mânerul frontal de operare.

**OBSERVAȚIE:** Capul trimmerului este paralel cu solul la o distanță corectă de tăiere, fără ca operatorul să fie nevoit să se aplece (Fig. N).

Există două moduri de a elibera cureaua. Scoateți-o direct de pe umăr (Fig. O) sau apăsați pe cârligul curelei și detașați-o de pe suportul de prindere a curelei de umăr de pe tijă (Fig. P).

**⚠ AVERTISMENT:** Cureaua de umăr este și un mecanism de eliberare rapidă în situații periculoase. În caz de urgență, îndepărtați imediat cureaua de pe umăr, indiferent de modul de instalare a curelei.

### PORNIREA/OPRIREA TRIMMERULUI CU FIR (Fig. M)

#### Pornirea

Apăsați în jos maneta de blocare, după care apăsați trăgaciul. Gradul de apăsare al trăgaciului influențează viteza de rotire a firului. Cu cât presiunea de apăsare este mai mare, cu atât va fi și viteza mai mare.

#### Oprirea

Eliberați declanșatorul.

**OBSERVAȚIE:** Motorul funcționează numai când sunt apăsați simultan butonul de siguranță și declanșatorul.

### Funcția de reglare a vitezei (Fig. M)

Trimmerul cu fir are două viteze. Poziția „1” este pentru viteză scăzută, iar Poziția „2” este pentru viteză ridicată.

M-1	Regulator de viteză ridicată/joasă
M-2	Buton de siguranță
M-3	Declanșator

### UTILIZAREA TRIMMERULUI CU FIR

Curățați zona de tuns iarba înainte de fiecare utilizare. Îndepărtați toate obiectele, cum ar fi pietre, sticlă spartă, cuie, sârmă sau fire care pot fi aruncate sau se pot încurca în capul de tăiere. Îndepărtați din zonă copiii, trecătorii și animalele de companie. Țineți toți copiii, trecătorii și animalele la o distanță minimă de 15 m; poate exista totuși un risc pentru trecători datorită obiectelor ejectate. Trecătorii trebuie încurajați să poarte ochelari de protecție. Dacă cineva se apropie de dumneavoastră, opriți imediat motorul și capul de tăiere.

**Înainte de fiecare utilizare, verificați scula pentru depistarea pieselor deteriorate/uzate.**

Verificați capul cu bobina, apărătoarea și mânerul frontal de operare și înlocuiți piesele care sunt fisurate distorsionate, indoite sau avariate în vreun fel.

Lama de tăiere a firului de pe muchia apărătoarei se poate tocii cu timpul. Se recomandă să o ascuțiți periodic cu o pilă sau să o înlocuiți cu una nouă.

**⚠ AVERTISMENT:** Purtați întotdeauna mănuși atunci când montați sau înlocuiți apărătoarea sau atunci când ascuțiți sau înlocuiți lama de tăiere a firului. Rețineți amplasarea lamei pe apărătoare și protejați-vă mâinile de răni.

#### Verificați de blocaje ale capului trimmer

- Pentru a preveni blocarea, păstrați capul trimmer curat. Îndepărtați iarba tăiată, frunzele, murdăria și orice alte resturi acumulate înainte și după fiecare utilizare.
- Când se întâmplă blocaj, opriți trimmerul cu fir și scoateți bateria, apoi îndepărtați orice iarbă care s-ar fi înfășurat în jurul arborelui motorului sau a capului trimmer.

După fiecare utilizare, curățați trimmerul.

## REGLAREA LUNGIMII FIRULUI DE TĂIERE

Capul trimmerului permite utilizatorului să elibereze mai mult fir fără să oprească motorul. Pe măsură ce firul devine fragil sau uzat, se poate elibera fir suplimentar prin lovirea ușoară a capului trimmerului de sol în timpul funcționării trimmerului (Fig. Q).

**OBSERVAȚIE:** Eliberarea firului devine mai dificilă pe măsură ce firul devine mai scurt.

**⚠️ AVERTISMENT:** Nu îndepărtați și nu modificați ansamblul lamei de tăiere a firului. Lungimea excesivă a firului poate cauza supraîncălzirea motorului și poate duce la vătămări personale grave.

## ÎNLOCUIREA FIRULUI

**OBSERVAȚIE:** Utilizați firul de nailon de tăiere recomandat cu diametrul de maxim de 2,4mm. Utilizarea unui fir diferit de cel specificat poate duce la supraîncălzirea trimmerului cu fir sau la deteriorarea acestuia.

**⚠️ AVERTISMENT:** Nu utilizați niciodată fir de metal ranforsat, sârmă sau frânghie, etc. Acestea se pot rupe și pot deveni proiectile periculoase.

1. Îndepărtați setul de acumulatori.
2. Îndepărtați firul de tăiere rămas, dacă este nevoie.
3. Tăiați fir de tăiere cu lungimea de 4 m, introduceți firul în gaura de montare din interiorul ochetului (Fig. R). Împingeți și trageți firul din partea opusă până când în ambele laturi ale bobinei firele au aceeași lungime.
4. Apăsăți, în timp ce rotiți ansamblul capacului inferior în direcția săgeții, pentru a înfășura firul pe bobină până când rămân aproximativ 14 cm de fir de fiecare parte (Fig. S).
5. Apăsăți în jos ansamblul apărătorii inferioare în timp ce instalați firele pentru a derula manual firul și a vă asigura că asamblarea capului de trimmer este corectă.

Când firul de tăiere se rupe din orificiul de ieșire al acestuia sau dacă firul nu este eliberat când capul trimmerului este lovit, urmați pașii de mai jos:

1. Apăsăți pe cele două urechi de detașare de pe capacul superior și scoateți ansamblul capacului inferior extrăgându-l spre exterior (Fig. T și U).
2. Scoateți firul de tăiere din bobină.
3. Ținând cu o mână ansamblul capacului inferior, utilizați cealaltă mână pentru a apuca ansamblul capacului inferior și aliniați urechile de pe capacul superior cu orificiile din ansamblul capacului inferior (Fig. V). Utilizați palma pentru a apăsa ansamblul capacului inferior până

când urechile se blochează în capacul superior.

4. Uрмаți instrucțiunile din „ÎNLOCUIREA FIRULUI” pentru a reincărcă firul de tăiere.

## ÎNLOCUIREA LAMEI CU 3 DINȚI

**OBSERVAȚIE:** Pentru a vă proteja împotriva vătămării, trebuie să purtați mănuși înainte de orice operație cu lama cu 3 dinți.

1. Îndepărtați ansamblul apărătorii inferioare precum în ilustrațiile din Fig. T & U
2. Introduceți stabilizatorul, după care utilizați o cheie tubulară cu impact pentru a slăbi piulița ca în Fig. X1 & X2.
3. Îndepărtați toate componentele cu excepția flanșei interioare și a piuliței (Fig. X3), instalați lama pe axul motorului conform instrucțiunilor din fig. X4.
4. Strângeți bolțul lamei conform instrucțiunilor din fig. X5.

**⚠️ AVERTISMENT:** Când tăiați lăstari sau alte materiale lemnoase cu diametrul maxim de 2cm, utilizați partea stângă a lamei pentru a evita propulsarea acesteia. Nu încercați să tăiați material lemnos cu diametrul mai mare, deoarece lama poate prinde sau poate arunca trimmerul pentru tușșuri înainte. Acest lucru poate avaria lama sau trimmerul pentru tușșuri, ori cauza pierderea controlului trimmerului pentru tușșuri, rezultând în răni.

**OBSERVAȚIE:** Reascuțiți lama periodic (când este tocită evident) și dacă este nevoie, echilibrați-o (operație efectuată de un tehnician autorizat de service).

## ÎNȚREȚINEREA

**⚠️ AVERTISMENT:** La depanare, utilizați numai piese de schimb identice. Inspectați și efectuați întreținerea mașinii cu regularitate. Pentru siguranța și fiabilitatea produsului, toate reparațiile trebuie efectuate de către un tehnician de service autorizat.

**⚠️ AVERTISMENT:** Pentru prevenirea rănilor personale grave, scoateți setul de acumulatori din sculă înainte de a depana, curăța, înlocui accesoriile detașabile sau de a îndepărta materialul din produs.

**⚠️ ATENȚIE:** Obținerea orificiilor de ventilație va împiedica pătrunderea aerului în carcasa motorului și va provoca supraîncălzirea sau deteriorarea motorului.

### CURĂȚAREA PRODUSULUI

- Curățați scula electrică cu o cârpă umedă, înmuiată în detergent cu acțiune moderată. Nu lăsați niciun lichid să pătrundă în interiorul sculei; nu scufundați niciodată vreo parte a sculei în vreun lichid.
- Nu utilizați detergenți puternici pe carcasa de plastic sau pe mâner. Acestea pot fi deteriorate de anumite uleiuri parfumate precum brad și lămâie, și de către solvenți precum kerosenul. Umezeala poate cauza un risc de electrocutare. Ștergeți orice urmă de umezeală cu o cârpă uscată.
- Utilizați o perie mică sau o perie cu jet de aer de la un aspirator mic pentru a curăța orificiile de ventilație de pe carcasa posterioară.
- Păstrați în permanență curate orificiile de ventilație din carcasa motorului.

### LUBRIFIAREA ANGRENAJELOR DE TRANSMISIE

Angrenajele de transmisie din carcasa cutiei de viteze trebuie lubrifiate periodic cu vaselină pentru angrenaje. Verificați nivelul unsoarei din carcasa cutiei de viteze la fiecare 50 de ore de utilizare îndepărtând șurubul de etanșeizare de pe latura carcasei.

Dacă pe flancurile angrenajului nu se vede vaselină, urmați pașii de mai jos pentru a umple cu vaselină pentru angrenaje până la 3/4 din capacitate. Nu umpleți complet angrenajele de transmisie.

1. Țineți trimmerul cu fir pe partea laterală, astfel încât șurubul de etanșeizare să fie îndreptat în sus (Fig. W).
2. Utilizați cheia multifuncțională furnizată pentru a desface și a îndepărta șurubul de etanșeizare.
3. Utilizați o seringă (neinclusă) pentru a injecta o cantitate de unsoare în orificiul șurubului; nu depășiți 3/4 din capacitate.
4. După injectare, strângeți șurubul de etanșeizare.

### DEPOZITAREA PRODUSULUI

- Scoateți setul de acumulatori din trimmerul cu fir când acesta nu este utilizat.
- Curățați scula bine înainte de a o depozita.
- Depozitați produsul într-un loc uscat, bine ventilat, închis cu cheia sau la înălțime, inaccesibil copiilor. Nu depozitați produsul peste sau lângă îngrășămintele, benzină sau alte substanțe chimice.
- Utilizarea învelișului lamei pe lama cu 3 dinți în timpul transportului și depozitării.

### Protejarea mediului înconjurător



Nu eliminați echipamentul electric, încărcătorul de acumulator și acumulatorul împreună cu deșeurile menajere! Predați acest produs unui punct de reciclare autorizat sau puneți-l la dispoziția colectării separate. Sculele electrice trebuie returnate unui centru de reciclare ecologic.

**RO**

## DEPANAREA

PROBLEMĂ	CAUZĂ	SOLUȚIE
Trimmerul cu fir nu pornește.	<ul style="list-style-type: none"> <li>■ Setul de acumulatori nu este atașat de trimmer.</li> <li>■ Nu există contact electric între trimmerul cu fir și acumulator.</li> <li>■ Setul de acumulatori este descărcat.</li> <li>■ Butonul de siguranță și declanșatorul nu sunt apăsați simultan.</li> </ul>	<ul style="list-style-type: none"> <li>■ Atașați setul de acumulatori la trimmer.</li> <li>■ Îndepărtați acumulatorul, verificați contactele și reinstalați setul de acumulatori.</li> <li>■ Încărcați setul de acumulatori.</li> <li>■ Apăsați în jos butonul de siguranță și țineți-l apăsat, după care apăsați pe declanșator pentru a porni trimmerul.</li> </ul>
Trimmerul cu fir se oprește în timpul utilizării.	<ul style="list-style-type: none"> <li>■ Apărătoarea nu este montată pe trimmer, având ca rezultat un fir de tăiere prea lung și suprasolicitarea motorului.</li> <li>■ Este utilizat un fir de tăiere gros.</li> <li>■ Axul motorului sau capul trimmerului este blocat cu iarbă.</li> <li>■ Motorul este suprasolicitat.</li> <li>■ Setul de acumulatori sau trimmerul sunt prea fierbinți.</li> <li>■ Setul de acumulatori este deconectat de la sculă.</li> <li>■ Setul de acumulatori este descărcat.</li> </ul>	<ul style="list-style-type: none"> <li>■ Îndepărtați setul de acumulatori și montați apărătoarea pe trimmer.</li> <li>■ Utilizați firul de nailon de tăiere recomandat cu diametrul de maxim 2,4 mm.</li> <li>■ Opriți trimmerul, îndepărtați acumulatorul și curățați iarbă de pe axul motorului și capul trimmerului.</li> <li>■ Scoateți capul trimmerului din iarbă. Motorul își va reveni imediat ce sarcina este îndepărtată. Când tăiați, deplasați capul trimmerului în iarbă și în afara ei pentru a o tăia și îndepărtați maxim 20cm de lungime dintr-o tăiere.</li> <li>■ Lăsați setul de acumulatori sau trimmerul cu fir să se răcească până când temperatura scade sub 67°C.</li> <li>■ Reinstalați setul de acumulatori.</li> <li>■ Încărcați setul de acumulatori.</li> </ul>

RO

PROBLEMĂ	CAUZĂ	SOLUȚIE
Capul trimmerului nu mai avansează fir.	<ul style="list-style-type: none"> <li>■ Axul motorului sau capul trimmerului este blocat cu iarbă.</li> <li>■ Pe bobină nu mai este suficient fir.</li> <li>■ Capul trimmerului este murdar.</li> <li>■ Firul este încurcat pe bobină.</li> <li>■ Firul este prea scurt.</li> </ul>	<ul style="list-style-type: none"> <li>■ Opriți trimmerul, îndepărtați acumulatorul și curățați iarbă de pe axul motorului și capul trimmerului.</li> <li>■ Îndepărtați acumulatorul și înlocuiți firul de tăiere; respectați instrucțiunile din capitolul „ÎNLOCUIREA FIRULUI” din acest manual.</li> <li>■ Îndepărtați acumulatorul și curățați capul trimmerului.</li> <li>■ Îndepărtați acumulatorul, îndepărtați firul de pe capul trimmerului și reînfașurați-l; respectați instrucțiunile din capitolul „REÎNCĂRCAREA FIRULUI DE TĂIERE” din acest manual.</li> <li>■ Îndepărtați acumulatorul și scoateți firele manual în timp ce apăsați alternativ în jos și eliberați capul trimmerului.</li> </ul>
Iarbă înfașurată în jurul capului trimmerului și al carcasei motorului.	<ul style="list-style-type: none"> <li>■ Se taie iarbă înaltă la nivelul solului.</li> </ul>	<ul style="list-style-type: none"> <li>■ Tăiați iarbă înaltă de sus în jos, îndepărtând maxim 20cm cu fiecare tăiere pentru a preveni înfașurarea.</li> </ul>
Fisuri pe capul trimmerului sau ansamblul capacului inferior se desprinde de capacul superior.	<ul style="list-style-type: none"> <li>■ Capul trimmerului este uzat.</li> </ul>	<ul style="list-style-type: none"> <li>■ Înlocuiți imediat capul trimmerului, iar operația trebuie efectuată de un tehnician de service calificat.</li> </ul>

## GARANȚIE

### POLITICA PRIVIND GARAȚIA EGO

Vă rugăm să consultați site-ul [egopowerplus.eu](http://egopowerplus.eu) pentru termenii și condițiile complete ale politicii privind garanția EGO.

## PREBERITE VSA NAVODILA!



**PREBERITE PRIROČNIK Z NAVODILI ZA UPORABO**



Varnostno opozorilo



Nosite zaščito za oči.



Ne uporabite kovinskih rezil



Razdalja med napravo in drugimi prisotnimi ljudmi mora biti najmanj 15 m.



Premer nitke – premer najlonske nitke



Ta izdelek je skladen z veljavnimi direktivami ES.

**SL**



Odpadnih električnih izdelkov ne odlagajte med gospodinjske odpadke. Odnosite jih v pooblaščen obrat za recikliranje.

V Napetost

.../min Na minuto

kg Kilogram

## VARNOSTNI SIMBOLI



**OPOZORILO:** delovanje katerega koli električnega orodja lahko povzroči metanje tujkov v vaše oči, kar lahko povzroči resne poškodbe očesa. Pred začetkom dela z električnim orodjem vedno nosite zaščitna očala ali varnostna očala s stranskimi zaščitami in po potrebi tudi ščit za celoten obraz. Priporočamo vam uporabo varnostne maske Wide Vision Safety Mask za uporabo preko očal ali standardnih varnostnih očal s stransko zaščito..



Uporabniški priročnik morate prebrati in razumeti.



Nosite zaščito za ušesa.



Pazite na vržene predmete.



Pred vzdrževalnimi deli odklopite baterijo.



Širina košnje – največja širina košnje kosilnice z nitko



Ta izdelek je v skladu z veljavno zakonodajo Združenega kraljestva.



Zagotovljena raven zvočne moči Emisije hrupa v okolico so v skladu z direktivo Evropske skupnosti.

$n_0$

Hitrost brez obremenitve – vrtilna hitrost brez obremenitve



Enosmerni tok

IPX4

Zaščita pred pljuskami vode

## TEHNIČNI PODATKI

	Glava kosilnice	3-zobo rezilo
Napetost	56 V ---	56 V ---
Priporočena delovna temperatura:	Od 0°C do 40°C	
Priporočena temperatura za shranjevanje:	Od -20°C do 70°C	
Optimalna temperatura polnjenja	Od 5°C do 40°C	
Hitrost brez obremenitve	5000/6000 min <sup>-1</sup>	5000/6000 min <sup>-1</sup>
Vrsta nitke za košnjo	2,4 mm	/
Rezilo	/	ABB1203
Širina košnje	38 cm	30cm
Teža (brez akumulatorja)	4,21 kg	4,45 kg
Izmerjena raven zvočne moči L <sub>WA</sub>	94,6 dB(A) K=1,8 dB(A)	96,5 dB(A) K=1,88 dB(A)
Raven zvočnega tlaka v ušesu upravljavca L <sub>PA</sub>	81,7 dB(A) K=2,5 dB(A)	76,5 dB(A) K=3 dB(A)
Zajamčena raven zvočnega tlaka L <sub>WA</sub> (v skladu z direktivo 2000/14/ES)	96 dB(A)	98 dB(A)
Vibration a <sub>h</sub>	Sprednji ročaj za prijem	3,2 m/s <sup>2</sup> K=1,5 m/s <sup>2</sup>
	Zadnji ročaj	2,3 m/s <sup>2</sup> K=1,5 m/s <sup>2</sup>
		2,8 m/s <sup>2</sup> K=1,5 m/s <sup>2</sup>
		3,1 m/s <sup>2</sup> K=1,5 m/s <sup>2</sup>

- Nazivna skupna vrednost tresljajev je bila izmerjena v skladu s standardno preskusno metodo in jo je mogoče uporabiti za primerjavo enega orodja z drugim.
- Nazivno skupno vrednost tresljajev je mogoče uporabiti tudi za predhodno oceno izpostavljenosti.

**OPOMBA:** oddajanje tresljajev med dejansko uporabo električnega orodja se lahko razlikuje od nazivne vrednosti, v kateri se uporablja orodje. Upravljevec se lahko zaščiti tako, da uporablja rokavice in naušnike, primere dejanskim pogojem uporabe.

## OPIS

### SPOZNAJTE SVOJO KOSILNICO Z NITKO (slika A1)

1. Mejni obroč
2. Sprožilec

3. Zadnji ročaj
4. Dovod zraka
5. Gumb za odklepanje
6. Stikalo za preklop hitrosti
7. Držalo ramenskega pasu
8. Nastavljiv sprednji ročaj za prijem
9. Ramenski pas
10. Večnamenski ključ
11. Imbusni ključ
12. Glava kosilnice (udarna glava)
13. Nitka za košnjo
14. Jeziček za sprostitvev
15. Rezilo nitke za košnjo
16. Varovalo
17. Mehanizem za izmet
18. Električni kontakti
19. Zapah
20. Zaščitna gumijasta blazinicca
21. Gumb za sprostitvev akumulatorja
22. Varnostni pregradni drog (samo za glavo motorne kose)
23. Pritrdilni drog za varnostni pregradni drog (samo za glavo motorne kose)
24. Zunanja prirobnica (samo za glavo motorne kose)
25. Matica (samo za glavo motorne kose)
26. Vijaki (samo za glavo motorne kose)

**SL**

## VSEBINA PAKETA

IME DELA	KOLIČINA
Kosilnica z nitko	1
Varovalo	1
Sklop sprednjega ročaja za prijem	1
Imbusni ključ	1
Večnamenski ključ	1
Ramenski pas	1
Priročnik z navodili za uporabo	1
Pritrdilni drog	1
Zunanja prirobnica	1
Matica	1
Vijak	2

## SESTAVLJANJE

**⚠ OPOZORILO:** Če so deli poškodovani ali manjkajo, orodja ne uporabljajte, dokler ne zamenjate delov. Če ta izdelek uporabljate s poškodovanimi ali manjkajočimi deli, lahko pride do hudih telesnih poškodb.

**⚠ OPOZORILO:** Tega orodja ne poskušajte spreminjati in ne poskušajte izdelovati dodatkov, ki niso primerni za uporabo s to kosilnico z nitko. Vsako tako spreminjanje ali predelava se šteje za napačno uporabo in povzroči tveganja, ki lahko povzročijo hude telesne poškodbe.

**⚠ OPOZORILO:** Pri nameščanju delov vedno odstranite baterijski sklop, da preprečite nenamerni zagon, ki bi lahko povzročil resno telesno poškodbo.

**⚠ OPOZORILO:** Kadar je stroj opremljen z glavo obrezovalnika grmičevja, mora biti nameščen varnostni pregradni drog.

### NAMEŠČANJE VAROVALA

**⚠ OPOZORILO:** Pri montaži ali zamenjavi ščitnika vedno nosite rokavice. Bodite pozorni na rezilo na ščitniku in zaščitite dlan, da se ne poškodujete.

**⚠ OPOZORILO:** Stroja nikoli ne upravljajte brez ščitnika, varno pritrjenega na mestu. Ščitnik mora biti vedno pritrjen na orodju za zaščito uporabnika! Ko je ščitnik pritrjen, ga ne poskušajte odstraniti ali prilagoditi. Če ga morate zamenjati, naj delo izvede kvalificiran serviser!

1. Na ščitniku odvijte in odstranite dva vijaka (slika B).
2. Odprtine za montažo varovala poravnajte z odprtinami sklopa in nato varovalo zaklenite na podnožje gredi z dvema vijakoma in z dvema vzmetnima podložkama (slika C).

**OPOMBA:** prepričajte se, da je ščitnik pritrjen v skladu s slikama B in C. Kakršna koli drugačna namestitvev bo povzročila veliko nevarnost!

### MONTAŽA IN PRILAGAJANJE SPREDNJEGA ROČAJA ZA PRIJEM

1. Sprostite pritrilni drog na sprednjem ročaju za prijem ter odstranite pritrilni drog in krilno matico s sprednjega ročaja za prijem (slika D).

**OPOMBA:** na krožni ročaj s pomočjo dveh vijakov namestite sklop varnostnega pregradnega droga, kadar je orodje opremljeno z glavo motorne kose.

**OPOMBA:** obstajata dve vrsti pritrilnega droga, krajši je namenjen za uporabo z glavo kosilnice z nitko. Daljši je

namenjen uporabi z glavo motorne kose. Pri uporabi orodja pazite, da boste izbrali pravi pritrilni drog.

D-1	Sprednji ročaj za prijem	D-4	Varnostni pregradni drog (samo za glavo motorne kose)
D-2	Pritrdilni blok	D-5	Pritrdilni drog
D-3	Krilna matica		

2. Krožni ročaj potisnite na gred na sprednji strani mejnega obroča. Nikoli ga ne namestite med mejni obroč in območje zadnjega ročaja (slika E).
3. Vstavite pritrilni blok v režo ročaja (slika F).
4. Namestite pritrilni drog in ga privijte s krilno matico. Preverite, ali je nastavljen sprednji ročaj za prijem obrnjen navzgor v smeri zgornjega dela zadnjega ročaja (slika G).
5. Sprednji ročaj za prijem namestite med mejni obroč in oznako tako, da bo vaša sprednja roka med delom iztegnjena (slika H).
6. Zaklenite ročico pritrilnega droga. (Slika I).

**⚠ OPOZORILO:** orodja ni mogoče uporabiti, če sprednji ročaj za prijem ni dobro pritrjen.

### NAMEŠČANJE RAMENSKEGA PASU

Za varno in boljše delovanje namestite pas čez eno od ramen in čez hrbet.

1. Pritisnite kavelj pasu, da ga odprete, in ga pričvrstite na držalo ramenskega pasu (slika J).
2. Prilagodite dolžino ramenskega pasu in ga namestite do udobnega položaja za upravljanje. Pridržite obrezovalnik z obema rokama: eno roko imejte na zadnjem ročaju, drugo pa na sprednjem.

**⚠ OPOZORILO:** V nujnih primerih ga nemudoma snemite z rame, ne glede na to, kako je vstavljen.

Istočasno ne smete uporabljati enojnega in dvojnega ramenskega pasu.

Pri nošenju pasu noben drug nosilec ne sme ovirati sproščanja in odstranjevanja pasu.

## UPRAVLJANJE

**⚠ OPOZORILO:** poleg zaščite za sluh vedno uporabljajte tudi zaščitna očala ali varnostna očala s stranskim varovalom. Če jih ne boste uporabili, bi lahko prišlo do resnih poškodb zaradi predmetov, ki bi prileteli v oči in drugih resnih poškodb.

Ta izdelek lahko uporabljate za naslednje namene:



**Obrezovanje:** uporablja se za odstranjevanje trave in plevela ob stenah, ograjah, drevesih in mejah.

**Košnja:** uporablja se za košnjo trave, ki jo je z običajno kosilnico težko doseči.

**OPOMBA:** orodje lahko uporabljate samo za predvideni namen. Kakršna koli druga uporaba, kot je obrezovanje robov, velja za nepravilno uporabo.

## PRIKLJUČITEV/ODKLOP BATERIJSKEGA SKLOPA

Napravo uporabljajte le z akumulatorskimi baterijami in polnilniki, navedenimi v sliki A2.

**Pred prvo uporabo popolnoma napolnite baterijski sklop**

### Napotki za priključitev

Rebra baterije poravnajte z režami za namestitev in baterijski sklop potisnite navzdol, da zaslišite »klik« (slika K).

### Napotki za odklop

Pritisnite gumb za sprostitev baterije in izvlecite baterijski sklop, kot prikazuje slika L.

L-1	Gumb za sprostitev baterije
-----	-----------------------------

## DRŽANJE KOSILNICE Z NITKO

Za varno in boljše delovanje si preko rame nadenite ramenski pas, kot je prikazano na sliki N. Ramenski pas nastavite v udoben položaj za upravljanje. Kosilnico z nitko držite z obema rokama: z eno roko držite zadnji ročaj, z drugo pa sprednji ročaj za prijem.

**OPOMBA:** Glava kosilnice z nitko je vzporedna s tlemi na primerni razdalji za košnjo, pri čemer se upravljavec ne sklanja preko kosilnice (slika N).

Obstajata dva načina za sprostitev pasu. Neposredno ga snemite z ramena (slika O) ali pa pritisnite kavelj pasu in ga odstranite od držala ramenskega pasu, ki je pritrjen na gred (slika P).

**⚠ OPOZORILO:** Ramenski pas je tudi hiter mehanizem za sprostitev v nevarnih situacijah. V nujnih primerih ga nemudoma snemite z rame, ne glede na to, kako je vstavljen.

## ZAGON/ZAUSTAVITEV KOSILNICE Z NITKO (slika M)

### Zagon

Vzvod za odklepanje pritisnite navzdol, nato pritisnite sprožilec. Drugačen pritisk na sprožilcu se odrazi v spremenljivi hitrosti vrtenja nitke za košnjo. Močnejši pritisk pomeni višjo hitrost.

### Zaustavitev

sprostite sprožilec.

**OPOMBA:** motor teče le, kadar pritisnete na gumb za odklepanje in sprožilec.

## Funkcija prilagoditve hitrosti (slika M)

Kosilnica z nitko ima dve hitrosti. Položaj »1« je za nizko hitrost, položaj »2« pa za visoko hitrost.

M-1	Stikalo za preklop hitrosti
M-2	Gumb za odklepanje
M-3	Sprožilec

## UPORABA KOSILNICE Z NITKO

Pred vsako uporabo počistite območje košnje. Odstranite vse predmete, kot so kamni, zdrobljeno steklo, žebliji, žica ali vrvi, ki jih lahko vrže ali se zapletejo v priključek za košnjo. Na območju naj ne bo otrok, opazovalcev in hišnih ljubljencev. Otroci, opazovalci in hišni ljubljenci naj bodo oddaljeni vsaj 15 m. Še vedno lahko obstaja nevarnost letečih predmetov za opazovalce. Prisotni naj uporabljajo tudi zaščito za oči. Če se vam nekdo približa, takoj ustavite motor in priključek za košnjo.

## Pred vsako uporabo napravo preglejte za poškodovane/obrabljene dele.

Preglejte udarno glavo, ščitnik in sprednji ročaj za prijem ter zamenjajte dele, ki so razpokani, zviti, upognjeni ali kakor koli poškodovani.

Rezilo z nitko na robu ščitnika lahko sčasoma postane topo. Priporočljivo je, da ga redno ostrite s pilo ali ga zamenjate z novim rezilom.

**⚠ OPOZORILO:** Pri ostrenju ali zamenjavi rezila nitke za košnjo vedno nosite rokavice. Bodite pozorni na položaj rezila na ščitniku in zaščitite dlan, da se ne poškodujete.

## Preverite blokado glave kosilnice

- Da preprečite blokado, naj bo glava kosilnice čista. Pred in po vsaki uporabi odstranite pokošeno travo, listje, umazanijo in druge nakopičene ostanke.
- Ko pride do blokade, ustavite kosilnico z nitko in odstranite baterijo, nato odstranite travo, ki se je morda zavila okoli gredi motorja ali glave kosilnice.

## Kosilnico z nitko po vsaki uporabi očistite.

## PRILAGAJANJE DOLŽINE NITKE

Glava kosilnice z nitko upravljavcu omogoča sprostitev več nitke za košnjo brez zaustavitve motorja. Ko se nitka scefra ali obrabi, lahko sprostite dodatno nitko tako, da narahlo potolčete z glavo kosilnice ob tla med delovanjem kosilnice

(slika Q).

**OPOMBA:** ko bo nitka postala krajša, bo sproščanje nitke postalo težje.

**⚠ OPOZORILO:** sklopa rezila ne odstranjujte ali spreminjajte. Prevelika dolžina nitke bo povzročila pregrevanje motorja in lahko povzroči resno telesno poškodbo.

## ZAMENJAVA NITKE

**OPOMBA:** vedno uporabljajte priporočeno najlonsko nitko za košnjo s premerom, ki ni večji od 2,4 mm. Uporaba drugačne nitke lahko povzroči pregrete ali poškodbe kosilnice z nitko.

**⚠ OPOZORILO:** nikoli ne uporabljajte nitke s kovinsko ojačitvijo, žice, vrvi itd. Lahko se odtrgajo in postanejo nevarne.

1. Odstranite akumulator.
2. Če je treba, odstranite preostalo nitko za košnjo.
3. Odrežite 4 metre dolgo nitko za rezanje in jo vstavite v odprtino za namestitev v vstavitveni odprtini (slika R). Potisnite in na drugi strani povlecite nitko ven, tako da bosta na obeh straneh vretena enaki dolžini nitke.
4. Pritisnite, hkrati pa vrčite spodnji sklop pokrova v smeri puščice, da nitko navijete na vreteno in je na vsaki strani vretena približno 14 cm nitke (slika S).
5. Sklop spodnjega pokrova potiskajte navzdol, medtem ko ročno vlečete nitko za ročno namestitev nitke, in da preverite pravilno namestitev glave kosilnice z nitko.

Če se nitka za košnjo odloži iz izhoda za nitko ali če se nitka ne sprosti, ko potolčete glavo kosilnice z nitko, sledite spodnjim korakom:

1. Pritisnite jezičke za sprostitve zgornjega pokrova in odstranite spodnji sklop pokrova tako, da ga izvlečete naravnost ven (sliki T in U).
2. Nitko za košnjo odstranite z vretena.
3. Z eno roko pridržite spodnji sklop pokrova, z drugo roko pa primate spodnji sklop pokrova in poravnajte zaklepe na zgornjem pokrovu z odprtinami v spodnjem sklopu pokrova (slika V). Z dlanjo pritisnite na spodnji sklop pokrova, da se zaklepi zaklenejo z zgornjim pokrovom.
4. Za ponovno namestitev nitke za košnjo sledite navodilom v razdelku »ZAMENJAVA NITKE«.

## ZAMENJAVA 3-ZOBEGA REZILA

**OPOMBA:** Pred kakršnim koli delom s 3-zobim rezilom si morate nadeti zaščitne rokavice, da se zaščitite pred telesnimi poškodbami.

1. Odstranite sklop spodnjega pokrova, kot je prikazano na slikah T in U.
2. Vstavite stabilizator in nato z udarnim nasadnim ključem odvijte matico, kot je prikazano na slikah X1 in X2.
3. Odstranite vse dele, razen notranje prirobnice in matice (slika X3) in namestite rezilo na gred motorja, kot je prikazano na sliki X4.
4. Privijte vijak rezila, kot je prikazano na sliki X5.

**⚠ OPOZORILO:** Med košnjo mladih poganjkov ali drugih olesenelih rastlin s premerom do 2 cm uporabite levo stran rezila, da se izognete morebitnim sunkom rezila. Ne poskušajte kositi olesenega materiala z večjim premerom, saj se lahko rezilo zatakne ali pa motorno koso sune naprej. To lahko povzroči poškodbe rezila ali obrezovalnika grmičevja ali izgubo nadzora nad obrezovalnikom grmičevja in posledično vpliva na telesne poškodbe.

**OPOMBA:** Redno obnavljajte ostrino rezila (ko je to opazno topo) in ga po potrebi uravnajte (to mora izvesti usposobljen servisni tehnik).

## VZDRŽEVANJE

**⚠ OPOZORILO:** za popravila uporabljajte le identične nadomestne dele. Stroj redno pregledujte in vzdržujte. Za zagotovitev varnosti in zanesljivosti mora vsa popravila izvesti usposobljen serviser.

**⚠ OPOZORILO:** Da preprečite resno telesno poškodbo, pred servisiranjem, čiščenjem, zamenjavo priključkov ali odstranjevanjem materiala iz enote odstranite baterijski sklop iz orodja.

**⚠ POZOR:** Če bodo na zračnih odprtinah ovire, bodo te ovirale tok zraka v ohišje motorja, kar bo privedlo do pregrevanja ali poškodbe motorja.

## ČIŠČENJE ENOTE

- Enoto očistite z vlažno krpo in blagim detergentom. Ne dovolite, da bi tekočina vstopila v orodje. Nobenega dela orodja nikoli ne potopite v katero koli tekočino.
- Za čiščenje plastičnega ohišja ali ročaja ne uporabljajte močnih čistilnih sredstev. Poškodujejo jih lahko določena aromatična olja, kot sta olje bora in limone, ter topila, kot je kerozin. Vlaga prav tako lahko ustvari nevarnost električnega udara. Vlago obrišite z mehko in suho krpo.
- Zračne odprtine v zadnjem delu ohišja očistite z majhno krtačo ali s krtačno majhnega sesalnika.

- Poskrbite, da bodo zračne odprtine motorja vedno prosto prehodne.

### MAZANJE ZOBNIKOV

Zobnike v ohišju je treba redno mazati z mazivom za zobnike. Približno vsakih 50 ur delovanja preverite raven maziva tako, da odstranite tesnilni vijak ob strani ohišja.

Če ob strani zobnikov ne vidite maziva, sledite spodnjim korakom in ohišje napolnite z mazivom do 3/4 prostornine. Zobnikov ne napolnite povsem.

1. Kosilnico z nitko obrnite na stran tako, da je tesnilni vijak obrnjen navzgor (slika W).
2. S priloženim večnamenskim ključem odvijte tesnilni vijak in ga odstranite.
3. Z brizgalko za mazivo (ni priložena) vbrizgajte nekaj maziva v luknjo vijaka. Ne napolnite več kot 3/4 prostornine.
4. Po vbrizganju privijte tesnilni vijak.

### SHRANJEVANJE ENOTE

- Ko kosilnice z nitko ne uporabljajte, odstranite akumulator.
- Orodje pred shranjevanjem temeljito očistite.
- Enoto shranjujte v suhem in dobro zračenem prostoru, ki ga je mogoče zakleniti ali je dvignjen, da ne bo na dosegu otrok. Enote ne shranjujte na ali v bližini gnojil, bencina ali drugih kemikalij.
- Med prevozom in shranjevanjem naj bo na 3-zobem rezilu nameščena zaščita.

SL

### Varovanje okolja



Električne opreme, iztrošene baterije in polnilnika ne odvrzite med gospodinjne odpadke. Izdelek odnesite na pooblaščen obrat za recikliranje in ga zavrzite ločeno. Električna orodja je treba odnesti na obrat za recikliranje in ga reciklirati na okolju prijazen način.

## ODPRAVLJANJE TEŽAV

TEŽAVA	VZROK	REŠITEV
Kosilnice z nitko ni mogoče zagnati.	<ul style="list-style-type: none"> <li>■ Akumulator ni nameščen v kosilnici z nitko.</li> <li>■ Med kosilnico z nitko in baterijo ni električnega stika.</li> <li>■ Akumulator je izpraznjen.</li> <li>■ Gumb za odklepanje in sprožilec nista pritisnjena hkrati.</li> </ul>	<ul style="list-style-type: none"> <li>■ Namestite akumulator v kosilnico z nitko.</li> <li>■ Odstranite baterijo, preverite kontakte in znova namestite akumulator.</li> <li>■ Napolnite akumulator.</li> <li>■ Gumb za odklepanje pritisnite navzdol in ga pridržite, nato pritisnite sprožilec, da vključite kosilnico z nitko.</li> </ul>
Kosilnica z nitko se med košnjo ustavi.	<ul style="list-style-type: none"> <li>■ Ščitnik ni nameščen na kosilnici z nitko, zato prihaja do predolge nitke za košnjo predolga in do preobremenjenosti motorja.</li> <li>■ Uporabljena je debela nitka za košnjo.</li> <li>■ Okoli gredi motorja ali glave kosilnice z nitko je ovita trava.</li> <li>■ Motor je preobremenjen.</li> <li>■ Akumulator ali kosilnica z nitko meje je prevroča.</li> <li>■ Akumulator ni povezan z orodjem.</li> <li>■ Akumulator je izpraznjen.</li> </ul>	<ul style="list-style-type: none"> <li>■ Odstranite akumulator in pritrdite ščitnik na kosilnico z nitko.</li> <li>■ Uporabljajte priporočeno najlonsko nitko za košnjo s premerom, ki ni večji od 2,4 mm.</li> <li>■ Zaustavite kosilnico z nitko, odstranite akumulator, nato pa odstranite travo z gredi motorja in glave kosilnice z nitko.</li> <li>■ Odstranite glavo kosilnice z nitko iz trave. Motor bo zopet deloval, ko boste odpravili obremenitev. Med košnjo glavo kosilnice z nitko pomikajte v travo in iz nje ter z enim rezom ne odstranite več kot 20 cm dolžine.</li> <li>■ Akumulator ali kosilnico z nitko ohladite do temperature, ki je nižja od 67°C.</li> <li>■ Ponovno namestite akumulator.</li> <li>■ Napolnite akumulator.</li> </ul>

SL

TEŽAVA	VZROK	REŠITEV
Glava kosilnice z nitko ne podaja nitke.	<ul style="list-style-type: none"> <li>■ Okoli gredi motorja ali glave kosilnice z nitko je ovita trava.</li> <li>■ Na vretenu ni dovolj nitke.</li> <li>■ Glava kosilnice z nitko je umazana.</li> <li>■ Nitka je zavozlana na vretenu.</li> <li>■ Nitka je prekratka.</li> </ul>	<ul style="list-style-type: none"> <li>■ Zaustavite kosilnico z nitko, odstranite akumulator, nato pa očistite gred motorja in glavo kosilnice z nitko.</li> <li>■ Odstranite akumulator in zamenjajte nitko za košnjo. Upoštevajte navodila v razdelku »ZAMENJAVA NITKE« v tem priročniku.</li> <li>■ Odstranite akumulator in očistite glavo kosilnice z nitko.</li> <li>■ Odstranite akumulator, odstranite nitko iz glave kosilnice z nitko in jo znova navijte. Upoštevajte navodila v razdelku »VNOVIČNO NAVIJANJE NITKE ZA KOŠNJO« v tem priročniku.</li> <li>■ Odstranite akumulator in ročno povlecite nitko, medtem ko izmenično pritiskate in sproščate glavo obrezovalnika.</li> </ul>
Trava se ovije okoli glave kosilnice in ohišja motorja.	<ul style="list-style-type: none"> <li>■ Košnja visoke trave pri tleh.</li> </ul>	<ul style="list-style-type: none"> <li>■ Visoko travo kosite z vrha navzdol in je naenkrat ne pokosite več kot 20 cm, da preprečite ovijanje.</li> </ul>
Razpoke na glavi kosilnice ali pa se spodnji sklop pokrova loči od zgornjega pokrova.	<ul style="list-style-type: none"> <li>■ Glava kosilnice z nitko je izrabljena.</li> </ul>	<ul style="list-style-type: none"> <li>■ Glavo kosilnice z nitko naj nemudoma zamenja kvalificiran serviser.</li> </ul>

## GARANCIJA

### GARANCIJSKA POLITIKA DRUŽBE EGO

Za popolne pogoje garancijske politike družbe EGO obiščite spletno mesto [egopowerplus.eu](http://egopowerplus.eu).

SL

## PERSKAITYKITE VISĄ INSTRUKCIJĄ!



PERSKAITYKITE NAUDOJIMO INSTRUKCIJĄ



Įspėjimas dėl saugos



Užsidėti apsauginius akinius



Nenaudokite metalinių geležčių



Visi pašaliniai asmenys nuo įrenginio turi būti atsitraukę ne mažesniu kaip 15 m atstumu



Lynelio skersmuo: nailoninio pjovimo lynelio skersmuo.



Šis gaminytis atitinka taikomas EB direktyvas.



Netinkamus naudoti elektros prietaisus draudžiama išmesti kartu su buitinėmis atliekomis. Pristatyti įgaliotam perdirbėjui.

LT

V Įtampa

.../min Per minutę

kg Kilogramai

## SAUGOS SIMBOLIAI



**ĮSPĖJIMAS:** Bet koks elektrinis įrankis naudojimo metu gali išsviesti šiukšles, kurios gali pataikyti į akis ir sunkiai jas sužaloti. Prieš pradėdami naudoti elektrinį įrankį, visada užsidėkite apsauginius akinius arba apsauginius akinius su šonine apsauga ir, jei reikia, visą veidą dengiantį skydelį. Rekomenduojame naudoti platų matymo lauką užtikrinančią apsauginę kaukę, dedamą ant akinių, arba standartinius apsauginius akinius su šonine apsauga.



Perskaityti ir suprasti naudotojo instrukciją



Užsidėti klausos apsaugos priemonę



Saugotis išsviestų daiktų



Prieš vykdant technines priežiūros darbus atjungti bateriją



Pjovimo plotis: didžiausias žolapjovės pjovimo plotis



Šis gaminytis atitinka jam taikomus JK reglamentus.



Garantuojamas garso galios lygis. Triukšmo sklaida į aplinką atitinka Europos Bendrijos direktyvą.

$n_0$

Sukimosi greitis tuščiaja eiga: sukimosi greitis be apkrovos



Nuolatinė srovė

IPX4

Apsauga nuo vandens pusrū

## TECHNINIAI DUOMENYS

	Žoliapjovės galvutė	Tridentis peilis	
Įtampa	56 V ---	56 V ---	
Rekomenduojama darbinė temperatūra:	0°C-40°C		
Rekomenduojama sandėliavimo temperatūra:	-20°C-70°C		
Optimali įkrovimo temperatūra	5°C-40°C		
Sūkiai be apkrovos	5000/6000 min <sup>-1</sup>	5000/6000 min <sup>-1</sup>	
Pjovimo lynelio tipas	2,4 mm	/	
Pjovimo peilis	/	ABB1203	
Pjovimo plotis	38 cm	30cm	
Svoris (be sudėtinės baterijos)	4,21 kg	4,45 kg	
Išmatuotas garso galios lygis L <sub>WA</sub>	94,6 dB(A) K=1,8 dB(A)	96,5 dB(A) K=1,88 dB(A)	
Garso slėgio lygis ties operatoriaus ausimi L <sub>PA</sub>	81,7 dB(A) K=2,5 dB(A)	76,5 dB(A) K=3 dB(A)	
Garantuojamas garso galios lygis L <sub>WA</sub> (pagal 2000/14/EB)	96 dB(A)	98 dB(A)	
Vibracija a <sub>h</sub>	Priekinė pagalbinė rankena	3,2 m/s <sup>2</sup> K=1,5 m/s <sup>2</sup>	2,8 m/s <sup>2</sup> K=1,5 m/s <sup>2</sup>
	Galinė rankena	2,3 m/s <sup>2</sup> K=1,5 m/s <sup>2</sup>	3,1 m/s <sup>2</sup> K=1,5 m/s <sup>2</sup>

- Nurodyta bendroji vibracijos vertė išmatuota taikant standartinį bandymo metodą, todėl pagal ją galima palyginti skirtingus įrankius.
- Nurodytą bendrąją vibracijos vertę taip pat galima naudoti pirminiam poveikio vertinimui.

**PASTABA:** Naudojant įrenginį realiomis sąlygomis, sklaidžiamos vibracijos stiprumo vertė gali skirtis nuo nurodytos. Kad apsaugotų dirbdamas realiomis sąlygomis, naudotojas turi mūvėti pirštines ir naudoti klausos apsaugos priemones.

## APRAŠYMAS

PAŽINKITE SAVO ŽOLIAPJOVĘ SU LYNELIU (A1 pav.)

1. Tarpinis žiedas
2. Jungiklis
3. Galinė rankena
4. Oro įsiurbimo anga
5. Blokuotės išjungiklis
6. Didelio ir mažo greičio jungiklis
7. Peties diržo pakaba
8. Reguliuojamoji priekinė pagalbinė rankena
9. Peties diržas
10. Universalus veržliaraktis
11. Šešiabriaunis raktas
12. Žoliapjovės galvutė (lynelis paduodamas stuktelėjus galvutę į žemę)
13. Pjovimo lynelis
14. Atlaisvinimo auselė
15. Pjovimo lynelio nukirtimo peilis
16. Apsauga
17. Išstūmimo mechanizmas
18. Elektros kontaktai
19. Fiksatorius
20. Apsauginė guminė trinkelė
21. Baterijos atjungimo mygtukas
22. Apsauginis ribotuvas (tik krūmapjovės galvutei)
23. Fiksavimo kaištis apsauginiam ribotuvui (tik krūmapjovės galvutei)
24. Išorinė jungė (tik krūmapjovės galvutei)
25. Veržlė (tik krūmapjovės galvutei)
26. Varžtai (tik krūmapjovės galvutei)

LT

## PAKUOTĖS TURINIO SĄRAŠAS

DALIES PAVADINIMAS	KIEKIS
Žoliapjovė su lyneliu	1
Apsauga	1
Priekinės pagalbinės rankenos blokas	1
Šešiabriaunis raktas	1
Universalus veržliaraktis	1
Peties diržas	1
Naudojimo instrukcija	1
Fiksavimo kaištis	1
Išorinė jungė	1
Veržlė	1

Varžtas	2
---------	---

## SURINKIMAS

**⚠️ ĮSPĖJIMAS:** Jei kurios nors dalys pažeistos arba jų nėra, nenaudokite šio gaminio tol, kol tos dalys nebus pakeistos. Naudojant gaminį su pažeistomis dalimis arba kai jų trūksta, galima sunkiai susižaloti.

**⚠️ ĮSPĖJIMAS:** Nebandykite keisti šio įrenginio konstrukcijos arba kurti priedus, kurių nerekomenduojama naudoti su šia žoliapjove su lyneliu. Visi tokie pakeitimai laikomi netinkamu naudojimu ir gali sukelti pavojingas situacijas, kurių metu galite sunkiai susižaloti.

**⚠️ ĮSPĖJIMAS:** Kad išvengtumėte atsitiktinio įrenginio paleidimo ir galimo sunkaus sužalojimo, surinkdami laikomi netinkamu naudojimu ir gali sukelti pavojingas situacijas, kurių metu galite sunkiai susižaloti.

**⚠️ ĮSPĖJIMAS:** Kai įrenginys naudojamas su krūmapjovės galvute, turi būti sumontuotas apsauginis ribotuvas.

## APSAUGOS MONTAVIMAS

**⚠️ ĮSPĖJIMAS:** Tvirtindami arba keisdami apsaugą būtinai mūvėkite pirštines. Saugokitės prie apsaugos pritvirtinto peilio ir saugokite rankas nuo įpojimo.

**⚠️ ĮSPĖJIMAS:** Niekada nenaudokite įrenginio be savo vietoje pritvirtintos apsaugos. Apsauga visada turi būti ant įrenginio, kad apsaugotų naudotoją! Po to, kai apsauga pritvirtinama, niekada nebandykite jos nuimti ar reguliuoti. Jeigu apsaugą reikia pakeisti, tai turi atlikti kvalifikuotas techninės priežiūros specialistas!

1. Išsukite abu apsaugos varžtus (B pav.).
2. Įtaikykite apsaugos tvirtinimo skyles į bloko skyles ir pritvirtinkite apsaugą prie veleno pagrindo dviem varžtais kartu su dviem spyruoklinėmis poveržlėmis (C pav.).

**PASTABA:** Apsauga turi būti pritvirtinta, kaip parodyta B ir C paveiksluose. Sumontavus atvirkščiai kyla didelis pavojus!

## PRIEKINĖS PAGALBINĖS RANKENOS MONTAVIMAS IR REGULIAVIMAS

1. Atsukite sparnuotąją veržlę nuo fiksavimo kaiščio ir ištraukite kaištį iš priekinės pagalbinės rankenos (D pav.).

**PASTABA:** Kai ant įrankio yra uždėta krūmapjovės galvutė, ant lenktos rankenos sumontuokite apsauginį ribotuvą.

**PASTABA:** yra dviejų rūšių fiksavimo kaiščiai. Trumpesnis yra skirtas žoliapjovės galvutei. Ilgesnis yra skirtas krūmapjovės galvutei. Būkite atidūs ir pasirinkite tinkamą fiksavimo kaištį.

D-1	Priekinė pagalbinė rankena	D-4	Apsauginis ribotuvas (tik krūmapjovės galvutei)
D-2	Fiksavimo kaladėlė	D-5	Fiksavimo kaištis
D-3	Sparnuotoji veržlė		

2. Užmaukite priekinę rankeną ant veleno priešais tarpinį žiedą. Niekada jos neuždėkite tarp tarpinio žiedo ir galinės rankenos (E pav.).
3. Įstatykite fiksavimo kaladėlę į rankenos angą (F pav.).
4. Įstatykite fiksavimo kaištį ir priveržkite jį sparnuotąja veržle. Priekinė pagalbinė rankena turi būti nukreipta į galinės rankenos viršutinę dalį (G pav.).
5. Sureguliuokite priekinę pagalbinę rankeną taip, kad ji būtų tarp tarpinio žiedo ir etiketės – taip užtikrinsite, kad dirbant jūsų priekinė ranka būtų tiesi (H pav.).
6. Užfiksuokite fiksavimo kaiščio svirtelę. (I pav.).

**⚠️ ĮSPĖJIMAS:** Šio įrankio negalima naudoti tinkamai nepritvirtinus priekinės pagalbinės rankenos.

## PETIES DIRŽO PRIKABINIMAS

Kad būtų saugu ir geriau dirbti, užsidėkite diržą ant vieno iš pečių ir perjuoskite per nugarą.

1. Spausdami atidarykite diržo kabliuką ir užkabinkite jį už peties diržo pakabos (J pav.).
2. Susireguliuokite peties diržo ilgį ir padėjtį, kad būtų patogus dirbti, ir laikykite žoliapjovę abiem rankomis: viena ranka suėmę už galinės rankenos, o kita – už priekinės rankenos.

**⚠️ ĮSPĖJIMAS:** Susidarius tokiai situacijai nedelsdami nusiimkite peties diržą, nepaisydami, kokioje padėtyje jis yra.

Vienu metu nenaudokite diržo ant vieno peties ir diržo ant abiejų pečių.

Užsidėjus peties diržą, joks kitas nešiojamas daiktas neturėtų trukdyti diržo atleidimui ir nuėmimui.

## NAUDOJIMAS

**⚠️ ĮSPĖJIMAS:** Kartu su apsauginėmis ausinėmis visada užsidėkite apsauginius akinius arba apsauginius



akinius su šoniniais skydeliais. Priešingu atveju veikiančio įrankio išsviestos šiukšlės gali pataikyti į akis arba kitaip sunkiai sužaloti.

Galite naudoti šį gaminį toliau išvardytais tikslais:

**Žolei šalia kliūčių pjauti:** nupjauti žolei ir piktžolėms prie sienų, tvorų, medžių ir šaligatvių bortelių.

**Žolei pjauti:** žolei pjauti vietoje, kurias sunku pasiekti naudojant įprastą vejąplovę.

**PASTABA:** Įrankį galima naudoti tik pagal numatytąją paskirtį. Naudojimas bet kokiais kitais paskirčiai, pvz., žolei pakraščiuose pjauti, laikomas netinkamu naudojimu.

## SUDĖTINĖS BATERIJOS ĮSTATYMAS IR IŠĖMIMAS

Naudokite tik su A2 pavoiksle nurodytomis sudėtinėmis baterijomis ir įkrovikliais.

Prieš naudodami pirmą kartą iki galo įkraukite.

### Įstatymas

Įtaikykite baterijos briaunas į tvirtinimo griovelius ir spauskite bateriją žemyn, kol išgirsite spragtelėjimą (K pav.).

### Išėmimas

Spauskite baterijos atkabrinimo mygtuką ir išimkite sudėtinę bateriją, kaip parodyta L paveiksle.

L-1	Baterijos atkabrinimo mygtukas
-----	--------------------------------

## ŽOLIAPJOVĖS SU LYNELIU LAIKYMAS

Norėdami saugiau ir geriau dirbti su įrankiu, užsidėkite ant peties diržą, kaip tai pavaizduota N paveiksle. Sureguliuokite peties diržą taip, kad būtų patogus pjauti. Žoliapjovė su lyneliu laikykite abiem rankomis: viena ranka laikykite galinę, o kita – priekinę pagalbinę rankeną.

**PASTABA:** Žoliapjovės galvutė atsiduria lygiagrečiai žemės paviršiui tinkamu pjovimo atstumu ir operatoriui nereikia lenktis į priekį (N pav.).

Diržą galite nusiimti dviem būdais. Nuimti tiesiai nuo paties (O pav.) arba nuspausti diržo kabliuko liežuvelį ir atkabinti nuo peties diržo pakabos, pritvirtintos ant veleno (P pav.).

**⚠️ ĮSPĖJIMAS:** Pavojojimoje situacijoje peties diržą galima nusiimti labai greitai. Susidarius pavojingai situacijai nedelsdami nusiimkite peties diržą, nepaisydami, kokioje padėtyje jis yra.

## ŽOLIAPJOVĖS PALEIDIMAS IR SUSTABDYMAS (M pav.)

### Paleidimas

Nuspauskite blokuotės išjungiklį, o tuomet nuspauskite

jungiklį. Skirtinga jėga spaudžiant jungiklį, keičiasi pjovimo lynelio sukimosi greitis. Stipresnis spaudimas – didesnis greitis.

### Sustabdymas

Atleiskite jungiklį.

**PASTABA:** VARIKLIS veikia tik tuomet, kai kartu paspausti blokuotės išjungiklis ir jungiklis.

### Greičio reguliavimo funkcija (M pav.)

Žoliapjovė su lyneliu dirba dviem greičiais. 1 padėtis – mažas greitis, 2 padėtis – didelis greitis.

M-1	Didelio ir mažo greičio jungiklis
M-2	Blokuotės išjungiklis
M-3	Jungiklis

## ŽOLIAPJOVĖS NAUDOJIMAS

Kaskart prieš naudodami išvalykite pjaunamą plotą. Pašalinkite visas kliūtis, pavyzdžiui, akmenukus, stiklo duženas, vinis, vielas ar laidus, t. y. šiukšles, kurias pjovimo įtaisais gali išsviesti į orą arba jose įsispainioti. Darbo zonoje neturi būti vaikų, pašalinių asmenų ir naminių gyvūnų. Vaikai, pašaliniai asmenys bei naminiai gyvūnai turi būti atitraukti ne mažesniu kaip 15 m atstumu; net ir tokiu atveju išlieka pavojus pašaliniams asmenims dėl išsviestų šiukšlių. Šalia esantys asmenys turi dėvėti akių apsaugą. Jeigu matote jūsų link artėjantį asmenį, nedelsdami išjunkite pjovimo įtaisą.

### Kaskart prieš naudodami įrankį patikrinkite, ar nėra pažeistų ir (ar) sudilusių dalių.

Apžiūrėkite pjovimo galvutę, apsaugą ir priekinę pagalbinę rankeną. Pakeiskite įtrūkusias, pakeitusias formą, sulinkusias arba bet kaip kitaip pažeistas dalis.

Lynelio nukirtimo peilis apsaugos pakraštyje laikui bėgant gali atšipti. Rekomenduojama reguliariai galąsti jį dilde arba pakeisti nauju.

**⚠️ ĮSPĖJIMAS:** Tvirtindami ar keisdami apsaugą arba galąsdami ar keisdami lynelio nukirtimo peilį būtinai mūvėkite pirštines. Nepamirškite, kurioje vietoje ant apsaugos yra peilis, ir saugokite rankas, kad neįsijautumėte.

### Žoliapjovės galvutės tikrinimas, ar neužsikimšo

- Kad neužsikimštų, žoliapjovės galvutė visada turi būti švari. Prieš ir po kiekvieno naudojimo pašalinkite nupjautą žolę, lapus, nešvarumus ir visas kitas susikaupusias šiukšles.

- Jei galvatė užsikemša, sustabdykite žoliapjovę su lyneliu ir išimkite bateriją, o po to pašalinkite visą aplink variklio veleną ar žoliapjovės galvatę apsvyniojusią žolę.

**Po kiekvieno naudojimo žoliapjovę išvalykite.**

## PJOVIMO LYNELIO ILGIO REGULIAVIMAS

Naudotojas gali pailginti žoliapjovės galvatės pjovimo lynelį nestabdydamas variklio. Pjovimo lyneliui atspurus ar sudilus, daugiau lynelio galima ištraukti nestipriai stuktelėjus žoliapjovės galvatę į žemės paviršių (Q pav.).

**PASTABA:** Kuo pjovimo lynelis trumpesnis, tuo sunkiau jį pailginti.

**⚠ ĮSPĖJIMAS:** Pjovimo lynelio nukirtimo peilio nenuimkite ir nekeiskite jo konstrukcijos. Jeigu lynelis per ilgas, gali perkaisti variklis ir galite sunkiai susižaloti.

## LYNELIO KEITIMAS

**PASTABA:** Visada naudokite rekomenduojamą pjovimo lynelį, kurio skersmuo neviršija 2,4 mm. Naudojant kitokį nei nurodyta pjovimą lynelį, žoliapjovė gali perkaisti arba sugesti.

**⚠ ĮSPĖJIMAS:** Niekada nenaudokite metalinio lynelio, vielos, trosu, ir pan. Jie gali nutūkti ir tapti pavojingomis skriejančiomis šiukšlėmis.

1. Išimkite sudėtinę bateriją.
2. Jei reikia, ištraukite likusį pjovimo lynelį.
3. Atpjaukite 4 m ilgio pjovimo lynelio atkarpą ir įkiškite į angą ašelėje (R pav.). Kiškite lynelį ir ištraukite kitoje pusėje; traukite, kol abiejose ritės pusėse bus vienodas lynelio ilgis.
4. Paspaudę ir sukdami rodyklės kryptimi apatinę gaubto dalį, suvyniokite lynelį ant ritės, kol abiejose pusėse liks maždaug po 14 cm lynelio (S pav.).
5. Norėdami ištraukti lynelį, paspauskite apatinę gaubto dalį ir rankomis ištraukite lynelio galus bei patikrinkite, ar tinkamai sumontuota žoliapjovės galvatė.

Kai pjovimo lynelis nutrūksta prie lynelio išleidimo angos arba nepailgėja stuktelėjus žoliapjovės galvatę į žemę, atlikite šiuos veiksmus:

1. Nuspauskite viršutinio gaubto atkabinimo auseles ir traukdami išimkite apatinę gaubto dalį (T ir U pav.).
2. Nuvyniokite pjovimo lynelį nuo ritės.
3. Viena ranka laikykite apatinę gaubto dalį, o kita suimkite apatinę gaubto konstrukciją ir įtaikykite viršutinio gaubto auseles į apatinio gaubto angas (V pav.); apatinę konstrukciją spauskite delnu, kol auselės užsifiksuos viršutiniame gaubte.

4. Norėdami pakeisti pjovimo lynelį, laikykitės skyriaus „LYNELIO KEITIMAS“ pateiktų nurodymų.

## TRIDANČIO PEILIO KEITIMAS

**PASTABA:** Užsidėkite pirštines, kad nesusižalotumėte, kai tvarkote trišakę geležtę.

1. Nuimkite apatinę gaubto konstrukciją, kaip parodyta T ir U paveiksluose.
2. Įstatykite stabdiklį ir smūginį veržliarakių atsukite veržlę (žr. X1 ir X2 paveikslus).
3. Nuimkite visas dalis, išskyrus vidinę jungę ir veržlę (X3 pav.), ir uždėkite peilį ant variklio veleno (X4 pav.).
4. Priveržkite peilį, kaip parodyta X5 pav.

**⚠ ĮSPĖJIMAS:** Pjaudami jaunuolynus ar kitus iki 2 cm skersmens sumedėjusius augalus, naudokite kairiąją geležtės pusę, kad išvengtumėte geležtės atatranks. Nebandykite pjauti didesnio skersmens sumedėjusiu augalų, nes geležtė gali įstrigti ar trūktelėti krūmapjovę pirmyn. Dėl to gali būti pažeista geležtė ar krūmapjovė arba galite krūmapjovės nesuvaldyti ir susižaloti.

**PASTABA:** Reguliariai galąskite geležtę (jai pastebimai atšipus) ir, jei reikia, subalansuokite (tai turi atlikti kvalifikuotas techninės priežiūros specialistas).

## TECHNINĖ PRIEŽIŪRA

**⚠ ĮSPĖJIMAS:** Atlikdami techninės priežiūros darbus, naudokite tik identišką atsarginę dalis. Įrenginį reguliariai tikrinkite ir techniškai prižiūrėkite. Norint užtikrinti saugumą ir patikimumą, visus remonto darbus turi atlikti kvalifikuotas techninės priežiūros specialistas.

**⚠ ĮSPĖJIMAS:** Kad išvengtumėte sunkaus susižalojimo, prieš atlikdami techninę priežiūrą, valydami žoliapjovę, keisdami priedus arba valydami žolės likučius, iš įrankio išimkite sudėtinę bateriją.

**⚠ DĖMESIO:** Ventilacinėse angose susikaupę šiukšlės trukdo orui patekti į variklio korpusą, dėl ko variklis gali perkaisti ar sugesti.

## ĮRANKIO VALYMAS

- Įrankį valykite mažos koncentracijos ploviklio tirpale suvilgyta šluoste. Niekada neleiskite jokiam skysčiui patekti į įrankio vidų; niekada nenardinkite jokios įrankio dalies į skystį.
- Plastikiniems korpuso arba rankenos dalims valyti nenaudokite jokių koncentruotų ploviklių. Aromatinės alyvos (pvz., pušies ar citrinų) ir tirpikliai, pvz., žibalas,

gali jas sugadinti. Drėgmė taip pat gali kelti elektros smūgio pavojų. Bet kokią drėgmę nusauskite minkštu sausu audeklu.

- Naudokite mažą šepetėlį arba mažą dulkių siurblio šepetėlį, kad išvalytumėte variklio korpuso ventiliacines angas.
- Variklio korpuso ventiliacinės angos visada turi būti neužkimštos.

### PAVAROS REDUKTORIAUS TEPIMAS

Reduktoriaus korpusė sumontuotus pavaros krumpliaračius būtina reguliariai tepti reduktorių tepalu. Tepalo lygį reduktoriaus korpusė tikrinkite maždaug kas 50 darbo valandų, išsukdami korpuso šone esantį sandarinimo varžtą.

Jei krumpliaračių šonuose nėra jokių tepalo požymių, pripilkite 3/4 talpos reduktorių tepalo pagal toliau pateiktus nurodymus: Visiškai nepripildykite pavaros reduktoriaus.

1. Paguldykite žoliapjovę ant šono taip, kad sandarinimo varžtas būtų nukreiptas į viršų (W pav.).
2. Pridedamu universaliu veržliarakčiu išsukite sandarinimo varžtą.
3. Tepalo švirkštu (nėra komplekte) į varžto angą įšvirkškite tepalo. Neviršykite 3/4 talpos.
4. Baigę užveržkite sandarinimo varžtą.

### ĮRENGINIO SANDĖLIAVIMAS

- Kai žoliapjovės su lyneliu nenaudojate, išimkite iš jos sudėtinę bateriją.
- Prieš sandėliavimą kruopščiai nuvalykite įrankį.
- Laikykite sausoje, gerai vėdinamoje, rakinamoje patalpoje arba aukštai, vaikams neprieinamoje vietoje. Nelaikykite įrankio ant arba šalia trašų, benzino arba kitų chemikalų.
- Įrenginį gabendami ar laikydami sandėlyje uždėkite ant jo trišakės geležtės dėklą.

### Aplinkos apsauga



Neišmeskite elektros įrangos, panaudotų baterijų ir įkroviklio kartu su buitinėmis atliekomis! Šias atliekas reikia pristatyti į jų surinkimo vietą ar įgaliotam perdirbėjui. Elektrinius įrankius reikia gražinti į atitinkamą perdirbimo įmonę.

## TRIKČIŲ DIAGNOSTIKA

PROBLEMA	PRIEŽASTIS	SPRENDIMAS
Žoliapjovės nepavyksta paleisti.	<ul style="list-style-type: none"> <li>■ Sudėtinė baterija neprijungta prie žoliapjovės.</li> <li>■ Nėra elektros kontakto tarp žoliapjovės ir baterijos.</li> <li>■ Sudėtinė baterija visiškai išsikrovusi.</li> <li>■ Vienu kartu nenuspaustas blokuotės išjungiklis ir jungiklis.</li> </ul>	<ul style="list-style-type: none"> <li>■ Prijunkite sudėtinę bateriją prie žoliapjovės.</li> <li>■ Išimkite sudėtinę bateriją, patikrinkite kontaktus ir vėl įstatykite sudėtinę bateriją.</li> <li>■ Įkraukite sudėtinę bateriją.</li> <li>■ Kad įjungtumėte žoliapjovę, paspauskite ir laikykite nuspaudę blokuotės išjungiklį, ir tuomet paspauskite jungiklį.</li> </ul>
Žoliapjovė sustoja pjovimo metu.	<ul style="list-style-type: none"> <li>■ Nepritvirtinta žoliapjovės apsauga, todėl per ilgą pjovimo lynelį sukelia variklio perkrovą.</li> <li>■ Naudojamas per sunkus pjovimo lynelis.</li> <li>■ Ant variklio veleno arba žoliapjovės galvutės apsivyniojusi žolė.</li> <li>■ Variklio perkrova.</li> <li>■ Sudėtinė baterija arba žoliapjovė yra per daug įkaitusi.</li> <li>■ Sudėtinė baterija atjungta nuo įrankio.</li> <li>■ Sudėtinė baterija visiškai išsikrovusi.</li> </ul>	<ul style="list-style-type: none"> <li>■ Išimkite sudėtinę bateriją ir pritvirtinkite žoliapjovės apsaugą.</li> <li>■ Naudokite rekomenduojamą pjovimo lynelį, kurio skersmuo neviršija 2,4 mm.</li> <li>■ Sustabdykite žoliapjovę, išimkite sudėtinę bateriją ir tuomet nuvalykite žolę nuo variklio veleno arba žoliapjovės galvutės.</li> <li>■ Nuvalykite žolę nuo žoliapjovės galvutės. Pašalinus apkrovą variklis pradės veikti kaip įprasta. Pjaudami judinkite pjovimo galvutę link ir nuo pjaunamos žolės, bei vienu kartu nenupjaukite daugiau kaip 20 cm žolės aukščio.</li> <li>■ Leiskite sudėtinei baterijai arba žoliapjovei atvėsti, kol temperatūra nukris žemiau 67°C.</li> <li>■ Vėl įdėkite sudėtinę bateriją.</li> <li>■ Įkraukite sudėtinę bateriją.</li> </ul>

LT

PROBLEMA	PRIEŽASTIS	SPRENDIMAS
Žoliapjovės galvutė nepaduoda pjovimo lynelio.	<ul style="list-style-type: none"> <li>■ Ant variklio veleno arba žoliapjovės galvutės apsidvyniojusi žolė.</li> <li>■ Ritėje nepakanka pjovimo lynelio.</li> <li>■ Purvina žoliapjovės galvutė.</li> <li>■ Lynelis ritėje susinarpliojo.</li> <li>■ Pjovimo lynelis per trumpas.</li> </ul>	<ul style="list-style-type: none"> <li>■ Sustabdykite žoliapjovę, išimkite bateriją ir tuomet nuvalykite variklio veleną ir žoliapjovės galvutę.</li> <li>■ Išimkite sudėtinę bateriją ir pakeiskite pjovimo lynelį; vadovaukitės šio vadovo skyriumi „LYNELIO KEITIMAS“.</li> <li>■ Išimkite bateriją ir išvalykite žoliapjovės galvutę.</li> <li>■ Išimkite bateriją, ištraukite lynelį iš žoliapjovės galvutės ir iš naujo pervyniokite; vadovaukitės šio vadovo skyriumi „LYNELIO KEITIMAS“.</li> <li>■ Išimkite bateriją ir rankomis ištraukite pjovimo lynelio galus, spaudžiodami ir atleisdami žoliapjovės galvutę.</li> </ul>
Žolė apsidvynioja aplink žoliapjovės galvutę ir variklio korpusą.	<ul style="list-style-type: none"> <li>■ Aukštą žolę pjaunate palei žemę.</li> </ul>	<ul style="list-style-type: none"> <li>■ Kad ant žoliapjovės galvutės neapsidvyniotų žolė, aukštą žolę pjaukite iš viršaus į apačią, vienu kartu nupjaudami ne daugiau kaip 20 cm jos aukščio.</li> </ul>
Žoliapjovės galvutės įtrūkimai arba apatinė gaubto dalis atsilaisvino nuo viršutinės gaubto dalies.	<ul style="list-style-type: none"> <li>■ Susidėvėjo žoliapjovės galvutė.</li> </ul>	<ul style="list-style-type: none"> <li>■ Nedelsdami pakeiskite žoliapjovės galvutę; darbus turi atlikti kvalifikuotas techninės priežiūros specialistas.</li> </ul>

## GARANTIJA

### EGO GARANTINĖ POLITIKA

Norėdami sužinoti visas EGO garantinės politikos sąlygas, apsilankykite interneto svetainėje [egopowerplus.eu](http://egopowerplus.eu).

LT

## IZLASIET VISUS NORĀDĪJUMUS!



IZLASIET LIETOTĀJA ROKASGRĀMATU



Drošības brīdinājums



Lietot acu aizsarglīdzekļus



Neizmantojiet metāla asmeņus



Attālumam starp iekārtu un tuvumā esošām personām jābūt vismaz 15 m.



Auklas diametrs. Neilona griezējauklas diametrs



Šis izstrādājums atbilst piemērojamām EK direktīvām.



Elektrisko izstrādājumu atkritumus nedrīkst izmest kopā ar sadzīves atkritumiem. Nogādājiet uz pilnvarotu pārstrādes punktu.

LV

V Spriegums

.../min Minūtē

kg Kilograms

## DROŠĪBAS SIMBOLI



**BRĪDINĀJUMS!** Jebkura elektroinstrumenta lietošanas laikā acīs var iekļūt svešķermeņi, kas var radīt smagu acu traumu. Pirms elektroinstrumenta ieslēgšanas vienmēr uzvelciet aizsargbrilles vai aizsargbrilles ar sānu aizsargiem un, ja nepieciešams, pilnu sejas aizsargmasku. Iesakām izmantot aizsargmasku ar plašu skata leņķi, ko uzvelk virs parastajām brillēm, vai arī standarta aizsargbrilles ar sānu aizsargiem.



Lai mazinātu traumu gūšanas bīstamību, lietotājam jāizlasa lietotāja rokasgrāmata.



Valkāt dzirdes aizsarglīdzekļus



Uzmanieties no atsviestiem priekšmetiem



Akumulators pirms apkopes darbu veikšanas ir jāatvieno



Griešanas platums: maksimālais auklas trimmera griešanas platums



Šis produkts atbilst spēkā esošajiem Apvienotās Karalistes tiesību aktiem.



Garantētais skaņas intensitātes līmenis. Trokšņa emisija vidē atbilstoši Eiropas Kopienas direktīvai.

$n_0$  Rotācijas ātrums bez slodzes brīvgaitā

≡ Līdzstrāva

IPX4 Aizsardzība pret ūdens šļakatām

## SPECIFIKĀCIJAS

	Trimmera galva	3 zobu asmens
Spriegums	56 V $\overline{\text{---}}$	56 V $\overline{\text{---}}$
Ieteicamā darba temperatūra:	0°C-40°C	
Ieteicamā uzglabāšanas temperatūra:	-20°C-70°C	
Optimālā uzlādes temperatūra	5°C-40°C	
Ātrums bez slodzes	5000/6000 min <sup>-1</sup>	5000/6000 min <sup>-1</sup>
Griezējauklas veids	2,4 mm	/
Griezējasmens	/	ABB1203
Griešanas platums	38 cm	30cm
Svars (bez akumulatoru bloka)	4,21 kg	4,45 kg
Izmērītais skaņas intensitātes līmenis L <sub>WA</sub>	94,6 dB(A) K=1,8 dB(A)	96,5 dB(A) K=1,88 dB(A)
Trokšņa spiediena līmenis pie lietotāja auss L <sub>PA</sub>	81,7 dB(A) K=2,5 dB(A)	76,5 dB(A) K=3 dB(A)
Garantētais skaņas intensitātes līmenis L <sub>WA</sub> (saskaņā ar 2000/14/EK)	96 dB(A)	98 dB(A)
Vibrācija a <sub>h</sub>	Priekšējais palīgrokturis	3,2 m/s <sup>2</sup> K=1,5 m/s <sup>2</sup>
	Aizmugurējais rokturis	2,3 m/s <sup>2</sup> K=1,5 m/s <sup>2</sup>
		2,8 m/s <sup>2</sup> K=1,5 m/s <sup>2</sup>
		3,1 m/s <sup>2</sup> K=1,5 m/s <sup>2</sup>

- Norādītā vibrāciju kopējā vērtība ir izmērīta saskaņā ar standartā pārbaudes metodi un var tikt izmantota, lai salīdzinātu vairākus instrumentus.
- Deklarēto vibrāciju emisijas vērtību var arī lietot iepriekšējai vibrāciju iedarbības novērtēšanai.

**PIEZĪME!** Vibrāciju emisijas faktiskajā elektroinstrumenta darbināšanas laikā var atšķirties no norādītās vērtības. Lai pasargātu operatoru, lietotājam jāvalkā cimdi un dzirdes aizsarglīdzekļi atbilstoši patiesajiem darba apstākļiem.

## APRAKSTS

### PĀRZINIET SAVU AUKLAS TRIMMERI (A1 att.)

1. Sliekšņvērtības gredzens
2. Ieslēgšanas slēdzis

3. Aizmugurējais rokturis
4. Gaisa ieplūde
5. Bloķēšanas poga
6. Augsta/zema ātruma pārslēgšanas slēdzis
7. Plecu siksnas piekare
8. Regulējams priekšējais palīgrokturis
9. Plecu sikсна
10. Daudzfunkciju uzgriežņu atslēga
11. Sešskaldņu uzgriežņu atslēga
12. Trimmera galva (piespiežamā galva)
13. Griešanas aukla
14. Atlaišanas izcilnis
15. Auklas griezējasmens
16. Aizsargs
17. Izsviešanas mehānisms
18. Elektriskie kontakti
19. Slēgmehānisms
20. Gumijas aizsargpolsterējums
21. Akumulatora atbrīvošanas poga
22. Drošības barjeras stienis (tikai krūmgrieža galvai)
23. Drošības barjeras fiksācijas stienis (tikai krūmgrieža galvai)
24. Ārējais atloks (tikai krūmgrieža galvai)
25. Uzgrieznis (tikai krūmgrieža galvai)
26. Uzgrieznis (tikai krūmgrieža galvai)

## KOMPLEKTĀCIJA

DAĻAS NOSAUKUMS	SKAITS
Auklas trimmeris	1
Aizsargs	1
Priekšējā palīgroktura mezgls	1
Sešskaldņu uzgriežņu atslēga	1
Daudzfunkciju uzgriežņu atslēga	1
Plecu sikсна	1
Lietotāja rokasgrāmata	1
Fiksācijas stienis	1
Ārējais atloks	1
Uzgrieznis	1
Skrūve	2

LV

## MONTĀŽA

**⚠ BRĪDINĀJUMS!** Ja kāda daļa ir bojāta vai trūkst, nedarbiniet šo izstrādājumu, kamēr nav nomainīta bojātā daļa. Darbinot šo izstrādājumu ar bojātām vai trūkstošām daļām, varat gūt smagus miesas bojājumus.

**⚠ BRĪDINĀJUMS!** Nemēģiniet pārveidot šo instrumentu vai pievienot piederumus, kuru izmantošana šajā auklas trimmerī nav ieteicama. Jebkādi šādi uzlabojumi vai pārveidojumi ir uzskatāmi par neatbilstošiem lietošanai un var radīt bīstamus apstākļus, kas var izraisīt nopietnus ievainojumus.

**⚠ BRĪDINĀJUMS!** Lai nepieļautu nesaistošu iekārtas ieslēgšanos, kas var radīt smagas traumas, to saliekot, vienmēr izņemiet no tās akumulatoru bloku.

**⚠ BRĪDINĀJUMS!** Ja iekārtai tiek uzstādīta krūmgrieža galva, uzstādiet arī drošības barjeras stieni.

### AIZSARGA MONTĀŽA

**⚠ BRĪDINĀJUMS!** Uzstādot vai nomainot aizsargu, vienmēr valkājiet cimdus. Sargieties no asmeņiem, kas atrodas uz aizsarga, un aizsargājiet rokas pret sagriešanos.

**⚠ BRĪDINĀJUMS!** Nekādā gadījumā nedarbiniet iekārtu, ja nav nostiprināts aizsargs. Aizsargam vienmēr jābūt uzstādītam uz iekārtas, lai aizsargātu lietotāju! Kad aizsargs ir piestiprināts, nekad nemēģiniet to noņemt vai regulēt; ja aizsargs ir jānomaina, nogādājiet to kvalificētam apkopes tehnikam!

LV

1. No aizsarga izskrūvējiet un izņemiet abas skrūves (B att.).
2. Novietojiet aizsarga montāžas caurumus vienā līmenī ar caurumiem pamatnē, pēc tam nofiksējiet aizsargu kāta pamatnē, ieskrūvējot abas skrūves un abas atsperaplāksnes (C att.).

**PIEZĪME!** Pārļiecinieties, vai aizsargs ir piestiprināts pareizi tā, kā norādīts B un C attēlos; nepareizi uzstādīts aizsargs ir ļoti bīstams!

### PRIEKŠĒJĀ PALĪGROKTURA UZSTĀDĪŠANA UN REGULĒŠANA

1. Atskrūvējiet fiksācijas stieni priekšējā palīgrokturī un izņemiet fiksācijas stieni un spārnuzgriezni no priekšējā palīgroktura (D att.).

**PIEZĪME!** Uzstādiet drošības barjeras stieni uz cilpeida roktura, pieskrūvējot ar divām skrūvēm, ja instrumentam tiek uzstādīta krūmgrieža galva.

**PIEZĪME!** Ir divu veidu fiksācijas stieņi — tsākais ir paredzēts trimmera galvai. Garākais ir paredzēts krūmgrieža galvai. Rūpīgi izvēlieties pareizo fiksācijas stieni, lietojot instrumentu.

D-1	Priekšējais palīgrokturis	D-4	Drošības barjeras stienis (tikai krūmgrieža galvai)
D-2	Stiprinājuma bloks	D-5	Fiksācijas stienis
D-3	Spārnuzgrieznis		

2. Uzspiediet priekšējo palīgrokturi uz vārpstas sliekšņvērtības gredzena priekšpusē. Nekad nenovietojiet to starp sliekšņvērtības gredzenu un aizmugurējo rokturi (E att.).
3. Ievietojiet stiprinājuma bloku roktura gropē (F att.).
4. Uzstādiet fiksācijas stieni un pievelciet ar spārnuzgriezni. Pārļiecinieties, vai priekšējais palīgrokturis ir vērsts uz augšu un virzienā uz aizmugurējā roktura augšējo daļu (G att.).
5. Noregulējiet priekšējo palīgrokturi starp gredzenu un plāksnīti tā, lai roka, kura griešanas laikā atrodas priekšpusē, būtu izstiepta (H att.).
6. Bloķējiet fiksācijas stieņa sviru. (I att.)

**⚠ BRĪDINĀJUMS!** Neizmantojiet darbarīku bez piestiprināta priekšējā palīgroktura.

### PLECU SIKSNAS PIESTIPRINĀŠANA

Drošākai un labākai darbībai uzvelciet siksnu uz viena no pleciem un pāri mugurai.

1. Lai atvērtu siksnas āķi, nospiediet to un pieāķējiet pie plecu siksnas piekares (J att.).
2. Noregulējiet plecu siksnas garumu un novietojumu ērtā darba stāvoklī — satveriet trimmeri ar abām rokām, ar vienu satveriet priekšējo rokturi, savukārt ar otru aizmugurējo rokturi.

**⚠ BRĪDINĀJUMS!** Avārijas situācijas gadījumā nekavējoties noņemiet siksnu no pleca neatkarīgi no tā, kādā pozīcijā tā atrodas.

Neizmantojiet vienu plecu siksnu kopā ar dubulto plecu siksnu.

Siksnas valkāšanas laikā neviena cita valkājama ierīce nedrīkst traucēt siksnas atbrīvošanu un noņemšanu.



## EKSPLUATĀCIJA

**▲ BRĪDINĀJUMS!** Vienmēr kopā ar dzirdes aizsarglīdzekļiem valkājiet arī aizsargbrilles vai drošības brilles ar sānu aizsargiem. Pretējā gadījumā priekšmeti, ko izsviež griezējinstrumentus, var iekļūt acīs un radīt nopietnus savainojumus.

Šo izstrādājumu var lietot tālāk norādītajiem mērķiem:

Apgrīšana: izmantojiet zāles un nezāļu apgrīšanai gar sienām, žogiem, kokiem un apmalēm.

Griešana: lietojiet zāles nogriešanai vietās, kur ir grūti piekļūt ar parastu zāles pļāvēju.

**PIEZĪME!** Instrumentu drīkst izmantot tikai aprakstītajam mērķim. Citu veidu lietošana, piemēram, dzīvžogu apgrīšana, ir uzskatāma par nepareizu lietošanu.

### AKUMULATORU BLOKA IEVIETOŠANA/ IZŅEMŠANA

Izmantojiet tikai A2 attēlā uzskatītos akumulatora blokus un lādētājus.

### Pirms pirmās lietošanas reizes uzlādējiet akumulatoru pilnībā

#### Ievietošana

Salāgojiet akumulatora izciļņus ar stiprinājuma rievām un iespiediet akumulatoru bloku, līdz ir dzirdama „klikšķa” skaņa (K att.).

#### Izņemšana

Nospiediet akumulatora atbrīvošanas pogu un izvelciet akumulatoru bloku tā, kā tas parādīts L attēlā.

L-1	Akumulatora atbrīvošanas poga
-----	-------------------------------

### AUKLAS TRIMMERA TURĒŠANA

Lai lietošana būtu drošāka un labāka, uzvelciet plecu siksnu pāri plecam, kā tas parādīts N attēlā. Noregulējiet plecu siksnu ērtā darba stāvoklī. Turiet auklas trimeri ar abām rokām: vienai rokai jāatrodas uz aizmugurējā roktura un otrai rokai - uz priekšējā palīgroktura.

**PIEZĪME!** Trimmera galvai ir jāatrodas paralēli zemes virsmai atbilstošā griešanas augstumā un operatora augums nedrīkst būt saliekts (N att.).

Siksnu var noņemt divos veidos. Noņemiet nost no pleca (O att.) vai nospiediet siksnas āķi nodaliet no cauruļu skavas, kas nostiprināta uz vārpstas (P att.).

**▲ BRĪDINĀJUMS!** Plecu siksnai ir arī ātrās atbrīvošanas mehānisms bīstamām situācijām. Avārijas situācijās gadījumā nekavējoties noņemiet siksnu no pleca

neatkarīgi no tā, kādā pozīcijā tā atrodas.

### AUKLAS TRIMMERA IEDARBINĀŠANA/ APTURĒŠANA (M att.)

#### Ieslēgšana

Nospiediet atbloķēšanas sviru un pēc tam nospiediet iedarbināšanas slēdzi. Griezējauklas rotācijas ātrums ir atkarīgs no spēka, ar kādu tiek nospiests iedarbināšanas slēdzis. Jo lielāks spiediens, jo lielāks rotācijas ātrums.

#### Apturēšana

Atļaidiet slēdzi.

**PIEZĪME!** Motors darbojas tikai tad, ja vienlaicīgi ir nospiesta atbloķēšanas poga un iedarbināšanas slēdzis.

### Ātruma regulēšanas funkcija (M att.)

Auklas trimmerim ir divi ātrumi. 1. pozīcija ir zems ātrums, bet 2. pozīcija — liels ātrums.

M-1	Augsta/zema ātruma pārslēgšanas slēdzis
M-2	Bloķēšanas poga
M-3	Ieslēgšanas slēdzis

### AUKLAS TRIMMERA LIETOŠANA

Pirms katras lietošanas reizes attīriet apstrādājamo vietu. Savāciet akmeņus, stikla lauskas, naglas, vadus vai auklas, kas var tikt izsviestas vai iekļūt griešanas piercē. Nepieļaujiet bērnu, citu personu un mājdzīvnieku atrašanos darba vietā. Sekojiet, lai bērni, citas personas un mājdzīvnieki atrastos vismaz 15 m attālumā; vēl arvien pastāv apdraudējums, ko rada izsviesti objekti. Sekojiet, lai apkārtējie izmantotu acu aizsarglīdzekļus. Ja strādājot kāds jums tuvojas, nekavējoties apturiet motoru un griešanas pierci.

### Pirms katras lietošanas reizes pārbaudiet, vai nav bojātu/nodilušu daļu

Pārbaudiet ierīces piespiežamo galvu, aizsargu un priekšējo rokturi un nomainiet detaļas, ja tās ir saplaisājušas, savijušās, salocījušās vai bojātas.

Ar laiku auklas griešanas asmens uz aizsarga var kļūt truls. Ieteicams periodiski asināt asmeni ar vīli vai nomainīt to.

**▲ BRĪDINĀJUMS!** Uzstādot vai nomainot aizsargu, asinot vai nomainot auklas griezējasmēni, vienmēr valkājiet cimdus. Ņemiet vērā asmens atrašanās vietu uz aizsarga, un sargiet rokas no savainošanās.

### Pārbaudiet, vai trimmera galva nav aizsprostota

- Lai novērstu aizsprostojuma rašanos, regulāri iztīriet trimmera galvu. Pirms un pēc katras lietošanas reizes

izfīriet nopļauto zāli, lapas, nefīrumus un citus uzkrātos gružus.

- Aizsprostojuma gadījumā apturiet auklas trimmeri un izņemiet akumulatoru, pēc tam izņemiet visu zāli, kas varētu būt aptiniesies ap motora vārpstu vai trimmera galvu.

**Trimmeris ir jānotīra pēc katras lietošanas reizes.**

## TRIMMERA AUKLAS GARUMA REGULĒŠANA

Trimmera galva ļauj operatoram izbīdīt vairāk griešanas auklas, neapsturot motoru. Ja aukla sadilst vai nolietojas, tad, nedaudz piesitot trimmera galvu pret zemi trimmera lietošanas laikā, var izbīdīt jaunu auklas garumu (Q att.).

**PIEZĪME!** Trimmera auklai paliekot tsākai, auklas padeve kļūst apgrūtināta.

**⚠ BRĪDINĀJUMS!** Nenoņemiet un nepārveidojiet auklas griešanas asmens mezglu. Pārmērīgi gara aukla izraisīs motora pārkaršanu, un var rasties smagi miesas bojājumi.

## AUKLAS NOMAIŅA

**PIEZĪME!** Vienmēr lietojiet ieteikto neilona griezējauklu, kuras diametrs nepārsniedz 2,4 mm. Cita veida auklas izmantošana var izraisīt auklas trimmera pārkaršanu vai var to sabojāt.

**⚠ BRĪDINĀJUMS!** Nekad neizmantojiet auklu ar metāla pastiprinājumiem, stiepli, virvi u.tml. Šāda veida auklas var salūst un kļūt par bīstamiem, lielā ātrumā izsviestiem objektiem.

1. Izņemiet akumulatoru bloku.
2. Nepieciešamības gadījumā izņemiet atlikušo griezējauklas daļu.
3. Nogrieziet 4m griezējauklu un ievielciet auklu montāžas caurumā atņīņas iekšpusē (R att.). Iespiediet un izvelciet auklu no otras puses, līdz spolei abās pusēs var redzēt vienāda garuma auklu.
4. Lai uzlītu auklu uz spoles, piespiediet, vienlaikus griežot spoles apakšējo daļu bultiņas virzienā, līdz katrā pusē var redzēt aptuveni 14 cm auklas (S att.).
5. Vienlaikus velkot auklu, nospiediet spoles apakšējo daļu, lai ar rokām izvilktu auklu un, lai pārbaudītu, vai trimmera galva ir pareizi uzstādīta.

Ja griešanas aukla pārtrūkst pie auklas izejas vai griešanas aukla netiek padota, piesitot ar trimera galvu, izpildiet tālāk norādītās darbības:

1. Nospiediet atlaišanas izcīņņus uz spoles augšējās daļas un noņemiet spoles apakšējo daļu, izvelkot to uz āru (T un U att.).

2. Izņemiet griezējauklu no spoles.
3. Ar vienu roku pieturiet spoles apakšējo daļu un ar otru roku satveriet spoles apakšējo daļu un salāgojiet spoles augšējās daļas izcīņņus ar spoles apakšējās daļas caurumiem (V att.); ar plaukstu piespiediet un pagrieziet spoles apakšējo daļu, līdz izcīņņi nofiksējas spoles augšējā daļā.
4. Lai nomaiņītu griešanas auklu, sekojiet norādījumiem sadaļā „AUKLAS NOMAIŅA”.

## 3 ZOBU ASMENS NOMAIŅA

**PIEZĪME!** Lai pasargātu sevi no traumām, valkājiet cimdus pirms sākat darboties ar 3 zobu asmeni.

1. Noņemiet spoles apakšējo daļu, kā tas parādīts T un U attēlā.
2. Ievietojiet stabilizatoru, pēc tam izmantojiet trieciena uzgriežņu atslēgu, lai atskrūvētu uzgriezni, kā parādīts X1 un X2 attēlā.
3. Noņemiet visas detaļas, izņemot iekšējo atloku un uzgriezni (X3. att.), uzlieciet asmeni uz motora vārpstas, kā tas norādīts X4 attēlā.
4. Pievelciet asmens skrūves, kā tas parādīts X5 attēlā.

**⚠ BRĪDINĀJUMS!** Grieziet jaunaudzes vai citu koksnes materiālu līdz 2 cm diametrā ar asmens kreiso pusi, lai izvairītos no asmens atsitiena. Nemēģiniet griezt koksni, kurai ir lielāks diametrs, jo asmens var iekerties vai paraut krūmgriezi uz priekšu. Tas var sabojāt asmeni vai krūmgriezi, vai arī jūs varat zaudēt vadību pār krūmgriezi, kas izraisa miesas bojājumus.

**PIEZĪME!** Regulāri uzasiniet asmeni (ja tas acīmredzami kļuvis neass), un nepieciešamības gadījumā sabalansējiet to (veic kvalificēts servisa speciālists).

## APKOPE

**⚠ BRĪDINĀJUMS!** Veicot ierīces apkopi, izmantojiet tikai identiskas rezerves daļas. Regulāri pārbaudiet instrumentu un veiciet tam apkopi. Lai garantētu drošību un uzticamību, visi remontdarbi jāveic kvalificētam apkopes tehniķim.

**⚠ BRĪDINĀJUMS!** Lai nepieļautu smagas traumas, pirms trimera apkopes, tīrīšanas, papildpiertīcu maiņas vai zāles izņemšanas izņemiet akumulatora bloku.

**⚠ UZMANĪBU.** Ja ventilācijas atveres būs aizsērējušas, gaiss nevarēs iekļūt motora korpusā un motors pārkarstīs vai tiks sabojāts.

## INSTRUMENTA TĪRĪŠANA

- Tīriet ierīci ar mitru drānu un maigu mazgāšanas līdzekli. Nekādā gadījumā nepieļaujiet šķidruma iekļūšanu instrumentā; nekad neiegremdējiet šķidrumā nevienu no instrumenta daļām.
- Netīriet plastmasas korpusu un rokturi ar kodīgiem tīrīšanas līdzekļiem. Plastmasas daļas var sabojāt ar zināmām aromatizētām eļļām, piemēram, priežu un citrona, un šķīdinātājiem, piemēram, petroleju. Elektrotraumu var radīt arī mitrums. Kārtīgi noslaukiet mitrumu ar mitru, tīru drānu.
- Ventilācijas atveru tīrīšanai korpusa aizmugurē izmantojiet nelielu suku vai nelielu putekļsūcēja suku ar gaisa izplūdi.
- Turiet motora korpusa atveres tīras no gružiem.

## REDUKTORU EĻĻOŠANA

Reduktorus pārnesumkārbā ir periodiski jāieeļļo ar reduktoru smērvielu. Pārbaudiet pārnesumkārbā smērvielas līmeni ik pēc 50 darba stundām, noņemot kārbas pusē esošo blīvējuma skrūvi.

Ja uz reduktora malām nav redzama smērviela, tad, lai uzpildītu reduktoru smērvielai līdz 3/4 ietilpības, izpildiet tālāk redzamās darbības. Neiepildiet smērvielai reduktoros līdz augšai.

1. Pagrieziet auklas trimmeri uz sāniem tā, lai blīvējuma skrūve būtu vērsta virzienā uz augšu (W att.).
2. Atskrūvēšanai izmantojiet komplektācijā iekļauto daudzfunkciju uzgriežņu atslēgu un izņemiet blīvējuma skrūvi.
3. Izmantojiet smērvielas šļirci (komplektācijā nav iekļauta), lai iepildītu smērvielai caur skrūves atveri; nepārsniedzot 3/4 ietilpības.
4. Pēc iepildīšanas aizskrūvējiet blīvējuma skrūvi.

## INSTRUMENTA UZGLABĀŠANA

- Ja auklas trimmeri neizmantojat, izņemiet no tā akumulatoru bloku.
- Pirms uzglabāšanas instruments ir kārtīgi jānotīra.
- Uzglabājiet ierīci sausā, labi vēdināmā, aizslēdzamā vai augstā — bērniem nepieejamā — vietā. Neuzglabājiet ierīci blakus mēslojumam, degvielai vai citām ķīmikālijām.
- Transportēšanas un uzglabāšanas laikā uzlieciet 3 zobu asmenim apvalku.

## Apkārtējās vides aizsardzība



Neutilizējiet elektrisko aprīkojumu, izlietoto akumulatoru un lādētāju sadzīves atkritumos! Nogādājiet šo produktu uz pilnvarotu pārstrādes punktu un sagatavojiet atkritumu šķirošanai. Elektriskos instrumentus jānogādā videi nekaitīgā pārstrādes rūpnīcā.

## KĻŪDU NOVĒRŠANA

PROBLĒMA	CĒĻONIS	RISINĀJUMS
Auklas trimmeris neieslēdzas.	<ul style="list-style-type: none"> <li>■ Trimmerī nav uzstādīts akumulatoru bloks.</li> <li>■ Starp trimmeri un akumulatoru nav elektriskā savienojuma.</li> <li>■ Akumulatoru bloks ir izlādējies.</li> <li>■ Vienlaikus nav nospiesta bloķēšanas poga un pārslēdzējs.</li> </ul>	<ul style="list-style-type: none"> <li>■ Uzstādiet trimmerī akumulatoru bloku.</li> <li>■ Izņemiet akumulatoru, pārbaudiet kontaktus un ievietojiet atpakaļ.</li> <li>■ Uzlādējiet akumulatoru bloku.</li> <li>■ Nospiediet bloķēšanas pogu un turiet to, tad nospiediet pārslēdzēju, lai ieslēgtu auklas trimmeri.</li> </ul>
Auklas trimmeris apstājas griešanas laikā.	<ul style="list-style-type: none"> <li>■ Uz trimmera nav uzstādīts aizsargs, kā rezultātā griezējaukļa ir par garu un rodas motora pārslodze.</li> <li>■ Izmantota smaga griezējaukļa.</li> <li>■ Motora vārpstu vai trimmera galvu nosprostojuši zāle.</li> <li>■ Motora pārslodze.</li> <li>■ Akumulatoru bloks vai dzīvzogu trimmeris ir pārkaršis.</li> <li>■ Akumulatoru bloks ir atvienots no darbarīka.</li> <li>■ Akumulatoru bloks ir izlādējies.</li> </ul>	<ul style="list-style-type: none"> <li>■ Izņemiet akumulatoru bloku un uzstādiet trimmerim aizsargu.</li> <li>■ Izmantojiet ieteikto neilona griezējaukļu, kuras diametrs nepārsniedz 2,4 mm.</li> <li>■ Apturiet trimmeri, izņemiet akumulatoru un iztīriet zāli no motora vārpstas un trimmera galvas.</li> <li>■ Paceliet no zāles trimmera galvu. Motors uzreiz pēc noslogojuma atbrīvošanas atsāks darboties. Griežot ievirziet trimera galvu griežamajā zālē, noņemot ne vairāk par 20 cm garuma vienā griezumā.</li> <li>■ Ļaujiet akumulatora blokam vai trimmerim atdzist, līdz temperatūra nokrītas zem 67°C.</li> <li>■ Ielieciet atpakaļ akumulatoru bloku.</li> <li>■ Uzlādējiet akumulatoru bloku.</li> </ul>

LV

PROBLĒMA	CĒLONIS	RISINĀJUMS
Trimmera galva nepadod auklu.	<ul style="list-style-type: none"> <li>■ Motora vārpstu vai trimmera galvu nosprostojusi zāle.</li> <li>■ Spolē nepietiek auklas.</li> <li>■ Trimmera galva ir netīra.</li> <li>■ Spolē savijusies aukla.</li> <li>■ Aukla ir par īsu.</li> </ul>	<ul style="list-style-type: none"> <li>■ Apturiet trimmeri, izņemiet akumulatoru un iztīriet zāli motora vārpstu un trimmera galvu.</li> <li>■ Izņemiet akumulatoru un nomainiet griezējauklu; skatiet šīs rokasgrāmatas nodaļu „AUKLAS MAINĀ”.</li> <li>■ Izņemiet akumulatoru un iztīriet trimmera galvu.</li> <li>■ Izņemiet akumulatoru, izņemiet no trimmera galvas auklu un uztiniet no jauna; skatiet šīs rokasgrāmatas sadaļu „GRIEZĒJAUKLAS UZTĪŠANA”.</li> <li>■ Izņemiet akumulatoru un ar rokām velciet auklas, vienlaikus nospiežot un atlaižot trimmera galvu.</li> </ul>
Ap trimmera galvu un motora korpusu ir aptinusies zāle.	<ul style="list-style-type: none"> <li>■ Garas zāles griešana pie zemes.</li> </ul>	<ul style="list-style-type: none"> <li>■ Grieziet garu zāli no augšas uz leju, katru reizi vienā gājienā nogriežot pa 20 cm, lai nepieļautu zāles aptīšanos.</li> </ul>
Plaisas uz trimmera galvas vai apakšējā daļa atskrūvējusies no spoles augšējās daļas.	<ul style="list-style-type: none"> <li>■ Trimmera galva ir nodilusi.</li> </ul>	<ul style="list-style-type: none"> <li>■ Nekavējoties nomainiet trimmera galvu, nogādājot to kvalificētam servisa tehniķim.</li> </ul>

## GARANTIJA

### EGO GARANTIJAS POLITIKA

Lūdzu, apmeklējiet tīmekļa vietni [egopowerplus.eu](http://egopowerplus.eu), kur pieejama pilna EGO garantijas politikas noteikumu un nosacījumu versija.

LV

## ΔΙΑΒΑΣΤΕ ΟΛΕΣ ΤΙΣ ΟΔΗΓΙΕΣ!



**ΔΙΑΒΑΣΤΕ ΤΟ ΕΓΧΕΙΡΙΔΙΟ ΧΡΗΣΗΣ**



Προειδοποίηση ασφαλείας



Φοράτε προστατευτικά γυαλιά



Μη χρησιμοποιείτε μεταλλικές λεπίδες



Η απόσταση μεταξύ του μηχανήματος και παριστάμενων πρέπει να είναι τουλάχιστον 15 m.



Διάμετρος μεσινέζας - Διάμετρος της νάιλον μεσινέζας



Αυτό το προϊόν συμμορφώνεται με τις εφαρμοστές οδηγίες της ΕΚ.



Τα απόβλητα ειδών ηλεκτρικού και ηλεκτρονικού εξοπλισμού δεν πρέπει να απορρίπτονται στα οικιακά απορρίμματα. Παραδώστε τα σε εξουσιοδοτημένη μονάδα ανακύκλωσης.

**GR**

V Τάση

.../min Ανά λεπτό

kg Χιλιόγραμμα

## ΣΥΜΒΟΛΑ ΑΣΦΑΛΕΙΑΣ



**ΠΡΟΕΙΔΟΠΟΙΗΣΗ:** Η λειτουργία ηλεκτρικών εργαλείων μπορεί να προκαλέσει την εκτόξευση ξένων αντικειμένων στα μάτια σας, με αποτέλεσμα σοβαρό τραυματισμό. Πριν ξεκινήσετε τη χρήση του ηλεκτρικού εργαλείου, φοράτε πάντα προστατευτικά γυαλιά ή γυαλιά με πλευρική προστασία και, εφόσον απαιτείται, πλήρη προστατευτική προσωπίδα. Συνιστούμε μια προσωπίδα ασφαλείας ευρείας άρασης, για χρήση πάνω από γυαλιά ή τα συνήθη προστατευτικά γυαλιά με πλευρική προστασία.



Διαβάστε και κατανοήστε το εγχειρίδιο χρήσης



Φοράτε προστατευτικά ακοής



Προσοχή στα πεταμένα αντικείμενα



Αποσυνδέετε την μπαταρία πριν τη συντήρηση



Πλάτος κοπής - Μέγιστο πλάτος κοπής χλοοκοπτικού με μεσινέζα



Αυτό το προϊόν συμμορφώνεται με την ισχύουσα νομοθεσία του ΗΒ.



Εγγυημένη στάθμη ηχητικής ισχύος. Εκπομπές θορύβου στο περιβάλλον σύμφωνα με την οδηγία της Ευρωπαϊκής Ένωσης.

$n_0$

Ταχύτητα χωρίς φορτίο - Ταχύτητα περιστροφής, χωρίς φορτίο



Συνεχές ρεύμα

IPX4

Διαθέτει προστασία από πισίλισμα νερού

## ΤΕΧΝΙΚΕΣ ΠΡΟΔΙΑΓΡΑΦΕΣ

	Κεφαλή χλοοκοπτικού	Λεπίδα με 3 δόντια
Τάση	56 V $\text{---}$	56 V $\text{---}$
Συνιστώμενη θερμοκρασία λειτουργίας:	0°C-40°C	
Συνιστώμενη θερμοκρασία αποθήκευσης:	-20°C-70°C	
Βέλτιστη θερμοκρασία φόρτισης	5°C-40°C	
Ταχύτητα χωρίς φορτίο	5000/6000 min <sup>-1</sup>	5000/6000 min <sup>-1</sup>
Τύπος μεσινέζας	2,4 mm	/
Λεπίδα κοπής	/	ABB1203
Πλάτος κοπής	38 cm	30cm
Βάρος (χωρίς συστοιχία μπαταριών)	4,21 kg	4,45 kg
Μετρημένη στάθμη ηχητικής ισχύος L <sub>WA</sub>	94,6 dB(A) K=1,8 dB(A)	96,5 dB(A) K=1,88 dB(A)
Στάθμη ηχητικής πίεσης στο αυτί του χειριστή L <sub>PA</sub>	81,7 dB(A) K=2,5 dB(A)	76,5 dB(A) K=3 dB(A)
Εγγυημένη στάθμη ηχητικής ισχύος L <sub>WA</sub> (κατά 2000/14/EK)	96 dB(A)	98 dB(A)
Δόνηση a <sub>h</sub>	Χειρολαβή μπροστινής υποβοήθησης	3,2 m/s <sup>2</sup> K=1,5 m/s <sup>2</sup>
	Πίσω χειρολαβή	2,3 m/s <sup>2</sup> K=1,5 m/s <sup>2</sup>
		2,8 m/s <sup>2</sup> K=1,5 m/s <sup>2</sup>

- Η αναφερόμενη συνολική τιμή κραδασμών έχει μετρηθεί σύμφωνα με την πρότυπη μέθοδο ελέγχου και μπορεί να χρησιμοποιηθεί για τη σύγκριση ενός εργαλείου με κάποιο άλλο.
- Η αναφερόμενη συνολική τιμή κραδασμών μπορεί να χρησιμοποιηθεί, επίσης, για την προκαταρκτική αξιολόγηση της έκθεσης.

**ΣΗΜΕΙΩΣΗ:** Οι εκπομπές κραδασμών κατά τη διάρκεια της πραγματικής χρήσης του ηλεκτρικού εργαλείου μπορεί να διαφέρουν από τη δηλωμένη τιμή στην οποία χρησιμοποιείται το εργαλείο. Για την προστασία του χειριστή, πρέπει να χρησιμοποιούνται γάντια και προστασία της ακοής στις πραγματικές συνθήκες χρήσης.

## ΠΕΡΙΓΡΑΦΗ

### ΓΝΩΡΙΣΤΕ ΤΟ ΧΛΟΟΚΟΠΤΙΚΟ ΜΕ ΜΕΣΙΝΕΖΑ

#### (Εικ. A1)

1. Δακτύλιος κατωφλίου
2. Σκανδάλη
3. Πίσω χειρολαβή
4. Είσοδος αέρα
5. Κουμπί απασφάλισης
6. Διακόπτης υψηλής/χαμηλής ταχύτητας
7. Γάντζος στηρίγματος μάντα ωμου
8. Ρυθμιζόμενη λαβή μπροστινής υποβοήθησης
9. Ιμάντας ώμου
10. Κλειδί πολλαπλών λειτουργιών
11. Εξάγωνο κλειδί
12. Κεφαλή χλοοκοπτικού (κεφαλή πρόσκρουσης)
13. Μεσινέζα
14. Γλωπίδα αποδέσμευσης
15. Λεπίδα κοπής μεσινέζας
16. Καλύπτρα
17. Μηχανισμός εκτόξευσης
18. Ηλεκτρικές επαφές
19. Μάνταλο
20. Προστατευτικό ελαστικό πατάκι
21. Κουμπί απελευθέρωσης της συστοιχίας μπαταριών
22. Μπάρα ασφάλειας (μόνο για κεφαλή θαμνοκοπτικού)
23. Ράβδος ασφάλισης για μπάρα ασφάλειας (μόνο για κεφαλή θαμνοκοπτικού)
24. Εξωτερική φλάντζα (μόνο για κεφαλή θαμνοκοπτικού)
25. Παξίμαδι (μόνο για κεφαλή θαμνοκοπτικού)
26. Βίδες (μόνο για κεφαλή θαμνοκοπτικού)

## ΚΑΤΑΛΟΓΟΣ ΕΞΑΡΤΗΜΑΤΩΝ ΣΥΣΚΕΥΑΣΙΑΣ

ΟΝΟΜΑ ΕΞΑΡΤΗΜΑΤΟΣ	ΠΟΣΟΤΗΤΑ
Χλοοκοπτικό με μεσινέζα	1
Καλύπτρα	1
Μονάδα λαβής μπροστινής υποβοήθησης	1
Εξάγωνο κλειδί	1
Πολλαπλό κλειδί	1
Ιμάντας ώμου	1
Εγχειρίδιο χρήσης	1
Ράβδος ασφάλισης	1
Εξωτερική φλάντζα	1
Παξίμαδι	1
Βίδα	2

GR

## ΣΥΝΑΡΜΟΛΟΓΗΣΗ

**⚠️ ΠΡΟΕΙΔΟΠΟΙΗΣΗ:** Σε περίπτωση που κάποια από τα εξαρτήματα έχουν υποστεί ζημιά ή λείπουν, μη χρησιμοποιήσετε το προϊόν, μέχρι να αντικατασταθούν.

Η χρήση αυτού του προϊόντος με φθαρμένα ή ελλιπή εξαρτήματα μπορεί να έχει ως αποτέλεσμα σοβαρό τραυματισμό.

**⚠️ ΠΡΟΕΙΔΟΠΟΙΗΣΗ:** Μην επιχειρήσετε να τροποποιήσετε αυτό το προϊόν ή να δημιουργήσετε παρελκόμενα που δε συνιστώνται για χρήση με αυτό το χλοοκοπτικό με μεσινέζα. Κάθε παρόμοια μετατροπή ή τροποποίηση συνιστά κακή χρήση και μπορεί να δημιουργήσει επικίνδυνες καταστάσεις με επακόλουθο τον σοβαρό τραυματισμό.

**⚠️ ΠΡΟΕΙΔΟΠΟΙΗΣΗ:** Για να εμποδίσετε τυχαία εκκίνηση που θα μπορούσε να προκαλέσει σοβαρό τραυματισμό, απομακρύνετε πάντα τη συστοιχία μπαταριών από τη μηχανή όταν συναρμολογείτε εξαρτήματα.

**⚠️ ΠΡΟΕΙΔΟΠΟΙΗΣΗ:** Όταν το εργαλείο είναι εξοπλισμένο με κεφαλή θαμνοκόπτη πρέπει να προσαρτάται η μπάρα ασφάλειας.

## ΠΡΟΣΑΡΤΗΣΗ ΚΑΛΥΠΤΡΑΣ

**⚠️ ΠΡΟΕΙΔΟΠΟΙΗΣΗ:** Φοράτε πάντα γάντια κατά την προσάρτηση ή αντικατάσταση της καλύπτρας. Προσέχετε τη λεπίδα της καλύπτρας και προστατεύετε το χέρι σας από κοπή.

**⚠️ ΠΡΟΕΙΔΟΠΟΙΗΣΗ:** Μην χρησιμοποιήσετε ποτέ τη μηχανή χωρίς να είναι καλά τοποθετημένη η καλύπτρα. Η καλύπτρα πρέπει να βρίσκεται πάντα προσαρτημένη στη μηχανή για την προστασία του χρήστη! Εφόσον έχει προσαρτηθεί η καλύπτρα, μην επιχειρήσετε ποτέ να την αφαιρέσετε ή να τη ρυθμίσετε. Εφόσον απαιτηθεί αντικατάσταση, αυτή θα πρέπει να διεξαχθεί από εξειδικευμένο τεχνικό σέρβις!

1. Ξεβιδώστε και αφαιρέστε τις δύο βίδες από την καλύπτρα (Εικ. Β).
2. Ευθυγραμμίστε τις οπές τοποθέτησης προστατευτικού με τις οπές συναρμολόγησης και, στη συνέχεια, ασφαλίστε την καλύπτρα επάνω στη βάση άξονα με τις δύο βίδες, μαζί με τα δύο γκρόβερ (Εικ. C).

**ΣΗΜΕΙΩΣΗ:** Εξασφαλίστε ότι η καλύπτρα έχει προσαρτηθεί σύμφωνα με τις Εικ. Β και C, ενώ οποιαδήποτε αντίστροφη προσάρτηση ενέχει εξαιρετικά μεγάλο κίνδυνο!

## ΤΟΠΟΘΕΤΗΣΗ ΚΑΙ ΡΥΘΜΙΣΗ ΤΗΣ ΛΑΒΗΣ ΜΠΡΟΣΤΙΝΗΣ ΥΠΟΒΟΗΘΗΣΗΣ

1. Ξεβιδώστε τη ράβδο ασφάλισης από τη χειρολαβή μπροστινής υποβοήθησης και αφαιρέστε τη ράβδο ασφάλισης και την πεταλούδα από τη χειρολαβή (Εικ. D).

**ΣΗΜΕΙΩΣΗ:** Εγκαταστήστε τη διάταξη της μπάρας ασφάλειας πάνω στη στρόγγυλη χειρολαβή με τις δύο βίδες, εφόσον το εργαλείο είναι εξοπλισμένο με κεφαλή θαμνοκοπτικού.

**ΣΗΜΕΙΩΣΗ:** Υπάρχουν δύο είδη ράβδων ασφάλισης. Η κοντύτερη είναι για χρήση με την κεφαλή χλοοκοπτικού. Η μακρύτερη είναι για χρήση με την κεφαλή θαμνοκοπτικού. Φροντίστε να επιλέξετε τη σωστή ράβδο ασφάλισης για την εκάστοτε χρήση.

D-1	Λαβή μπροστινής υποβοήθησης	D-4	Μπάρα ασφάλειας (μόνο για κεφαλή θαμνοκοπτικού)
D-2	Μπλοκ σύσφιξης	D-5	Ράβδος ασφάλισης
D-3	Πεταλούδα		

2. Πιέστε την μπροστινή χειρολαβή πάνω στον άξονα, στον μπροστινό δακτύλιο κατωφλίου. Μην την τοποθετήσετε ποτέ μεταξύ του δακτυλίου κατωφλίου και την περιοχή της πίσω χειρολαβής (Εικ. E).
3. Εισαγάγετε το μπλοκ σύσφιξης μέσα στην εσοχή λαβής (Εικ. F).
4. Προσαρτήστε τη ράβδο ασφάλισης και συσφίξτε την αρχικά με την πεταλούδα. Εξασφαλίστε ότι η λαβή μπροστινής υποβοήθησης είναι προς τα επάνω και δείχνει προς το άνω μέρος της πίσω λαβής (Εικ. G).
5. Ρυθμίστε τη λαβή μπροστινής υποβοήθησης μεταξύ του δακτυλίου κατωφλίου και την ετικέτα, ώστε να εξασφαλίσετε ότι ο μπροστινός σας βραχίονας είναι ίσιος κατά τη λειτουργία (Εικ. H).
6. Ασφαλίστε το μοχλό της ράβδου ασφάλισης (Εικ. I).

**⚠️ ΠΡΟΕΙΔΟΠΟΙΗΣΗ:** Το εργαλείο δεν μπορεί να χρησιμοποιηθεί χωρίς να έχει στερεωθεί με ασφάλεια η λαβή μπροστινής υποβοήθησης.

## ΤΟΠΟΘΕΤΗΣΗ ΤΟΥ ΙΜΑΝΤΑ ΩΜΟΥ

Για ασφαλή και καλύτερη λειτουργία, περνάτε τον ιμάντα πάνω από έναν ώμο και κατά μήκος της πλάτης σας.

1. Πατήστε το άγκιστρο ιμάντα για να το ανοίξετε και προσαρτήστε το στον γάντζο στηρίγματος ιμάντα ώμου (Εικ. J).
2. Ρυθμίστε το μήκος και την τοποθέτηση του ιμάντα ώμου σε μια άνετη θέση – κρατήστε το χλοοκοπτικό και με τα δύο χέρια: το ένα χέρι στην πίσω χειρολαβή και το άλλο στην μπροστινή χειρολαβή.

**⚠️ ΠΡΟΕΙΔΟΠΟΙΗΣΗ:** Σε μια επείγουσα κατάσταση, αφαιρέστε τον από τον ώμο σας αμέσως, ανεξάρτητα από τη θέση του ιμάντα.

Μην χρησιμοποιείτε τον μονό ιμάντα ώμου και τον διπλό ιμάντα ώμου ταυτόχρονα.



Όταν φοράτε τον μίαντα, τίποτα δεν πρέπει να εμποδίζει την αποδέσμευση και την αφαίρεση του μίαντα.

## ΛΕΙΤΟΥΡΓΙΑ

**▲ ΠΡΟΕΙΔΟΠΟΙΗΣΗ:** Φοράτε πάντα προστατευτικά γυαλιά ή προστασία για τα μάτια με πλάγια προστατευτικά μαζί με προστασία ακοής. Σε αντίθετη περίπτωση, είναι πιθανό να υπάρξει εκτόξευση αντικειμένων στα μάτια σας και άλλοι πιθανοί σοβαροί τραυματισμοί.

Μπορείτε να χρησιμοποιήσετε αυτό το προϊόν για τους ακόλουθους σκοπούς:

**Ξάκρισμα:** Χρησιμοποιείται για την απομάκρυνση γρασιδιού και αγριόχορτων σε τοίχους, φράχτες, δέντρα και όρια.

**Κοπή:** Χρησιμοποιείται για την κοπή γρασιδιού, στο οποίο η πρόσβαση είναι δύσκολη με κανονικό χορτοκοπτικό μηχανήμα.

**ΣΗΜΕΙΩΣΗ:** Το εργαλείο πρέπει να χρησιμοποιείται μόνο για την προβλεπόμενη χρήση. Οποιαδήποτε άλλη χρήση, για παράδειγμα, το ξάκρισμα, θα εκληφθεί ως μη ορθή χρήση.

## ΠΡΟΣΑΡΤΗΣΗ/ΑΠΟΜΑΚΡΥΝΣΗ ΤΗΣ ΣΥΣΤΟΙΧΙΑΣ ΜΠΑΤΑΡΙΩΝ

Να χρησιμοποιείται μόνο με τις συστοιχίες μπαταριών και τους φορτιστές που αναφέρονται στην εικ. Α2.

**Φορτίστε πλήρως πριν από την πρώτη χρήση.**

### Προσάρτηση

Ευθυγραμμίστε τις πλευρές της μπαταρίας με τις οπές τοποθέτησης και πιέστε τη συστοιχία μπαταριών προς τα κάτω, μέχρι να ακούσετε ένα «κλικ» (Εικ. Κ).

### Αφαίρεση

Πιέστε το κουμπί αποδέσμευσης μπαταρίας και βγάλτε έξω τη συστοιχία μπαταριών, όπως φαίνεται στην Εικ. Λ.

L-1	Κουμπί απελευθέρωσης της συστοιχίας μπαταριών
-----	---

## ΚΡΑΤΗΜΑ ΤΟΥ ΧΛΟΟΚΟΠΤΙΚΟΥ ΜΕ ΜΕΣΙΝΕΖΑ

Για ασφαλή και καλύτερη λειτουργία, τοποθετήστε τον μίαντα ώμου διαγώνια στον ώμο, όπως φαίνεται στην Εικ. Ν. Ρυθμίστε τον μίαντα ώμου σε μια άνετη θέση λειτουργίας. Κρατάτε το χλοοκοπτικό και με τα δύο χέρια: Ένα χέρι στην πίσω λαβή και το άλλο χέρι στη λαβή μπροστινής υποβοήθησης.

**ΣΗΜΕΙΩΣΗ:** Η κεφαλή χορτοκοπτικού πρέπει να είναι παράλληλα προς το έδαφος σε μια σωστή απόσταση κοπής χωρίς ο χειριστής να σκύβει (Εικ. Ν).

Υπάρχουν δύο τρόποι αποδέσμευσης του μίαντα. Αφαιρέστε από τον ώμο σας απευθείας (Εικ. Ο) ή πιέστε το άγκιστρο του

μίαντα και διαχωρίστε το από το γάντζο στηρίγματος μίαντα ώμου που υπάρχει προσαρτημένος στον άξονα (Εικ. Ρ).

**▲ ΠΡΟΕΙΔΟΠΟΙΗΣΗ:** Ο μίαντας ώμου είναι επίσης ένας μηχανισμός γρήγορης αποδέσμευσης σε κάποια επικίνδυνη κατάσταση. Σε μια επείγουσα κατάσταση, αφαιρέστε τον από τον ώμο σας αμέσως, ανεξάρτητα από τη θέση του μίαντα.

## ΕΝΕΡΓΟΠΟΙΗΣΗ/ΑΠΕΝΕΡΓΟΠΟΙΗΣΗ ΤΟΥ ΧΛΟΟΚΟΠΤΙΚΟΥ ΜΕ ΜΕΣΙΝΕΖΑ (Εικ. Μ)

### Ενεργοποίηση

Πατήστε κάτω το μοχλό ασφάλισης και πιέστε τη σκανδάλη. Διαφορετική πίεση στη σκανδάλη επιφέρει μεταβλητή ταχύτητα περιστροφής της μεσινέζας. Περισσότερη πίεση, υψηλότερη ταχύτητα.

### Απενεργοποίηση

Απελευθερώστε τη σκανδάλη.

**ΣΗΜΕΙΩΣΗ:** Ο κινητήρας λειτουργεί μόνο όταν το κουμπί ασφάλισης και η σκανδάλη πιέζονται μαζί.

### Λειτουργία ρύθμισης ταχύτητας (Εικ. Μ)

Το χλοοκοπτικό με μεσινέζα διαθέτει δύο ταχύτητες. Η θέση «1» προορίζεται για χαμηλή ταχύτητα, ενώ η θέση «2» για υψηλή ταχύτητα.

M-1	Διακόπτης υψηλής/χαμηλής ταχύτητας
M-2	Κουμπί απασφάλισης
M-3	Σκανδάλη

## ΧΡΗΣΗ ΤΟΥ ΧΛΟΟΚΟΠΤΙΚΟΥ ΜΕ ΜΕΣΙΝΕΖΑ

Καθαρίζετε την περιοχή κοπής πριν από κάθε χρήση. Απομακρύνετε όλα τα αντικείμενα, όπως πέτρες, σπασμένα γυαλιά, καρφιά, σύρματα ή μεσινέζες, τα οποία μπορεί να πεταχτούν ή να μπερδευτούν στο προσάρτημα κοπής. Απομακρύνετε παιδιά, παρευρισκόμενους και κατοικίδια από το χώρο. Τα παιδιά, οι παρευρισκόμενοι και τα κατοικίδια πρέπει να βρίσκονται σε απόσταση τουλάχιστον 15 m. Ενδέχεται να εξακολουθεί να υπάρχει κίνδυνος για τους παρευρισκόμενους λόγω εκτοξευόμενων αντικειμένων. Ενθαρρύνετε τους παρευρισκόμενους να φορούν προστασία για τα μάτια. Εάν σας προσεγγίσει κάποιος, απενεργοποιήστε αμέσως τον κινητήρα και το προσάρτημα κοπής.

### Πριν από κάθε χρήση, ελέγχετε για τυχόν εξαρτήματα με ζημιές/φθορές

Ελέγχετε την κεφαλή πρόσκρουσης, την καλύπτρα και τη λαβή μπροστινής υποβοήθησης και αντικαθιστάτε τα εξαρτήματα που έχουν ρωγμές, παραμόρφωση, λυγίσματα ή ζημιές οποιουδήποτε είδους.

Η λεπίδα κοπής μεσινέζας στην άκρη της καλύπτρας

μπορεί να στομώσει με την πάροδο του χρόνου. Συνιστάται να την τροχίζετε ανά τακτά χρονικά διαστήματα με μια λίμα ή να την αντικαθιστάτε με νέα.

**⚠ ΠΡΟΕΙΔΟΠΟΙΗΣΗ:** Φοράτε πάντα γάντια κατά την τοποθέτηση ή αντικατάσταση της καλύπτρας ή κατά το τρόχισμα ή την αντικατάσταση της λεπίδας. Προσέχετε τη θέση της λεπίδας στην καλύπτρα και προστατεύετε τα χέρια σας από τραυματισμό.

### Ελέγξτε για εμπλοκή της κεφαλής χλοοκοπτικού

- Για να αποφεύγετε εμπλοκές, διατηρείτε καθαρή την κεφαλή του χλοοκοπτικού. Απομακρύνετε τα υπολείμματα γρασιδιού, τα φύλλα, τη βρωμιά και οποιαδήποτε άλλα συσσωρευμένα υπολείμματα πριν και μετά από κάθε χρήση.
- Σε περίπτωση εμπλοκής, απενεργοποιήστε το χλοοκοπτικό με μεσινέζα και αφαιρέστε την μπαταρία και, στη συνέχεια, αφαιρέστε τυχόν γρασίδι που μπορεί να έχει τυλιχτεί γύρω από τον άξονα του κινητήρα ή την κεφαλή του χλοοκοπτικού.

Μετά από κάθε χρήση, καθαρίζετε το χλοοκοπτικό.

### ΡΥΘΜΙΣΗ ΜΗΚΟΥΣ ΤΗΣ ΜΕΣΙΝΕΖΑΣ

Η κεφαλή χλοοκοπτικού επιτρέπει στον χειριστή να αποδεσμεύσει περισσότερη μεσινέζα χωρίς να σβήσει τον κινητήρα. Καθώς η μεσινέζα ξαφρίζει ή φθέρεται, μπορεί να αποδεσμευτεί περισσότερη, πατώντας ελαφρά την κεφαλή χλοοκοπτικού στο έδαφος, ενώ λειτουργεί το χλοοκοπτικό (Εικ. Q).

**ΣΗΜΕΙΩΣΗ:** Η αποδεσμείωση μεσινέζας θα είναι πιο δύσκολη όσο κονταίνει.

**⚠ ΠΡΟΕΙΔΟΠΟΙΗΣΗ:** Μην απομακρύνετε ή τροποποιείτε τη μονάδα λεπίδας μεσινέζας. Υπερβολικά μεγάλο μήκος μεσινέζας θα προκαλέσει υπερθέρμανση στον κινητήρα και μπορεί να προκύψει σοβαρός τραυματισμός.

### ΑΝΤΙΚΑΤΑΣΤΑΣΗ ΜΕΣΙΝΕΖΑΣ

**ΣΗΜΕΙΩΣΗ:** Χρησιμοποιείτε την προτεινόμενο νάιλον μεσινέζα με διάμετρο που δεν υπερβαίνει τα 2,4 mm. Η χρήση διαφορετικής μεσινέζας μπορεί να προκαλέσει υπερθέρμανση ή ζημιά στο χλοοκοπτικό με μεσινέζα.

**⚠ ΠΡΟΕΙΔΟΠΟΙΗΣΗ:** Μη χρησιμοποιείτε ποτέ μεσινέζα ενισχυμένη με μέταλλο, καλώδιο ή σχοινί. Αυτά μπορεί να σπάσουν και να εκτοξευθούν.

1. Αφαιρέστε τη συστοιχία μπαταριών.
2. Απομακρύνετε την υπόλοιπη μεσινέζα, εφόσον απαιτηθεί.
3. Κόψτε 4 m μεσινέζας και εισαγάγετέ την στην οπή τοποθέτησης μέσα στο οφθαλμίδιο (Εικ. R). Ωθήστε και τραβήξτε τη μεσινέζα από την άλλη πλευρά, μέχρι

να προκύψει το ίδιο μήκος μεσινέζας και στις δύο πλευρές του καρουλιού.

4. Πιέστε, ενώ περιστρέφετε το κάτω συγκρότημα καλύμματος στην κατεύθυνση βέλους, για να τυλίξετε τη μεσινέζα στο καρούλι, μέχρι να προεξέχουν περίπου 14 cm μεσινέζας σε κάθε πλευρά (Εικ. S).
5. Πιέστε το κάτω συγκρότημα καλύμματος προς κάτω, ενώ τραβάτε τις μεσινέζες για να προωθήσετε χειροκίνητα τη μεσινέζα και να ελέγξετε τη σωστή συναρμολόγηση της κεφαλής χλοοκοπτικού.

Εάν σπάσει η μεσινέζα στην έξοδο μεσινέζας ή η μεσινέζα δεν αποδεσμευτεί όταν χτυπηθεί η κεφαλή χλοοκοπτικού, ακολουθήστε τα κατωτέρω βήματα:

1. Πιέστε τις γλωπίδες αποδεσμείωσης στο άνω κάλυμμα και απομακρύνετε το κάτω συγκρότημα καλύμματος τραβώντας το ίσια προς τα έξω (Εικ. T και U).
2. Αφαιρέστε τη μεσινέζα από το καρούλι.
3. Κρατώντας με το ένα χέρι το συγκρότημα κάτω καλύμματος, χρησιμοποιήστε το άλλο χέρι για να πιάσετε το κάτω συγκρότημα καλύμματος και ευθυγραμμίστε τις γλωπίδες στο κάτω κάλυμμα με τις σπές στο κάτω συγκρότημα καλύμματος (Εικ. V). Χρησιμοποιήστε την παλάμη σας για να πιάσετε το κάτω συγκρότημα κάτω καλύμματος, μέχρι οι γλωπίδες να ασφαλιστούν με το άνω κάλυμμα.
4. Ακολουθήστε τις οδηγίες της ενότητας «ΑΝΤΙΚΑΤΑΣΤΑΣΗ ΜΕΣΙΝΕΖΑΣ» για να τοποθετήσετε νέα μεσινέζα.

### ΑΝΤΙΚΑΤΑΣΤΑΣΗ ΛΕΠΙΔΑΣ ΜΕ 3 ΔΟΝΤΙΑ

**ΣΗΜΕΙΩΣΗ:** Για την αποφυγή τραυματισμών, φοράτε γάντια πριν από κάθε εργασία στη λεπίδα 3 οδοντώσεων.

1. Αφαιρέστε το συγκρότημα κάτω καλύμματος, σύμφωνα με τις Εικ. T και U.
2. Εισαγάγετε τον σταθεροποιητή και χρησιμοποιήστε ένα σωληνωτό κλειδί για να ξεβιδώσετε το παξιμάδι, σύμφωνα με τις Εικ. X1 και X2.
3. Αφαιρέστε όλα τα εξαρτήματα, εκτός από την εσωτερική φλάντζα και το παξιμάδι (Εικ. X3), και τοποθετήστε τη λεπίδα πάνω στον άξονα κινητήρα, σύμφωνα με την Εικ. X4.
4. Σφίξτε τη λεπίδα, σύμφωνα με την Εικ. X5.

**⚠ ΠΡΟΕΙΔΟΠΟΙΗΣΗ:** Όταν κόβετε νέα βλάστηση ή άλλα ξύλινα υλικά διαμέτρου έως 2 εκ., χρησιμοποιείτε την αριστερή πλευρά της λεπίδας ώστε να αποφεύγετε καταστάσεις ανάκρουσης λεπίδας. Μην προσπαθείτε να κόβετε ξύλινα υλικά με μεγαλύτερη διάμετρο, καθώς η λεπίδα μπορεί να μαγκώσει ή το θαμνοκοπτικό μπορεί να πεταχτεί προς τα εμπρός. Αυτό μπορεί να προκαλέσει

ζημιά στη λεπίδα ή το θαμνοκοπτικό ή απώλεια του ελέγχου θαμνοκοπτικού, με αποτέλεσμα ατομικό τραυματισμό.

**ΣΗΜΕΙΩΣΗ:** Τροχίζετε εκ νέου τη λεπίδα τακτικά (όταν έχει στομύσει αισθητά) και, εφόσον απαιτηθεί, αναθέστε την ευθυγράμμισή της (αυτή η εργασία πρέπει να διεξάγεται από εξειδικευμένο τεχνικό του σέρβις).

## ΣΥΝΤΗΡΗΣΗ

**▲ ΠΡΟΕΙΔΟΠΟΙΗΣΗ:** Κατά τη συντήρηση του εργαλείου, χρησιμοποιείτε μόνο όμοια ανταλλακτικά. Ελέγχετε και συντηρείτε τακτικά τη μηχανή. Για να διασφαλιστεί η ασφάλεια και η αξιοπιστία, όλες οι επισκευές πρέπει να διεξάγονται από εξειδικευμένο τεχνικό σέρβις.

**▲ ΠΡΟΕΙΔΟΠΟΙΗΣΗ:** Προκειμένου να αποφευχθεί σοβαρός τραυματισμός, αποσυνδέστε τη συστοιχία μπαταριών από το εργαλείο πριν από τη συντήρηση, τον καθαρισμό, την αλλαγή προσαρτημάτων ή την αφαίρεση υλικού από τη μονάδα.

**▲ ΠΡΟΣΟΧΗ:** Τα εμπόδια στις σπές εμποδίζουν ροή του αέρα στο περιβλήμα κινητήρα και προκαλούν υπερθέρμανση ή τη ζημιά σε αυτόν.

## ΚΑΘΑΡΙΣΜΟΣ ΤΗΣ ΜΟΝΑΔΑΣ

- Καθαρίζετε τη μονάδα, χρησιμοποιώντας ένα νωπό πανί με ήπιο απορρυπαντικό. Δεν πρέπει να εισχωρήσουν υγρά στο εσωτερικό του εργαλείου. Μη βυθίζετε ποτέ οποιοδήποτε τμήμα του εργαλείου σε υγρά.
- Μη χρησιμοποιήσετε κανένα δραστικό απορρυπαντικό πάνω στο πλαστικό περίβλημα ή τη λαβή. Αυτά μπορούν να καταστραφούν από ορισμένα αρωματικά έλαια, όπως πεύκο και λεμόνι, καθώς και από διαλύτες, όπως η κηροζίνη. Η υγρασία μπορεί, επίσης, να προκαλέσει κίνδυνο ηλεκτροπληξίας. Σκουπίστε την ενδεχόμενη υγρασία με ένα μαλακό στεγνό πανί.
- Χρησιμοποιείτε μια μικρή βούρτσα ή την έξοδο αέρα μιας μικρής ηλεκτρικής αναροφητικής βούρτσας για να καθαρίσετε τις σπές αερισμού και το πίσω περίβλημα.
- Διατηρείτε πάντοτε τις σπές αερισμού στο περίβλημα κινητήρα και τον άξονα ελεύθερα από υπολείμματα.

## ΛΙΠΑΝΣΗ ΣΥΣΤΗΜΑΤΟΣ ΟΔΟΝΤΟΤΡΟΧΩΝ

Το σύστημα οδοντοτροχών στο κιβώτιο γραναζιών πρέπει να λιπαίνεται περιοδικά με το γράσο μειωτήρων. Ελέγχετε ανά περίπου 50 ώρες λειτουργίας τη στάθμη γράσου στο κιβώτιο γραναζιών, αφαιρώντας τη βίδα στεγανοποίησης στα πλάγια του κιβωτίου.

Εάν δεν φαίνεται γράσο στις πλευρικές επιφάνειες του μειωτήρα, ακολουθήστε τα παρακάτω βήματα για να συμπληρώσετε γράσο μειωτήρων έως την ένδειξη 3/4. Μην γεμίσετε έως πάνω το σύστημα οδοντοτροχών.

1. Κρατάτε το χλοοκοπτικό με μεσινέζα στα πλάγια, έτσι ώστε η βίδα στεγανοποίησης να βλέπει προς τα επάνω (Εικ. W).
2. Χρησιμοποιήστε το παρεχόμενο κλειδί πολλαπλών λειτουργιών για να λασκάρτε και να απομακρύνετε τη βίδα στεγανοποίησης.
3. Χρησιμοποιήστε μια σύριγγα γράσου (δεν περιλαμβάνεται) για να εισαγάγετε λίγο γράσο μέσα στην σπή βίδας. Μην υπερβείτε την ένδειξη 3/4.
4. Σφίξτε τη βίδα στεγανοποίησης μετά την έγχυση γράσου.

## ΑΠΟΘΗΚΕΥΣΗ ΤΗΣ ΜΟΝΑΔΑΣ

- Απομακρύνετε τη συστοιχία μπαταριών από το χλοοκοπτικό με μεσινέζα όταν δεν χρησιμοποιείται.
- Καθαρίστε σχολαστικά το εργαλείο προτού το αποθηκεύσετε.
- Αποθηκεύετε τη μονάδα σε έναν στεγνό, καλά αεριζόμενο χώρο, κλειδωμένο ή σε ψηλό σημείο, εκτός εμβέλειας παιδιών. Μην αποθηκεύετε τη μονάδα επάνω ή δίπλα σε λίπασματα, βενζίνη ή άλλες χημικές ουσίες.
- Τοποθετείτε τη θήκη λεπίδας στη λεπίδα 3 οδοντώσεων κατά τη μεταφορά και την αποθήκευση.

## Προστασία του περιβάλλοντος



Μη απορρίπτετε ηλεκτρικό εξοπλισμό, παλιές μπαταρίες και φορτιστές στα οικιακά απορρίμματα! Μεταφέρετε αυτό το προϊόν σε εξουσιοδοτημένο κέντρο ανακύκλωσης και παραδώστε το για ξεχωριστή συλλογή. Τα ηλεκτρικά εργαλεία πρέπει να επιστρέφονται σε περιβαλλοντικά συμβατή μονάδα ανακύκλωσης.

## ΑΝΤΙΜΕΤΩΠΙΣΗ ΠΡΟΒΛΗΜΑΤΩΝ

ΠΡΟΒΛΗΜΑ	ΑΙΤΙΑ	ΑΝΤΙΜΕΤΩΠΙΣΗ
Το χλοοκοπτικό με μεσινέζα δεν εκκινείται.	<ul style="list-style-type: none"> <li>■ Η συστοιχία μπαταριών δεν έχει προσαρτηθεί στο χλοοκοπτικό.</li> <li>■ Δεν υπάρχει ηλεκτρική επαφή μεταξύ του χλοοκοπτικού και της μπαταρίας.</li> <li>■ Η συστοιχία μπαταριών έχει αδειάσει.</li> <li>■ Το κουμπί ασφάλισης και η σκανδάλη δεν πατήθηκαν ταυτόχρονα.</li> </ul>	<ul style="list-style-type: none"> <li>■ Τοποθετήστε τη συστοιχία μπαταριών στο χλοοκοπτικό.</li> <li>■ Απομακρύνετε τη συστοιχία μπαταριών, ελέγξτε τις επαφές και εγκαταστήστε τη συστοιχία μπαταριών εκ νέου.</li> <li>■ Φορτίστε τη συστοιχία μπαταριών.</li> <li>■ Πιέστε το κουμπί απασφάλισης προς τα κάτω και διατηρήστε το πιεσμένο, και στη συνέχεια, πιέστε τη σκανδάλη για να ενεργοποιήσετε το χλοοκοπτικό μεσινέζας.</li> </ul>
Το χλοοκοπτικό με μεσινέζα σταματάει κατά την κοπή.	<ul style="list-style-type: none"> <li>■ Η καλύπτρα δεν έχει τοποθετηθεί στο χλοοκοπτικό με αποτέλεσμα μια εξαιρετικά μακριά μεσινέζα και την υπερφόρτωση του κινητήρα.</li> <li>■ Χρησιμοποιείται βαριά μεσινέζα.</li> <li>■ Ο άξονας κινητήρα ή η κεφαλή χλοοκοπτικού έχουν μπλοκάρει με γρασίδι.</li> <li>■ Ο κινητήρας έχει υπερφορτωθεί.</li> <li>■ Η συστοιχία μπαταριών ή το χλοοκοπτικό με μεσινέζα είναι υπερβολικά ζεστά.</li> <li>■ Η συστοιχία μπαταριών έχει αποσυνδεθεί από το εργαλείο.</li> <li>■ Η συστοιχία μπαταριών έχει αδειάσει.</li> </ul>	<ul style="list-style-type: none"> <li>■ Απομακρύνετε τη συστοιχία μπαταριών και τοποθετήστε την καλύπτρα στο χλοοκοπτικό.</li> <li>■ Χρησιμοποιείτε την προτεινόμενη νάιλον μεσινέζα με διάμετρο που να μην ξεπερνάει τα 2,4 mm.</li> <li>■ Απενεργοποιήστε το χλοοκοπτικό, απομακρύνετε τη μπαταρία και απομακρύνετε το γρασίδι από τον άξονα κινητήρα και την κεφαλή χλοοκοπτικού.</li> <li>■ Απομακρύνετε την κεφαλή χλοοκοπτικού από το γρασίδι. Ο κινητήρας θα συνεχίσει να λειτουργεί μόλις αφαιρεθεί το φορτίο. Κατά την κοπή μετακινείτε την κεφαλή χλοοκοπτικού μέσα και έξω από το γρασίδι που θα κοπεί και μην κόβετε σε μήκος πάνω από 20 cm με μια μόνο κοπή.</li> <li>■ Αφήστε να κρυώσει η συστοιχία μπαταριών ή το χλοοκοπτικό, μέχρι να πέσει κάτω από τους 67°C η θερμοκρασία.</li> <li>■ Επανεγκαταστήστε τη συστοιχία μπαταριών.</li> <li>■ Φορτίστε τη συστοιχία μπαταριών.</li> </ul>

ΠΡΟΒΛΗΜΑ	ΑΙΤΙΑ	ΑΝΤΙΜΕΤΩΠΙΣΗ
Η κεφαλή χλοοκοπτικού δεν προωθεί τη μεσινέζα.	<ul style="list-style-type: none"> <li>■ Ο άξονας κινητήρα ή η κεφαλή χλοοκοπτικού έχουν μπλοκάρει με γρασίδι.</li> <li>■ Δεν υπάρχει επαρκής μεσινέζα στο καρούλι.</li> <li>■ Η κεφαλή χλοοκοπτικού είναι βρώμικη.</li> <li>■ Η μεσινέζα έχει μπλοκάρει στο καρούλι.</li> <li>■ Η μεσινέζα είναι υπερβολικά κονή.</li> </ul>	<ul style="list-style-type: none"> <li>■ Απενεργοποιήστε το χλοοκοπτικό, απομακρύνετε τη μπαταρία και καθαρίστε τον άξονα κινητήρα και την κεφαλή χλοοκοπτικού.</li> <li>■ Αφαιρέστε την μπαταρία και αντικαταστήστε τη μεσινέζα. Ακολουθήστε τις οδηγίες της ενότητας «ΑΝΤΙΚΑΤΑΣΤΑΣΗ ΜΕΣΙΝΕΖΑΣ» στο παρόν εγχειρίδιο.</li> <li>■ Αφαιρέστε την μπαταρία και καθαρίστε την κεφαλή χλοοκοπτικού.</li> <li>■ Αφαιρέστε την μπαταρία, αφαιρέστε τη μεσινέζα από την κεφαλή χλοοκοπτικού και ξανατυλίξτε. Ακολουθήστε τις οδηγίες της ενότητας «ΕΠΑΝΑΦΟΡΤΩΣΗ ΤΟΥ ΝΗΜΑΤΟΣ ΚΟΠΗΣ» στο παρόν εγχειρίδιο.</li> <li>■ Απομακρύνετε τη μπαταρία και τραβήξτε τη μεσινέζα με το χέρι, ενώ πιέζετε προς τα κάτω και αποδεσμεύετε διαδοχικά την κεφαλή χλοοκοπτικού.</li> </ul>
Τυλίγεται γρασίδι γύρω από την κεφαλή χλοοκοπτικού και το περιβλήμα κινητήρα.	<ul style="list-style-type: none"> <li>■ Κοπή ψηλού γρασιδιού σε επίπεδο εδάφους.</li> </ul>	<ul style="list-style-type: none"> <li>■ Κόβετε ψηλό γρασίδι από επάνω προς τα κάτω, απομακρύνοντας όχι περισσότερα από 20 cm σε κάθε διέλευση, ώστε να εμποδίσετε την τύλιξη.</li> </ul>
Ρωγμές στην κεφαλή χλοοκοπτικού ή το συγκρότημα κάτω καλύμματος αποδεσμεύεται από ο επάνω κάλυμμα.	<ul style="list-style-type: none"> <li>■ Η κεφαλή χλοοκοπτικού έχει φθαρεί.</li> </ul>	<ul style="list-style-type: none"> <li>■ Αναθέστε αμέσως την αντικατάσταση της κεφαλής χλοοκοπτικού σε εξειδικευμένο τεχνικό σέρβις.</li> </ul>

## ΕΓΓΥΗΣΗ

GR

### ΠΟΛΙΤΙΚΗ ΕΓΓΥΗΣΗΣ EGO

Επισκεφθείτε την ιστοσελίδα [egopowerplus.eu](http://egopowerplus.eu) για όλους τους όρους και τις προϋποθέσεις της πολιτικής εγγύησης EGO.

## TÜM TALIMATLARI OKUYUN!



**KULLANIM KILAVUZUNU OKUYUN**



Güvenlik Uyarısı



Koruyucu Gözlük Takın



Metal bıçak kullanmayın



Makine ile çevredeki insanlar arasında en az 15 m mesafe olmalıdır.



Misina çapı - Naylon misininin çapıdır.



Bu ürün, yürürlükteki AB yönetmeliklerine uygundur.



Atık elektrikli ürünler, evsel atıklar ile birlikte bertaraf edilmemelidir. Yetkili bir geri dönüşüm merkezine teslim edin.

V Voltaj

.../min Dakika Başına

kg Kilogram

## GÜVENLİK SEMBOLLERİ

**⚠ UYARI:** Elektrikli aletlerin kullanımı yabancı nesnelerin gözlerinize fırlatılması sonucunu doğurabilir, bu da gözlerde ciddi hasara yol açabilir. Elektrikli aleti kullanmaya başlamadan önce, daima göz koruması veya yan siperleri olan koruyucu gözlük takın ve gerektiğinde tam yüz siperi kullanın. Gözlük üzerine kullanım için Wide Vision Koruyucu Maske ya da yan siperleri olan standart koruyucu gözlükleri tavsiye ederiz.



Kullanım Kılavuzunu Okuyun ve Anlayın



Kulak Koruması Takın



Fırlayan nesnelere dikkat edin



Bakım yapmadan önce aküyü çıkarın



Kesme genişliği - Ot biçme makinesinin maksimum kesme genişliğidir.



Bu ürün, yürürlükteki Birleşik Krallık yasalarına uygundur.



Garanti edilen ses gücü seviyesidir. Çevre gürültü emisyonu Avrupa Birliği Yönetmeliği'ne uygundur.

$n_0$  Yüksüz Hız - Yüksüz dönüş hızı

⚡ Doğru Akım

IPX4 Sıçrayan Suya Karşı Koruma

TR

## TEKNİK ÖZELLİKLER

	Kesme kafası	3-dişli bıçak	
Voltaj	56 V ---	56 V ---	
Tavsiye Edilen Çalışma Sıcaklığı:	0°C-40°C		
Tavsiye Edilen Depolama Sıcaklığı:	-20°C-70°C		
Optimum Şarj Sıcaklığı	5°C-40°C		
Yüksüz hız	5000/6000 dak <sup>-1</sup>	5000/6000 dak <sup>-1</sup>	
Kesim misinası türü	2,4 mm	/	
Kesme bıçağı	/	ABB1203	
Kesim Genişliği	38 cm	30cm	
Ağırlık (akü hariç)	4,21 kg	4,45 kg	
Ölçülen ses güç düzeyi L <sub>WA</sub>	94,6 dB(A) K=1,8 dB(A)	96,5 dB(A) K=1,88 dB(A)	
Operatörün duyduğu ses güç düzeyi L <sub>PA</sub>	81,7 dB(A) K=2,5 dB(A)	76,5 dB(A) K=3 dB(A)	
Garantili ses gücü seviyesi L <sub>WA</sub> (2000/14/EC'ye göre)	96 dB(A)	98 dB(A)	
Titreşim a <sub>h</sub>	Ön Yardım Kolu	3,2 m/sn <sup>2</sup> K=1,5 m/sn <sup>2</sup>	2,8 m/sn <sup>2</sup> K=1,5 m/sn <sup>2</sup>
	Arka Kol	2,3 m/sn <sup>2</sup> K=1,5 m/sn <sup>2</sup>	3,1 m/sn <sup>2</sup> K=1,5 m/sn <sup>2</sup>

- Bildirilen toplam titreşim değeri standart test yöntemine uygun olarak ölçülmüştür ve bir cihazı diğer bir cihaz ile karşılaştırmak için kullanılabilir.
- Bildirilen toplam titreşim değeri ayrıca ön maruz kalma değerlendirmesinde de kullanılabilir.

**DİKKAT:** Elektrikli aletin gerçek kullanımı sırasında meydana gelen titreşim emisyonu aletin kullanım şekline bağlı olarak bildirilen değerden farklı olabilir; Operatörü korumak için, kullanıcı gerçek kullanım koşullarında eldiven ve kulak koruması takmalıdır.

## AÇIKLAMA

### MİSİNALI ÇİM BİÇME MAKİNESİNİZİ TANIYIN (Şek. A1)

1. Sınır Halkası
2. Tetik

3. Arka Kol
4. Hava Girişi
5. Kilit Açma Düğmesi
6. Yüksek/düşük Hız Anahtarları
7. Omuz-Kayıışı Asma Askısı
8. Ayarlanabilir Ön Yardım Kolu
9. Omuz Askısı
10. Çok İşlevli Anahtar
11. Alyen Anahtar
12. Çim Biçme Makinesi Başlığı (Çarpma Başı)
13. Kesim Misinası
14. Açma Tırnağı
15. Misina Kesme Bıçağı
16. Koruyucu
17. Çıkarma Mekanizması
18. Elektrik Kontaktları
19. Mandal
20. Kauçuk Ped Koruma
21. Akü Çıkarma Düğmesi
22. Güvenlik bariyeri çubuğu (Sadece fırçalı kesici kafası için)
23. Güvenlik bariyeri için kilitleme pimi (Sadece fırçalı kesici kafası için)
24. Dış flanş (Sadece fırçalı kesici kafası için)
25. Somun (Sadece fırçalı kesici kafası için)
26. Vidalar (Sadece fırçalı kesici kafası için)

## PAKET LİSTESİ

PARÇA ADI	MİKTAR
Misinalı Çim Biçme Makinesi	1
Koruyucu	1
Ön yardımcı kol montajı	1
Alyen anahtar	1
Çok işlevli anahtar	1
Omuz askısı	1
Kullanma kılavuzu	1
Kilitleme pimi	1
Dış flanş	1
Somun	1
vida	2

TR

## MONTAJ

**⚠ UYARI:** Hasarlı veya eksik parça varsa bu parçalar değiştirilinceye kadar ürünü çalıştırmayın. Bu ürünün hasarlı veya eksik parçalar ile kullanılması ciddi yaralanmalara yol açabilir.

**⚠ UYARI:** Bu ürün üzerinde değişiklik yapmaya veya bu ot biçme makinesi ile kullanılması önerilmeyen aksesuarlar oluşturmaya çalışmayın. Bu tür değişiklikler veya modifikasyonlar hatalı kullanımdır ve ciddi yaralanmalara neden olabilen tehlikeli bir duruma sebep olabilir.

**⚠ UYARI:** Ciddi kişisel yaralanmalara neden olabilen yanlışlıkla çalışmayı önlemek için parçaları monte ederken aküyü mutlaka makineden çıkarın.

**⚠ UYARI:** Makinede çalı kesici başlığı varsa, emniyet bariyeri çubuğu monte edilmelidir.

## KORUMANIN TAKILMASI

**⚠ UYARI:** Siperi monte ederken veya değiştirirken daima eldiven takın. Siper üzerindeki bıçağa ve elinizin kesilmesine dikkat edin.

**⚠ UYARI:** Siper düzgün şekilde takılı değilken asla makineyi kullanmayın. Siper, kullanıcıyı korumak için daima makineye takılı durumda olmalıdır! Siper takılıyken, asla siperi çıkarmaya veya ayarlamaya çalışmayın, değiştirilmesi gerekirse, yetkili bir servis teknisyeni tarafından gerçekleştirilmelidir!

1. Korumadaki iki vidayı gevşetin ve çıkarın (Şek. B).
2. Koruyucu montaj delikleri ile montaj deliklerini hizalayın ve iki yaylı rondela ile birlikte iki vida yardımıyla koruyucuyu mil tabanına sabitleyin (Şek. C).

**DİKKAT:** Koruyucunun Şek. B ve C'ye uygun olarak monte edildiğinden emin olun, hatalı bir montaj büyük tehlikeye yol açar!

TR

## ÖN YARDIM KOLONUN TAKILMASI VE AYARLANMASI

1. Ön yardım kolundaki kilitleme pimini gevşetin ve kilitleme pimini ve kelebek somunu ön yardım kolundan çıkarın (Şek. D).

**DİKKAT:** Alet, fırçalı kesici kafası ile donatıldığında, güvenlik bariyer çubuğu aksamını iki vidayla halka koluna takın.

**DİKKAT:** İki tür kilitleme pimi vardır, daha kısa olanı çim biçme makinesi başlığı içindir. Uzun olanı fırçalı kesici kafası ile kullanım içindir. Aleti kullanırken doğru kilitleme pimini seçmeye dikkat edin.

D-1	Ön yardım kolu	D-4	Güvenlik bariyeri çubuğu (Sadece fırçalı kesici kafası için)
D-2	Mengene bloğu	D-5	Kilitleme pimi
D-3	Kelebek somunu		

2. Ön kolu, sınır halkasının önündeki şafta doğru itin. Asla sınır halkası ve arka tutma alanı arasında yerleştirmeyin (Şek. E).
3. Kol yuvasına sıkıştırma bloğunu sokun (Şek. F).
4. Kilitleme pimini monte edin ve kelebek somunu ile bunları önceden sıkın. Ön ayar kolunun yukarı doğru durduğundan ve arka tutma yerinin üstüne doğru baktığından emin olun (Şek. G).
5. Çalışma esnasında ön kolunuzun düz olduğundan emin olmak için sınır halkası ve etiket arasındaki ön yardım kolunu ayarlayın (Şek. H).
6. Kilitleme piminin kolunu kilitleyin. (Şek. I).

**⚠ UYARI:** Ön yardım kolu güvenli bir şekilde monte edilmeden aleti kullanmayın.

## OMUZ ASKISININ MONTAJI

Güvenli ve daha iyi kullanım için omuz askısını bir omuzunuz üzerinden ve sırtınızdan geçirin.

1. Askı kancasına basarak açın ve omuz askısının monte edildiği askıya takın (Şek. J).
2. Omuz askısı uzunluğunu ve yerleşimini rahat bir çalışma konumuna ayarlayın. Biçme makinesini bir elinizle arka tutma kolundan ve diğer elinizle de ön tutma kolundan olacak şekilde iki elinizle tutun.

**⚠ UYARI:** Acil bir durumda, askıyı hangi şekilde takılı olursa olsun derhal omuzunuzdan çıkarın.

Tek omuz askısını ve çift omuz askısını aynı anda kullanmamalısınız.

Askıyı takarken, başka hiçbir giysi askının serbest bırakılmasını ve çıkarılmasını engellememelidir.

## ÇALIŞMA

**⚠ UYARI:** Her zaman işite korumasının yanı sıra emniyet gözlükleri veya yan korumalı emniyet gözlükleri kullanın. Böyle yapılmaması sonucu gözlerinize fırlayan nesnelere ciddi kişisel yaralanmalara neden olabilir.

Bu ürünü aşağıda listelenen amaçlar için kullanabilirsiniz:

**Budama:** duvar, çit, ağaç ve kenarlıklarda bulunan çim ve otların temizlenmesi için kullanılır.



**Kesim:** normal çim biçme makinesi ile ulaşılması zor olan çimlerin kesilmesi için kullanılır.

**DİKKAT:** Makine sadece belirtilen kullanım amacına uygun kullanılmalıdır. Diğer kullanım şekilleri, örneğin kenar budama, hatalı kullanım olarak kabul edilir.

## AKÜNÜN TAKILMASI/ÇIKARILMASI

Sadece şek. A2'da listelenen pil paketi ve şarj cihazlarını kullanın.

## İlk kullanımdan önce tamamen şarj edin

### Takmak için

Akünün çıkıntıları ile montaj yuvalarını hizalayın ve "tık" sesi duyuncaya kadar aküyü aşağıya bastırın (Şek. K).

### Çıkarmak için

Şek. L'de gösterildiği gibi akü çıkarma düğmesine basın ve aküyü çekip çıkarın.

L-1	Akü Çıkarma Düğmesi
-----	---------------------

## MİSİNALI ÇİM BİÇME MAKİNESİNİN TUTULMASI

Güvenli ve daha iyi çalıştırma için, Şek. N'de gösterildiği gibi omuz askısını omzunuza takın. Omuz askısını rahat bir çalışma konumunda olacak şekilde ayarlayın. Misinalı çim biçme makinesini her iki elinizle tutun: Bir eliniz arka tutma sapında ve diğer eliniz ön destek kolunda olmalıdır.

**DİKKAT:** Kesim başlığı operatör eğilmeden uygun kesim mesafesinde yere paralel olacak şekilde tutulmalıdır (Şek. N).

Askıyı çıkarmak için iki yöntem vardır. Doğrudan omzunuzdan çıkarın (Şek. O) veya kayışın kancasına bastırarak mil üzerine takılı omuz kayışı asma askısından ayırın (Şek. P).

**⚠ UYARI:** Omuz askısı ayrıca tehlikeli durumlarda hızla çıkarılabilen bir mekanizmadır. Acil bir durumda, askıyı hangi şekilde takılı olursa olsun derhal omzunuzdan çıkarın.

## MİSİNALI ÇİM BİÇME MAKİNESİNİ ÇALIŞTIRMA/ DURDURMA (Şek. M)

### Çalıştırmak için

Kilitleme kolunu bastırın, ardından tetik düğmesine basın. Tetiğe farklı baskı düzeylerinde basılması kesim misinasının farklı dönüş hızlarında dönmesini sağlar. Ne kadar güçlü basılırsa hız o kadar artar.

### Durdurmak için

Tetiği bırakın.

**DİKKAT:** Motor sadece kilitleme düğmesi ve tetiğin her ikisi de basıldığında çalışır.

## Hız Ayar Fonksiyonu (Şek. M)

Misinalı çim biçme makinesinde iki hız ayarı vardır. "1" pozisyonu düşük hız için, "2" pozisyonu ise yüksek hız içindir.

M-1	Yüksek/düşük Hız Anahtarı
M-2	Kilit Açma Düğmesi
M-3	Tetik

## MİSİNALI ÇİM BİÇME MAKİNESİNİN KULLANIMI

Her kullanımdan önce kesilecek alanı temizleyin. Kesim parçalarına takılabilecek veya fırlatılabilecek taş, kırık cam, çivi, tel veya sicim vb. tüm nesnelere temizleyin. Çocukları, üçüncü şahısları ve evcil hayvanları çalışma alanından uzak tutun. Çocukları, üçüncü şahısları ve evcil hayvanları çalışma alanından en az 15 metre uzak tutun; buna rağmen üçüncü şahısların fırlayan nesnelere yaralanma riski olabilir. Üçüncü şahısların göz koruması kullanmaları önerilir. Çalışırken yanınıza yaklaşan kimselerin olması durumunda derhal motoru ve kesici parçaları durdurun.

## Her kullanımdan önce hasarlı/aşınmış parça olup olmadığını kontrol edin

Çarpma başlığını, koruyucuyu ve ön yardım kolunu kontrol edin ve çatlak, kırılmış, eğik veya hasarlı kesim parçalarını değiştirin.

Koruyucunun kenarındaki misina kesim bıçağı zamanla körelebilir. Düzenli olarak bir ege ile bilemeniz veya yenisiyle değiştirmeniz önerilir.

**⚠ UYARI:** Siperi takarken veya değiştirirken ya da misina kesme bıçağını bilerken veya değiştirirken daima eldiven giyin. Bıçağın siper üzerindeki konumuna dikkat edin ve ellerinizi yaralanmalara karşı koruyun.

## Biçme başlığında tıkanma olup olmadığını kontrol edin

- Tıkanmayı önlemek için biçme başlığını temiz tutun. Her kullanımdan önce ve sonra çim kırpıntılarını, yaprakları, kiri ve birikmiş diğer kalıntıları temizleyin.
- Tıkanma meydana geldiğinde ot biçme makinesini durdurun ve aküyü çıkarın, ardından motor miline veya biçme başlığına dolanmış olabilecek çimleri temizleyin.

## Her kullanımın ardından, çim biçme makinesini temizleyin.

## KESİM MİSİNASI UZUNLUĞUNUN AYARLANMASI

Çim biçme makinesi başlığı operatörün motoru durdurmayı

TR

gerek kalmadan kesim ipini salmasına olanak sağlar. Misina aşırın veya yıpranır, çim biçme makinesi çalışır durumdayken çim biçme başlığını hafifçe yere vurarak biraz daha misina salmak mümkündür (Şek. Q).

**DİKKAT:** Kesim misinası kısıldıkça misinanın salınması zorlaşır.

**UYARI:** Misina kesim bıçak donanımını çıkarmayın veya değiştirmeyin. Aşırı uzun kesim ipi motorun aşırı ısınmasına neden olabilir ve ciddi kişisel yaralanmaya yol açabilir.

## MİSINANIN DEĞİŞTİRİLMESİ

**DİKKAT:** Daima 2,4 mm'yi aşmayan bir çapa sahip naylon kesim misinası kullanılması önerilir. Belirtilenin dışında kesim misinası kullanımı kesim makinesinin aşırı ısınmasına veya hasar görmesine neden olabilir.

**UYARI:** Asla metal takviyeli misina, tel, ip, vb. malzeme kullanmayın. Bunlar koparak tehlikeli biçimde fırlatılabilir.

1. Aküyü çıkarın.
2. Gerekirse, kalan kesim ipini çıkarın.
3. 4m'lik misinayı kesin ve misinayı halka içindeki montaj deliğine yerleştirin (Şek. R). Makaranın her iki tarafında eşit miktarda misina oluncaya kadar misinayı itin ve diğer taraftan çekin.
4. Alt kapak aksamını bastırarak ok yönünde çevirin ve her iki tarafta yaklaşık 14cm misina görününceye kadar misinayı makara üzerine sarın (Şek. S).
5. Alt kapak aksamını aşağı bastırarak misinaları çekin ve kesim başlığının düzgün monte edildiğini kontrol etmek için manuel olarak ilerletin.

Kesim misinası çıkış noktasından kırıldığında veya çim biçme başlığına dokunulduğunda kesim misinası salınmazsa, aşağıdaki adımları izleyin:

1. Üst kapak üzerindeki açma tımaclarına bastırın ve alt kapak aksamını çekerek çıkarın (Şek. T ve U).
2. Makaradan misinayı çıkarın.
3. Alt kapak aksamını bir elinizle tutarak diğer elinizle alt kapak aksamını kavrayın ve üst kapaktaki sekmeleri alt kapak aksamındaki deliklerle hizalayın (Şek. V); avucunuzu sekmeler üst kapağa kilitlenene kadar alt kapak aksamına bastırarak için kulanın.
4. "MİSINANIN DEĞİŞTİRİLMESİ" bölümündeki talimatları izleyerek tekrar misinayı takın.

## 3 DİŞLİ BİÇAĞIN DEĞİŞTİRİLMESİ

**DİKKAT:** Yaralanmalara karşı korunmak için, 3 dişli bıçakla herhangi bir işlem yapmadan önce eldiven giymeniz gerekir.

1. Alt kapak aksamını Şek. T ve U'daki gibi çıkarın.
2. Dengeleyiciyi takın ve ardından somunu Şekil X1 ve X2'deki gibi gevşetmek için bir somun anahtarını kullanın.
3. İç flanş ve somun dışındaki tüm parçaları çıkarın (Şek. X3), bıçağı motor miline Şek. X4'te gösterildiği gibi monte edin.
4. Bıçağı Şek. X5'teki gibi sıkın.

**UYARI:** 2 cm'ye kadar çapa sahip genç ağaç/çalılar veya diğer ağaçsı bitkileri keserken bıçağın kuvvetle itilmesini önlemek için bıçağın sol tarafını kullanın. Bıçak sıkışabileceği veya çalı kesiciyi ileri fırlatabileceği için daha büyük çapa sahip ağaçsı bitkileri kesmeye çalışmayın. Aksi takdirde bıçak veya çalı kesici hasar görebilir veya çalı kesici kontrolü kaybedilerek kişisel yaralanmalar meydana gelebilir.

**DİKKAT:** Bıçağı düzenli olarak bileyin (belirgin bir şekilde köreltiğinde) ve gerekirse balans ayarını yapın (uzman bir servis teknisyeni tarafından gerçekleştirilir).

## BAKIM

**UYARI:** Bakım yaparken sadece aynı olan yedek parçaları kullanın. Makineyi düzenli olarak kontrol edin ve bakımını yapın. Emniyet ve güvenilirliği sağlamak için tüm tamir işleri uzman bir servis teknisyeni tarafından yapılmalıdır.

**UYARI:** Ciddi kişisel yaralanmaları önlemek için, eklenti parçalara bakım veya onarım, temizlik, değişim yapmadan veya makineden malzeme çıkarmadan önce plı takımını çıkarın.

**DİKKAT:** Hava deliklerindeki tıkanıklıklar motor gövdesindeki hava akımını engelleyerek aşırı ısınmaya ve motor hasarına neden olabilir.

## CİHAZIN TEMİZLENMESİ

- Cihazı nemli bir bez ve yumuşak deterjanla temizleyin. Asla cihaza su girmesine izin vermeyin; aletin herhangi bir parçasını sıvıya daldırmayın.
- Plastik gövde veya tutma sapı üzerinde güçlü deterjanlar kullanmayın. Çam ve limon gibi belirli aromatik yağlar ve kerosen gibi çözücü maddeler bu yüzeylere zarar verebilir. Nem nedeniyle elektrik çarpması tehlikesi oluşabilir. Yumuşak kuru bir bezle nemli yerleri silin.
- Arka gövdedeki hava deliklerini temizlemek için küçük bir fırça veya elektrikli süpürgeci hava çıkışı kullanın.
- Motor gövdesindeki hava deliklerinin her zaman temiz kalmasını sağlayın.

### TRANSMİSYON DİŞLİLERİNİN YAĞLANMASI

Dişli kutusundaki transmisyon dişlileri periyodik olarak dişli gres yağı ile yağlanmalıdır. Dişli kutusunun gres seviyesini her 50 saatlik çalışmada bir kutunun yanındaki sızdırmazlık vidasını sökerek kontrol edin.

Dişli kenarlarında hiçbir gres görülemezse, aşağıdaki adımları izleyerek dişliye 3/4 kapasiteye kadar gres basın. Transmisyon dişlilerini tamamen doldurmayın.

1. Çim biçme makinesini, sızdırmazlık vidası yukarı bakacak şekilde yana yatırın (Şek. W).
2. Verilen çok işlevli anahtarı kullanarak sızdırmazlık vidasını gevşetin ve sökün.
3. Vida deliğine az miktarda gres enjekte etmek için bir gres şırıngası (ürüne dahil değildir) kullanın; 3/4'lük kapasiteyi aşmayın.
4. Enjeksiyondan sonra sızdırmazlık vidasını sıkın.

### CİHAZIN SAKLANMASI

- Kullanılmadığı zamanlarda, aküyü misinali çim biçme makinesinden çıkarın.
- Cihazı saklamadan önce tamamen temizleyin.
- Cihazı çocukların ulaşamayacağı kuru, iyi havalandırılmış, kilitli veya yüksek bir yerde muhafaza edin. Gübre, benzin veya diğer kimyasal maddelerin yanında saklamayın.
- Taşıma ve depolama sırasında bıçak kılıfını 3 dişli bıçağa takın.

### Çevre koruması



Elektrikli cihazları, kullanılmış aküyü ve akü şarj cihazını evsel atıklarla birlikte atmayın! Bu ürünü yetkili bir geri dönüşümcüye götürün ve ayrı bir şekilde toplanmasını sağlayın. Elektrikli aletler çevreyle uyumlu bir geri dönüşüm tesisine götürülmelidir.

**TR**

## SORUN GİDERME

SORUN	SEBEP	ÇÖZÜM
Misinalı çim biçme makinesi başlatılmıyor.	<ul style="list-style-type: none"><li>■ Akü, çim biçme makinesine takılı değil.</li><li>■ Çim biçme makinesi ile akü arasında elektrik teması yok.</li><li>■ Akü boşalmış.</li><li>■ Kilitleme düğmesi ve tetiğe aynı anda basılmıyor.</li></ul>	<ul style="list-style-type: none"><li>■ Aküyü çim biçme makinesine takın.</li><li>■ Aküyü çıkarın, temas noktalarını kontrol edin ve aküyü yeniden takın.</li><li>■ Aküyü şarj edin.</li><li>■ Kilitleme düğmesini basılı tutun, ardından tetik düğmesine basarak misinalı çim biçme makinesini çalıştırın.</li></ul>
Misinalı çim biçme makinesi kesim yaparken duruyor.	<ul style="list-style-type: none"><li>■ Çim biçme makinesine koruyucu takılmamış, sonuç olarak aşırı uzun kesim misinası ve motorun aşırı ısınması söz konusu.</li><li>■ Ağır kesim misinası kullanılıyor.</li><li>■ Motor mili veya çim biçme başlığı çimler nedeniyle tutukluk yapıyor.</li><li>■ Motora aşırı yüklenilmiş.</li><li>■ Akü veya misinalı çim biçme makinesi çok sıcak.</li><li>■ Akü ile aletin bağlantısı kesilmiş.</li><li>■ Akü boşalmış.</li></ul>	<ul style="list-style-type: none"><li>■ Aküyü çıkarın ve koruyucuyu çim biçme makinesine monte edin.</li><li>■ Çapı en fazla 2,4 mm olan naylon kesim misinası kullanmanız önerilir.</li><li>■ Çim biçme makinesini durdurun, aküyü çıkarın ve motor mili ve çim biçme başlığındaki çimleri temizleyin.</li><li>■ Çim biçme başlığını çimlerden kaldırın. İş yükü kalkmaz motor eskisi gibi çalışacaktır. Kesim yaparken, çim biçme başlığını kesilecek çimlerde içeri dışarı hareket ettirin ve tek bir kesimde en fazla 20 cm uzunlukta kesim yapın.</li><li>■ Pili paketi veya çim biçme makinesinin 67°C'nin altına düşene kadar soğumasını bekleyin.</li><li>■ Aküyü yeniden takın.</li><li>■ Aküyü şarj edin.</li></ul>

SORUN	SEBEP	ÇÖZÜM
Çim biçme başlığı misinayı ilerletmiyor.	<ul style="list-style-type: none"><li>Motor mili veya çim biçme başlığı çimler nedeniyle tutukluk yapıyor.</li><li>Makarada yeterli misina yok.</li><li>Çim biçme başlığı kirlidir.</li><li>Misina makara tutucuya dolanmış.</li><li>Misina çok kısa.</li></ul>	<ul style="list-style-type: none"><li>Çim biçme makinesini durdurun, aküyü çıkarın ve motor mili ve çim biçme başlığını temizleyin.</li><li>Aküyü çıkarın ve bu kılavuzdaki "MİSİNANIN DEĞİŞTİRİLMESİ" bölümünü izleyerek kesim misinasını değiştirin.</li><li>Aküyü çim biçme makinesinin başlığından çıkarın.</li><li>Aküyü çıkarın ve bu kılavuzdaki "MİSİNANIN TAKILMASI" bölümünü izleyerek misinayı çim biçme makinesinin kafasından çıkarın ve yeniden sarın.</li><li>Aküyü elle çıkarın ve ardı ardına makine kafasına basarak ve serbest bırakarak misinaları çekin.</li></ul>
Çimler, çim biçme başlığının etrafına ve motor gövdesine doluyor.	<ul style="list-style-type: none"><li>Uzun çimler zemin seviyesinde kesiliyor.</li></ul>	<ul style="list-style-type: none"><li>Uzun çimleri üstten alta doğru kesin, dolanmayı önlemek için her geçişte en fazla 20 cm kesin.</li></ul>
Çim biçme başlığında çatlaklar mevcut veya alt kapak aksamı üst kapaktan gevşemiş.	<ul style="list-style-type: none"><li>Çim biçme başlığı aşınmış.</li></ul>	<ul style="list-style-type: none"><li>Çim biçme başlığının derhal bir yetkili servis teknisyeni tarafından değiştirilmesini sağlayın.</li></ul>

## GARANTİ

### EGO GARANTİ POLİTİKASI

EGO Garanti politikasına ilişkin tüm hüküm ve koşullar için, lütfen [egopowerplus.eu](http://egopowerplus.eu) adresindeki web sitemizi ziyaret edin.

TR

## LUGEGE KÕIKI JUHISEID!



### LUGEGE KASUTUSJUHENDIT



Ohutusteade



Kandke kaitseprille



Ärge kasutage metallist teri



Vahemaa seadme ja kõrvaliste isikute vahel peab olema vähemalt 15 m.



Jõhvi diameeter - nailonist lõikejõhvi läbimõõt



Toode vastab rakendatavatele EÜ direktiividele.



Elektriseadmete jäätmeid ei tohi visata olmejäätmete hulka. Viige volitatud taaskäitleja juurde.

V Pinge

.../min Minutis

ET

kg Kilogramm

## OHUTUSSÜMBOLID



**HOIATUS!** Mis tahes elektriliste tööriistade kasutamine võib põhjustada vöörkehade paiskumist silma, mis võib põhjustada raskeid silmakahjustusi. Kandke elektriliste tööriistade kasutamise ajal alati kaitseprille või külgkaitsetega kaitseprille ja vajadusel täielikku näokaitset. Soovitame kanda prillide peal laia vaatealaga kaitsemaski või tavalisi külgkaitsetega kaitseprille.



Lugege kasutusjuhend läbi ja tehke see endale selgeks



Kasutage kuulmiskaitsevahendeid



Hoiduge viskuvate esemete eest



Enne hooldust ühendage aku lahti



Lõikealauis - jõhvtrimmeri maksimaalne lõikeulatus



See toode vastab asjakohastele UK seadustele.



Garanteeritud helivõimsuse tase. Seadme müra keskkonnas on Euroopa Ühenduse direktiiviga vastavuses.

$n_0$  Tühikäigu pöörlemiskiirus, koormuseta

≡ Alalisvool

IPX4 Kaitse pritsmevee eest

## SPETSIFIKATSIOONID

	Trimmeripea	3-teraline lõiketera
Pinge	56 V $\overline{\text{---}}$	56 V $\overline{\text{---}}$
Soovituslik töökeskkonna temperatuur:	0°C-40°C	
Soovituslik hoiustamise temperatuur:	-20°C-70°C	
Optimaalne laadimis-temperatuur	5°C-40°C	
Tühikäigu kiirus	5000/6000 min <sup>-1</sup>	5000/6000 min <sup>-1</sup>
Lõikejõhvi tüüp	2,4 mm	/
Lõiketera	/	ABB1203
Lõikelaius	38 cm	30cm
Kaal (ilma akuplokita)	4,21 kg	4,45 kg
Mõõdetud helivõimsuse tase L <sub>WA</sub>	94,6 dB(A) K=1,8 dB(A)	96,5 dB(A) K=1,88 dB(A)
Helirõhk seadme operaatori kõrva juures L <sub>PA</sub>	81,7 dB(A) K=2,5 dB(A)	76,5 dB(A) K=3 dB(A)
Garanteeritud helivõimsuse tase L <sub>WA</sub> (vastavalt direktiivile 2000/14/EÜ)	96 dB(A) 98 dB(A)	
Vibratsioon a <sub>h</sub>	Eesmine abikäepide	3,2 m/s <sup>2</sup> K=1,5 m/s <sup>2</sup>
	Tagumine käepide	2,3 m/s <sup>2</sup> K=1,5 m/s <sup>2</sup>
		2,8 m/s <sup>2</sup> K=1,5 m/s <sup>2</sup>

- Esitatud vibratsioonitaseme näit on mõõdetud standardsete testmeetodite kohaselt ja seda võidakse kasutada erinevate tööriistade võrdlemiseks.
- Esitatud vibratsioonitaseme näitu võib kasutada ka alge kokkupuutehinnangu andmiseks.

**MÄRKUS!** Tegelikul kasutamisel tekkiv vibratsioonitase võib esitatust erineda; turvalisuse eesmärgil peaks seadme kasutaja tegelikes kasutustingimustes kandma kindaid ja kuulmiskaitseid.

## KIRJELDUS

### TUNNE OMA JÕHVTRIMMERIT (joon. A1)

1. Läve rõngas
2. Päästik

3. Tagumine käepide
4. Õhu sissevõtuava
5. Lukustusnupp
6. Suure/madala kiiruse nupp
7. Õlarihma kinnitusaas
8. Reguleeritav eesmine abikäepide
9. Õlarihm
10. Mitmeotstarbeline mutrivõti
11. Kuuskantvõti
12. Trimmeripea (muhuga pea)
13. Lõikejõhv
14. Vabastussakk
15. Jõhvi lõiketera
16. Kaitsepiire
17. Väljutusmehhanism
18. Elektrikontaktid
19. Riiv
20. Kummipadjast kaitse
21. Akuvabastusnupp
22. Kaitsetõkke moodul (ainult võsalõikuri pea jaoks)
23. Kaitsetõkke mooduli lukustusdetail (ainult võsalõikuri pea jaoks)
24. Välimine äärisk (ainult võsalõikuri pea jaoks)
25. Mutter (ainult võsalõikuri pea jaoks)
26. Kruvid (ainult võsalõikuri pea jaoks)

## PAKENDI LOEND

OSA NIMI	KOGUS
Jõhvtrimmer	1
Kaitsepiire	1
Eesmise abikäepideme moodul	1
Kuuskantvõti	1
Mitmeotstarbeline mutrivõti	1
Õlarihm	1
Kasutusjuhend	1
Lukustusdetail	1
Välimine äärisk	1
Mutter	1
kruvi	2

ET

## KOKKUPANEK

**⚠ HOIATUS!** Kui mõni osa on kahjustatud või puudub, ärge kasutage toodet enne, kui see osa on parandatud. Kasutades kahjustatud või vajalike komponentideta seadet, võite saada raskeid vigastusi.

**⚠ HOIATUS!** Ärge üritage seadet ümber ehitada ega kasutada lisatarvikuid, mis pole mõeldud kasutamiseks selle jõhvtrimmeriga. Kõik niisugused muudatused loetakse väärkasutuseks ja need võivad põhjustada ohtlikke olukordi, mis võivad lõppeda raskete vigastustega.

**⚠ HOIATUS!** Raskeid vigastusi põhjustada võiva juhusliku käivitumise vältimiseks eemaldage masina osade kokkupaneku ajaks alati akuplokk.

**⚠ HOIATUS!** Kui masin on varustatud võsalõikuri peaga, siis tuleb paigaldada ka kaitsetõkke moodul.

### KAITSEPIIRDE PAIGALDAMINE

**⚠ HOIATUS!** Piirde paigaldamise või vahetamise ajal kasutage alati kindaid. Jälgige tera liikumist ja olge ettevaatlik, et te ei vigastaks oma käsi.

**⚠ HOIATUS!** Ärge kasutage masinat, mille kaitsepiire pole korrektselt paigaldatud. Kasutaja turvalisuse huvides peab kaitsepiire masinale kogu aeg kinnitatud olema. Kaitsepiirde paigaldamise järgselt ärge kunagi üritage seda eemaldada ega kohandada. Väljavahetamise vajaduse korral peab seda tegema kvalifitseeritud tehnik!

1. Keerake lahti ja eemaldage kaks kaitsepiirde küljes olevat kruvi (joon. B)
2. Joondate kaitsepiirde paigaldusaugud aluse aukudega ja kinnitage kaitsepiire nende kahe kruvi ning kahe vedruseibi abil aluse külge (joon. C).

**MÄRKUS!** Veenduge, et kaitsedetail on kinnitatud vastavalt joonistel B ja C antud juhiste. Juhiste mittejärgimine tekitab väga ohtliku olukorra!

ET

### EESMISE ABIKÄEPIDEME PAIGALDAMINE JA REGULEERIMINE

1. Keerake eesmise abikäepideme lukustusdetaili lahti ning eemaldage see lukustusdetail ja tiibmutter eesmise abikäepideme küljest (joon. D).

**MÄRKUS!** Kui tööriist on varustatud võsalõikuri peaga, siis paigaldage kaitsetõkke moodul kahe kruviga aaskäepideme külge.

**MÄRKUS!** Komplektis on kaht tüüpi lukustusdetailid. Lühem on mõeldud trimmeripea jaoks. Pikem on mõeldud võsalõikuri pea jaoks. Tööriista kasutamisel jälgige, et valite õige lukustusdetaili.

D-1	Eesmine abikäepide	D-4	Kaitsetõkke moodul (ainult võsalõikuri pea jaoks)
D-2	Kinnitusplokk	D-5	Lukustusdetail
D-3	Tiibmutter		

2. Lükake eesmine käepide varrele läve rõngast ettepoole. Ärge kunagi paigaldage seda läve rõnga ja tagumise käepideme vahelisele alale (joon. E).
3. Sisestage kinnitusplokk käepideme pesasse (joon. F).
4. Kinnitage lukustusdetail ja eelpingutage need tiibmutriga. Veenduge, et eesmine abikäepide on suunatud ülespoole ja tagumise käepideme ülaosa suunas (joon. G).
5. Reguleerige eesmist abikäepidet läve rõnga ja sildi vahel ning veenduge, et saate kätt kasutamise ajal sirgelt hoida (joon. H).
6. Lukustage lukustusdetaili hoob. (joon. I).

**⚠ HOIATUS!** Seda tööriista ei tohi kasutada, kui eesmine abikäepide pole kindlalt kinnitatud.

### ÕLARIHMA PAIGALDAMINE

Ohutuks ja paremaks tööks pange rihm üle ühe õla ja selja.

1. Vajutage rihma haagile, et see avada, ja ühendage see õlarihma kinnitusaasaga (joon. J).
2. Reguleerige õlarihma pikkus ja paigutus mugavas tööasendis – hoidke trimmerit kahe käega: üks käsi tagumisel käepidemel ja teine käsi esimesel.

**⚠ HOIATUS!** Õnnetuse korral võtke see koheselt ära, ükskõik millises asendis rihm on.

Ühe- või kaherihmalisi rakmeid ei tohi kasutada samaaegselt.

Rihma kandmisel ei tohiks ükski muu kantav ese rihma vabastamist ja eemaldamist segada.

## SEADME KASUTAMINE

**⚠ HOIATUS!** Kandke alati kaitseprille või küljekaitsemetega kaitseprille ning kuulmiskaitsevahendeid. Vastasel korral võib teile midagi silma paiskuda ja võite saada ka muud laadi raskeid vigastusi.

Seda toodet võite kasutada allpool loetletud eesmärkidel:

**Trimmerdamine:** seinte, aedade, puude ja piirete ääres kasvava rohu eemaldamiseks.

**Lõikamine:** sellise muru lõikamiseks, millele on tavalise niiduki abil keeruline ligi pääseda.

**MÄRKUS!** Seadet tohib kasutada vaid käesolevas



juhendis lubatud eesmärgil. Igasugust muud kasutust (nt servade lõikamist) loetakse väärkasutuseks.

### AKUPLOKI PAIGALDAMINE/EEMALDAMINE

Kasutage ainult joonisel A2 esitatud akuplokke ja laadjaid.

#### Laadige enne esimest kasutamist täielikult.

#### Paigaldamiseks

Joondage aku sooned paigaldusavadega ja suruge akuplokki alla, kuni kuulete klõpsatust (joon. K).

#### Eemaldamiseks

Vajutage aku vabastamise nuppu ja tõmmake akuplokk välja, nagu on näidatud joonisel L.

L-1	Akuvabastusnupp
-----	-----------------

### JÕHVTRIMMERI HOIDMINE

Turvalisema ja parema kasutamise jaoks pange õlarihm üle õla, nagu on näidatud joonisel N. Reguleerige õlarihm enda jaoks mugavaks. Hoidke jõhvtrimmerit kahe käega. Ühe käega hoidke tagumist käepidet ja teisega eesmist abikäepidet.

**MÄRKUS!** Trimmeri pea on korrekse löikekauguse korral maaga paralleelne, ilma et seadme kasutaja kumardama peaks (joon. N).

Rihma vabastamiseks on kaks võimalust. Võtke see õlalt ära (joon. O) või vajutage rihma konsule ja eemaldage see varre külge fikseeritud õlarihma kinnitusaasa küljest (joon. P).

**⚠ HOIATUS!** Õlarihm on ohusituatsioonides ka kiirvabastusmehhanismiks. Õnnetuse korral võtke see koheselt ära, ükskõik millises asendis rihm on.

### JÕHVTRIMMERI KÄIVITAMINE/PEATAMINE (joon. M)

#### Käivitamiseks

Vajutage lukustusnuppu ning suruge päästik alla Lõikejõhvi pöörlemiskiirus sõltub sellest, kui tugevalt te päästikut vajutate. Tugevam surve tekitab suurema kiiruse.

#### Peatamine

Vabastage päästik.

**MÄRKUS!** Mootor töötab vaid siis, kui nii lukustusnupp kui ka päästik on alla vajutatud.

#### Kiiruse reguleerimine (joon. M)

Jõhvtrimmeril on kaks kiirust. Asend „1“ tähistab madalat kiirust ja asend „2“ suuremat kiirust.

M-1	Suure/madala kiiruse nupp
M-2	Lukustusnupp
M-3	Päästik

### JÕHVTRIMMERI KASUTAMINE

Enne töö alustamist puhastage tööpiirkond võõrkehast. Eemaldage tööpinnalt kõik kivid, klaasikillud, naelad, juhtmed ja nõõrid, mis võivad seadme töö tõttu paiskuda või selle külge või sisse kinni jääda. Jälgige, et tööpiirkonnas poleks lapsi, kõrvalisi isikuid ega loomi. Lapsed, kõrvalised isikud ja loomad peavad olema vähemalt 15 meetri kaugusel; ka selle tingimuse täidetuse korral säilib mõningane paiskuvatest esemetest tingitud oht kõrvalistele isikutele. Soovitage kõrvalistel isikutel kasutada kaitseprille. Kui keegi teile läheneb, seisake mootor ja lõikeseade koheselt.

#### Enne iga kasutuskorda kontrollige seadme kahjustumist / kulumist.

Kontrollige muhuga pead, kaitsepiiret ja eesmist abikäepidet ning vahetage välja mõranenud, väändunud, paindunud või muul moel kahjustatud komponendid.

Jõhvi lõiketera kaitsepiirde serval võib aja jooksul kuluda. Soovitatav on seda aeg-ajalt viiliga teritada või nürnemise korral uue vastu vahetada.

**⚠ HOIATUS!** Piirde paigaldamise või vahetamise ning tera teritamise või vahetamise ajal kasutage alati kindaid. Jälgige tera paiknemist ja olge ettevaatlik, et te ei vigastaks oma käsi.

#### Kontrollige trimmeripea ummistumist

- Ummistumise vältimiseks hoidke trimmeripea puhtana. Eemaldage rohulõiked, lehed, mustus ja muu kogunenud praht enne ja pärast iga kasutamist.
- Ummistuse korral peatage jõhvtrimmer ja eemaldage aku, seejärel eemaldage kogu muru, mis võib olla ümber mootori võlli või trimmeripea.

#### Puhastage trimmerit pärast iga kasutuskorda.

#### LÕIKEJÕHVI PIKKUSE REGULEERIMINE

Trimmeripea abil saab kasutaja pikendada jõhvi seadet seiskamata. Kui jõhv läheb katki või kulub, puudutage jõhvi pikendamiseks lõikepeaga kergelt maad ilma trimmerit seiskamata (joon. Q).

**MÄRKUS!** Lõikejõhvi vabastamine muutub jõhvi lühenedes järjest raskemaks.

**⚠ HOIATUS!** Ärge eemaldage ega kohandage jõhvi lõiketera moodulit. Liiga pikk jõhv põhjustab mootori ülekuumenemist, mis omakorda suurendab raskete vigastuste ohtu.

ET

## JÕHVI VAHETAMINE

**MÄRKUS!** Kasutage alati soovitatud nailonist lõikejõhvi, mille diameeter pole suurem kui 2,4 mm. Määratud jõhvist erineva jõhvi kasutamine võib kaasa tuua trimmeri ülekuumenemise või kahjustumise.

**⚠ HOIATUS!** Ärge kunagi kasutage metalliga tugevdatud jõhvi, traati või köit vms. Need võivad murduda ning õhku paiskudes ohtlikuks muutuda.

1. Eemaldage akuplokk.
2. Vajadusel eemaldage ülejäänud jõhv.
3. Lõigake 4m pikkune lõikejõhv, sisestage jõhv augukeses olevasse kinnitusavasse (joon. R). Lükake ja tõmmake jõhvi teiselt poolt kuni mõlemal pool pooli on sama palju jõhvi.
4. Suruge pooli, samas alumise katte moodulit noole suunas keerates, et täita pool jõhviga, kuni mõlemalt poolt on näha umbes 14 cm jõhvi (joon. S).
5. Vajutage alumise katte moodulit alla, samal ajal jõhve tõmmates, et jõhvi käsitsi edasi liigutada ja kontrollida, kas trimmeri pea on korralikult kokku pandud.

Kui jõhv läheb katki avadest, kust jõhv välja tuleb, või kui jõhv ei tule trimmeri pea vastu koputades välja, siis tehke järgmist.

1. Vajutage ülemise katte vabastussakkidele ja eemaldage alumise katte moodul, tõmmates selle otse välja (joon. T ja U).
2. Eemaldage lõikejõhv poolilt.
3. Hoides ühte kätt alumise katte moodulil, võtke teise käega alumise katte moodulit kinni ja joondage ülemise katte sakid avadega alumise katte moodulil (joon. V); vajutage peopesaga alumise katte moodulit, kuni sakid lukustuvad ülemise katte külge.
4. Uue jõhvi lisamiseks järgi juhiseid osas „JÕHVI VAHETAMINE“.

ET

## 3-TERALISE LÕIKETERA VAHETAMINE

**MÄRKUS!** Vigastuste vältimiseks kandke 3-teralise lõiketera käsitsemisel alati kindaid.

1. Eemaldage alumise katte moodul, nagu on näidatud joon. T ja U.
2. Sisestage stabilisaator ja seejärel kasutage löökmutterivõtit, et vabastada mutter, nagu on näidatud joon. X1 ja X2.
3. Eemaldage kõik osad, välja arvatud sisemine äärik ja mutter (joon. X3) ning paigaldage tera mootorivõlliile,

nagu joon. X4.

4. Keerake tera tugevamalt kinni, vt. joon. X5.

**⚠ HOIATUS!** Kuni 2 cm läbimõõduga noorte puistute või muude puiste materjalide lõikamisel kasutage tera tagasilöögi ennetamiseks tera vasakut poolt. Ärge katsetage suurema läbimõõduga puise materjali lõikamist, sest tera võib kinni jääda või võsalõikurit ettepoole tõmmata. See võib kahjustada tera või võsalõikurit või põhjustada kontrolli kaotamist võsalõikuri üle või tekitada vigastusi inimestele.

**MÄRKUS!** Teritage tera regulaarselt (kui see on märgatavalt nüriks muutunud) ning vajadusel laske seda tasakaalustada (ametlikus hoolduskeskuses).

## HOOLDUS

**⚠ HOIATUS!** Remontimisel kasutage vaid originaalvaruosi. Kontrollige ja hooldage seadet regulaarselt. Turvalisuse ja usaldusväärsuse tagamiseks peab kõiki parandustöid läbi viima kvalifitseeritud hooldustehnik.

**⚠ HOIATUS!** Raskete vigastuste vältimiseks eemaldage alati aku enne, kui asute seadet hooldama, puhastama, lisatarvikuid kinnitama või kinni jäänud objekte eemaldama.

**⚠ ETTEVAATUST!** Õhutusava ees olevad objektid takistavad õhu pääsemist mootori korpusesse ning selle tulemusena võib mootor üle kuumeneda või kahjustusi saada.

## SEADME PUHASTAMINE

- Seadme puhastamiseks kasutage leebetoimelise puhastusvahendiga immutatud niisket lappi. Ärge kunagi laske vedelikul tööriista sisse sattuda ja ärge kunagi pange tööriista vedelikku sisse.
- Ärge kasutage plastmasskomponentide või käepidemete puhastamiseks tugevatoimelisi puhastusaineid. Seadme osi võivad kahjustada teatud aroomaatsed õlid (nt männi- või sidruniõli) ja teatud ained (nt petrooleum). Niiskust võib tekitada elektrilöögi ohu. Eemaldage niiskus pehme kuiva lapiga..
- Tagumise korpuse õhutusavade puhastamiseks kasutage väikest harja või tolmuimeja väikese harja õhuväljutusava.
- Jälgige alati, et mootori korpuse õhutusavad oleksid puhtad.

## ÜLEKANDESÜSTEEMI MÄÄRIMINE

Ülekandesüsteemi korpuses olevaid ülekandesüsteemi osi peab regulaarselt määrima. Kontrollige ülekandesüsteemi määrdeaset iga 50 töötunni järel, eemaldades tihenduskrui ja korpuse külje.

Kui ülekandesüsteemi osadel ei ole nähtavat määret, siis järgige allpool esitatud juhiseid ning lisage ülekandesüsteemile määrdeainet 3/4 ulatuses. Ärge ülekandesüsteemi täies ulatuses määrige.

1. Pange jõhvtrimmer küljele nii, et tihenduskrui jääks ülespoole (joon. W).
2. Tihenduskrui vabastamiseks ja eemaldamiseks kasutage seadmega kaasas olevat multifunktsionaalset mutrivõtit.
3. Kasutage süstalt (ei ole kaasas), et natuke määret kruvi auku pritsida, ja jälgige, et te ei ületa 3/4 mahust.
4. Pärast määrimist keerake tihenduskrui kinni.

#### SEADME HOIUSTAMINE

- Kui te jõhvtrimmerit ei kasuta, eemaldage selle akuplokk.
- Enne tööriista hoiustamist puhastage see hoolikalt.
- Hoidke tööriista kuivas, hästi ventileeritavas, lukustatud kohas ja kõrgel, lastele ligipääsmatus kohas. Ärge hoidke seadet väetiste, bensiini või muude kemikaalide läheduses.
- Tera ümbrise kasutamine 3-teralise tera külge transportimisel ja hoiustamisel.

#### Keskkonnakaitse



Ärge visake elektriseadmeid, akulaadurit ega patareisid/akusid olmeprügi hulka! Viige toode volitatud taaskäitleja juurde ja võimaldage selle komponendid sorteerituna kõrvaldada. Elektritööriistad viige keskkonnakaitsenõudeid järgivasse jäätmekäitluskeskusesse.

## TÕRKEOTSING

PROBLEEM	PÕHJUS	LAHENDUS
Jõhvtrimmer ei käivitu.	<ul style="list-style-type: none"> <li>■ Akuplokk pole trimmeriga ühendatud.</li> <li>■ Trimmeri ja aku vahel puudub elektriline ühendus.</li> <li>■ Akuplokk on tühi.</li> <li>■ Lukustusnuppu ja päästikut ei vajutatud samaaegselt.</li> </ul>	<ul style="list-style-type: none"> <li>■ Kinnitage akuplokk trimmeri külge.</li> <li>■ Eemaldage aku, kontrollige ühendusi ja pange akuplokk tagasi.</li> <li>■ Laadige akuplokki.</li> <li>■ Jõhvtrimmeri sisse lülitamiseks vajutage lukustusnuppu ja hoidke seda all ning suruge päästik alla.</li> </ul>
Jõhvtrimmer seiskub niitmise ajal.	<ul style="list-style-type: none"> <li>■ Kaitsepiire pole trimmeri külge kinnitatud, mistõttu on jõhv liiga pikaks läinud ja mootor üle koormatud.</li> <li>■ Kasutatakse rasket jõhvi.</li> <li>■ Rohi on ummistanud mootori võlli või trimmeri pea.</li> <li>■ Mootor on ülekoormatud.</li> <li>■ Akuplokk või jõhvtrimmer on liiga kuum.</li> <li>■ Akuplokk on tööriista küljest lahti ühendatud.</li> <li>■ Akuplokk on tühi.</li> </ul>	<ul style="list-style-type: none"> <li>■ Eemaldage akuplokk ja kinnitage piire trimmeri külge.</li> <li>■ Kasutage seadme jaoks ette nähtud nailonist jõhvi, mille diameeter pole suurem kui 2,4 mm.</li> <li>■ Seisake trimmer, ühendage aku lahti ja eemaldage mootori võlli ja trimmeripea ümber kogunenud rohi.</li> <li>■ Tõstke trimmeri pea rohu seest välja. Mootor hakkab uuesti tööle kohe, kui takistus on eemaldatud. Niitmise ajal liigutage trimmeri pead niidetava rohu sisse ja sealt välja ning ärge lõigake korraga rohkem kui 20 cm rohtu.</li> <li>■ Jahutage akuplokki või trimmerit, kuni temperatuur langeb alla 67°C.</li> <li>■ Paigaldage akuplokk tagasi.</li> <li>■ Laadige akuplokki.</li> </ul>

ET

PROBLEEM	PÕHJUS	LAHENDUS
Trimmeri pea ei anna lisajõhvi välja.	<ul style="list-style-type: none"> <li>■ Rohi on ummistanud mootori võlli või trimmeri pea.</li> <li>■ Pooli ümber pole piisavalt jõhvi.</li> <li>■ Trimmeri pea on määrdunud.</li> <li>■ Jõhv kiilub poolile kinni.</li> <li>■ Jõhv on liiga lühike.</li> </ul>	<ul style="list-style-type: none"> <li>■ Seisake trimmer, ühendage aku lahti ja puhastage mootori võlli ja trimmeri pead.</li> <li>■ Eemaldage aku ja vahetage jõhv, järgides käesoleva juhendi alapunktis "JÕHVI VAHETAMINE" antud juhiseid.</li> <li>■ Eemaldage akuplokk ja puhastage trimmeri pead.</li> <li>■ Eemaldage aku ning kerige jõhv trimmeri pea pealt maha ja tagasi, järgides juhiseid käesoleva juhendi jaotises "LÕIKEJÕHVI UUESTI LAADIMINE".</li> <li>■ Eemaldage aku ja tõmmake jõhve käsitsi ning vajutage samaaegselt mitu korda trimmeri pea peale.</li> </ul>
Rohi keerdub ümber trimmeri pea ja mootori korpuse.	<ul style="list-style-type: none"> <li>■ Kõrget rohtu lõigatakse maapinna lähedal.</li> </ul>	<ul style="list-style-type: none"> <li>■ Alustage kõrge muru lõikamist ülevalt ja keerdumise vältimiseks eemaldage korraga kuni 20 cm.</li> </ul>
Trimmeripea on mõranenud või alumise katte moodul tuleb ülemise katte küljest lahti.	<ul style="list-style-type: none"> <li>■ Trimmeripea on kulunud.</li> </ul>	<ul style="list-style-type: none"> <li>■ Trimmeripea vahetamist peab teostama vastava kvalifikatsiooniga tehnik.</li> </ul>

## GARANTII

### EGO GARANTIIPÕHIMÕTTED

Täielikud EGO garantiitingimused leiate veebilehelt [egopowerplus.eu](http://egopowerplus.eu).

ET

## ПРОЧИТАЙТЕ ВСІ ІНСТРУКЦІЇ!



ПРОЧИТАЙТЕ ПОСІБНИК З ЕКСПЛУАТАЦІЇ



Попередження щодо безпеки



Надягайте засоби захисту очей



Не використовуйте металеві леза



Відстань між інструментом і сторонніми спостерігачами має бути не менше 15 м.



Діаметр лиски – діаметр нейлонової ріжучої лиски



Цей виріб відповідає чинним директивам ЄС.



Відходи електричних виробів не слід викидати разом із побутовим сміттям. Зверніться до авторизованого пункту переробки.

V Напруга

**UK**

.../min На хвилину

kg Кілограм

## СИМВОЛИ, ЩО СТОСУЮТЬСЯ БЕЗПЕКИ

**⚠ ПОПЕРЕДЖЕННЯ.** Використання будь-яких електроінструментів може призвести до потрапляння сторонніх предметів в очі, що може спричинити серйозне пошкодження очей. Перед початком експлуатації електроінструмента завжди надягайте закриті захисні окуляри або відкриті захисні окуляри з бічними щитами та, якщо потрібно, повнопрофільну захисну маску. Ми рекомендуємо захисну маску широкого розміру для використання поверх окулярів або стандартні відкриті захисні окуляри з бічними щитами.



Ознайомтеся з посібником користувача



Надягайте засоби захисту органів слуху



Остерігайтеся кинутих предметів



Від'єднайте акумулятор перед обслуговуванням



Ширина різання – макс. ширина різання ліскового тримера



цей продукт відповідає чинному законодавству Великобританії.



Гарантований рівень звукової потужності. Розповсюдження шуму в навколишнє середовище згідно з директивою Європейського співтовариства.

$n_0$

Швидкість без навантаження – обертова швидкість без навантаження



Постійний струм

IPX4

Захист від бризок води

## ТЕХНІЧНІ ХАРАКТЕРИСТИКИ

	Головка тримера	Лезо з 3 зубцями
Напруга	56 В ---	56 В ---
Діапазон рекомендованих робочих температур:	0°C–40°C	
Діапазон рекомендованих температур зберігання:	-20°C–70°C	
Оптимальна температура заряджання	5°C–40°C	
Швидкість без навантаження	5000/6000 хв <sup>-1</sup>	5000/6000 хв <sup>-1</sup>
Тип ріжучої ліски	2,4 мм	/
Лезо	/	ABB1203
Ширина різання	38 см	30 см
Вага (без акумулятора)	4,21 кг.	4,45 кг
Вимірний рівень звукової потужності L <sub>WA</sub>	94,6 дБ(А) K=1,8 дБ(А)	96,5 дБ(А) K=1,88 дБ(А)
Рівень звукового тиску на місці вуха оператора L <sub>PA</sub>	81,7 дБ(А) K=2,5 дБ(А)	76,5 дБ(А) K=3 дБ(А)
Гарантований рівень звукової потужності L <sub>WA</sub> (відповідно до 2000/14/ЕС)	96 дБ(А)	98 дБ(А)
Вібрація a <sub>h</sub>	Передня допоміжна ручка	3,2 м/с <sup>2</sup> K=1,5 м/с <sup>2</sup>
	Задня ручка	2,3 м/с <sup>2</sup> K=1,5 м/с <sup>2</sup>

- Вказане загальне значення вібрації виміряне за стандартним методом тестування і може використовуватися для порівняння одного інструмента з іншим;
- Заявлене сумарне значення вібрації може також використовуватися для попередньої оцінки впливу.

**ПРИМІТКА.** Емісія вібрації під час фактичного використання електроінструмента може відрізнятися від заявленої величини, у якій використовується інструмент. Щоб захистити оператора, користувач повинен одягати рукавички та захисні навушники в реальних умовах використання.

## ОПИС

### ОЗНАЙОМЛЕННЯ З ЛІСКОВИМ ТРИМЕРОМ

(рис. А1)

1. Порогове кільце
2. Тригер
3. Задня ручка
4. Отвір для входу повітря
5. Кнопка блокування
6. Перемикач низької/високої швидкостей
7. Кріплення ремінця на плече
8. Регульована передня допоміжна ручка
9. Плечовий ремінь
10. Багатофункціональний ключ
11. Шестигранний ключ
12. Головка тримера (ударна головка)
13. Ріжуча ліска
14. Фіксатор
15. Лісковий ніж
16. Щиток
17. Механізм викидання
18. Електричні контакти
19. Засувка
20. Гумова прокладка
21. Кнопка звільнення батареї
22. Захисна бар'єрна штанга (тільки для головки кущоріза)
23. Стопорний штифт для захисної бар'єрної штанги (тільки для головки кущоріза)
24. Зовнішній фланець (тільки для головки кущоріза)
25. Гайка (тільки для головки кущоріза)
26. Гвинти (тільки для головки кущоріза)

## ПАКУВАЛЬНИЙ СПИСОК

НАЗВА ДЕТАЛІ	КІЛЬКІСТЬ
Лісковий тример	1
Щиток	1
Передня допоміжна ручка в зборі	1
Шестигранний ключ	1
Багатофункціональний ключ	1
Плечовий ремінь	1
Посібник користувача	1
Сторонній штифт	1
Зовнішній фланець	1
Гайка	1

UK

## ЗБИРАННЯ

**⚠ ПОПЕРЕДЖЕННЯ.** Якщо якісь частини пошкоджені або відсутні, не користуйтеся цим інструментом, доки вони не будуть замінені. Використання цього виробу з пошкодженими або відсутніми деталями може призвести до серйозних травм.

**⚠ ПОПЕРЕДЖЕННЯ.** Не намагайтеся вдосконалити цей лісовий тример або застосувати приладдя, не рекомендоване для нього. Кожна така заміна чи переробка є фактом неправильного користування, створює небезпечні умови й загрожує серйозними травмами.

**⚠ ПОПЕРЕДЖЕННЯ.** Щоб запобігти випадковому запуску, що може спричинити серйозні травми, завжди виймайте акумуляторну батарею з інструмента під час монтажу деталей.

**⚠ ПОПЕРЕДЖЕННЯ.** Якщо інструмент обладнано насадкою-кущорізом, слід установити захисний бар'єр.

## УСТАНОВЛЕННЯ ЩИТКА

**⚠ ПОПЕРЕДЖЕННЯ.** Під час установлення або заміни щитка завжди слід носити рукавички. Остерігайтеся леза на щитку та захистіть руку від травм.

**⚠ ПОПЕРЕДЖЕННЯ.** Ніколи не використовуйте інструмент, якщо щиток міцно не закріплено. Щиток завжди має бути на інструменті для захисту користувача! Коли щиток зафіксовано, ніколи не намагайтеся зняти або відрегулювати щиток. Якщо потрібно замінити його, це має виконувати кваліфікований технічний персонал!

1. Відкрутіть і зніміть два гвинти зі щитка (рис. В).
2. Вирівняйте кріпильні отвори щитка з отворами для збірки, а потім зафіксуйте щиток на основі вала за допомогою двох гвинтів разом із двома пружинними шайбами (рис. С).

**ПРИМІТКА.** Переконайтеся, що захисний щиток закріплений відповідно до рисунків В і С, будь-яке зворотнє кріплення може призвести до великої небезпеки!

## УСТАНОВЛЕННЯ ТА РЕГУЛЮВАННЯ ПЕРЕДНЬОЇ ДОПОМІЖНОЇ РУЧКИ

1. Відкрутіть фіксувальну штангу в передній допоміжній ручці та зніміть фіксувальну штангу і гайку-баранець із передньої допоміжної ручки (рис. D).

**ПРИМІТКА.** Установіть захисну бар'єрну штангу в зборі на ручку-скобу за допомогою двох гвинтів, якщо інструмент обладнано головою кущоріза.

**ПРИМІТКА.** Існує два види стопорних штифтів, коротший призначений для використання з головою тримера. Довший призначений для використання з головою кущоріза. Будьте уважні та виберіть правильний стопорний штифт під час використання інструмента.

D-1	Передня допоміжна ручка	D-4	Захисна бар'єрна штанга (тільки для головки кущоріза)
D-2	Затискний блок	D-5	Стопорний штифт
D-3	Гайка-баранець		

2. Натисніть на передню ручку в напрямку вала на передній частині порогового кільця. Ніколи не поміщайте її між пороговим кільцем і областю задньої ручки (рис. E).
3. Вставте затискний блок у гніздо для ручки (рис. F).
4. Закріпіть стопорний штифт і злегка закрутіть її гайкою-баранцем. Переконайтеся, що передня допоміжна ручка направлена на верхню частину задньої ручки (рис. G).
5. Відрегулюйте передню допоміжну ручку між пороговим кільцем та етикеткою, щоб переконатися, що передня ручка розташована прямо під час роботи (рис. H).
6. Зафіксуйте важіль фіксувальної штанги. (Рис. I).

**⚠ ПОПЕРЕДЖЕННЯ.** Інструмент не можна використовувати без надійної фіксації передньої допоміжної ручки.

## КРІПЛЕННЯ ПЛЕЧОВОГО РЕМІНЯ

Для безпечної та ефективнішої роботи надягніть ремінь на одне плече та на спину.

1. Натисніть на гачок ремня, щоб відкрити його, і прикріпіть його до кріплення плечового ремня (рис. J).
2. Відрегулюйте довжину та розміщення плечового ремня так, щоб було зручно працювати – тримайте тример обома руками: однією рукою за задню рукоятку, а іншою рукою за передню рукоятку.

**⚠ ПОПЕРЕДЖЕННЯ.** Коли трапляється



надзвичайна ситуація, негайно зніміть його з плеча, незалежно від того, у який спосіб одягнуто ремінь.

Не слід одночасно використовувати одинарний і подвійний плечовий ремінь.

Під час носіння ремінця жодні інші пристрої, що носяться, не мають заважати звільненню та зняттю ременя.

## ЕКСПЛУАТАЦІЯ

**▲ ПОПЕРЕДЖЕННЯ.** Завжди носіть закриті або відкриті захисні окуляри з бічними щитками разом із захисними навушниками. Без окулярів ви ризикуєте отримати травми очей від викинутих предметів та інші серйозні травми.

Ви можете використовувати цей виріб для цілей, перелічених нижче:

**Підрізання:** використовується для видалення трави та бур'янів біля стін, парканів, дерев та бордюрів.

**Зрізання:** використовується для зрізання трави, яку важко дістати за допомогою звичайної косарки.

**ПРИМІТКА.** Цей інструмент має використовуватись тільки за призначенням. Будь-яке інше використання, наприклад підрізання країв, вважається випадком використання не за призначенням.

## УСТАНОВЛЕННЯ І ВИДАЛЕННЯ АКУМУЛЯТОРА

Використовуйте лише акумулятори та зарядні пристрої, перелічені на рис. A2.

### Повністю зарядіть перед першим використанням

#### Установлення

Вирівняйте виступи на акумуляторі з кріпильними отворами та натисніть на акумуляторну батарею, доки не почуєте «кляцання» (рис. K).

#### Видалення

Натисніть кнопку звільнення акумулятора та витягніть акумуляторну батарею, як показано на рис. L.

L-1	Кнопка розблокування батареї
-----	------------------------------

## ТРИМАННЯ ТРИМЕРА

Для безпечної та кращої експлуатації надягайте ремінець через плече, як показано на рис. N. Відрегулюйте плечовий ремінець у зручному робочому положенні. Тримайте лісковий тример обома руками. Тримайте прилад однією рукою за задню ручку, а іншою рукою за передню допоміжну ручку.

**ПРИМІТКА.** Головка тримера має бути паралельною землі на достатній відстані для різання, оператор не повинен нагинатися (рис. N).

Існує два способи звільнення ремінця. Зніміть його прямо з плеча (рис O) або натисніть на гачок ремінця і витягніть його з кріплення плечового ременя, закріпленого на валу (рис. P).

**▲ ПОПЕРЕДЖЕННЯ.** Плечовий ремінь також є механізмом швидкого звільнення в небезпечній ситуації. Коли трапляється надзвичайна ситуація, негайно зніміть його з плеча, незалежно від того, у який спосіб одягнуто ремінь.

## ЗАПУСК/ЗУПИНКА ЛІСКОВОГО ТРИМЕРА (рис. M)

### Запуск

Натисніть важіль блокування, а потім натисніть на тригер. Різний тиск на тригер призводить до змінної швидкості обертання ріжучої ліски. Що більше тиску, то більша швидкість.

### Зупинка

Відпустіть тригер

**ПРИМІТКА.** Мотор працює лише тоді, коли кнопку блокування та тригер натиснуто.

### Функція регулювання швидкості (рис. M)

Лісковий тример має дві швидкості. Положення «1» для низької швидкості та положення «2» для високої швидкості.

M-1	Перемикач низької/високої швидкостей
M-2	Кнопка блокування
M-3	Тригер

## ВИКОРИСТАННЯ ЛІСКОВОГО ТРИМЕРА

Очищуйте ділянку підрізання перед кожним використанням. Видаліть усі предмети, такі як камені, бите скло, цвяхи, дроти або ліску, які можуть бути відкинуті або затягнуті в ріжуче обладнання. Приберіть із робочої області дітей, сторонніх і домашніх тварин. Принаймні тримайте всіх дітей, сторонніх спостерігачів і домашніх тварин на відстані не менше 15 м; проте для сторонніх спостерігачів усе одно може бути ризик від відкинутих предметів. Стороннім спостерігачам слід рекомендувати носити засоби захисту очей. Перед наближенням зупиніть мотор і ріжучий пристрій негайно.

### Перед кожним використанням перевірте наявність пошкоджень/зношених деталей

Перевірте ударну головку, щиток і передню ручку, а також замініть частини, які тріснули, викривлені, зігнуті або будь-яким чином пошкоджені.

UK

Ріжучий лісковий ніж на краю щитка може затупитися з часом. Рекомендується періодично заточувати його за допомогою напилка або замінити його на нове лезо.

**⚠ ПОПЕРЕДЖЕННЯ.** Завжди слід носити рукавички під час кріплення або заміни щитка або заточування чи заміни леза для обрізання ліски. Зверніть увагу на розташування леза на щитку та захист ваших рук від травм.

#### Перевірте, чи насадку-тример не заблоковано.

- Щоб запобігти засміченню, тримайте насадку-тример у чистоті. Видаляйте обрізки трави, листя, бруд і будь-яке інше сміття, що скупчилося, до і після кожного використання.
- Якщо сталося засмічення, зупиніть лісковий тример і вийміть акумулятор, а потім видаліть усю траву, яка могла намотатися на вал мотора або насадку-тример.

#### Після кожного використання очистьте тример.

#### РЕГУЛЮВАННЯ ДОВЖИНИ РІЖУЧОЇ ЛІСКИ.

Тримерна головка дає оператору змогу випускати більше ріжучої ліски, не зупиняючи мотор. Коли ліска стирається або зношується, можна випустити додаткову ліску, злегка вдаривши головкою тримера об землю під час роботи з тримером (рис. Q).

**ПРИМІТКА.** Випуск ліски стане складнішим, коли ріжуча ліска стане коротшою.

**⚠ ПОПЕРЕДЖЕННЯ.** Не видаляйте та не змінюйте ріжуче лезо в зборі. Надмірна довжина ліски призведе до перегріву мотора та може спричинити серйозні травми.

#### ЗАМІНА ЛІСКИ

**ПРИМІТКА.** Завжди використовуйте рекомендовану нейлонову ріжучу ліску з діаметром не більше 2,4 мм. Використання іншої ліски, відмінної від указаної, може спричинити перегрівання ліскового тримера або його пошкодження.

**⚠ ПОПЕРЕДЖЕННЯ.** Ніколи не використовуйте армовану металом ліску, дріт, мотузку тощо. Вони можуть зламатись і стати небезпечними снарядами.

1. Вийміть акумуляторну батарею.
2. Видаліть залишкову ріжучу ліску, якщо це необхідно.
3. Відріжте 4 м ріжучої ліски, вставте ліску в кріпильний отвір усередині вушка (рис. R). Натисніть і витягніть ліску з іншої сторони, доки не

з'явиться рівна кількість ліски з обох боків котушки.

4. Натискайте, обертаючи нижню кришку в зборі в напрямку стрілки, щоб намотати ліску на котушку, доки на кожній стороні не з'явиться приблизно 14 см ліски (рис. S).
5. Натисніть на нижню кришку в зборі, тягнучи за ліску, щоб просувати ліску вручну, і перевірте, чи тримерну головку зібрано правильно.

Коли ріжуча ліска виривається з лінійного отвору або ріжуча ліска не випускається під час удару тримерної головки, виконайте такі дії:

1. Натисніть на фіксатори верхньої кришки та зніміть нижню кришку в зборі, витягнувши її (рис. T та U).
2. Видаліть ріжучу ліску з котушки.
3. Тримаючи однією рукою нижню кришку в зборі, іншою рукою візьміться за нижню кришку в зборі і сумістіть виступи на верхній кришці з отворами на нижній кришці в зборі (рис. V). Натискайте долонею на нижню кришку в зборі, доки фіксатори не зафіксуються на верхній кришці.
4. Дотримуйтесь інструкцій у розділі «ЗАМІНА ЛІСКИ», щоб заправити ріжучу ліску.

#### ЗАМІНА ЛЕЗА З 3 ЗУБЦЯМИ

**ПРИМІТКА.** Для захисту від травми необхідно одягати рукавички перед будь-якою операцією з лезом із 3 зубцями.

1. Зніміть нижню кришку в зборі, як показано на рис. T і U.
2. Вставте стабілізатор, а потім за допомогою ударного торцевого гайкового ключа послабте гайку, як показано на рис. X1 і X2.
3. Зніміть усі деталі, крім внутрішнього фланця і гайки (рис. X3), установіть лезо на вал мотора, як показано на рис. X4.
4. Затягніть болт леза, як показано на рис. X5.

**⚠ ПОПЕРЕДЖЕННЯ.** Під час зрізання молодих дерев або інших деревних матеріалів діаметром до 2 см використовуйте ліву частину леза, щоб уникнути ситуацій упору леза. Не намагайтеся розрізати деревний матеріал із більшим діаметром, оскільки лезо може застрягнути чи відштовхнути куцоріз уперед. Це може призвести до пошкодження леза чи куцоріза або втрати контролю над куцорізом, що спричинить травмування.

**ПРИМІТКА.** Регулярно заточуйте лезо (коли воно помітно затупилося), і, якщо необхідно, забезпечте його балансування (виконується кваліфікованим технічним

працівником).

## ОБСЛУГОВУВАННЯ

**▲ ПОПЕРЕДЖЕННЯ.** Використовуйте для технічного обслуговування лише ідентичні запчастини. Регулярно оглядайте інструмент і виконуйте його обслуговування. Для гарантування безпеки та надійності всі ремонтні роботи повинен проводити кваліфікований технічний спеціаліст.

**▲ ПОПЕРЕДЖЕННЯ.** Щоб запобігти серйозним травмам, вийміть акумуляторну батарею з інструмента перед обслуговуванням, очищенням, заміною додаткових насадок або видаленням матеріалу з пристрою.

**▲ ЗАСТЕРЕЖЕННЯ.** Засмічення вентиляційних отворів перешкоджає проникненню повітря в корпус мотора і може призвести до перегріву або пошкодження мотора.

### ОЧИЩЕННЯ ПРИЛАДУ

- Очистьте прилад вологою ганчіркою з м'яким миючим засобом. Ніколи не допускайте потрапляння рідини всередину інструмента; ніколи не занурюйте будь-яку частину інструмента в рідину.
- Не використовуйте сильні миючі засоби на пластиковому корпусі або ручці. Вони можуть бути пошкоджені деякими ароматичними маслами, наприклад хвойним і лимонним, а також розчинниками, такими як гас. Вологість також може становити небезпеку удару. Обережно протріть вологу м'якою сухою тканиною.
- Використовуйте невелику щітку або невеликий пілосос із видувом повітря для очищення вентиляційних отворів ззаду на корпусі.
- Завжди оберігайте вентиляційні отвори в корпусі мотора від сміття.

### ЗМАЩЕННЯ ЗУБЧАСТИХ ПЕРЕДАЧ

Зубчасті передачі в корпусі редуктора необхідно періодично змащувати трансмісійним мастилом. Перевіряйте рівень змащення корпусу редуктора приблизно кожні 50 годин роботи, знявши гвинт із гнізда на боці корпусу.

Якщо на боках редуктора не видно мастила, виконайте кроки нижче, щоб залити трансмісійне мастило на 3/4 ємності. Не заповнюйте редуктори повністю.

1. Тримайте лісковий тример на боці так, щоб герметичний гвинт був спрямований вгору (рис. W).
2. Використовуйте багатофункціональний гайковий

ключ, який входить у комплект, щоб відкрутити та зняти герметичний гвинт.

3. Використовуйте шприц для змащення (не входить у комплект), щоб влити мастило в отвір; не перевищуйте 3/4 ємності.
4. Затягніть герметичний гвинт після вливання.

### ЗБЕРІГАННЯ ПРИЛАДУ

- Витягніть акумуляторну батарею з тримера, коли він не використовується.
- Перед зберіганням інструмент необхідно ретельно очистити.
- Зберігайте пристрій у сухому, добре вентиляваному, закритому або високо розташованому недоступному для дітей місці. Не зберігайте пристрій біля мінеральних добрив, бензину та інших хімікатів.
- Використовуйте футляр із лезом із 3 зубами під час транспортування та зберігання.

### Захист довкілля



Не викидайте електричне обладнання, акумулятор і зарядний пристрій у побутові відходи! Віднесіть цей виріб авторизованому переробнику й надайте його для роздільного збирання. Електроінструменти необхідно повернути в підприємство, що займається екологічно безпечною переробкою.

## УСУНЕННЯ НЕСПРАВНОСТЕЙ

НЕСПРАВНІСТЬ	ПРИЧИНА	ВИРІШЕННЯ
Лісовий тример не запускається.	<ul style="list-style-type: none"> <li>■ Акумуляторна батарея не приєднана до тримера.</li> <li>■ Немає електричного контакту між тримером і батареєю.</li> <li>■ Акумуляторна батарея розряджена.</li> <li>■ Кнопка блокування та тригер не натиснуто одночасно.</li> </ul>	<ul style="list-style-type: none"> <li>■ Під'єднайте акумулятор до тримера.</li> <li>■ Вийміть акумулятор, перевірте контакти та знову встановіть акумулятор.</li> <li>■ Зарядіть акумуляторну батарею.</li> <li>■ Натисніть кнопку блокування та утримуйте її, а потім натисніть на тригер, щоб увімкнути лісовий тример.</li> </ul>
Лісовий тример зупиняється під час різання.	<ul style="list-style-type: none"> <li>■ Щиток не встановлено на тример, у результаті чого ріжуча ліска надмірно довга і мотор перевантажено.</li> <li>■ Використовується важка ріжуча ліска.</li> <li>■ У валі мотора або головці тримера застрягла трава.</li> <li>■ Мотор перевантажено.</li> <li>■ Акумулятор або лісовий тример занадто гарячі.</li> <li>■ Акумулятор від'єднано від інструмента.</li> <li>■ Акумуляторна батарея розряджена.</li> </ul>	<ul style="list-style-type: none"> <li>■ Вийміть акумуляторну батарею та встановіть щиток на тример.</li> <li>■ Використовуйте рекомендовану нейлонову ріжучу ліску з діаметром не більше 2,4 мм.</li> <li>■ Зупиніть тример, вийміть акумулятор і витягніть траву з вала мотора та головки тримера.</li> <li>■ Заберіть головку тримера з трави. Мотор відновить роботу, щойно навантаження буде усунуто. Під час різання переміщайте тримерну головку в траву і з неї, і прибирайте не більше 20 см довжини за одне різання.</li> <li>■ Дайте акумуляторній батареї або тримеру охолонути, доки температура не опуститься нижче 67°C.</li> <li>■ Знову встановіть акумуляторну батарею.</li> <li>■ Зарядіть акумуляторну батарею.</li> </ul>

**UK**

НЕСПРАВНІСТЬ	ПРИЧИНА	ВИРІШЕННЯ
Тримерна головка не просуває ліску.	<ul style="list-style-type: none"> <li>■ У валі мотора або головці тримера застрягла трава.</li> <li>■ На катушці бракує ліски.</li> <li>■ Тримерна головка брудна.</li> <li>■ Ліска заплуталась у катушці.</li> <li>■ Ліска занадто коротка.</li> </ul>	<ul style="list-style-type: none"> <li>■ Зупиніть тример, вийміть акумулятор і очистьте вал мотора та головку тримера.</li> <li>■ Вийміть акумулятор і замініть ріжучу ліску; дотримуйтеся вказівок у розділі «ЗАМІНА ЛІСКИ» в цьому посібнику.</li> <li>■ Вийміть батарею та очистьте тримерну головку.</li> <li>■ Зніміть акумулятор, витягніть ліску з тримерної головки та перемотайте; дотримуйтеся вказівок у розділі «ЗАПРАВЛЕННЯ РІЖУЧОЇ ЛІСКИ» в цьому посібнику.</li> <li>■ Вийміть акумулятор і витягніть ліску вручну, поперемінно натискаючи та відпускаючи тримерну головку.</li> </ul>
Трава намоталася на головку тримера та корпус мотора.	<ul style="list-style-type: none"> <li>■ Різання високої трави на рівні землі.</li> </ul>	<ul style="list-style-type: none"> <li>■ Вирізайте високу траву згори вниз, видаляючи не більше 20 см за кожен прохід, щоб запобігти намотуванню.</li> </ul>
Тріщини на тримерній головці, або послаблюється кріплення нижньої кришки в зборі до верхньої кришки.	<ul style="list-style-type: none"> <li>■ Головка тримера зношена.</li> </ul>	<ul style="list-style-type: none"> <li>■ Замініть тримерну головку негайно, доручіть це кваліфікованому технічному спеціалісту.</li> </ul>

## ГАРАНТІЯ

### ПРАВИЛА ГАРАНТІЇ EGO

Відвідайте веб-сайт [egopowerplus.eu](http://egopowerplus.eu) для отримання повного тексту умов гарантійної політики EGO.

UK

## ПРОЧЕТЕТЕ ВСИЧКИ ИНСТРУКЦИИ)



**ПРОЧЕТЕТЕ РЪКОВОДСТВОТО НА ОПЕРАТОРА**



Сигнал за безопасност



Носете защита за очите



Не използвайте метални ножове



Разстоянието между машината и околните хора трябва да бъде минимум 15 м.



Диаметър на кордата - Диаметър на найлоновата режеща корда



Този продукт е в съответствие с приложимите директиви на ЕС.



Отпадъчните електрически продукти не трябва да бъдат изхвърляни заедно с домакинския отпадък. Отнесете го до упълномощено място за рециклиране.

V Напрежение

.../min В минута

**BG**

kg Килограм

## СИМВОЛИ ЗА БЕЗОПАСНОСТ



**ПРЕДУПРЕЖДЕНИЕ:** Експлоатацията на всички електрически инструменти, може да доведе до изхвърляне на чужди предмети към вашите очи, което може да доведе до сериозно нараняване на очите. Преди започване на работа с електрически инструмент, винаги носете предпазни очила със странична защита и визьор за цялото лице, когато е необходимо. Ние препоръчваме предпазна маска с широк визьор за употреба над очила или стандартни предпазни очила със странична защита.



Прочетете и разберете ръководството на оператора



Носете защита за слуха



Пазете се от хвърлени предмети



Разкачване на батерията преди поддръжка



Ширина на рязане - Максималната режеща ширина на кордов тример



Този продукт е в съответствие с приложимото законодателство на Великобритания.



Гарантирано ниво на мощност на звука. Звуковите емисии към околната среда са в съответствие с директивите на европейската общност.

$n_0$  Скорост без натоварване - Скорост на въртене без товар



Постоянен ток

IPX4 Защита от водни пръски

## СПЕЦИФИКАЦИИ

	Тримерна глава	Нож с 3 зъба
Напрежение	56 V $\overline{\text{---}}$	56 V $\overline{\text{---}}$
Препоръчителна работна температура	0°C-40°C	
Препоръчителна температура на съхранение	-20°C-70°C	
Оптимална температура на зареждане	5°C-40°C	
Скорост без натоварване	5000/6000 min <sup>-1</sup>	5000/6000 min <sup>-1</sup>
Режеща корда тип	2,4 mm	/
Режещо острие	/	ABB1203
Ширина на рязане	38cm	30cm
Тегло (без акумулаторна батерия)	4,21 kg	4,45 kg
Измерено ниво на сила на звука L <sub>WA</sub>	94,6 dB(A) K=1,8 dB(A)	96,5 dB(A) K=1,88 dB(A)
Ниво на звуково налягане при ухото на оператора L <sub>PA</sub>	81,7 dB(A) K=2,5 dB(A)	76,5 dB(A) K=3 dB(A)
Гарантирано ниво на сила на звука L <sub>WA</sub> (съгласно 2000/14/EC)	96 dB(A)	98 dB(A)
Вибрации a <sub>n</sub>	Предна спомагателна ръкохватка	3,2 m/s <sup>2</sup> K=1,5 m/s <sup>2</sup>
	Задна ръкохватка	2,3 m/s <sup>2</sup> K=1,5 m/s <sup>2</sup>

- Деклариеният общ размер на вибрации е измерен в съответствие със стандартния метод за тест и може да бъде използван за сравнение между два инструмента;
- Деклариеният общ размер на вибрации може също така да бъде използван за предварителна оценка на влиянието.

**БЕЛЕЖКА:** Вибрационните емисии по време на действителната употреба на електрическия инструмент може да се различава от декларираната стойност. С цел да се защити оператора, потребителят трябва да носи ръкавици и антифони в действителни условия на работа.

## ОПИСАНИЕ

### ЗАПОЗНАЙТЕ СЕ С ВАШИЯ КОРДОВ ТРИМЕР (Фиг. А1)

1. Ограничителен пръстен

2. Спусък
3. Задна ръкохватка
4. Вход за въздух
5. Бутон за отключване
6. Превключвател за скорост висока/ниска
7. Монтажна халка за раменния ремък
8. Регулируема предна спомагателна ръкохватка
9. Ремък за рамо
10. Мултифункционален гаечен ключ
11. Ключ шестограм
12. Тримерна глава (ударна глава)
13. Режеща корда
14. Бутон за освобождаване
15. Режещ нож за кордата
16. Предпазител
17. Механизъм за изваждане
18. Електрически контакти
19. Резе
20. Предпазна гумена подложка
21. Бутон за освобождаване на батерията
22. Предпазен бариерен прът (само за глава на хросторез)
23. Фиксиращ прът за предпазния бариерен прът (само за глава на хросторез)
24. Външен фланец (само за глава на хросторез)
25. Гайка (само за глава на хросторез)

## ОПАКОВЪЧЕН ЛИСТ

ИМЕ НА ЧАСТ	БРОЙ
Линеен тример	1
Предпазител	1
Предната спомагателна ръкохватка	1
Ключ шестограм	1
Многофункционален гаечен ключ	1
Ремък за рамо	1
Ръководство на оператора	1
Фиксиращ прът	1
Външен фланец	1
Гайка	1
Винт	2

BG

## МОНТАЖ

**⚠ ПРЕДУПРЕЖДЕНИЕ:** Ако някои от частите са повредени или липсват, не работете с този продукт, докато частите не се подменят. Използването на този продукт с повредени или липсващи части може да

доведе до сериозно лично нараняване.

**⚠ ПРЕДУПРЕЖДЕНИЕ:** Не се опитвайте да модифицирате този продукт или да създадете аксесоари, които не се препоръчват за употреба с този кордов тример. Всяка такава промяна или модификация е злоупотреба и може да доведе до опасни условия с последици от възможни сериозни наранявания.

**⚠ ПРЕДУПРЕЖДЕНИЕ:** За да предотвратите случайно стартиране, което може да причини сериозно нараняване винаги изваждайте акумулаторната батерия от машината, когато сглобявате частите.

**⚠ ПРЕДУПРЕЖДЕНИЕ:** Когато машината е оборудвана с глава на хросторез, предпазният бариерен прът трябва да бъде монтиран.

## МОНТАЖ НА ПРЕДПАЗИТЕЛЯ

**⚠ ПРЕДУПРЕЖДЕНИЕ:** Винаги носете ръкавици, когато монтирате или подменяте предпазителя. Внимавайте за ножа в предпазителя и защитете своята ръка от порязване.

**⚠ ПРЕДУПРЕЖДЕНИЕ:** Никога не работете с машината без предпазителят да е здраво на мястото му. Предпазителят трябва винаги да е на машината, за да предпазва потребителя! Когато предпазителят е фиксиран, никога не се опитвайте да извадите или да регулирате предпазителя, ако е необходима подмяна, трябва да бъде извършена от квалифициран сервизен техник!

1. Разхлабете и извадете двата винта от предпазителя (фиг. В).
2. Подравнете монтажните отвори на предпазителя с отворите за монтажния механизъм и след това захванете предпазителя в основата на щангата с двата винта заедно с две пружинни шайби (фиг. С).

**БЕЛЕЖКА:** Уверете се, че предпазителят е закрепен съгласно фиг. В и С, всяко закрепване на обратно ще причини голяма опасност!

## МОНТИРАНЕ И РЕГУЛИРАНЕ НА ПРЕДНАТА СПОМАГАТЕЛНА РЪКОХВАТКА

1. Разхлабете фиксиращия прът в предната спомагателна ръкохватка и снемете фиксиращия прът и крилчатата гайка от предната спомагателна ръкохватка (фиг. D).

**БЕЛЕЖКА:** Инсталирайте възела на предпазния бариерен прът върху затворената ръкохватка с двата винта, когато инструментът е оборудван с глава на хросторез.

**БЕЛЕЖКА:** Има два вида фиксиращ прът, късият се

използва с тримерната глава. Дългият се използва с глава на хросторез. Внимавайте да изберете правилния фиксиращ прът, когато използвате инструмента.

D-1	Предна спомагателна ръкохватка	D-4	Предпазен бариерен прът (само за глава на хросторез)
D-2	Затягащ блок	D-5	Фиксиращ прът
D-3	Крилчатата гайка		

2. Натиснете предната ръкохватка върху вала от предната страна на ограничителния пръстен. Никога не я поставяйте между ограничителния пръстен и зоната на задната ръкохватка (Фиг. E).
3. Поставете затягащия блок в отвора на ръкохватката (фиг. F).
4. Монтирайте заключването на пръта и затегнете предварително с крилчатата гайка. Уверете се, че предната спомагателна ръкохватка е нагоре и сочи към върха на задната ръкохватка (фиг. G).
5. Регулирайте предната спомагателна ръкохватка между ограничителния пръстен и етикета, за да сте сигурни, че вашата предна ръка е права, когато работите (фиг. H).
6. Застопорете лоста на фиксиращия прът. (Фиг. I).

**⚠ ПРЕДУПРЕЖДЕНИЕ:** Инструментът не може да бъде използван без сигурно затегната предна спомагателна ръкохватка.

## МОНТИРАНЕ НА РЕМЪКА ЗА РАМО

За безопасна и по-добра работа поставете ремъка върху едно от раменете и напречно на гърба си.

1. Натиснете куката на ремъка, за да я отворите и я закрепете върху монтажната халка за раменния ремък (фиг. J).
2. Регулирайте дължината на ремъка за рамо го поставете в удобно положение за работа - хванете тримера с две ръце, едната ръка на задната ръкохватка, а другата на предната ръкохватка.

**⚠ ПРЕДУПРЕЖДЕНИЕ:** При наличие на аварийна ситуация, незабавно го сваляте от рамото си, независимо по кой начин се намира ремъка.

Не трябва да използвате единичен и двоен ремък за рамо едновременно.

Когато носите ремъка, никое друго преносимо устройство не трябва да пречи на освобождаването от отстраняването на ремъка.



## ЕКСПЛОАТАЦИЯ

**▲ ПРЕДУПРЕЖДЕНИЕ:** Винаги носете предпазни работни очила или предпазни очила със страничен щит заедно със защитата за слуха. Ако не го направите може да се стигне до изхвърляне на предмети към очите ви и други възможни сериозни наранявания.

Може да използвате този продукт за целите описани долу:

**Подкастриане:** използва се за да се премахне тревата и плевелите до стени, огради, дървета и лехи.

**Рязане:** използва се за рязане на трева, която е трудно достъпна използвайки нормална косачка.

**БЕЛЕЖКА:** Инструментът трябва да бъде използван само за предназначения цели. Всяка друга употреба, примерно подрязване на ръбове се смята за случай на злоупотреба.

### МОНТИРАНЕ/ИЗВАЖДАНЕ НА АКУМУЛАТОРНАТА БАТЕРИЯ

Използвайте само с акумулаторни батерии и зарядни устройства изброени на фиг. А2.

#### Заредете напълно преди първата употреба

##### За да закрепите

Подравнете ребрата на акумулаторната батерия с монтажните жлебове и натиснете батерията надолу, докато чуете „щракване“ (Фиг. К).

##### За да извадите

Натиснете бутона за освобождаване на батерията и издърпайте акумулаторната батерия навън, както е показано на фиг. L.

L-1	Бутон за освобождаване на батерията
-----	-------------------------------------

### ХВАЩАНЕ НА КОРДОВИЯ ТРИМЕР

За безопасна и правилна работа, поставете ремъка за рамо през рамото, в съответствие с фиг. N. Настройте ремъка за рамо в удобна позиция за работа. Дръжте кордовия тример с двете ръце: Едната ръка трябва да бъде на задната ръкохватка, а другата на предната спомагателна ръкохватка.

**БЕЛЕЖКА:** Главата на тримера е успоредна на земята на правилно разстояние за рязане, без операторът да се превежда (фиг. N).

Има два начина да освободите ремъка. Свалете го директно от вашето рамо (фиг. O) или натиснете куката на ремъка и я отделете от монтажната халка за раменния ремък, закрепена на щангата (фиг. P).

**▲ ПРЕДУПРЕЖДЕНИЕ:** Ремъкът за рамо, също

е механизъм за бързо освобождаване при опасни ситуации. При наличие на аварийна ситуация, незабавно го свалете от рамото си, независимо по кой начин се намира ремъка.

### СТАРТИРАНЕ/СПИРАНЕ НА КОРДОВИЯ ТРИМЕР (Фиг. M)

#### За да стартирате

Натиснете и задръжте лоста за отключване и след това натиснете спусъка. Различен натиск върху спусъка води до различна скорост на въртене на режещата корда. Повече натиска, по-висока скорост.

#### За да спрете

Освободете спусъка.

**БЕЛЕЖКА:** Моторът се движи единствено, когато бутонът за отключване и спусъка са натиснати заедно.

#### Функция за регулиране на скоростта (Фиг. M)

Кордовият тример има две скорости. Позиция „1“ е за ниска скорост, докато позиция „2“ е за висока скорост.

M-1	Превключвател за скорост висока/ниска
M-2	Бутон за отключване
M-3	Спусък

### ИЗПОЛЗВАНЕ НА КОРДОВИЯ ТРИМЕР

Почистете зоната, която трябва да бъде подрязана преди всяка употреба. Почистете всички обекти, като камъни, счупени стъкла, пирони, кабели или въжета, които могат да бъдат изхвърлени или да се оплетат в приставката за рязане. Изчистете зоната от деца, околни хора или домашни любимци. Като минимум дръжте всички деца, околни хора и домашни любимци минимум на 15 м разстояние, въпреки това пак може да съществува риск за околните от изхвърлени обекти. Околните наблюдатели трябва да бъдат насърчени да носят защита за очите. Ако бъдете приближен от човек спрете незабавно мотора и приставката за рязане.

#### Преди всяка употреба проверявайте за повредени/износени части

Проверете ударната глава, предпазителя и предната спомагателна ръкохватка и подменете всички части, които са напукани, деформирани, изкривени или повредени по някакъв начин.

Режещият нож за кордата на ръба на предпазителя може да се изтъпи в течение на времето. Препоръчва се периодично да го заточвате с пила или да го подмените с нов нож.

**▲ ПРЕДУПРЕЖДЕНИЕ:** Винаги носете ръкавици,

когато монтирате или подмените предпазителя или когато заточвате или подменяте режещия нож за кордата. Отбележете позицията на ножа върху предпазителя и защитете вашата ръка от нараняване.

## Проверете за блокиране на главата на тримера

- За да предотвратите блокиране, поддържайте главата на тримера чиста. Отстранявайте окосената трева, листата, мръсотията и всякакви други натрупани отпадъци преди и след всяка употреба.
- Когато се случи запушване, спрете тримера и извадете батерията, след което отстранете всяка трева, която може да се е увила около вала на двигателя или главата на тримера.

След всяка употреба почистете тримера.

## РЕГУЛИРАНЕ НА ДЪЛЖИНАТА НА РЕЖЕЩАТА КОРДА

Главата на тримера позволява на оператора да отпусне повече режеща корда без да спира мотора. Когато кордата стане разкъсана или износена, може да бъде отпусната допълнителна корда чрез леко потупване в земята на главата на тримера (Фиг. Q).

**БЕЛЕЖКА:** Освобождането на корда ще стане по трудно, с намаляването на кордата.

**⚠ ПРЕДУПРЕЖДЕНИЕ:** Не премахвайте или променяйте устройството на режещия нож за кордата. Прекалената дължина на кордата ще причини прегряване на мотора и може да доведе до сериозно нараняване.

## ПОДМЯНА НА КОРДАТА

**БЕЛЕЖКА:** Използвайте винаги препоръчителната найлонова режеща корда с диаметър не по-голям от 2,4 мм. Използване на корда различна от посочената може да причини прегряване или повреда на тримера.

**⚠ ПРЕДУПРЕЖДЕНИЕ:** Не използвайте никога усилена с метал корда, тел или въже и т.н. Те могат да се счупят и да станат опасни летящи предмети.

1. Премахнете акумулаторната батерия.
2. Премахнете оставащата корда за рязане ако е необходимо.
3. Отрежете 4 м корда вкарайте кордата в монтажния отвор вътре в ухото (фиг. R). Избутайте и дрпнете кордата от другата страна, докато едновременно количество корда се появи от двете страни на макарата.
4. Натиснете, докато въртите възела на долния капак по посока на стрелката, за да навиете кордата в макарата, докато остане приблизително 14 см корда, показваща се от двете страни (Фиг. S).

5. Бутнете надолу възела на долния капак, докато издърпвате кордата за да я придвижите ръчно напред и да проверите за правилно сглобяване на главата на тримера.

Когато кордата за рязане се откъсне от изхода за кордата или кордата за рязане не се освобождава, когато потупвате главата на тримера, следвайте долните стъпки:

1. Натиснете пластината за освобождение на горния капак и снемете долния капак, като го издърпате право навън (Фиг. T и U).
2. Извадете кордата за рязане от макарата.
3. Като държите с една ръка възела на долния капак, използвайте другата ръка за да хванете възела на долния капак и подравнете пластините на горния капак с отворите във възела на долния капак (Фиг. V); използвайте дланта си, за да притиснете възела на долния капак, докато пластините се фиксират в горния капак.
4. Следвайте инструкциите в „ПОДМЯНА НА КОРДАТА“, за да презаредите режещата корда.

## ПОДМЯНА НА НОЖА С 3 ЗЪБА

**БЕЛЕЖКА:** За да се защитите срещу нараняване, трябва да носите ръкавици преди всяка работа с ножа с 3 зъба.

1. Снемете възела на долния капак както на фиг. T и U
2. Вкарайте стабилизатора, след това използвайте ударен гайковерт, за да развийте гайката като на фиг. X1 и X2.
3. Отстранете всички части с изключение на вътрешния фланец и гайката (фиг. X3), монтирайте ножа върху вала на двигателя като на фиг. X4.
4. Затегнете ножа като на фиг. X5.

**⚠ ПРЕДУПРЕЖДЕНИЕ:** Когато режете млади насаждения или други дървени материали, до 2 см в диаметър, използвайте лявата страна на ножа, за да избегнете ситуации на тласкане на ножа. Не се опитвайте да режете дървесни материали с по-голям диаметър, тъй като ножът може да се захване или да издърпа хростореза напред. Това може да доведе до повреда на ножа или на хростореза, или загуба на контрол на хростореза, което да доведе до нараняване.

**БЕЛЕЖКА:** Заточвайте ножа редовно (когато е зъплен забележимо) и го дайте за балансиране, ако е необходимо (извършва се от квалифициран сервизен техник).

## ПОДДРЪЖКА

**⚠ ПРЕДУПРЕЖДЕНИЕ:** Когато обслужвате,

използвайте само идентични резервни части. Проверявайте и поддържайте машината редовно. За да осигурите безопасността и надеждността, всички поправки трябва да се извършват от квалифициран сервизен техник.

**▲ ПРЕДУПРЕЖДЕНИЕ:** За да предотвратите сериозно нараняване, извадете акумулаторната батерия от инструмента, преди обслужване, почистване, смяна на приставките или изваждане на материал от устройството.

**▲ ВНИМАНИЕ:** Запушвания на вентилационните отвори ще предотвратят навлизане на въздух във корпуса мотора и ще доведат до прегряване или повреда на мотора.

### ПОЧИСТВАНЕ НА УРЕДА

- Почистете уреда използвайки влажна кърпа и мек почистващ препарат. Никога не позволявайте каквато и да е течност да навлезе вътре в инструмента, никога не потапяйте някоя част от инструмента във вода.
- Не използвайте силен почистващ препарат по пластмасата на корпуса или ръкохватката. Те могат да бъдат повредени от определени ароматни масла като бор и лимон и от разтворители като керосин. Влагата също може да причини токов удар. Избършете всякаква влага със суха мека кърпа.
- Използвайте малка четка или изпусканата въздушна струя от малка четка на прахосмукачка за да почистите, вентилационните отвори в задната страна на корпуса.
- По всяко време пазете вентилационните отвори в корпуса на мотора от отпадъци.

### СМАЗВАНЕ НА ПРЕДАВКИТЕ НА ТРАНСМИСИЯТА

Предавките на трансмисията в предавателната кутия трябва да бъдат периодично смазвани със смазка за редукторни предавки. Проверете нивото на смазката в предавателната кутия приблизително на всеки 50 часа работа, като извадите уплътняващия винт от страни на кутията.

Ако не може да бъде видяна смазка по страните на редуктора, следвайте долните стъпки за да запълните с грес за редукторни предавки до 3/4 от капацитета. Не напълвайте изцяло предавките на трансмисията.

1. Дръжте тримера на една страна, така че уплътняващият винт да сочи нагоре (фиг. W).
2. Използвайте предоставения мултифункционален ключ за да разхлабите и премахнете

уплътняващия винт.

3. Използвайте гресьорка (не е включена) за да вкарате малко грес е отвора на винта, не надвишавайте 3/4 от капацитета.
4. Затегнете уплътняващия винт след гресирането.

### СЪХРАНЯВАНЕ НА УРЕДА

- Извадете акумулаторната батерия от кордовия тример, когато не е в употреба.
- Почистете изцяло инструмента преди да го съхраните.
- Съхранете уреда в сухо място с добра вентилация, заключен или съхраняван на високо извън достъпа на деца. Не съхранявайте уреда в близост или върху тор, бензин или други химикали.
- Използвайте калъфа за ножа върху ножа с 3 зъба по време на транспортиране и съхранение.

### Опазване на околната среда



Не изхвърляйте електрическо оборудване, използвана батерия или зарядно устройство в домакинския отпадък! Отнесете продукта до упълномощена фирма за рециклиране и го предоставете за отделно събиране. Електрическите инструменти трябва да бъдат връщани в съоръжения за рециклиране съвместими с околната среда.

## ОТСТРАНЯВАНЕ НА ПРОБЛЕМИ

ПРОБЛЕМ	ПРИЧИНА	РЕШЕНИЕ
Кордовият тример не може да стартира.	<ul style="list-style-type: none"> <li>■ Аккумуляторната батерия не е прикрепена към тримера.</li> <li>■ Няма електрически контакт между тримера и батерията.</li> <li>■ Аккумуляторната батерия е изтощена.</li> <li>■ Бутонът за отключване и спусъкът не са натиснати едновременно.</li> </ul>	<ul style="list-style-type: none"> <li>■ Закрепете аккумуляторната батерия към тримера.</li> <li>■ Извадете батерията, проверете контактите и поставете ново аккумуляторната батерия.</li> <li>■ Заредете аккумуляторната батерия.</li> <li>■ Натиснете и задръжте бутона за отключване и след това натиснете спусъка за да включите тримера.</li> </ul>
Кордовият тример спира по време на рязане.	<ul style="list-style-type: none"> <li>■ Предпазителят не е монтиран на тримера, което води до прекалено дълга режеща корда и прегряване на мотора.</li> <li>■ Използвана е тежка корда за рязане.</li> <li>■ Валът на мотора и тримерната глава са обвити в трева.</li> <li>■ Моторът е претоварен.</li> <li>■ Аккумуляторната батерия или кордовият тример са твърде горещи.</li> <li>■ Аккумуляторната батерия е разединена от инструмента.</li> <li>■ Аккумуляторната батерия е изтощена.</li> </ul>	<ul style="list-style-type: none"> <li>■ Извадете аккумуляторната батерия и монтирайте предпазителя на тримера.</li> <li>■ Използвайте препоръчана найлонова режеща корда с диаметър не повече от 2,4 мм.</li> <li>■ Спрете тримера, извадете батерията и извадете тревата от вала на мотора и тримерната глава.</li> <li>■ Извадете тримерната глава от тревата. Моторът ще се възстанови за работа веднага след като товарът бъде отстранен. Когато режете изваждайте и вкарвайте тримерната глава в тревата, която трябва да бъде отрязана и отстранявайте не повече от 20 см дължина на единично рязане.</li> <li>■ Позволете на аккумуляторната батерия или тримера да се охлади, докато температурата спадне под 67°C.</li> <li>■ Монтирайте отново аккумуляторната батерия.</li> <li>■ Заредете аккумуляторната батерия.</li> </ul>

ПРОБЛЕМ	ПРИЧИНА	РЕШЕНИЕ
Главата на тримера не издърпва кордата.	<ul style="list-style-type: none"> <li>■ Валът на мотора и тримерната глава са обвити в трева.</li> <li>■ Няма достатъчно корда на макарата.</li> <li>■ Главата на тримера е замърсена.</li> <li>■ Кордата е оплетена върху макарата.</li> <li>■ Кордата е твърде къса.</li> </ul>	<ul style="list-style-type: none"> <li>■ Спрете тримера, извадете батерията и почистете вала на мотора и тримерната глава.</li> <li>■ Отстранете батерията и подменете кордата за рязане, следвайте раздел "ПОДМЯНА НА КОРДАТА" в това ръководство.</li> <li>■ Извадете батерия и почистете главата на тримера.</li> <li>■ Извадете батерията, извадете кордата от главата на тримера и превъртете, следвайте раздел "ПРЕЗАРЕЖДАНЕ НА РЕЖЕЩАТА КОРДА" в това ръководство.</li> <li>■ Извадете батерията и издърпайте ръчно кордата, като последователно натиснете и освободите главата на тримера.</li> </ul>
Тревата обгръща главата на тримера и корпуса на мотора.	<ul style="list-style-type: none"> <li>■ Рязане на висока трева при нивото на земята.</li> </ul>	<ul style="list-style-type: none"> <li>■ Режете висока трева от горе на долу, като не отстранявате повече от 20 см при всяко преминаване за да предотвратите увиване.</li> </ul>
Пукнатини по тримерната глава или възелът на долния капак се е разхлабил от горния капак.	<ul style="list-style-type: none"> <li>■ Главата на тримера е износена.</li> </ul>	<ul style="list-style-type: none"> <li>■ Осигурете незабавна смяна на главата на тримера от квалифициран сервизен техник.</li> </ul>

## ГАРАНЦИЯ

### ГАРАНЦИОННА ПОЛИТИКА EGO

Моля, посетете уебсайта [egopowerplus.eu](http://egopowerplus.eu) за пълните срокове и условия по гаранционната политика на EGO.

BG

## PROČITAJTE UPUTE U CIJELOSTI!



PROČITAJTE PRIRUČNIK ZA RUKOVATELJE.



Simbol upozorenja



Nosite zaštitu za oči.



Nemojte upotrebljavati metalne noževe



Udaljenost između stroja i promatrača mora biti najmanje 15 m.



Promjer rezne niti - promjer najlonske rezne niti



Ovaj proizvod je u skladu s važećim direktivama EU.



Otpadni električni proizvodi ne smiju se odlagati s otpadom iz kućanstva. Odnosite ih u ovlašteni centar za reciklažu.

V Napon

.../min U minuti

kg Kilogram

## SIGURNOSNI SIMBOLI

**⚠ UPOZORENJE:** Rukovanje električnim alatima može rezultirati odbacivanjem stranih predmeta u oči što opet može izazvati teška oštećenja očiju. Prije početka rukovanja električnim alatom nosite zatvorene zaštitne naočale ili zaštitne naočale s bočnim štitnicima, a prema potrebi i štitičnik za cijelo lice. Preporučujemo nošenje sigurnosne maske proizvođača Wide Vision preko naočala, ili nošenje standardnih zaštitnih naočala s bočnim štitnicima.



S razumijevanjem pročitajte korisnički priručnik



Nosite zaštitu za sluh.



Čuvajte se bačenih predmeta



Odvoyite bateriju prije održavanja



Širina rezanja - maksimalna širina rezanja šišača s reznom niti



ovaj proizvod sukladan je važećim zakonima u UK.



Zajamčena razina snage zvuka. Emisija buke u okruženju u skladu je sa smjernicama Europske unije.

$n_0$  Brzina vrtnje u praznom hodu - brza okretanja bez opterećenja

⚡ Istosmjerna struja

IPX4 Zaštita od prskajuće vode

## TEHNIČKI PODACI

	Glava šišača	Trokraki nož	
Napon	56 V	56 V	
Preporučena radna temperatura:	0°C-40°C		
Preporučena temperatura skladištenja:	-20°C-70°C		
Optimalna temperatura punjenja	5°C-40°C		
Brzina bez opterećenja	5000/6000 min <sup>-1</sup>	5000/6000 min <sup>-1</sup>	
Tip rezne niti	2,4 mm	/	
Rezni nož	/	ABB1203	
Širina reza	38 cm	30cm	
Masa (bez baterijskog modula)	4,21 kg	4,45 kg	
Izmjerena razina zvučne snage L <sub>VIA</sub>	94,6 dB(A) K=1,8 dB(A)	96,5 dB(A) K=1,88 dB(A)	
Razina zvučnog tlaka kod uha rukovatelja L <sub>PA</sub>	81,7 dB(A) K=2,5 dB(A)	76,5 dB(A) K=3 dB(A)	
Zajamčena razina zvučne snage L <sub>VIA</sub> (sukladno Direktivi 2000/14/EZ)	96 dB(A)	98 dB(A)	
Vibracija a <sub>h</sub>	Prednji pomoćni rukohvat	3,2 m/s <sup>2</sup> K=1,5 m/s <sup>2</sup>	2,8 m/s <sup>2</sup> K=1,5 m/s <sup>2</sup>
	Stražnji rukohvat	2,3 m/s <sup>2</sup> K=1,5 m/s <sup>2</sup>	3,1 m/s <sup>2</sup> K=1,5 m/s <sup>2</sup>

- Deklarirane ukupne vrijednosti vibracija izmjerene su u skladu sa standardnom metodom ispitivanja i mogu se koristiti za usporedbu jednog alata s drugim.
- Deklarirane ukupne vrijednosti vibracija mogu se koristiti i u preliminarnoj procjeni izloženosti.

**NAPOMENA!** Emisija vibracija tijekom aktualnog korištenja električnog alata može se razlikovati od deklarirane vrijednosti u kojoj se alat upotrebljavao; Radi zaštite rukovatelja korisnik treba nositi rukavice i štitnike za uši u aktualnim uvjetima uporabe.

## OPIS

### UPOZNAJTE SVOJ ŠIŠAČ S REZKOM NITI (sl. A1)

1. Granični prsten
2. Okidač

3. Stražnji rukohvat
4. Ulaz za zrak
5. Gumb za deblokadu
6. Sklopka za visoku/nisku brzinu
7. Nosač naramenice
8. Podesivi prednji pomoćni rukohvat
9. Ramena traka
10. Višefunkcijski ključ
11. Imbus ključ
12. Glava šišača trave (reza glava)
13. Rezna nit
14. Jezičac za oslobađanje
15. Nož za rezanje rezne niti
16. Štitnik
17. Mehanizam za izbacivanje
18. Električni kontakti
19. Zapor
20. Gumena zaštita
21. Gumb za oslobađanje baterije
22. Sigurnosna granična šipka (samo za glavu obrezivača grmlja)
23. Poluga za zaključavanje sigurnosne granične šipke (samo za glavu obrezivača grmlja)
24. Vanjska prirubnica (samo za glavu obrezivača grmlja)
25. Matica (samo za glavu obrezivača grmlja)
26. Vijci (samo za glavu obrezivača grmlja)

## SADRŽAJ PAKIRANJA

NAZIV DIJELA	KOLIČINA
Šišač s reznom niti	1
Štitnik	1
Sklop prednjeg pomoćnog rukohvata	1
Imbus ključ	1
Višefunkcijski ključ	1
Ramena traka	1
PRIRUČNIK ZA RUKOVATELJE	1
Štap za fiksiranje	1
Vanjska prirubnica	1
Matica	1
Vijak	2

## SASTAVLJANJE

**⚠ UPOZORENJE!** Ako je bilo koji dio oštećen ili ako nedostaje, nemojte upotrebljavati ovaj proizvod dok se ne zamijene dijelovi. Upotreba ovog proizvoda oštećenih dijelova ili dijelova koji nedostaju može rezultirati teškim tjelesnim ozljedama.

**⚠ UPOZORENJE!** Ne pokušavajte obavljati preinake na ovom proizvodu ili raditi pribor koji nije preporučan za uporabu s ovim šišačem trave s reznom niti. Sve takve izmjene ili preinake predstavljaju nepropisnu uporabu i mogu rezultirati opasnim stanjima koja mogu dovesti do mogućih teških tjelesnih ozljeda.

**⚠ UPOZORENJE!** Kako biste spriječili slučajno pokretanje koje može prouzročiti teške tjelesne ozljede, baterijski modul uvijek uklonite iz stroja kada sastavljate dijelove.

**⚠ UPOZORENJE!** Kada je stroj opremljen glavom obrezivača grmlja, mora se postaviti sigurnosna granična šipka.

### POSTAVLJANJE ŠTITNIKA

**⚠ UPOZORENJE!** Pri postavljanju ili zamjeni štitnika nosite rukavice. Pazite na nož na štitniku i zaštitite ruke od posjeklina.

**⚠ UPOZORENJE!** Stroj ne upotrebljavajte bez dobro pričvršćenog štitnika. Štitnik mora uvijek biti na stroju radi zaštite korisnika! Kada je štitnik učvršćen, nemojte ga skidati ili podešavati. Ako ga je potrebno zamijeniti, neka to obavi kvalificirani serviser!

1. Otpustite i uklonite dva vijka sa štitnika (sl. B).
2. Poravnajte otvore za postavljanje štitnika s otvorima za postavljanje i zatim pričvrstite štitnik na postolje osovine pomoću dva vijka i dvije opružne podloške (sl. C).

**NAPOMENA:** Uvjerite se da je štitnik pričvršćen u skladu sa slikama B i C jer ćete u suprotnom biti u velikoj opasnosti!

### POSTAVLJANJE I PODEŠAVANJE PREDNJEG POMOĆNOG RUKOHVATA

1. Otpustite štap za fiksiranje na prednjem pomoćnom rukohvatu i uklonite štap za fiksiranje i krilnu maticu s prednjeg pomoćnog rukohvata (sl. D).

**NAPOMENA:** Kada se na alatu nalazi glava obrezivača grmlja, pomoću dva vijka postavite sklop sigurnosne granične šipke na pomoćnu ručku.

**NAPOMENA:** Postoje dvije vrste štapa za fiksiranje, kraći se koristi za glavu šišača. Duži se koristi za glavu obrezivača grmlja. Pažljivo odaberite odgovarajući štap za fiksiranje prilikom korištenja alata.

D-1	Prednji pomoćni rukohvat	D-4	Sigurnosna granična šipka (samo za glavu obrezivača grmlja)
D-2	Stezni blok	D-5	Štap za fiksiranje
D-3	Krilna matica		

2. Gurnite prednji pomoćni rukohvat na prednju stranu graničnog prstena na vratilu. Ne postavljajte ga između graničnog prstena i područja stražnjeg rukohvata (sl. E).
3. Ubacite stezni blok u utor za dršku (Sl. F).
4. Montirajte štap za fiksiranje i stegnite ga krilnom maticom. Pazite da prednji rukohvat bude gore i okrenut prema gornjem dijelu stražnje drške (sl. G).
5. Prednji pomoćni rukohvat namjestite između graničnog prstena i naljepnice tako da Vaša prednja ruka bude ispružena tijekom rada (sl. H).
6. Fiksirajte polugu na štapu za fiksiranje. (sl. I).

**⚠ UPOZORENJE!** Alat se ne smije upotrebljavati ako prednji pomoćni rukohvat nije dobro pričvršćen.

### POSTAVLJANJE RAMENE TRAKE

Za siguran i bolji rad, stavite remen preko jednog od ramena i preko leđa.

1. Pritisnite kuku za traku kako biste je oslobodili i pričvrstite je na nosač ramene trake (sl. J).
2. Podesite duljinu naramenice i položaj u udoban radni položaj - držite šišač s obje ruke: jednom rukom na stražnjem, a drugom na prednjem rukohvatu.

**⚠ UPOZORENJE!** U slučaju nužde, naramenicu odmah skinite s ramena bez obzira na koji način naramenica postavljena.

Ne biste trebali istodobno koristiti jednostruku i dvostruku traku za rame.

Kada nosite naramenicu, nijedno drugo nosivo sredstvo ne smije ometati otpuštanje i uklanjanje naramenice.

## RAD

**⚠ UPOZORENJE!** Uvijek nosite zatvorene zaštitne naočale ili zaštitne naočale s bočnim štitnicima, zajedno sa zaštitom za sluh. Nepostupanje u skladu s tim može



rezultirati odbacivanjem predmeta u oči i drugim mogućim teškim ozljedama.

Proizvod možete koristiti za svrhe navedene u nastavku:

**Šišanje:** koristi se za uklanjanje trave i korova oko zidova, ograda, stabala i pregrada.

**Košnja:** koristi se za košenje trave koju je teško dohvatiti uobičajenom kosilicom.

**OBAVIJEST:** Alat se smije upotrebljavati samo za prethodno opisanu namjenu. Svaka druga uporaba, kao što je primjerice rubno šišanje, smatra se nepropisnom uporabom.

## POSTAVLJANJE I SKIDANJE BATERIJSKOG MODULA

Upotrebljavajte samo s baterijskim modulima i punjačima koji su navedeni na sl. A2.

**Baterijski modul napunite u potpunosti prije prve uporabe.**

### Postavljanje

Poravnajte izbočenja baterije s montažnim utorima i utiskujte baterijski modul prema dolje dok ne začujete klik (sl. K).

### Skidanje

Pritisnite gumb za oslobađanje baterije i izvucite baterijski modul kako je prikazano na sl. L.

L-1	Gumb za oslobađanje baterije
-----	------------------------------

## DRŽANJE ŠIŠAČA S NITI

Za siguran i bolji rad nosite traku za rame preko ramena kako je prikazano na slici N. Podesite traku za rame u udoban radni položaj. Držite šišač s niti čvrsto objema rukama: Jednu ruku držite na stražnjem rukohvatu, a drugu ruku na prednjem pomoćnom rukohvatu.

**OBAVIJEST:** Glava šišača treba biti paralelna s tlom na odgovarajućoj reznoj udaljenosti, a da se rukovatelj ne treba saginjati (sl. N).

Postoje dva načina za oslobađanje trake. Skinite je izravno s ramena (sl. O) ili pritisnite kukicu trake i odvojite je od nosača ramene trake pričvršćenog na vratilu (sl. P).

**⚠ UPOZORENJE:** Ramena traka je i mehanizam za brzo oslobađanje u opasnim situacijama. U slučaju nužde ramenu traku odmah skinite s ramena, bez obzira na koji način traka postavljena.

## POKRETANJE/ZAUSTAVLJANJE ŠIŠAČA S NITI (sl. M)

### Pokretanje

Pritisnite ručicu za otključavanje i zatim pritisnite okidač. Različiti pritisak na okidač rezultira različitim brzinama rotacije rezne niti. Što se jače pritišće, brzina će biti veća.

### Zaustavljanje

Otpustite okidač.

**OBAVIJEST:** Motor radi samo kad se pritisnu gumb za deblokadu i okidač.

### Funkcija podešavanja brzine (sl. M)

Šišač s reznom niti ima dvije brzine. Položaj "1" služi za spore brzine dok položaj "2" služi za visoke brzine.

M-1	Sklopka za visoku/nisku brzinu
M-2	Gumb za deblokadu
M-3	Okidač

## UPORABA ŠIŠAČA S REZONOM NITI

Prije svake uporabe očistite radno područje. Uklonite sve predmete poput kamenja, razbijenog stakla, čavala, žica ili niti koje stroj može odbaciti ili koji se mogu zaplesti u rezni priključak. Iz područja udaljite djecu, promatrače i kućne ljubimce. Djecu, promatrače i kućne ljubimce udaljite najmanje 15 m; čak i tada postoji opasnost od odbačenih predmeta za promatrače. Promatrače potaknite da nose zaštitu za oči. Ako vam netko prilazi, odmah zaustavite motor i rezni priključak.

### Prije svake uporabe provjerite da nema oštećenih/istrošenih dijelova

Provjerite glavu šišača trave, štitnik i prednji pomoćni rukohvat i zamijenite dijelove koji su napukli, deformirani, svinuti ili oštećeni na bilo koji način.

Nož za rezanje rezne niti na rubu štitnika vremenom može otupjeti. Preporučujemo povremeno oštrenje noža turpijom ili zamjenu noža novim.

**⚠ UPOZORENJE:** Nosite zaštitne rukavice pri postavljanju ili zamjeni štitnika, pri oštrenju ili zamjeni noža. Zabilježite mjesto noža na štitniku i zaštitite ruke od ozljeda.

### Provjerite je li glava šišača začepljena

- Da biste spriječili začepljenje, držite glavu šišača čistom. Uklonite pokošenu travu, lišće, prljavštinu i sve ostale nakupljene ostatke prije i nakon svake uporabe.
- Kada dođe do začepljenja, zaustavite šišač s reznom niti i izvadite bateriju, a zatim uklonite svu travu koja se omotala oko vratila motora ili glave šišača.

**Šišač s reznom niti očistite nakon svake uporabe.**

## PODEŠAVANJE DULJINE REZNE NITI

Glava šišača trave rukovatelju omogućuje otpuštanje više rezne žinje bez zaustavljanja motora. Ako se rezna nit pohaba ili istroši, laganim doticanjem glave šišača trave o tlo tijekom rukovanja šišačem trave moguće je otpustiti više niti (sl. Q).

**OBAVIJEST:** Otpuštanje niti postaje teže kako se rezna nit skraćuje.

**⚠ UPOZORENJE:** Ne uklanjajte sklop rezne oštrice i ne obavljajte preinake na njemu. Prekomjerna duljina niti prouzročit će pregrijavanje motora što može rezultirati teškim tjelesnim ozljedama.

## ZAMJENA REZNE NITI

**OBAVIJEST:** Koristite preporučenu najlonsku reznu nit promjera ne većeg od 2,4 mm. Upotreba nepreporučenih reznih niti može prouzročiti pregrijavanje ili oštećenje šišača trave.

**⚠ UPOZORENJE:** Nikada nemojte koristiti metalom ojačane žinje, žice ili užad i sl. Mogu se odlomiti i postati opasni projektili.

1. Uklonite baterijski modul.
2. Ako je potrebno, uklonite preostalu reznu nit.
3. Odrežite reznu nit na duljinu 4 m. Umetnite reznu nit u montažnu rupu u ušici (sl. R). Provucite reznu nit i povlačite je s druge strane dok rezna nit ne bude iste duljine s obje strane koluta.
4. Pritisnite dok sklop donjeg poklopca okrećete u smjeru strelice kako biste reznu nit namotali na kalem tako da sa svake strane ostane oko 14 cm rezne niti (sl. S).
5. Gurnite sklop donjeg poklopca prema dolje pritom povlačeći reznu nit kako biste je ručno pomakli prema naprijed i provjerili ispravnu montažu glave šišača trave.

Ako se rezna nit otkine od izlaza niti ili ako se rezna nit ne otpušta lupkanjem glave šišača, učinite sljedeće:

1. Pritisnite jezičce za otpuštanje na gornjem poklopcu i uklonite sklop donjeg poklopca povlačeći ga ravno van (sl. T i U).
2. Uklonite reznu nit s kalema.
3. Jednom rukom držite sklop donjeg poklopca, drugom rukom uzмите sklop donjeg poklopca i poravnajte jezičce na gornjem poklopcu s rupama u sklopu donjeg poklopca (sl. V); dlanom pritisnite sklop donjeg poklopca dok jezičci ne ulegnu u gornji poklopac.

4. Za ponovno namotavanje rezne niti slijedite upute u poglavlju "ZAMJENA REZNE NITI".

## ZAMJENA TROKRAKOG NOŽA

**OBAVIJEST:** Da biste se zaštitili od ozljeda, morate nositi rukavice prilikom bilo kakvog rukovanja s trokrakim nožem.

1. Uklonite sklop donjeg poklopca kako je prikazano na sl. T i U
2. Umetnite stabilizator i olabavite maticu pomoću udarnog ključa kao na sl. X1 i X2.
3. Uklonite sve dijelove osim unutarnje pribirnice i matice (sl. X3), montirajte nož na vratilo motora kako je prikazano na sl. X4.
4. Pritegnite nož kao na sl. X5.

**⚠ UPOZORENJE:** Ako režete mlado raslinje ili drugi drveni materijal promjera do 2 cm, koristite lijevu stranu noža kako biste izbjegli povratni udar. Ne pokušavajte rezati drveni materijal većeg promjera jer nož može zapeti ili obrezivač gmlja uz trzaje povući prema naprijed. Time se može prouzročiti oštećenje noža ili čistača šikare ili gubitak kontrole nad obrezivačem gmlja uz tjelesne ozljede.

**OBAVIJEST:** Redovito oštrite nož (ako je primjetno tup) i prema potrebi ga uravnotežite (postupak prepustite kvalificiranom servisnom tehničaru).

## ODRŽAVANJE

**⚠ UPOZORENJE:** Pri servisiranju koristite samo identične zamjenske dijelove. Redovito obavljajte preglede i održavajte stroj. Radi sigurnosti i pouzdanosti sve popravke treba obavljati kvalificirani servisni tehničar.

**⚠ UPOZORENJE:** Radi sprečavanja teških tjelesnih ozljeda, prije servisiranja, čišćenja, promjene priključaka ili uklanjanja materijala iz uređaja izvadite komplet baterija iz alata.

**⚠ OPREZ!** Prepreke u ventilacijskim otvorima sprječavaju da zrak struji u kućište motora što uzrokuje pregrijavanje ili oštećenje motora.

## ČIŠĆENJE UREĐAJA

- Jedinicu očistite vlažnom krpom i blagim deterdžentom. Nemojte dopustiti da tekućina uđe u alat; Ne uranjajte nijedan dio alata u tekućinu.
- Za čišćenje plastičnog kućišta ili rukohvata ne koristite jake deterdžente jer mogu ih oštetiti neka aromatična ulja, kao što su borovo i limunovo ulje i otapala kao što

je kerozin. Vлага može izazvati opasnost od strujnog udara. Vlažna mjesta obrišite mekanom suhom krpom.

- Za čišćenje ventilacijskih otvora na stražnjem kućištu koristite malu četku ili mali usisavač.
- Održavajte ventilacijske otvore kućišta motora u svakom trenutku bez nečistoća.

### PODMAZIVANJE PRIJENOSNIKA

Prijenosnike u kućištu potrebno je povremeno podmazivati mašću za prijenosnike. Razinu masti u kućištu prijenosnika provjeravajte svakih 50 radnih sati uklanjanjem brtvenog vijka na strani kućišta.

Ako se na bočnim stranama prijenosnika ne vidi mast, za punjenje s mašću za prijenosnike do 3/4 zapremine slijedite korake u nastavku. Prijenosnik nemojte puniti u cijelosti.

1. Držite šišač trave na njegovoj bočnoj strani tako da brtveni vijak bude usmjeren prema gore (sl. W).
2. Za otpuštanje i uklanjanje brtvenog vijka koristite isporučeni višefunkcijski ključ.
3. Za ubrizgavanje masti kroz otvor vijka koristite brizgaljku za mast (nije u sadržaju isporuke); ne prekoračujte 3/4 zapremine.
4. Brtveni vijak pritegnite nakon ubrizgavanja.

### SKLADIŠTENJE JEDINICE

- Ako ga ne koristite, uklonite bateriju iz šišača.
- Prije skladištenja temeljito očistite alat.
- Jedinicu skladištite na suhom, dobro prozračenom mjestu koje je moguće zaključati ili koje je na visini izvan dohvata djece. Uredaj nemojte pohranjivati na gnojivima, benzinu ili drugim kemikalijama.
- Prije transporta i skladištenja postavite omotač noža na trokraki nož.

### Zaštita okoliša



Električnu opremu, iskorištenu bateriju i punjač ne odlažite u otpad iz kućanstva! Ovaj proizvod odnesite u ovlaštenu centar za reciklažu i time omogućite odvojeno sakupljanje. Električne alate potrebno je vratiti u ekološki prihvatljiv pogon za reciklažu.

## OTKLANJANJE SMETNJI

PROBLEM	UZROK	RJEŠENJE
Šišač trave s reznom niti ne pokreće se.	<ul style="list-style-type: none"> <li>■ Baterijski modul nije priključen na šišač.</li> <li>■ Nema električnog kontakta između šišača i baterije.</li> <li>■ Baterijski modul je ispražnjen.</li> <li>■ Gumb za deblokadu i okidač ne pritišću se istodobno.</li> </ul>	<ul style="list-style-type: none"> <li>■ Postavite baterijski modul na šišač.</li> <li>■ Izvadite bateriju, provjerite kontakte i ponovno stavite baterijski modul.</li> <li>■ Napunite baterijski modul.</li> <li>■ Pritisnite gumb za deblokadu i držite ga pritisnutom, a zatim pritisnite okidač kako biste uključili šišač trave s reznom niti.</li> </ul>
Šišač trave s reznom niti zaustavlja se tijekom rezanja.	<ul style="list-style-type: none"> <li>■ Štitnik nije postavljen na šišač trave, što rezultira predugačkom reznom niti i preopterećenjem motora.</li> <li>■ Koristi se debela rezna nit.</li> <li>■ Vratilo motora ili glavu šišača trave blokira trava.</li> <li>■ Motor je preopterećen.</li> <li>■ Baterijski modul ili šišač trave s reznom niti previše je vruć.</li> <li>■ Komplet baterija odspojen je od alata.</li> <li>■ Baterijski modul je ispražnjen.</li> </ul>	<ul style="list-style-type: none"> <li>■ Uklonite baterijski modul i na šišač trave postavite štitnik.</li> <li>■ Koristite preporučenu najlonsku reznu nit promjera ne većeg od 2,4 mm.</li> <li>■ Zaustavite šišač trave, izvadite bateriju i očistite travu s vratila motora i glave šišača trave.</li> <li>■ Uklonite glavu šišača s trave. Motor će se oporaviti i biti spreman za rad čim se ukloni opterećenje. Glavu šišača prilikom šišanja pomičite u travu i iz trave i jednim rezom ne uklanjajte više od 20 cm duljine.</li> <li>■ Pričekajte da se baterijski modul ili šišač ohladi na temperaturu ispod 67°C.</li> <li>■ Ponovno stavite komplet baterija.</li> <li>■ Napunite baterijski modul.</li> </ul>

PROBLEM	UZROK	RJEŠENJE
Glava šišača ne izvlači reznu nit.	<ul style="list-style-type: none"> <li>■ Vratilo motora ili glavu šišača trave blokira trava.</li> <li>■ Na kalemu nema dovoljno rezne niti.</li> <li>■ Glava šišača trave je zaprljana.</li> <li>■ Nit se zapetjalo na kalemu.</li> <li>■ Rezna nit je prekratka.</li> </ul>	<ul style="list-style-type: none"> <li>■ Zaustavite šišač trave, izvadite bateriju i očistite vratilo motora i glavu šišača trave.</li> <li>■ Izvadite bateriju i zamijenite reznu nit; slijedite upute u poglavlju "ZAMJENA REZNE NITI" u ovom priručniku.</li> <li>■ Izvadite bateriju i očistite glavu šišača.</li> <li>■ Izvadite bateriju, uklonite reznu nit s glave šišača i ponovno je namotajte; slijedite upute u poglavlju "ZAMJENA REZNE NITI" u ovom priručniku.</li> <li>■ Uklonite bateriju i ručno povucite rezne niti dok izmjenično pritišćete i otpuštate glavu šišača trave.</li> </ul>
Trava se omotava oko glave šišača trave i kućišta motora.	<ul style="list-style-type: none"> <li>■ Rezanje visoke trave u razini tla</li> </ul>	<ul style="list-style-type: none"> <li>■ Visoku travu režite odozgo prema dolje i pritom ne režite više od 20 cm u svakom prolazu kako biste izbjegli omotavanje.</li> </ul>
Na glavi šišača trave postoje pukotine ili se sklop donjeg poklopca otpustio s gornjeg poklopca.	<ul style="list-style-type: none"> <li>■ Glava šišača trave istrošena je.</li> </ul>	<ul style="list-style-type: none"> <li>■ Neposrednu zamjenu glave šišača trave prepustite kvalificiranom servisnom tehničaru.</li> </ul>

## JAMSTVO

### JAMSTVENA POLITIKA PROIZVOĐAČA EGO

Za cjelokupne uvjete jamstvene politike proizvođača EGO posjetite internetsku stranicu [egopowerplus.eu](http://egopowerplus.eu).

## სრულად გაცანით ინსტრუქციას!



გაცანით მომხმარებლის ინსტრუქციას

## უსაფრთხოების წესის სიმბოლოები

**⚠ გაფრთხილება:** ელექტრული ხელსაწყოს გამოყენებისას შესაძლოა უცხო სხეულის



სიგნალი საფრთხის შესახებ



გაიკეთეთ თვალების დამცავი



არ გამოიყენოთ ლითონის საჭრელი დანები



ხელსაწყოსა და სხვა პირებს შორის დისტანცია უნდა იყოს მინიმუმ 15 მ



ძუის დიამეტრი - მთიბავი ნეილონის ძუის დიამეტრი



ხელსაწყო შეესაბამება ევროკავშირის მიერ წამოყენებულ რეგულაციებს.



ელექტრო ხელსაწყოების უტილიზაცია არ უნდა მოხდეს საყოფაცხოვრებო ნარჩენებთან ერთად. წაიღეთ ხელსაწყო ნარჩენების ავტორიზებულ გადამამუშავებელთან.

V ძაბვა

.../min წუთში

kg კილოგრამი



წაკითხეთ და გაიგეთ მომხმარებლის სახელმძღვანელო



გაიკეთეთ ყურების დამცავი



მოერიდეთ გამოტყორცნილ საგნებს



გათიშეთ ბატარეა ტექნიკური მომსახურების წინ



ჭრის სიგანე - ელექტრო სათიბის მაქსიმალური თიბვის სიგანე



ეს პროდუქტი შეესაბამება დიდი ბრიტანეთის მოქმედ კანონმდებლობას.



გარანტირებული ხმის სიმძლავრის დონე. გარემოში ხმაურის გავრცელების დონე ევროკავშირის რეგულაციების შესატყვისია.

$n_p$  დაუტვირთავი ბრუნვის სიჩქარე - ბრუნვის სისწრაფე დატვირთვის გარეშე

≡ მუდმივი დენი

IPX4 წყლის შემხეფებისგან დაცვა

KA

## სპეციფიკაციები

	სათიბი თავაკი	3-კბილანიანი დანა
ძაბვა	56 ვოლტი ~	56 ვოლტი ~
რეკომენდირებული საექსპლუატაციო ტემპერატურა:	0°C-40°C	
რეკომენდირებული დასაწყობების ტემპერატურა:	-20°C-70°C	
ოპტიმალური დამუხტვის ტემპერატურა	5°C-40°C	
დაუტვირთავი სიჩქარე	5000/6000 ბრ/წთ	5000/6000 ბრ/წთ
მთიბავი მუის ტიპი	2.4 მმ	/
საჭრელი დანა	/	ABB1203
თიბვის სიგანე	38 სმ	30 სმ
წონა (აკუმულატორის გარეშე)	4.21 კგ	4.45 კგ
გაზომილი ხმის სიმძლავრის დონე L <sub>WA</sub>	94.6 dB(A) K=1.8 dB(A)	96.5 dB(A) K=1.88 dB(A)
ბგერის წნევის დონე მომხმარებლის ყურზე L <sub>PA</sub>	81.7 dB(A) K=2.5 dB(A)	76.5 dB(A) K=3 dB(A)
გარანტირებული ხმის სიმძლავრის დონე L <sub>WA</sub> (გაზომილი 2000/14/EC რეგულაციის მიხედვით)	96 dB(A)	98 dB(A)
ვიბრაცია a <sub>h</sub>	რეგულირებადი წინა სახელური	3.2 მ/წმ <sup>2</sup> K=1.5 მ/წმ <sup>2</sup>
	უკანა სახელური	2.3 მ/წმ <sup>2</sup> K=1.5 მ/წმ <sup>2</sup>

- მითითებული ვიბრაციის სრული მნიშვნელობა გაზომილია სტანდარტული ტესტირების მეთოდით და შესაძლოა გამოყენებულ იქნას ერთი ხელსაწყო მჭორესთან შედარებისას.
- მითითებული ვიბრაციის სრული მნიშვნელობა ასევე შესაძლოა გამოყენებულ იქნას ზემოქმედების პირველადი შეფასებისას.

**შენიშვნა:** ელექტრო ხელსაწყო ვიბრაციის ემისია გამოყენებისას შესაძლოა განსხვავდებოდეს მითითებული ოდენობისგან; მომხმარებელმა ხელსაწყოთი სარგებლობისას საჭიროა გამოიყენოს ხელთათმანები და ყურის

დამცავი საშუალებები.

## აღწერა

**შეისწავლეთ თქვენი ელექტრო სათიბი (ნახ. A1)**

1. გასამიჯნი რგოლი
2. ტრიგერი
3. უკანა სახელური
4. ჰერის ჭავლის შესავალი
5. ჩამკეტი ღილაკი
6. მაღალი/დაბალი სიჩქარის გადამრთველი
7. მხარზე ჩამოსაკიდი ღვედის სამაგრი
8. რეგულირებადი წინა სახელური
9. მხარზე ჩამოსაკიდი ღვედი
10. მრავალფუნქციური ქანჩის გასაღები
11. ქანჩის გასაღები
12. სათიბის თავაკი
13. სათიბი მუა
14. გამშვები ღილაკი
15. სათიბის დანა
16. დამცავი ეკრანი
17. ამოგდების მექანიზმი
18. ელექტროლი კონტაქტები
19. ჩამკეტი
20. დამცავი რეზინის შუასაღები
21. აკუმულატორის მოხსნის ღილაკი
22. უსაფრთხოების ზარიერის ძელი (მხოლოდ ბუჩქის საკრეჭის თავაკისთვის)
23. უსაფრთხოების ზარიერის ძელი ჩამკეტი (მხოლოდ ბუჩქის საკრეჭის თავაკისთვის)
24. გარეთა შვერილი (მხოლოდ ბუჩქის საკრეჭის თავაკისთვის)
25. ქანჩი (მხოლოდ ბუჩქის საკრეჭის თავაკისთვის)
26. ქანჩი (მხოლოდ ბუჩქის საკრეჭის თავაკისთვის)

## შეფუთვის ჩამონათვალი

ნაწილის დასახელება	რაოდენობა
ელექტრო სათიბი	1
დამცავი ეკრანი	1
სახელურის კომპლექტი	1
ქანჩის გასაღები	1
მრავალფუნქციური ქანჩის გასაღები	1
მხარზე ჩამოსაკიდი ღვედი	1
მომხმარებლის ინსტრუქცია	1

KA

ჩამკვეტი	1
გარეთა შვერილი	1
ქანჩი	1
ხრახნი	2

## ანყობა

**▲ გაფრთხილება:** თუ რომელიმე ნაწილი დაზიანებულია ან დაკარგულია, არ ისარგებლოთ მოწყობილობით, სანამ ყველა ნაწილი არ გამოიცვლება. დაზიანებული ან დაკარგული ნაწილების მქონე მოწყობილობით სარგებლობას შესაძლოა მოჰყვეს სერიოზული ზიანი.

**▲ გაფრთხილება:** არ სცადოთ ხელსაწყოს გადაკეთება ან ისეთი ნაწილების გამოყენება, რომლებიც არაა რეკომენდირებული ამ ელექტრო სათიბისთვის. ნებისმიერი მსგავსი ცვლილება ან მოდიფიკაცია არის მოწყობილობის არასათანადო გამოყენება და შესაძლოა წარმოქმნას სახიფათო მდგომარეობა, რომელმაც შესაძლოა გამოიწვიოს სერიოზული პირადი ზიანი.

**▲ გაფრთხილება:** უცაბედი ჩართვის გამოსარიცხად, რომელმაც შესაძლოა გამოიწვიოს სერიოზული პერსონალური ზიანი, ყოველთვის მოხსენით აკუმულატორი მოწყობილობას, როდესაც ხდება მისი ნაწილების აწყობა.

**▲ გაფრთხილება:** როდესაც მოწყობილობაზე დამონტაჟებულია ბუჩქის საკრეჭის თავაკი, მას უნდა მიემაროს უსაფრთხოების ბარიერის ძელი.

### დამცავი ეკრანის დამონტაჟება

**▲ გაფრთხილება:** ყოველთვის გამოიყენეთ ხელთათმანები, როდესაც ამონტაჟებთ ან ცვლით დამცავ ფარს. ფრთხილად მოეპყარით დანას და დაიცავით ხელი გაჭრისგან.

**▲ გაფრთხილება:** არ გამოიყენოთ ხელსაწყო მჭიდროდ დამაგრებული დამცავი ფარის გარეშე. დამცავი ფარი ყოველთვის უნდა იყოს დამაგრებული მოწყობილობაზე მომხმარებლის დასაცავად!

როდესაც დამცავი დამაგრებულია, არ შეეცადოთ მოხსნათ ან შეასწოროთ დამცავი ფარის პოზიცია, თუ საჭიროა მისი შეცვლა, ეს უნდა შეასრულოს კვალიფიციურმა მომსახურე ტექნიკოსმა!

1. მოუშვით და მოხსენით ორი ხრახნი დამცავ ეკრანს (ნახ. B).
2. გაუსწორეთ დამცავი ეკრანის ნასვრეტები ხრახნების ბუდეებს და მჭიდროდ დაამაგრეთ ეკრანი სახელზე ორი ხრახნის და შუასადების საშუალებით (ნახ. C).

**შენიშვნა:** დაწმუნდით რომ დამცავი ეკრანი დამაგრებულია, როგორც ნაჩვენებია ნახ. B და C-ზე, ნებისმიერი სხვაგვარი დამაგრება არის სახიფათო!

### წინა სახელურის დამაგრება და გასწორება

1. მოუშვით წინა სახელურზე მდებარე ჩამკვეტი ძელი და მოხსენით ძელი და ფრთიანი ქანჩი სახელურს (ნახ. D).

**შენიშვნა:** დამონტაჟეთ უსაფრთხოების ბარიერის ძელის კომპლექტი ჩარჩოსებრ სახელურზე ორი ხრახნით როდესაც ხელსაწყოზე მორგებულია ბუჩქის საკრეჭი თავაკი.

**შენიშვნა:** კომპლექტში ორი ჩამკვეტია, შედარებით მოკლე სათიბი თავაკისთვისაა განკუთვნილი. შედარებით გრძელი ჩამკვეტი ბუჩქის საკრეჭის თავაკზე გამოსაყენებელი. გამოიჩინეთ ყურადღება ძელისთვის სწორი ჩამკვეტის შერჩევას.

D-1	რეგულირებადი წინა სახელური	D-4	უსაფრთხოების ბარიერის ძელი (მხოლოდ ბუჩქის საკრეჭის თავაკისთვის)
D-2	დამჭერი ბლოკი	D-5	ჩამკვეტი
D-3	ფრთიანი ქანჩი		

2. ჩასვით წინა სახელური ტარზე გასამოჭნ რგოლის წინ. არასოდეს მოათავსოთ ის გასამოჭნ რგოლსა და უკანა სახელურს შორის არსებულ სივრცეში (ნახ. E).
3. ჩასვით დამჭერი ბლოკი სახელურის ნასვრეტში (ნახ. F).
4. დაამაგრეთ ჩამკვეტი ძელი და დაუჭირეთ



ფრთიანი ქანჩის საშუალებით. დარწმუნდით რომ წინა სახელური არის მოტრიალებული ზედა მხარეს და დამიზნებელია უკანა სახელურის ზევითა ნაწილისკენ (ნახ. G).

5. გაასწორეთ წინა სახელურის მდებარეობა გასამიჯნ რგოლსა და ეტიკეტს შორის, რათა დარწმუნდეთ რომ მკლავი არის სწორ მდგომარეობაში ხელსაწყოთი სარგებლობისას (ნახ. H).
6. დაამაგრეთ ჩამკეტი ძელის ბერკეტი. (ნახ. I).

**▲ გაფრთხილება:** ხელსაწყოს გამოყენება დაუშვებელია რეგულირებადი წინა სახელურის მჭიდროდ დამაგრების გარეშე.

**მხარზე ჩამოსაკიდი ღვედის დამაგრება**

უსაფრთხო და უკეთესი მუშაობისთვის გადაიკიდეთ ღვედი ერთ-ერთ მხარზე, ზურგის გასწვრივ.

1. დააჭირეთ ხელი ღვედის კაუჭს და ჩამოაცვით მხარზე ჩამოსაკიდი ღვედის სამაგრს (ნახ. J).
2. საკრეჭით სარგებლობამდე დაარეგულირეთ მხრის ღვედის სიგრძე და მოათავსეთ კომფორტულ მუშა პოზიციაში - დაიჭირეთ საკრეჭი ორივე ხელით: ერთი ხელი უკანა სახელურზე, ხოლო მეორე - წინა სახელურზე.

**▲ გაფრთხილება:** როდესაც ხდებთ გაუთვალისწინებელი შემთხვევა, მაშინვე მოიხსენით ღვედი მხრიდან, მოუხედავდ იმისა თუ რომელ მხარზე მდებარეობს იგი.

თქვენ არ უნდა გამოიყენოთ ერთდროულად ორივე, ერთმაგი და ორმაგი მხარზე სამაგრი ღვედი.

ღვედის ტარების დროს არცერთმა სხვა სატარებელმა არ უნდა შეუშალოს ხელი ღვედის გახსნას და მოხსნას.

**ექსპლუატაცია**

**▲ გაფრთხილება:** ყოველთვის მორიგეთ უსაფრთხოების თვალსაფარი ან გვერდითა ეკრანების მქონე უსაფრთხოების სათვალე, სმენის დამცავი საშუალებასთან ერთად. ამ ინსტრუქციის უგულვებელყოფამ შესაძლოა გამოიწვიოს სხვადასხვა სხეულის თვალში

მოხვედრა და სხვა შესაძლო სერიოზული ზიანი.

თქვენ შეგიძლიათ გამოიყენოთ ხელსაწყო ქვემოთ ჩამოთვლილი მიზნებისთვის:

**გაკრეჭა:** გამოიყენება ბალახის და სარეველას მოსაცილებლად კედლის, ღობის, ხის და საზღვრების გასწვრივ.

**მოთიბვა:** გამოიყენება ისეთი ბალახის მოსათიბად, რომელიც რთულადაა მისადგომი ჩვეულებრივი სათიბი მანქანისთვის.

**შენიშვნა:** ხელსაწყოს გამოყენება შესაძლებელია მხოლოდ დანიშნულებისამებრ. სხვა ნებისმიერი სარგებლობა, მაგალითად ბუჩქის გაკრეჭა, ჩათვლება როგორც არადანიშნობრივი გამოყენების შემთხვევა.

**აკუმულატორის ჩამაგრება/მოხსნა**  
გამოიყენეთ მხოლოდ ის აკუმულატორის ბლოკები და დამტენები, რომლებიც მითითებულია სურ. A2-ში

**სრულად დატენით პირველ ჯერზე სარგებლობამდე.**

**ჩამაგრებისთვის**

გაუსწორეთ აკუმულატორის სამაგრები ბუდის ნასვრეტებს და დააწეეთ აკუმულატორს, სანამ არ გაივებთ „წკაპ“ ხმას (ნახ. K).

**მოხსნისთვის**

დააჭირეთ აკუმულატორის გამშვებ დილაკს და ამოიღეთ აკუმულატორი როგორც ნაჩვენებია ნახ. L-ზე.

L-1	აკუმულატორის მოხსნის დილაკი
-----	-----------------------------

**ელექტრო სათიბის ჭერის წესი**

უსაფრთხო და უკეთესი მოხმარებისთვის, გადაიკიდეთ ჩამოსაკიდი ღვედი მხარზე როგორც ნაჩვენებია ნახ. N. დაარეგულირეთ ღვედი კომფორტული სამუშაო პოზიციისთვის. მჭიდროდ დაიჭირეთ ელექტრო სათიბი ორივე ხელით. მოათავსეთ ერთი ხელი უკანა სახელურზე, ხოლო მეორე ხელი - წინა სახელურზე.

**შენიშვნა:** სათიბი თავაკი უნდა იყოს მიწის

**KA**

ზედაპირის პარალელური სათანადო მანძილზე დაშორებით, მომხმარებლის გადახრის გარეშე (ნახ. N).

ღვედის შეხსნის ორი გზა არსებობს: პირდაპირ მოიხსნით იგი მხრებიდან (ნახ. O) ან დააჭირეთ ხელი ღვედის კაუჭს და მოხსენით იგი ხელსაწყოს ტარზე მოთავსებულ სამაგრს (ნახ. P).

**▲ გაფრთხილება:** მხრის ღვედი ასევე წარმოადგენს ხელსაწყოს სწრაფად მოხსნის საშუალებას სახიფათო სიატუაციაში. როდესაც ხდება გაუთვალისწინებელი შემთხვევა, მაშინვე მოიხსენით ღვედი მხრიდან, მიუხედავდ იმისა თუ რომელი მხარზე მდებარეობს იგი.

**ელექტრო სათიბის ჩართვა/გამორთვა (ნახ. M) ჩასართავად**

დააწექით ჩამკეტ ბერკეტს, შემდეგ დააჭირეთ თითი ტრიგერს. ტრიგერზე დაწოლის სიმძლიერე განსაზღვრავს სათიბი ძუის ზრუნვის სიჩქარეს. მეტი დაწოლა ნიშნავს მაღალ სიჩქარეს.

**გამოსართველად**

ხელი გაუშვით ტრიგერს.

**შენიშვნა:** მოტორი მუშაობს მხოლოდ მაშინ, როცა ორივე, ჩამკეტი ღილაკი და ტრიგერი დაჭერილ მდგომარეობაშია.

**სიჩქარის რეგულირების ფუნქცია (ნახ. M)**

ელექტრო სათიბს აქვს ორი სიჩქარის რეჟიმი. პოზიცია „1“ არის დაბალი სიჩქარისთვის და პოზიცია „2“ - მაღალი სიჩქარისთვის.

M-1	მაღალი/დაბალი სიჩქარის გადამრთველი
M-2	ჩამკეტი ღილაკი
M-3	ტრიგერი

**ელექტრო სათიბის გამოყენების წესი**

გაასუფთავეთ გასათიბი არე მუშაობის დაწყებამდე. მოაცილეთ ყველა ობიექტი როგორცაა ქვემოთ, დამტვრეული მინა, ლურსმანი, სადენი ან ბაწარი, რომელიც შესაძლოა ჩაყვას ან დაეხვიოს ხელსაწყოს მთიბავ ნაწილს. მოარიდეთ სამუშაო ადგილს

ბავშვები, სხვა პირები და შინაური ცხოველები. დარწმუნდით რომ ბავშვები, სხვა ადამიანები ან შინაური ცხოველები იმყოფებიან მინიმუმ 15 მ მოშორებით; არსებობს რისკი რომ უცხო სხეულები მაღალი სიჩქარით გვერდზე მდგომი პირებისკენ გაიტყორცნონ. გვერდზე მდგარი პირებისთვის რეკომენდირებულია თვალის დამცავი საშუალებების გამოყენება. თუ თქვენ სხვა პიროვნება მოგიახლოვდათ, დაუყონებლივ გააჩერეთ მოტორი და სათიბი მოწყობილობა.

**ყოველი გამოყენების წინ შეამოწმეთ ნაწილები დაზიანებაზე/ცვლილება**

შეამოწმეთ სათიბის თავაკი, დამცავი ეკრანი და რეგულირებადი წინა სახელური, შეცვალეთ ნაწილები, რომლებიც გაზზარულია, გაღუნულია, აქვს შეცვლილი ფორმა ან დაზიანებულია სხვაგვარად.

დამცავ ეკრანის კიდესთან მდებარე მთიბავის დანა შესაძლოა დაჩლუნგდეს დროთა განმავლობაში რეკომენდირებულია მისი გაღვსვა პერიოდულად ქლიბის საშუალებით ან ახალი დანის დამონტაჟება.

**▲ გაფრთხილება:** ყოველთვის გამოიყენეთ ხელთათმანები, როდესაც ამონტაჟებთ ან ცვლით დამცავ ფარს ან ლესავთ ან ცვლით საჭრელ დანას. გაითვალისწინეთ დამცავ ფარზე მიმგარებული დანის პოზიცია და დაიცავით ხელი გაჭრისგან.

**შეამოწმეთ ტრიმერის თავაკის ბლოკირება**

- დაბლოკვის თავიდან ასაცილებლად, იქონიეთ ტრიმერის თავაკი სუფთა მდგომარეობაში. ამოიღეთ ბალახის ნარჩენები, ფოთლები, ჭუჭყი და სხვა დაგროვილი ნარჩენები ყოველი გამოყენების წინ და შემდეგ.
- თუ მოწყობილობა დაგებლოკათ, გამორთეთ ელექტრო სათიბი, მოხსენით აკუმულატორი, შემდეგ მოაცილეთ ბალახი, რომელიც დახვეულია მოტორის ლილვსა და სათიბის თავაკზე.

**ყოველი გამოყენების შემდეგ გაასუფთავეთ სათიბი.**

**სათიბი ძვის სიგრძის ცვლილება**

სათიბის თავაკი ამღვეს მომხმარებელს

KA

საშუალებას გაზარდოს სათიბის ძუის სიგრძე მოტორის გაუჭრებლად. როდესაც ძუა იცვითება და წყდება, დამატებითი ძუის სიგრძის გამოშვება შესაძლებელია სათიბის თავაკის მიწაზე რბილი დარტყმით ხელსაწყოთი სარგებლობისას (ნახ. Q).

**შენიშვნა:** ძუის გამოშვება მით უფრო გართულდება, რაც ხვიაზე მისი სიგრძე მოკლდება.

**▲ გაფრთხილება:** არ მოხსნათ ან შეცვალოთ ძუის საჭრელი დანის კონსტრუქცია. საჭრელი ძუის დიდი სიგრძე გამოიწვევს მოტორის გადახურებას, რამაც შესაძლოა მოგაყენოთ სერიოზული ზიანი.

### ძუის გამოცვლა

**შენიშვნა:** ყოველთვის გამოიყენეთ რეკომენდირებული ნეილონის სათიბი ძუა, რომლის დიამეტრი არ აღემატება 2.4 მმ-ს. მითითებულისგან განსხვავებული ტიპის ძუის გამოყენებამ შესაძლოა გამოიწვიოს სათიბის გადახურება და დაზიანება.

**▲ გაფრთხილება:** არასოდეს გამოიყენოთ მავთული, სხვა მეტალის ჩანართიანი ზონარი, თოკი და სხვ. ესენი შესაძლოა გაწყდეს და წარმოქმნას სახიფათო გამორტყორცნილი სხეულები.

1. მოხსენით აკუმულატორი
2. მოხსენით დარჩენილი ძუა საჭიროების შემთხვევაში.
3. მოჭერით 4 მ სიგრძის სათიბი ძუა და ჩასვით იგი ხერხელში არსებულ სამაგრ სიდრულში (ნახ. R). შეიყვანეთ და ამოქაჩეთ ძუა მეორე მხრიდან, სანამ კოჭის ორივე მხარეს თანაბარი რაოდენობის ძუა არ გამოჩნდება.
4. დააჭირეთ და დაატრიალეთ ქვედა ხუფი ისრის მიმართულებით, რათა დაახვიოთ ძუა კოჭაზე სანამ დაახლოებით 14 სმ სიგრძის ძუა არ გამოჩნდება ორივე მხარეს (ნახ. S).
5. დააჭირეთ ქვედა ხუფს დაბლა ძუაზე მოქაჩვისას, რათა მანუალურად გამოწიოთ ძუა და შემოაწიოთ სათიბის თავაკის ჯეროვანი აწყობა.

**როდესაც მჭრელი ძუა წყდება და სათიბის თავაკზე დაჭერით ძუა არ გამოდის, მიყევით**

### შემდეგ ინსტრუქციებს:

1. დააჭირეთ კოჭის ფუძეზე არსებულ გამშვებ ღილაკებს და მოხსენით ქვედა ხუფი ამოქაჩვით (ნახ. T და U).
2. მოხსენით ძუა კოჭას.
3. ერთი ხელით დაიჭირეთ ზედა ხუფი, ხოლო მეორეთი - ქვედა ხუფი და გაუსწორეთ ზედა ხუფზე არსებული გამშვები ღილაკები ქვედა ხუფზე არსებულ ნასვრეტებს (ნახ. V); დააჭირეთ ხელისგულით ქვედა ხუფს სანამ ღილაკები არ ჩაჯდება ზედა ხუფში.
4. მიყევით ინსტრუქციებს სექციაში „ძუის გამოცვლა“, რათა ხელახლა დაახვიოთ ძუა.

### 3-კბილანიანი დანა ბუდით

**შენიშვნა:** ფიზიკური ზიანისგან თავის დასაცავად 3-კბილანიანი დანის გამოყენებამდე აუცილებლად ჩაიცივით დამცავი ხელთათმანებები.

1. მოხსენით ქვედა ხუფი, როგორც ნახ. T და U არის ნაჩვენები.
2. ჩასვით სტაბილიზატორი, შემდეგ გამოიყენეთ დარტყმითი ქანჩასხრახნი ქანჩის მოსაშვებად, როგორც ნახ. X1 და X2 არის ნაჩვენები.
3. მოხსენით ყველა ნაწილი შიდა შვერილისა და ქანჩის გარდა (ნახ. X3), დაამონტაჟეთ დანა მოტორის ლილვზე, როგორც ნახ. X4-ზე არის ნაჩვენები.
4. მოუჭირეთ დანის ჭანჭიკები, როგორც ნახ. X5-ზე არის ნაჩვენები.

**▲ გაფრთხილება:** ახლადამოყრილი ბუჩქნარის ან სხვა ხის კონსისტენციის, 2 სმ-მდე დიამეტრის მქონე მცენარეების გაკაფვისას გამოიყენეთ საკრეკი დანის მარცხენა მხარე, რათა თავიდან აირიდოთ დანაზე ზიბვის მიცემის სიტუაცია. არ შეეცადოთ მოჭრათ დიდი დიამეტრის ტოტები, რადგან დანა შესაძლოა გაიხლართოს და გაქაჩოს ხელსაწყო წინ. ამან შესაძლოა გამოიწვიოს დანის, საკრეკის დაზიანება ან დაგაკარგვინოთ კონტროლი ხელსაწყოზე, რამაც შესაძლოა მოგიტანოთ პირადი ზიანი.

**შენიშვნა:** რეგულარულად გააღესეთ დანა (როდესაც იგი საგრძნობლად დაჩაღუნგდება) და დაბალანსირებით იგი

(სრულდება კვალიფიციური სერვისის ტექნიკოსის მიერ).

## ექსპლუატაცია

**▲ გაფრთხილება:** ტექნიკური სერვისისას გამოიყენეთ მხოლოდ იდენტური სათადარიგო ნაწილები. გაუკეთეთ ხელსაწყო რეგულარული შემოწმება და ინსპექტირება. ხელსაწყო უსაფრთხოდ და გამართულად მუშაობისთვის საჭიროა მისი ყველა შეკეთება და ნაწილის შეცვლა შესრულდეს კვალიფიციური სერვისის ტექნიკოსის მიერ.

**▲ გაფრთხილება:** სერიოზული პერსონალური ზიანისგან თავის არიდების მიზნით მოხსენით აკუმულატორი ხელსაწყო ტექნიკური სერვისის, გაწმენდის, ნაწილების შეცვლის ან ნარჩენი ნივთიერების მოცილების დროს.

**▲ ყურადღება:** საპაერობის დახშობა ხელს უშლის ჰაერის შედინებას მოტორში და გამოიწვევს მის გადახურებას და დაზიანებას.

### ხელსაწყო განმნდის წესი

- გაწმინდეთ ხელსაწყო ნოტიო ქსოვილით და რბილი სარეცხი საშუალებით. არასდროს დაუშვათ ხელსაწყოში სითხის შეღწევა; არასდროს მოათავსოთ ხელსაწყო რაიმე ნაწილი სითხეში.
- არ გამოიყენოთ ძლიერი გამწმენდი საშუალებები პლასტმასის ბუდეზე ან სახელურზე. ისინი შესაძლოა დაზიანდეს ისეთი არომატიზატორებით, როგორცაა ნაძვის ან ლიმნის ზეთი, ან ნავთის ტიპის გამხსნელი საშუალებებით. სინესტემ ასევე შეიძლება შექმნას ელექტრული შოკის საფრთხე. რბილი, მშრალი ქსოვილით მოწმინდეთ ხელსაწყო ნებისმიერი ნესტი,
- გამოიყენეთ მცირე ფუნჯი ან პატარა მტვერსასრუტის ჰაერის ჭავლი რათა გაწმინდოთ ხელსაწყო საპაეროები ბუდის უკანა მხარეს.

- ყოველთვის გაათავისუფლეთ მოტორის საპაეროები ნარჩენებისგან.

### გადაცემათა კოლოფის კბილანების შეგებვა

**გადაცემათა კოლოფში არსებული კბილანები საჭიროებენ პერიოდულ შეგებვას სპეციალური საპოხით. შეამოწმეთ გადაცემათა კოლოფის შეგებვის დონე ექსპლუატაციის ყოველ 50 საათიან პერიოდში კოლოფის გვერდითა მხარეს მოთავსებული დამლუქავი ხრახნის მოხსნით.**

**თუ კბილანების გვერდებზე საპოხი მასალა არ სჩანს, მიყვით ქვემოთ მოცემულ ინსტრუქციას და შეავსეთ გადაცემათა კოლოფის სივრცე 3/4-ზე საპოხი მასალით. ბოლომდე არ გადავსოთ გადაცემათა კოლოფი.**

1. დაიჭირეთ ელექტრო სათიბი გვედულად იმგვარად რომ დამლუქავი ხრახნი აღმოჩნდეს ზედა მხარეს (ნახ. W).
2. გამოიყენეთ არსებული მრავალფუნქციური ქანჩის გასაღები, რათა მოუშვათ და მოხსნათ დამლუქავი ხრახნი.
3. გამოიყენეთ ზეთის შპრიცი (არ არის კომპლექტში), რათა შეიყვანოთ საპოხი მასალა ხრახნის ნახვრეტში; არ გადააჭარბოთ მოცულობის 3/4-ზე მეტს.
4. საპოხის შეყვანის შემდეგ დაუჭირეთ დამლუქავი ხრახნი.

### ხელსაწყო შენახვის წესი

- მოხსენით აკუმულატორი ელექტრო სათიბს გამოყენების შემდეგ.
- საფუძვლიანად გაწმინდეთ ხელსაწყო შენახვამდე.
- შეინახეთ ხელსაწყო მშრალ, კარგად განიავებულ ადგილას ჩაკეტილ და მაღალ სათავსოში, ზავშვებისთვის მიუწვდომელ ადგილას. არ შეინახოთ ხელსაწყო სასუქის, ბენზინის და სხვა ქიმიური ნივთიერებების სიახლოვეს.
- გამოიყენეთ დანის ბუდე 3-კბილიან დანაზე ტრანსპორტირების და შენახვის დროს.

KA

### გარემოს დაცვა



არ მოახდინოთ ელექტრული მოწყობილობის, დამტენის და აკუმულატორის / მისი ბატარეების მოთავსება საყოფაცხოვრებო ნაგავში! მიუტანეთ ისინი ავტორიზირებულ ნარჩენების გადამამუშავებელს და

მოახდინეთ ასეთი ნარჩენის განცალკევებულად შეგროვება. ელექტრული ხელსაწყოები უნდა ჩაბარდეს ნარჩენების გადამამუშავებელ ორგანოს გარემოს დაცვის ნორმების გათვალისწინებით.

## გაუმართაობის დიაგნოსტიკა

პრობლემა	მიზეზი	გადაჭრის გზა
სათიბი არ ირთვება.	<ul style="list-style-type: none"> <li>▪ აკუმულატორი არ არის შეერთებული სათიბზე.</li> <li>▪ სათიბსა და აკუმულატორს შორის არ არის ელექტრული კონტაქტი.</li> <li>▪ აკუმულატორი დაცლილია.</li> <li>▪ ჩამკეტი ღილაკი და ტრიგერი ერთდროულად არაა აქტივირებული.</li> </ul>	<ul style="list-style-type: none"> <li>▪ მიუერთეთ აკუმულატორი სათიბს.</li> <li>▪ მოხსენით აკუმულატორი, შეამოწმეთ კონტაქტები და კვლავ მოათავსეთ იგი უკან.</li> <li>▪ დატენეთ აკუმულატორი.</li> <li>▪ დააჭირეთ ჩამკეტი ღილაკს და გააჩერეთ ამ მდგომარეობაში, შემდეგ დააჭირეთ თითო ტრიგერს რათა ჩართოთ სათიბი.</li> </ul>
სათიბი ითიშება მუშაობის პროცესში.	<ul style="list-style-type: none"> <li>▪ დამცავი ეკრანი არაა დამონტაჟებული სათიბზე, რის გამოც სათიბი ძუა არის უზომოდ გრძელი და მოტორი იტვირთება.</li> <li>▪ მძიმე სათიბი ძუა არის გამოყენებული.</li> <li>▪ მოტორის ტარი ან სათიბის თავი ბალახშია გახლართული.</li> <li>▪ მოტორი არის გადატვირთული.</li> <li>▪ აკუმულატორი ან სათიბი ზედმეტად გაცხელებულია.</li> <li>▪ აკუმულატორი მოხსნილია ხელსაწყოდან.</li> <li>▪ აკუმულატორი დაცლილია.</li> </ul>	<ul style="list-style-type: none"> <li>▪ მოხსენით აკუმულატორი და დამონტაჟეთ დამცავი ეკრანი სათიბზე.</li> <li>▪ გამოიყენეთ რეკომენდირებული ნეილონის სათიბი ძუა, არაუმეტეს 2.4 მმ დიამეტრის სისქით.</li> <li>▪ გამორთეთ სათიბი, მოხსენით აკუმულატორი, მოაცილეთ ბალახი მოტორის სახელურს და სათიბის თავაკს.</li> <li>▪ მოაცილეთ სათიბის თავაკი ბალახს, მოტორი გააგრძელებს ჩვეულ მოშაობას როგორც კი დატვირთვა მოიხსნება. თიბვის პროცესში ჩაწიეთ და ამოწიეთ სათიბის თავაკი ბალახიდან და არ მოჭრათ 20 სმ-ზე მეტი სიგრძის ბალახი ერთ ჯერზე.</li> <li>▪ აცალეთ სათიბს ან აკუმულატორს გაგრილება 67°C-ის ქვევით.</li> <li>▪ ხელახლა ჩასვით აკუმულატორი.</li> <li>▪ დატენეთ აკუმულატორი.</li> </ul>

KA

პრობლემა	მიზეზი	გადაჭრის გზა
სათიბის თავაკი არ უშვებს ძუას.	<ul style="list-style-type: none"> <li>■ მოტორის ტარი ან სათიბის თავი ბალახშია გახლართული.</li> <li>■ კოჭაზე არასაკმარისი ოდენობის ძუა არის დარჩენილი.</li> <li>■ სათიბის თავაკი ჭუჭყიანია.</li> <li>■ ძუა გახლართულია კოჭაში.</li> <li>■ ძუა საკმარისზე მოკლეა.</li> </ul>	<ul style="list-style-type: none"> <li>■ გამორთეთ სათიბი, მოხსენით აკუმულატორი, გაწმინდეთ მოტორის ლილვი და სათიბის თავაკი.</li> <li>■ მოხსენით აკუმულატორი და შეცვალეთ სათიბი ძუა; მიჰყევით ინსტრუქციაში მოცემულ სექციას „ძუის გამოცვლა“.</li> <li>■ მოხსენით აკუმულატორი ელექტრო სათიბს და გაწმინდეთ ხელსაწყოს თავი.</li> <li>■ მოხსენით აკუმულატორი, მოხსენით, გაშალეთ და ხელახლა დაახვიეთ სათიბი ძუა ხელსაწყოს თავს; მიჰყევით ინსტრუქციაში მოცემულ სექციას „ძუის გამოცვლა“.</li> <li>■ მოხსენით აკუმულატორი და მოჭაჩეთ ძუის წვერებზე ხელით, თან შიგადაშიგ დააწეეთ და აუშვით ხელი სათიბის თავაკს.</li> </ul>
ბალახი ეხვევა სათიბის თავაკს და მოტორის ბუდეს.	<ul style="list-style-type: none"> <li>■ მაღალი ბალახის ჭრა ძირში.</li> </ul>	<ul style="list-style-type: none"> <li>■ მოჭერით მაღალი ბალახი წვეროდან დაბლა, არ მოჭრათ 20 სმ-ზე მეტი სიგრძის ბალახი ერთ ჯერზე, რათა აარიდოთ თავი ბალახის დახვევას.</li> </ul>
ბზარები სათიბის თავაკზე ან ქვედა ხუფზე, რომელიც ძვრება ზედა ხუფთან ერთად.	<ul style="list-style-type: none"> <li>■ სათიბის თავაკი გაცვეთილია.</li> </ul>	<ul style="list-style-type: none"> <li>■ გამოცვალეთ სათიბი თავაკი დაუყონებლივ, შეაცვლევინეთ კვალიფიციურ სერვისის ტექნიკოსს.</li> </ul>

## გარანტია

### EGO-ს გარანტიის მომსახურების წესი

გთხოვთ ეწვიოთ ვებ-გვერდს [egopowerplus.eu](http://egopowerplus.eu), რათა მიიღოთ EGO-ს საგარანტიო მომსახურების სრული დადგენილებები და პირობები.

KA

## PROČITAJTE SVA UPUTSTVA!



### PROČITAJTE PRIRUČNIK ZA RUKOVAČA

**⚠ UPOZORENJE:** Rezidualni rizik! Osobe sa elektronskim uređajima, poput pejsmejкера, treba da konsultuju svog lekara (svoje lekare) pre upotrebe ovog proizvoda. Rukovanje električnom opremom u neposrednoj blizini srčanog pejsmejкера moglo bi da izazove smetnje ili otkazivanje pejsmejкера.



Sigurnosno upozorenje



Nosite zaštitu za oči



Ne koristite metalne noževe



Udaljenost između mašine i prolaznika mora biti najmanje 15 m.



Prečnik strune - Prečnik najlonske strune za sečenje



Ovaj proizvod je u skladu sa primenjivim EC direktivama.



Otpadne električne proizvode ne bi trebalo odlagati zajedno sa otpadom iz domaćinstva. Odnosite ih u ovlašćeni pogon za reciklažu.

V Napon

.../min U minuti

kg Kilogram

## SIGURNOSNI SIMBOLI

**⚠ UPOZORENJE:** Rukovanje svakim električnim alatom može da dovede do izbacivanja stranih tela ka očima, što može da dovede do ozbiljnog oštećenja očiju. Pre započinjanja rada sa električnim alatom, uvek stavite sigurnosne naočare sa bočnim štitnicima ili po potrebi masku za celo lice. Preporučujemo sigurnosnu masku Wide Vision za upotrebu preko naočara ili standardnih sigurnosnih naočara sa bočnim štitnicima.



Pročitajte i shvatite priručnik za rukovaoca



Nosite zaštitu za uši



Čuvajte se izbačenih predmeta



Odvojite bateriju pre održavanja



Širina sečenja - Maks. širina sečenja trimera sa strunom



Ovaj proizvod je u skladu sa primenjivim zakonima u UK.



Zagarantovani nivo zvučne snage. Emisija buke u okruženju u skladu je sa Direktivom Evropske unije.

$n_0$

Brzina bez opterećenja - Rotaciona brzina bez opterećenja



Jednosmerna struja

IPX4

Zaštita od zapljuskivanja vode



## SPECIFIKACIJE

	Glava trimera	3-zubi nož	
Voltaža	56 V	56 V	
Preporučena radna temperatura:	0 °C-40 °C		
Preporučena temperatura skladištenja:	-20 °C-70 °C		
Optimalna temperatura punjenja	5 °C-40 °C		
Brzina bez opterećenja	5000/6000 min <sup>-1</sup>	5000/6000 min <sup>-1</sup>	
Tip strune za sečenje	2,4 mm	/	
Nož za sečenje	/	ABB1203	
Širina sečenja	38 cm	30cm	
Težina (bez baterije)	4,21 kg	4,45 kg	
Izmereni nivo jačine zvuka L <sub>WA</sub>	94,6 dB(A) K=1,8 dB(A)	96,5 dB(A) K=1,88 dB(A)	
Nivo zvučnog pritiska kod uha rukovaoca L <sub>PA</sub>	81,7 dB(A) K=2,5 dB(A)	76,5 dB(A) K=3 dB(A)	
Garantovan nivo jačine zvuka L <sub>WA</sub> (prema 2000/14/EC)	96 dB(A)	98 dB(A)	
Vibracije a <sub>h</sub>	Prednja pomoćna drška	3,2 m/s <sup>2</sup> K=1,5 m/s <sup>2</sup>	2,8 m/s <sup>2</sup> K=1,5 m/s <sup>2</sup>
	Zadnja drška	2,3 m/s <sup>2</sup> K=1,5 m/s <sup>2</sup>	3,1 m/s <sup>2</sup> K=1,5 m/s <sup>2</sup>

- Deklarisana ukupna vrednost vibracije je izmerena u skladu sa standardnim metodom testiranja i može se koristiti za upoređivanje jednog alata sa drugim;
- Deklarisana ukupna vrednost vibracije može se koristiti u preliminarnoj proceni izlaganja.

**NAPOMENA:** Emisija vibracija tokom stvarne upotrebe električnog alata može da se razlikuje od deklarisanе vrednosti u kojoj se alat koristi. Da bi se rukovalac zaštitio, korisnik bi trebalo da nosi rukavice i štitnike za uši u stvarnim uslovima korišćenja.

## OPIS

### UPOZNAJTE SVOJ TRIMER SA STRUNOM (slika A1)

1. Granični prsten

2. Okidač
3. Zadnja drška
4. Ulaz vazduha
5. Dugme za zaključavanje
6. Prekidač veće/manje brzine
7. Vešalica postolja remena za rame
8. Podesiva prednja pomoćna drška
9. Remen za rame
10. Višenamenski ključ
11. Inbus ključ
12. Glava trimera (izbočena glava)
13. Struna za sečenje
14. Jezičak za otpuštanje
15. Nož za sečenje strunom
16. Štitnik
17. Mehanizam izbacivanja
18. Električni kontakti
19. Reza
20. Zaštitni gumeni jastučić
21. Dugme za otključavanje baterije
22. Sigurnosna prečka (samo za glavu motorne kose)
23. Šipka za zaključavanje sigurnosne prečke (samo za glavu motorne kose)
24. Spoljašnja prirubnica (samo za glavu motorne kose)
25. Navrtanj (samo za glavu motorne kose)
26. Vijci (samo za glavu motorne kose)

## POPIS PAKOVANJA

NAZIV DELA	KOLIČINA
Trimer sa strunom	1
Štitnik	1
Sklop prednje pomoćne drške	1
Inbus ključ	1
Višenamenski ključ	1
Remen za rame	1
Priručnik za rukovaoca	1
Šipka za zaključavanje	1
Spoljašnja prirubnica	1
Navrtanj	1

SR

## SKLAPANJE

**⚠ UPOZORENJE:** Ako su neki delovi oštećeni ili nedostaju, nemojte koristiti ovaj proizvod dok delovi ne budu zamenjeni. Korišćenje ovog proizvoda sa oštećenim ili nedostajućim delovima može dovesti do ozbiljnih telesnih povreda.

**⚠ UPOZORENJE:** Ne pokušavajte da modifikujete ovaj proizvod ili da pravite dodatke koji nisu preporučeni za korišćenje sa ovim trimenom sa strunom. Svaka takva promena ili modifikacija je zloupotreba i može dovesti do opasnih uslova koji mogu da dovedu do ozbiljnih telesnih povreda.

**⚠ UPOZORENJE:** Da biste sprečili nehotično pokretanje koje bi moglo izazvati ozbiljne telesne povrede, uvek uklonite bateriju iz mašine kada sklapate delove.

**⚠ UPOZORENJE:** Kada je mašina opremljena glavom sekača žbunja, sigurnosna prečka mora da bude montirana.

## MONTIRANJE ŠTITNIKA

**⚠ UPOZORENJE:** Uvek nosite rukavice kad montirate ili zamenjujete štitićnik. Pazite na nož na štitićniku i zaštitite šaku od posekotine.

**⚠ UPOZORENJE:** Nikada ne koristite mašinu bez štitićnika čvrsto na mestu. Štitićnik mora uvek biti na mašini da bi zaštitio korisnika! Kad je štitićnik fiksiran, nikad ne pokušavajte da skinete ili podesite štitićnik; ako je potrebna zamena, nju treba da uradi kvalifikovani servisni tehničar!

1. Olabavite i skinite dva vijka sa štitićnika (slika B).
2. Poravnajte montažne rupe štitićnika sa rupama na sklopu pa zatim zaključajte štitićnik na bazu vratila pomoću dva vijka, zajedno sa dve elastične podloške (slika C).

**NAPOMENA:** Proverite da li je štitićnik fiksiran prema slici B i C, svako obrnuto fiksiranje će izazvati veliku opasnost!

## MONTIRANJE I PODEŠAVANJE PREDNJE POMOĆNE DRŠKE

1. Olabavite šipku za zaključavanje na prednjoj pomoćnoj drški i skinite šipku za zaključavanje i leptir navrtanj sa prednje pomoćne drške (slika D).

**NAPOMENA:** Instalirajte sklop sigurnosne prečke na kružnu dršku pomoću dva vijka kada je alat opremljen

glavnom motorne kose.

**NAPOMENA:** postoje dve vrste šipke za zaključavanje, kraća je za upotrebu sa glavom trimera. Duža je za upotrebu sa glavom motorne kose. Vodite računa da izaberete odgovarajuću šipku za zaključavanje kad koristite alat.

D-1	Prednja pomoćna drška	D-4	Sigurnosna prečka (samo za glavu motorne kose)
D-2	Spojnik blok	D-5	Šipka za zaključavanje
D-3	Leptir navrtanj		

2. Gurnite prednju dršku na vratilo ispred granićnog prstena. Nikad je ne stavljajte između granićnog prstena i zadnje drške (slika E).
3. Umetnite spojnik blok u prorez drške (slika F).
4. Montirajte šipku za zaključavanje i unapred ih zategnite leptir navrtanjem. Vodite računa da prednja pomoćna drška bude okrenuta nagore i usmerena ka gornjem delu zadnje drške (slika G).
5. Podesite prednju pomoćnu dršku između granićnog prstena i nalepnice da biste bili sigurni da vam je prednja ruka ispružena kad radite (slika H).
6. Zaključajte polugu šipke za zaključavanje. (slika I).

**⚠ UPOZORENJE:** Alat se ne može koristiti ako prednja pomoćna drška nije čvrsto fiksirana.

## MONTIRANJE REMENA ZA RAME

Za bezbedan i bolji rad, stavite remen na jedno rame i preko leđa.

1. Pritisnite kukicu remena da biste je otvorili i pričvrstite je na vešalicu postolja remena za rame (slika J).
2. Podesite dužinu i mesto remena za rame u udoban radni položaj – držite trimen obema rukama: jednom rukom za zadnju dršku a drugom za prednju dršku.

**⚠ UPOZORENJE:** Kada se desi hitan slučaj, odmah skinite uređaj sa ramena, bez obzira kako je remen namešten.

Ne bi trebalo da koristite remen za jedno rame i remen za oba ramena istovremeno.

Kada nosite naramenicu, ostala odeća ne bi trebalo da ometa njeno oslobađanje i skidanje.

## RUKOVANJE

**⚠ UPOZORENJE:** Uvek nosite sigurnosne naočare

sa bočnim štitnicima, zajedno sa zaštitom sluha. Nepridržavanje toga može dovesti do predmeta izbačenih prema očima i drugih ozbiljnih povreda.

Možete koristiti ovaj proizvod za svrhe navedene ispod:

**Trimovanje:** koristi se za uklanjanje trave i korova pored zidova, ograda, drveća i međa.

**Sečenje:** koristi se za sečenje trave koju je teško dosegnuti koristeći normalnu kosilicu.

**NAPOMENA:** Alat treba koristiti samo za propisanu svrhu. Svaka druga upotreba, na primer trimovanje ivica, smatra se slučajem zloupotrebe.

### SPAJANJE/ODVAJANJE BATERIJE

Koristite samo sa baterijama i punjačima navedenim na slici A2.

### Potpuno napunite pre prve upotrebe

#### Za spajanje

Poravnajte rebra baterije sa prorezima za montiranje i pritisnite bateriju nadole dok ne čujete „klik“ (slika K).

#### Za odvajanje

Pritisnite dugme za otključavanje baterije i izvucite bateriju kako je prikazano na slici L.

L-1	Dugme za otključavanje baterije
-----	---------------------------------

### DRŽANJE TRIMERA SA STRUNOM

Za bezbedan i bolji rad, stavite remen za rame preko ramena kao na slici N. Podesite remen za rame u udoban radni položaj. Držite trimmer sa strunom sa obe ruke. Jedna ruka treba da bude na zadnjoj drški a druga na prednjoj pomoćnoj drški.

**NAPOMENA:** Glava trimera je paralelna sa tlom i na odgovarajućoj razdaljini sečenja bez saginjanja rukovaoca (slika N).

Postoje dva načina za otkopčavanje remena. Skinite ga sa ramena direktno (slika O) ili pritisnite kukicu remena i odvojite je od vešalice postolja remena za rame pričvršćene na vratilo (slika P).

**⚠ UPOZORENJE:** Remen za rame je takođe i mehanizam za brzo oslobađanje u opasnim situacijama. Kada se desi hitan slučaj, odmah skinite uređaj sa ramena, bez obzira kako je remen namešten.

### POKRETANJE/ZAUSTAVLJANJE TRIMERA SA STRUNOM (slika M)

#### Za pokretanje

Pritisnite nadole polugu za zaključavanje a zatim pritisnite

okidač. Različiti pritisak na okidač daje varijabilnu brzinu rotiranja strune za sečenje. Više pritiska, veća brzina.

#### Za zaustavljanje

Pustite okidač.

**NAPOMENA:** Motor radi samo kada su i dugme za otključavanje i okidač pritisnuti.

#### Funkcija podešavanja brzine (slika M)

Trimer sa strunom ima dve brzine. Položaj „1“ je za manju brzinu a položaj „2“ je za veću brzinu.

M-1	Prekidač veće/manje brzine
M-2	Dugme za zaključavanje
M-3	Okidač

### KORIŠĆENJE TRIMERA SA STRUNOM

Očistite područje na kojem ćete seći pre svake upotrebe. Uklonite sve predmete poput kamenja, razbijenog stakla, eksera, žica ili strune koji bi mogli biti izbačeni ili zakačeni dodatkom za sečenje. Uklonite decu, prolaznike i kućne ljubimce iz područja gde ćete raditi. U najmanju ruku, držite svu decu, prolaznike i ljubimce na udaljenosti od najmanje 15 m; i dalje može postojati rizik po posmatrača od izbačenih predmeta. Posmatrača bi trebalo podstaći da nose zaštitne naočare. Ako vam neko pride, odmah zaustavite motor i dodatak za sečenje.

#### Pre svake upotrebe proverite da li ima oštećenih/pohabanih delova.

Proverite izbočenu glavu, štitnik i prednju pomoćnu dršku i zamenite delove koji su naprsili, iskrivljeni, savijeni ili na bilo koji način oštećeni.

Nož za sečenje strunom na ivici štitnika može vremenom da se istupi. Preporučuje se periodično oštrenje turpijom ili zamena novim nožem.

**⚠ UPOZORENJE:** Uvek nosite rukavice kad montirate ili zamenjujete štitnik ili kad oštrite ili zamenjujete nož za sečenje strune. Imajte u vidu lokaciju noža na štitniku i zaštitite šake od povreda.

#### Proverite blokiranje glave trimera

- Da biste sprečili blokadu, održavajte glavu trimera čistom. Uklonite pokošenu travu, lišće, zemlju i svu ostalu nagomilanu prljavštinu pre i posle svake upotrebe.
- Kada dođe do blokade, zaustavite trimmer sa strunom i izvadite bateriju, a zatim uklonite travu koja se možda omotala oko vratila motora ili glave trimera.

**Nakon svake upotrebe, očistite trimmer.**

## PODEŠAVANJE DUŽINE STRUNE ZA SEČENJE

Glava trimera omogućava rukovaocu da otpusti još strune za sečenje bez zaustavljanja motora. Kako struna postaje iskrzana ili pohabana, još strune se može otpustiti laganim tapkanjem glave trimera o tlo tokom rukovanja trimerom (slika Q).

**NAPOMENA:** Otpuštanje strune postaće teže kako struna za sečenje postaje kraća.

**⚠ UPOZORENJE:** Ne uklanjajte niti prepravljajte sklop noža za sečenje strunom. Prekomerna dužina strune će izazvati pregrevanje motora i može da dovede do ozbiljnih telesnih povreda.

## ZAMENA STRUNE

**NAPOMENA:** Uvek koristite preporučenu najlonsku strunu za sečenje, prečnika koji ne prelazi 2,4 mm. Korišćenje neke druge strune osim one koja je navedena može da izazove pregrevanje ili oštećenje trimera.

**⚠ UPOZORENJE:** Nikad ne koristite strunu ojačanu metalom, žicu ili kanap i sl. Oni se mogu otknuti i postati opasni projektili.

1. Izvadite bateriju.
2. Uklonite preostalu strunu za sečenje, ako je neophodno.
3. Odsecite 4 m dužine strune za sečenje; uđinite strunu u rupicu za montiranje unutar rupe (slika R). Gurajte i vucite strunu sa druge strane dok se jednake dužine strune ne pojave sa obe strane kalema.
4. Pritisnite, dok rotirate sklop donjeg poklopca u smeru strelice, da biste namotali strunu na kalem dok približno 14 cm strune ne viri sa svake strane (slika S).
5. Pritisnite sklop donjeg poklopca nadole dok vučete strune da ručno izvučete strunu i proverite pravilno sklapanje glave trimera.

Kad struna za sečenje puca dok izlazi iz izlaza strune ili se struna za sečenje ne oslobađa kad se glava trimera tapka, pratite korake ispod:

1. Pritisnite jezičke za otključavanje na gornjem poklopcu i skinite sklop donjeg poklopca tako što ćete ga ravno izvući napolje (slika T i U).
2. Uklonite strunu za sečenje iz kalema.
3. Dok jednom rukom držite sklop donjeg poklopca, drugom rukom uhvatite sklop donjeg poklopca i poravnajte jezičke na gornjem poklopcu sa rupicama na sklopu donjeg poklopca (slika V); dlanom pritisnite

sklop donjeg poklopca dok se jezički ne zaključaju sa gornjim poklopcem.

4. Pratite uputstva u odeljku „ZAMENA STRUNE“ da biste ponovo stavili strunu za sečenje.

## ZAMENA 3-ZUBOG NOŽA

**NAPOMENA:** Da biste se zaštitili od povreda, morate nositi rukavice dok radite bilo šta sa 3-zubim nožem.

1. Skinite sklop donjeg poklopca kao na slici T i U
2. Umetnite stabilizator a zatim pomoću udarnog cevastog ključa olabavite navrtanj kao na slici X1 i X2.
3. Uklonite sve delove osim unutrašnje prirubnice i navrtnja (slika X3); montirajte nož na vratilo motora kao na slici X4.
4. Zategnite nož kao na slici X5.

**⚠ UPOZORENJE:** Kad sečete mlade zasade drveća ili drugi drvenasti materijal do 2 cm u prečniku, koristite levu stranu noža da biste izbegli situacije odbijanja noža. Ne pokušavajte da sečete drvenasti materijal većeg prečnika jer se nož može zakačiti ili trznuti motornu kosu unapred. To može izazvati oštećenja noža ili motorne kose ili gubitak kontrole nad motornom kosom, dovodeći do telesne povrede.

**NAPOMENA:** Redovno oštrite nož (kad je primetno istupljen) i izbalansirajte ga ako je neophodno (kod kvalifikovanog servisnog tehničara).

## ODRŽAVANJE

**⚠ UPOZORENJE:** Tokom servisiranja, koristite samo identične rezervne delove. Redovno pregledajte i održavajte mašinu. Da bi se osigurala sigurnost i pouzdanost, sve popravke treba da radi kvalifikovani servisni tehničar.

**⚠ UPOZORENJE:** Da biste sprečili ozbiljne telesne povrede, izvadite bateriju iz alata pre servisiranja, čišćenja, menjanja dodatka ili skidanja materijala sa jedinice.

**⚠ OPREZ:** Začepljenje otvora će sprečiti protok vazduha u kućište motora i doveste do pregrevanja ili oštećenja motora.

## ČIŠĆENJE JEDINICE

- Očistite jedinicu vlažnom krpom i blagim deterdžentom. Nikad ne dozvolite da neka tečnost uđe u alat; nikad ne potapajte nijedan deo alata u tečnost.
- Ne koristite jake deterdžente na plastičnom kućištu i drški. Mogu ih oštetiti određena aromatična ulja, poput bora i limuna, i rastvarači poput kerozina. Vлага može

da izazove i opasnost od strunog udara. Obrišite svu vlagu mekom suvom krpom.

- Pomoću male četke ili ispuštanja vazduha kroz četku malog usisivača očistite otvore za vazduh na zadnjoj strani kućišta.
- Uvek održavajte otvore za vazduh u kućištu motora bez prijavštine.

### PODMAZIVANJE PRENOSNIH ZUPČANIKA

Prenosni zupčanci u menjaču brzina treba periodično da se podmazuju mazivom za zupčanike. Proveravajte nivo maziva u menjaču brzina na svakih oko 50 sati rada tako što ćete ukloniti zaptivni vijak na bočnoj strani kućišta.

Ako se mazivo ne vidi na bočnim stranama zupčanika, pratite korake ispod da biste sipali mazivo za zupčanike do 3/4 kapaciteta. Nemojte potpuno napuniti prenosne zupčanike.

1. Držite trimer sa strunom na bočnoj strani tako da zaptivni vijak bude okrenut nagore (slika W).
2. Pomoću priloženog višenamenskog ključa olabavite zaptivni vijak i uklonite ga.
3. Pomoću šprica za mazivo (nije priložen) ubrizgajte malo maziva u rupicu vijka; nemojte prekoračiti 3/4 kapaciteta.
4. Zategnite zaptivni vijak posle ubrizgavanja.

### SKLADIŠTENJE JEDINICE

- Izvadite bateriju iz trimera sa strunom kad nije u upotrebi.
- Temeljno očistite alat pre no što ga uskladištite.
- Skladištite jedinicu na suvom, dobro provetrenom mestu, zaključanu ili na visini, van domašaja dece. Ne skladištite jedinicu na ili pored đubriva, benzina ili drugih hemikalija.
- Koristite navlaku sečiva za oštricu sa 3 zuba tokom transporta i skladištenja.

### Zaštita životne sredine



Ne odlažite električnu opremu, potrošene baterije i punjače u kućni otpad! Odnosite ovaj proizvod u ovlašćeni pogon za reciklažu ili ga odvojite od ostalog smeća radi zasebnog prikupljanja. Električni alati moraju se odneti u ekološki prihvatljiv pogon za reciklažu.

## REŠAVANJE PROBLEMA

PROBLEM	UZROK	REŠENJE
Trimer sa strunom neće da se uključi.	<ul style="list-style-type: none"> <li>■ Baterija nije spojena na trimer.</li> <li>■ Nema električnog kontakta između trimera i baterije.</li> <li>■ Baterija je prazna.</li> <li>■ Dugme za zaključavanje i okidač nisu pritisnuti istovremeno.</li> </ul>	<ul style="list-style-type: none"> <li>■ Spojite bateriju na trimer.</li> <li>■ Izvadite bateriju, proverite kontakte i ponovo instalirajte bateriju.</li> <li>■ Napunite bateriju.</li> <li>■ Pritisnite nadole dugme za zaključavanje i držite ga, zatim pritisnite okidač da biste uključili trimer sa strunom.</li> </ul>
Trimer sa strunom se isključuje tokom sečenja.	<ul style="list-style-type: none"> <li>■ Štitnik nije montiran na trimer, dovodeći do predugačke strune za sečenje i preopterećenja motora.</li> <li>■ Koristi se debela struna za sečenje.</li> <li>■ Vratilo motora ili glava trimera su se upetljali u travu.</li> <li>■ Motor je preopterećen.</li> <li>■ Baterija ili trimer sa strunom su prevrući.</li> <li>■ Baterija se odvojila od alata.</li> <li>■ Baterija je prazna.</li> </ul>	<ul style="list-style-type: none"> <li>■ Izvadite bateriju i montirajte štitnik na trimer.</li> <li>■ Koristite preporučenu najlonsku strunu za sečenje, prečnika ne većeg od 2,4 mm.</li> <li>■ Zaustavite trimer, izvadite bateriju i uklonite travu sa vratila motora i glave trimera.</li> <li>■ Izvadite glavu trimera iz trave. Motor će se ponovo pokrenuti čim opterećenje bude uklonjeno. Kad sečete, pomerajte glavu trimera unutra i napolje trave koju treba iseći i ne uklanjajte više od 20 cm dužine u jednom sečenju.</li> <li>■ Ostavite bateriju ili trimer da se hlade dok temperatura ne padne ispod 67°C.</li> <li>■ Ponovo instalirajte bateriju.</li> <li>■ Napunite bateriju.</li> </ul>
Glava trimera neće da uvlači strunu.	<ul style="list-style-type: none"> <li>■ Vratilo motora ili glava trimera su se upetljali u travu.</li> <li>■ Nema dovoljno strune na kalemu.</li> <li>■ Glava trimera je prljava.</li> <li>■ Struna se zapetljala na kalem.</li> <li>■ Struna je prekratka.</li> </ul>	<ul style="list-style-type: none"> <li>■ Zaustavite trimer, izvadite bateriju i očistite vratilo motora i glavu trimera.</li> <li>■ Izvadite bateriju i zamenite strunu za sečenje; pratite odeljak „ZAMENA STRUNE“ u ovom priručniku.</li> <li>■ Izvadite bateriju i očistite glavu trimera.</li> <li>■ Izvadite bateriju, izvadite strunu iz glave trimera i ponovo je namotajte; pratite odeljak „PONOVO UDENITE STRUNU ZA SEČENJE“ u ovom priručniku.</li> <li>■ Izvadite bateriju i ručno vucite strune dok naizmenično pritiskate nadole i puštate glavu trimera.</li> </ul>

PROBLEM	UZROK	REŠENJE
Trava se omotala oko glave trimera i kućišta motora.	<ul style="list-style-type: none"><li>Sečenje visoke trave na nivou tla.</li></ul>	<ul style="list-style-type: none"><li>Secite visoku travu odozgo nadole, uklanjajući ne više od 20 cm u svakom prolasku da biste sprečili omotavanje.</li></ul>
Pukotine na glavi trimera ili sklop donjeg poklopca koji se olabavio sa gornjeg poklopca.	<ul style="list-style-type: none"><li>Glava trimera je pohabana.</li></ul>	<ul style="list-style-type: none"><li>Odmah zamenite glavu trimera kod kvalifikovanog servisnog tehničara.</li></ul>

## GARANCIJA

### EGO POLITIKA GARANCIJE

Posetite veb-lokaciju [egopowerplus.eu](http://egopowerplus.eu) za potpune uslove i odredbe EGO politike garancije.

**PROČITAJTE UPUTSTVO U CIJELOSTI!****PROČITAJTE KORISNIČKI PRIRUČNIK.**

Simbol upozorenja



Nosite zaštitu za oči



Nemojte upotrebljavati metalne noževe



Razmak između mašine i drugih prisutnih osoba treba biti najmanje 15 m.



Prečnik rezne niti - prečnik najlonske rezne niti



Ovaj proizvod je u skladu s primjenjivim Direktivama EU.



Otpadni električni proizvodi ne smiju se odlagati s otpadom iz domaćinstva. Odnosite ih u ovlaštenu centar za reciklažu.

V Napon

.../min U minuti

kg Kilogram

**SIGURNOSNI SIMBOLI****UPOZORENJE!** Rukovanje električnim alatima može rezultirati odbacivanjem stranih predmeta u oči, što opet može izazvati teška oštećenja očiju. Prije početka rukovanja električnim alatom, uvijek nosite zatvorene zaštitne naočale ili zaštitne naočale s bočnim štitnicima, a prema potrebi i štitnik za cijelo lice. Preporučujemo nošenje sigurnosne maske proizvođača Wide Vision preko naočala, ili nošenje standardnih zaštitnih naočala s bočnim štitnicima.

S razumijevanjem pročitajte korisnički priručnik.



Nosite zaštitu za sluh



Čuvajte se odbačenih predmeta.



Odspojite bateriju prije održavanja.



Širina rezanja - maks. širina rezanja trimera s reznom niti



Ovaj proizvod je u skladu s važećim zakonodavstvom Ujedinjenog Kraljevstva.



Zagarantovani nivo zvučne snage. Emisija buke u okruženju u skladu je s Direktivom Evropske unije.

 $n_0$  Brzina vrtnje bez opterećenja - Brzina vrtnje, bez opterećenja

≡ Istosmjerna struja

IPX4 Zaštita od prskajuće vode



## TEHNIČKI PODAC

	Glava trimera	Trokraki nož	
Napon	56 V	56 V	
Preporučena radna temperatura:	0°C-40°C		
Preporučena temperatura skladištenja:	-20°C-70°C		
Optimalna temperatura punjenja	5°C-40°C		
Brzina vrtnje bez opterećenja	5000/6000 min <sup>-1</sup>	5000/6000 min <sup>-1</sup>	
Vrsta rezne niti	2,4 mm	/	
Rezni nož	/	ABB1203	
Širina rezanja	38 cm	30 cm	
Masa (bez kompleta baterija)	4,21 kg	4,45 kg	
Izmjereni nivo zvučne snage L <sub>WA</sub>	94,6 dB(A) K=1,8 dB(A)	96,5 dB(A) K=1,88 dB(A)	
Nivo zvučnog pritiska kod uha rukovaoca L <sub>PA</sub>	81,7 dB(A) K=2,5 dB(A)	76,5 dB(A) K=3 dB(A)	
Zagarantovani nivo zvučne snage L <sub>WA</sub> (u skladu s Direktivom 2000/14/EZ)	96 dB(A)	98 dB(A)	
Vibracije a <sub>h</sub>	Prednji pomoćni rukohvat	3,2 m/s <sup>2</sup> K=1,5 m/s <sup>2</sup>	2,8 m/s <sup>2</sup> K=1,5 m/s <sup>2</sup>
	Stražnji rukohvat	2,3 m/s <sup>2</sup> K=1,5 m/s <sup>2</sup>	3,1 m/s <sup>2</sup> K=1,5 m/s <sup>2</sup>

- Deklarisane ukupne vrijednosti vibracija izmjerene su u skladu sa standardnom metodom ispitivanja i mogu se primjenjivati za poređenje jednog alata s drugim.
- Deklarisane ukupne vrijednosti vibracija mogu se primjenjivati i u preliminarnoj procjeni izloženosti.

**NAPOMENA!** Emisija vibracija tokom aktuelne upotrebe električnog alata može se razlikovati od deklarisanе vrijednosti u kojoj se alat upotrebljavao; Korisnik radi zaštite treba nositi rukavice i štitičke za uši u aktuelnim uslovima upotrebe.

## OPIS

UPOZNAJTE SVOJ TRIMER S REZOM NITI (sl. A1)

1. Granični prsten
2. Okidač
3. Stražnji rukohvat
4. Ulazni otvor za zrak
5. Dugme za deblokadu
6. Prekidač za odabir visoke/niske brzine
7. Kukica za postavljanje ramene trake
8. Podesivi prednji pomoćni rukohvat
9. Ramena traka
10. Višefunkcijski ključ
11. Inbus ključ
12. Glava trimera (reзна glava)
13. Rezna nit
14. Jezičak za otpuštanje
15. Nož za rezanje rezne niti
16. Štitnik
17. Mehanizam za izbacivanje
18. Električni kontakti
19. Bravica
20. Zaštitna gumena podloga
21. Dugme za oslobađanje baterije
22. Sigurnosna šipka (samo za glavu čistača šikare)
23. Blokirni klin za sigurnosnu šipku (samo za glavu čistača šikare)
24. Vanjska priрубnica (samo za glavu čistača šikare)
25. Matica (samo za glavu čistača šikare)
26. Vijci (samo za glavu čistača šikare)

## LISTA PAKOVANJA

NAZIV DIJELA	KOLIČINA
Trimer s reznom niti	1
Štitnik	1
Sklop prednjeg pomoćnog rukohvata	1
Inbus ključ	1
Višefunkcijski ključ	1
Ramena traka	1
Korisnički priručnik	1
Blokirni klin	1
Vanjska priрубnica	1
Matica	1

**BS**

## SASTAVLJANJE

**⚠ UPOZORENJE!** Ako je bilo koji dio oštećen ili ako nedostaje, nemojte upotrebljavati ovaj proizvod dok ne zamijenite dijelove. Upotreba ovog proizvoda oštećenih dijelova ili dijelova koji nedostaju može rezultirati teškim tjelesnim povredama.

**⚠ UPOZORENJE!** Nemojte pokušavati da modifikujete ovaj proizvod ili da pravite dodatnu opremu koja nije preporučena za upotrebu s ovim trimenom s reznom niti. Sve takve izmjene ili modifikacije predstavljaju nepropisnu upotrebu i mogu rezultirati opasnim stanjima koja mogu dovesti do mogućih teških tjelesnih povreda.

**⚠ UPOZORENJE!** Radi sprečavanja iznenadnog pokretanja koje može uzrokovati teške tjelesne povrede, uvijek izvadite komplet baterija iz mašine kada sastavljate dijelove.

**⚠ UPOZORENJE!** Kada je mašina opremljena glavom čistača šikare, potrebno je postaviti sigurnosnu šipku.

### POSTAVLJANJE ŠTITNIKA

**⚠ UPOZORENJE!** Pri postavljanju štitnika ili zamjeni štitnika uvijek nosite rukavice. Pazite na nož na štitniku i zaštitite ruke od posjekotina.

**⚠ UPOZORENJE!** Mašinu nemojte nikada upotrebljavati bez čvrsto postavljenog štitnika. Štitnik uvijek mora biti na mašini radi zaštite korisnika! Kada je štitnik pričvršćen, nemojte nikada pokušavati da ga uklanjate ili podešavate. Ako je potrebna zamjena, treba je obaviti kvalifikovani servisni tehničar!

1. Otpustite i uklonite dva vijaka sa štitnika (sl. B).
2. Poravnajte montažne provrte na štitniku s montažnim provrtima i štitnik zatim pričvrstite na kućište drške s dva vijaka i dvije opružne podloške (sl. C).

**NAPOMENA!** Uvjerite se da je štitnik pričvršćen u skladu sa sl. B i C. Svako obrnuto pričvršćivanje izazvat će veliku opasnost!

### POSTAVLJANJE I PODEŠAVANJE PREDNJE POMOĆNOG RUKOHVATA

1. Otpustite blokirni klin u prednjem pomoćnom rukohvatu i izvadite ga zajedno s krilnom maticom iz prednjeg pomoćnog rukohvata (sl. D).

**NAPOMENA!** Kada je alat opremljen glavom čistača

šikare postavite sklop sigurnosne šipke na rukohvat s omčom pomoću dva vijaka.

**NAPOMENA!** Postoje dvije vrste blokirnog klina, a kraći je za upotrebu s glavom trimera. Duži je za upotrebu s glavom čistača šikare. Kada upotrebljavate alat, vodite računa da odaberete ispravan blokirni klin.

D-1	Prednji pomoćni rukohvat	D-4	Sigurnosna šipka (samo za glavu čistača šikare)
D-2	Stezni blok	D-5	Blokirni klin
D-3	Krilna matica		

2. Gurnite prednji rukohvat na dršku ispred graničnog prstena. Nemojte ga nikada stavljati između graničnog prstena i područja stražnjeg rukohvata (sl. E).
3. U utor rukohvata umetnite stezni blok (sl. F).
4. Postavite blokirni klin i pritegnite ga krilnom maticom. Uvjerite se da je prednji pomoćni rukohvat okrenut prema gore i da je usmjeren prema gornjem dijelu stražnjeg rukohvata (sl. G).
5. Podesite prednji pomoćni rukohvat između graničnog prstena i naljepnice kako biste osigurali da vam prednja ruka bude ispružena pri upotrebi (sl. H).
6. Zabravite ručicu blokirnog klina. (sl. I).

**⚠ UPOZORENJE!** Alat se ne smije upotrebljavati ako prednji pomoćni rukohvat nije dobro pričvršćen.

### POSTAVLJANJE RAMENE TRAKE

Za siguran i bolji rad stavite traku preko jednog ramena i preko leđa.

1. Pritisnite kukicu za postavljanje ramene trake da je otvorite i pričvrstite je na držač za ramenu traku (sl. J).
2. Podesite dužinu i položaj ramene trake u ugodan položaj za rad – trimen držite objema rukama: jednu ruku držite na stražnjem rukohvatu, a drugu na prednjem rukohvatu.

**⚠ UPOZORENJE!** U slučaju nužde ramenu traku odmah skinite s ramena, bez obzira na način na koji je stavljena.

Jednostavna i dvostruka ramena traka ne smiju se istovremeno upotrebljavati.

Kada nosite ramenu traku, nijedan drugi komad odjeće ne smije ometati otpuštanje i uklanjanje ramene trake.

## RAD

**⚠ UPOZORENJE!** Uvijek nosite zatvorene zaštitne naočale ili zaštitne naočale s bočnim štitnicima, zajedno sa zaštitom za sluh. Nepostupanje u skladu s tim može rezultirati odbacivanjem predmeta u oči i drugim mogućim teškim povredama.

Ovaj proizvod možete upotrebljavati za svrhe navedene u nastavku:

**Šišanje:** upotrebljava se za uklanjanje trave i korova uz zidove, ograde, drveće i granične elemente.

**Rezanje:** upotrebljava se za rezanje trave koju je teško dosegnuti normalnom kosilicom.

**NAPOMENA!** Alat se smije upotrebljavati samo za prethodno opisanu namjenu. Svaka druga upotreba, na primjer rubno šišanje, smatra se nepropisnom upotrebom.

### POSTAVLJANJE/SKIDANJE KOMPLETA BATERIJA

Upotrebljavajte samo s kompletima baterija i punjačima koji su navedeni na sl. A2.

**Komplet baterija napunite prije prve upotrebe.**

#### Postavljanje

Poravnajte kontakte baterije s montažnim utorima i pritisnite komplet baterija prema dolje dok ne začujete zvuk "klikanja" (sl. K).

#### Skidanje

Pritisnite dugme za otpuštanje baterije i izvucite komplet baterija kako je prikazano na sl. L.

L-1	Dugme za oslobađanje baterije
-----	-------------------------------

### DRŽANJE TRIMERA S REZKOM NITI

Radi sigurnog i boljeg rada stavite ramenu traku preko ramena kako je prikazano na sl. N. Podesite ramenu traku u položaj ugodan za rad. Trimer s reznom niti držite objema rukama: jednu ruku držite na stražnjem rukohvatu, a drugu ruku na prednjem pomoćnom rukohvatu.

**NAPOMENA!** Glava trimera je u paralelnom položaju u odnosu na tlo na propisnoj udaljenosti za rezanje bez naginjanja rukovaoca prema naprijed (sl. N).

Postoje dva načina za otpuštanje trake. Direktno je skinite s ramena (sl. O) ili pritisnite kukicu trake i odvojite je od držača ramene trake pričvršćenog na dršci (sl. P).

**⚠ UPOZORENJE!** Ramena traka je i mehanizam za brzo otpuštanje u opasnim situacijama. U slučaju nužde ramenu traku odmah skinite s ramena, bez obzira na način na koji je stavljena.

### POKRETANJE/ZAUSTAVLJANJE TRIMERA S

### REZKOM NITI (sl. M)

#### Pokretanje

Pritisnite ručicu za blokadu, a zatim okidač. Različiti pritisak na okidač rezultira različitim brzinama rotacije rezne niti. Više pritiska, viša brzina.

#### Zaustavljanje

Otpustite okidač.

**NAPOMENA!** Motor radi samo kada se pritisnu dugme za blokadu i okidač.

#### Funkcija podešavanja brzine (sl. M)

Trimer s reznom niti ima dvije brzine. Položaj "1" je za nisku brzinu, a položaj "2" za visoku brzinu.

M-1	Prekidač za odabir visoke/niske brzine
M-2	Dugme za deblokadu
M-3	Okidač

### UPOTREBA TRIMERA S REZKOM NITI

Očistite radno područje prije svake upotrebe. Uklonite sve predmete poput kamenja, razbijenog stakla, eksera, žica ili niti koje trimer može odbaciti ili koji se mogu zaplesti u rezni priključak. Iz područja udaljite djecu, druge prisutne osobe i kućne ljubimce. Držite djecu, posmatrača i kućne ljubimce udaljene najmanje 15 m; za posmatrača čak i tada postoji opasnost od odbačenih predmeta. Druge prisutne osobe potrebno je zamoliti da nose zaštitu za oči. Ako vam neko prilazi, odmah zaustavite motor i rezni priključak.

#### Prije svake upotrebe provjerite ima li oštećenih/istrošenih dijelova.

Provjerite reznu glavu, štitnik i prednji pomoćni rukohvat i zamijenite dijelove koji su napukli, deformisani, savijeni ili oštećeni na bilo koji način.

Nož za rezanje rezne niti na rubu štitnika vremenom može postati tup. Preporučujemo povremeno oštrenje noža turpijom ili zamjenu noža.

**⚠ UPOZORENJE!** Pri postavljanju ili zamjeni štitnika ili oštrenju ili zamjeni noža za rezanje rezne niti uvijek nosite rukavice. Zapamtite mjesto noža na štitniku i zaštitite ruke od povreda.

#### Provjera blokade glave trimera

- Kako biste izbjegli blokadu, glavu trimera održavajte čistom. Prije i nakon svake upotrebe uklonite pokošenu travu, lišće, prljavštinu i druge nakupljene naslage.
- U slučaju blokade zaustavite trimer s reznom niti, izvadite bateriju, a zatim uklonite travu koja se možda omotala oko vratila motora ili glave trimera.

Očistite trimmer nakon svake upotrebe.

## PODEŠAVANJE DUŽINE REZNE NITI

Glava trimera rukovaocu omogućuje otpuštanje više rezne niti bez zaustavljanja motora. Ako se rezna nit pohaba ili istroši, laganim dodirivanjem glave trimera o tlo tokom rukovanja trimerom moguće je otpustiti više niti (sl. Q).

**NAPOMENA!** Otpuštanje niti teže je kako se rezna nit skraćuje.

**⚠ UPOZORENJE!** Nemojte uklanjati sklop noža za rezanje rezne niti ili ne obavljajte preinake na njemu. Prevelika dužina niti uzrokovat će pregrijavanje motora što može rezultirati teškim tjelesnim povredama.

## ZAMJENA REZNE NITI

**NAPOMENA!** Uvijek upotrebljavajte preporučenu najlonsku reznu nit prečnika ne većeg od 2,4 mm. Upotreba rezne niti drukčije od navedene može uzrokovati pregrijavanje ili oštećenje trimera.

**⚠ UPOZORENJE!** Nemojte nikada upotrebljavati metalom ojačane niti, žicu ili užu i sl. jer mogu se odlomiti i postati opasni projektili.

1. Izvadite komplet baterija.
2. Ako je potrebno, uklonite preostalu reznu nit.
3. Odrežite 4 m rezne niti i umetnite reznu nit u montažni provrt u ušici (sl. R). Provcucite reznu nit i povlačite je s druge strane dok rezna nit ne bude iste dužine s obje strane kalema.
4. Pritisnite dok sklop donjeg poklopcu okrećete u smjeru strelice kako biste reznu nit namotali na kalem tako da sa svake strane ostane oko 14 cm rezne niti (sl. S).
5. Gurnite sklop donjeg poklopcu prema dolje pritom povlačeći reznu nit kako biste je ručno pomjerali prema naprijed i provjerili ispravnu montažu glave trimera.

Ako se rezna nit otkine na izlazu niti ili ako se rezna nit ne otpusti lupkanjem po glavi trimera, slijedite korake u nastavku:

1. Pritisnite jezičke za otpuštanje na gornjem poklopcu i uklonite sklop donjeg poklopcu povlačeći ga ravno van (sl. T i U).
2. Izvadite reznu nit iz kalema.
3. Jednom rukom držite sklop gornjeg poklopcu, drugom rukom uzмите sklop donjeg poklopcu i poravnajte jezičke na gornjem poklopcu s provrtima u sklopu donjeg poklopcu (sl. V); dlanom pritisnite sklop donjeg poklopcu dok jezičci ne ulegnu u gornji poklopac.
4. Za ponovno namotavanje rezne niti pratite uputstva u

odjeljku "ZAMJENA REZNE NITI".

## ZAMJENA TROKRAKOG NOŽA

**NAPOMENA!** Prije rada s trokrakim nožem potrebno je nositi rukavice radi zaštite od povreda.

1. Skinite sklop donjeg poklopcu kako je prikazano na sl. T i U.
2. Umetnite stabilizator, a zatim pomoću udarnog ključa otpustite maticu kako je prikazano na sl. X1 i X2.
3. Uklonite sve dijelove osim unutrašnje prirubnice i matice (sl. X3). Stavite nož na osovinu motora kako je prikazano na sl. X4.
4. Pritegnite nož kako je prikazano na sl. X5.

**⚠ UPOZORENJE!** Kada režete mlade grančice ili druge drvenaste materijale prečnika do 2 cm, upotrebljavajte lijevu stranu noža da izbjegnute situacije s povratnim udarom noža. Nemojte pokušavati da režete drvenasti materijal većeg prečnika jer se nož može zaglaviti ili naglo potisnuti čistač šikare prema naprijed. To može uzrokovati oštećenje noža ili čistača šikare ili gubitak kontrole nad čistačem šikare, što može rezultirati tjelesnim povredama.

**NAPOMENA!** Redovno oštrite nož (kada primjetno otupi) i prema potrebi ga centrirajte (obavlja kvalifikovani servisni tehničar).

## ODRŽAVANJE

**⚠ UPOZORENJE!** Kada obavljate radove servisiranja, upotrebljavajte samo identične zamjenske dijelove. Redovno obavljajte pregled i održavanje uređaja. Radi osiguranja sigurnosti i pouzdanosti, sve popravke treba obavljati kvalifikovani servisni tehničar.

**⚠ UPOZORENJE!** Radi sprečavanja teških tjelesnih povreda, prije servisiranja, čišćenja, promjene priključaka ili uklanjanja materijala iz jedinice izvadite komplet baterija iz alata.

**⚠ OPREZ!** Zapreke u ventilacijskim otvorima spriječit će protok zraka u kućište motora i rezultirati pregrijavanjem ili oštećenjem motora.

## ČIŠĆENJE JEDINICE

- Jedinicu čistite vlažnom krpom i blagim deterdžentom. Nemojte nikada dozvoliti da tekućina dospjeje u alat i nemojte nikada uranjati dijelove alata u tekućinu.
- Za čišćenje plastičnog kućišta ili rukohvata nemojte upotrebljavati jake deterdžente jer mogu ih oštetiti neka aromatična ulja, kao što su borovo i limunovo

ulje i rastvori kao što je kerozin. Vлага može izazvati opasnost od strujnog udara. Vlažna mjesta obrišite mekanom suhom krpom.

- Za čišćenje zračnih ventilacijskih otvora na stražnjem kućištu upotrebljavajte malu četku ili ispuštanje zraka iz male četke usisivača.
- Zračne ventilacijske otvore u kućištu motora cijelo vrijeme održavajte čistim od naslaga.

### PODMAZIVANJE PRIJENOSNIKA

Prijenosnike u kućištu potrebno je povremeno podmazivati mašću za prijenosnike. Nivo masti u kućištu prijenosnika provjeravajte svakih 50 radnih sati uklanjanjem brtvenog vijka na strani kućišta.

Ako se na bočnim stranama prijenosnika ne vidi mast, za punjenje s mašću za prijenosnike do 3/4 zapremine pratite korake u nastavku. Prijenosnik nemojte puniti u cijelosti.

1. Držite trimer s reznom niti na njegovoj bočnoj strani tako da brtveni vijak bude usmjeren prema gore (sl. W).
2. Za otpuštanje i uklanjanje brtvenog vijka upotrijebite isporučeni višefunkcijski ključ.
3. Za ubrizgavanje masti u provrt za vijke upotrebljavajte mazalicu (nije u sadržaju isporuke); nemojte prekoračivati 3/4 zapremine.
4. Brtveni vijak pritegnite nakon ubrizgavanja.

### SKLADIŠTENJE JEDINICE

- Izvadite komplet baterija iz trimera s reznom niti kada ga ne upotrebljavate.
- Alat dobro očistite prije skladištenja.
- Jedinicu skladištite na suhom, dobro prozračenom mjestu koje je moguće zaključati ili koje je na visini van dohvata djece. Jedinicu nemojte skladištiti na gnojivima, benzinu ili drugim hemikalijama ili u njihovoj blizini.
- Tokom transporta i skladištenja na trokraki nož stavite navlaku za nož.

### Zaštita životne sredine



Električnu opremu, iskorištenu bateriju i punjač ne odlažite u kućni otpad! Ovaj proizvod odnesite u ovlašteni centar za reciklažu i time omogućite odvojeno sakupljanje. Električne alate potrebno je vratiti u ekološki prihvatljiv pogon za reciklažu.

## OTKLANJANJE PROBLEMA

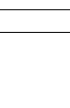
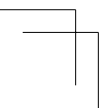
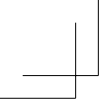
PROBLEM	UZROK	RJEŠENJE
Trimer s reznom nije moguće pokrenuti.	<ul style="list-style-type: none"> <li>■ Komplet baterija nije pričvršćen na trimer.</li> <li>■ Nema električnog kontakta između trimera i baterije.</li> <li>■ Komplet baterija je ispražnjen.</li> <li>■ Dugme za deblokadu i okidač ne pritišću se istovremeno.</li> </ul>	<ul style="list-style-type: none"> <li>■ Pričvrstite komplet baterija na trimer.</li> <li>■ Izvadite bateriju, provjerite kontakte i ponovo stavite komplet baterija.</li> <li>■ Napunite komplet baterija.</li> <li>■ Pritisnite dugme za deblokadu i držite ga pritisnutom, a zatim pritisnite okidač kako biste uključili trimer s reznom niti.</li> </ul>
Trimer s reznom niti zaustavlja se tokom rezanja.	<ul style="list-style-type: none"> <li>■ Štitnik nije postavljen na trimer, što rezultira predugačkom reznom niti i preopterećenjem motora.</li> <li>■ Upotrebljava se teška rezna nit.</li> <li>■ Osovinu motora ili glavu trimera blokira trava.</li> <li>■ Motor je preopterećen.</li> <li>■ Komplet baterija ili trimer s reznom niti je previše vruć.</li> <li>■ Komplet baterija je odspojen od alata.</li> <li>■ Komplet baterija je ispražnjen.</li> </ul>	<ul style="list-style-type: none"> <li>■ Izvadite komplet baterija i postavite štitnik na trimer.</li> <li>■ Upotrebljavajte preporučenu najlonsku reznou nit prečnika ne većeg od 2,4 mm.</li> <li>■ Zaustavite trimer, izvadite bateriju i očistite travu s osovine motora i glave trimera.</li> <li>■ Očistite glavu trimera od trave. Motor će se povratiti po uklanjanju opterećenja. Glavu trimera prilikom rezanja pomjerajte u travu i iz trave i jednim rezom ne uklanjajte više od 20 cm dužine.</li> <li>■ Pričekajte da se komplet baterija ili trimer ohlade na temperaturu ispod 67°C.</li> <li>■ Ponovo stavite komplet baterija.</li> <li>■ Napunite komplet baterija.</li> </ul>

PROBLEM	UZROK	RJEŠENJE
Glava trimera ne izvlači reznu nit.	<ul style="list-style-type: none"> <li>■ Osovinu motora ili glavu trimera blokira trava.</li> <li>■ Na kalemu nema dovoljno rezne niti.</li> <li>■ Glava trimera je zaprljana.</li> <li>■ Rezna nit se zapetljala na kalem.</li> <li>■ Rezna nit je prekratka.</li> </ul>	<ul style="list-style-type: none"> <li>■ Zaustavite trimmer, izvadite bateriju i očistite osovinu motora i glavu trimera.</li> <li>■ Izvadite bateriju i zamijenite reznu nit; slijedite uputstva u poglavlju "ZAMJENA REZNE NITI" u ovom uputstvu za upotrebu.</li> <li>■ Izvadite bateriju i očistite glavu trimera.</li> <li>■ Izvadite bateriju, uklonite reznu nit iz glave trimera i ponovo je namotajte; slijedite uputstva u poglavlju "PONOVRNO NAMOTAVANJE REZNE NITI" u ovom priručniku.</li> <li>■ Izvadite bateriju i rukom povucite rezne niti dok naizmjenično pritišćete i otpušate glavu trimera.</li> </ul>
Trava se omotava oko glave trimera i kućišta motora.	<ul style="list-style-type: none"> <li>■ Visoka trava reže se od nivoa tla.</li> </ul>	<ul style="list-style-type: none"> <li>■ Visoku travu režite odozgo prema dolje i pritom ne režite više od 20 cm u svakom prolazu kako biste izbjegli omotavanje.</li> </ul>
Pukotine na glavi trimera ili se sklop donjeg poklopca otpustio s gornjeg poklopca.	<ul style="list-style-type: none"> <li>■ Glava trimera je istrošena.</li> </ul>	<ul style="list-style-type: none"> <li>■ Neposrednu zamjenu glave trimera prepustite kvalifikovanom servisnom tehničaru.</li> </ul>

## GARANCIJA

### POLITIKA GARANCIJE PROIZVOĐAČA EGO

Za sve odredbe i uslove politike garancije proizvođača EGO posjetite internetsku stranicu [egopowerplus.eu](http://egopowerplus.eu).





المشكلة	السبب	الحل
تلتف الحشائش حول رأس الجرّازة وهيكل المحرك.	■ يت جرّ الحشائش الطويلة عند مستوى الأرض. ■ رأس الجرّازة متهالك.	■ اقطع العشب الطويل من أعلى لأسفل، مع إزالة طول لا يزيد عن 20 سم في كل مرة لمنع التفاف العشب على أجزاء الآلة. ■ يجب أن يتم استبدال رأس الجرّازة بواسطة فني صيانة متخصص.
هناك تشققات في رأس الجرّازة، أو تجميعية الغطاء السفلي تنفك من الغطاء العلوي.		

## الضمان

سياسة ضمان EGO

تفضل بزيارة الموقع الإلكتروني [egopowerplus.eu](http://egopowerplus.eu) للتعرف على الشروط والأحكام الكاملة الخاصة بسياسة ضمان EGO.

## استكشاف الأخطاء وإصلاحها

المشكلة	السبب	الحل
لا يمكن بدء تشغيل الجِزَارة العاملة بالخيوط.	<ul style="list-style-type: none"> <li>مجموعة البطارية غير مركبة في الجِزَارة.</li> <li>لا يوجد اتصال كهربائي بين الجِزَارة والبطارية.</li> <li>نفذ شحن مجموعة البطارية.</li> <li>لم يتم الضغط على زر القفل والزناد بشكل متزامن.</li> </ul>	<ul style="list-style-type: none"> <li>قم بتركيب مجموعة البطارية في الجِزَارة.</li> <li>اخلع البطارية، وافحص التوصيلات، ثم أعد تركيب مجموعة البطارية.</li> <li>اشحن مجموعة البطارية.</li> <li>اضغط لأسفل مع التثبيت على زر القفل، ثم اضغط مع التثبيت على الزناد لتشغيل الجِزَارة العاملة بالخيوط.</li> </ul>
الجِزَارة العاملة بالخيوط تتوقف أثناء الجِز.	<ul style="list-style-type: none"> <li>الواقى غير مركب على الجِزَارة، وهو ما يؤدي إلى خيوط قطع طويل للغاية ووجود حمل زائد على المحرك.</li> <li>تم استخدام خيوط قطع ثقيل.</li> <li>هناك عشب ملتف حول عمود المحرك أو رأس الجِزَارة.</li> <li>هناك حمل زائد على المحرك.</li> <li>مجموعة البطارية أو الجِزَارة العاملة بالخيوط ساخنة للغاية.</li> <li>مجموعة البطارية مفصولة من الآلة.</li> <li>نفذ شحن مجموعة البطارية.</li> </ul>	<ul style="list-style-type: none"> <li>اخلع مجموعة البطارية وركب الواقى على الجِزَارة.</li> <li>استخدم خيوط الجِز الموصى به من النايلون بحيث لا يزيد قطره عن 2.4 مم.</li> <li>أوقف الجِزَارة، واخلع البطارية، وتخلص من العشب الملتف على عمود المحرك ورأس الجِزَارة.</li> <li>ارفع رأس الجِزَارة عن الحشائش. سيعاود المحرك العمل بمجرد التخلص من الحمل الواقع عليه. أثناء الجِز، حرك رأس الجِزَارة داخل الحشائش المراد جِزها وخارجها، ولا تقم بإزالة طول يزيد عن 20 سم في كل مرة جِز.</li> <li>اترك مجموعة البطارية أو الجِزَارة تبرد إلى تهبط درجة الحرارة إلى ما دون 67 درجة مئوية.</li> <li>أعد تركيب مجموعة البطارية.</li> <li>اشحن مجموعة البطارية.</li> </ul>
لا يقوم رأس الجِزَارة بدفع الخيوط للأمام.	<ul style="list-style-type: none"> <li>هناك عشب ملتف حول عمود المحرك أو رأس الجِزَارة.</li> <li>لا يوجد خيوط كافٍ على ملف الخيوط.</li> <li>رأس الجِزَارة متسخ.</li> <li>الخيوط متشابك على ملف الخيوط.</li> <li>الخيوط قصير للغاية.</li> </ul>	<ul style="list-style-type: none"> <li>أوقف الجِزَارة، واخلع البطارية، ونظف عمود المحرك ورأس الجِزَارة.</li> <li>اخلع البطارية واستبدل خيوط الجِز؛ واتبع التعليمات الواردة في قسم "استبدال الخيوط" من هذا الدليل.</li> <li>اخلع البطارية ونظف رأس الجِزَارة.</li> <li>اخلع البطارية، واخلع الخيوط من رأس الجِزَارة وأعد لفه؛ واتبع التعليمات الواردة في قسم "إعادة تحميل خيوط الجِز" من هذا الدليل.</li> <li>اخلع البطارية واسحب الخيوط يدويًا بينما تقوم بشكل متتابع بالضغط على رأس الجِزَارة لأسفل ثم تحريرها.</li> </ul>

تسمح أبدًا بدخول أي سوائل إلى داخل الآلة؛ ولا تغمر أي جزء منها في السوائل بأي حال من الأحوال.

- لا تستخدم أي منظفات قوية على الهيكل البلاستيكي أو المقبض. لأنهم معرضون للتلف بفعل زيوت عطرية معينة، مثل الصنوبر والليمون، وبفعل محاليل مثل الكيروسين. كما قد تتسبب الرطوبة في التعرض لصدمة كهربائية. امسح أي بلل بقطعة قماش جافة ناعمة.
- استخدم فرشاة صغيرة أو التفريغ الهوائي من فرشاة مكنسة كهربائية صغيرة في تنظيف فتحات الهواء الموجودة بالهيكل الخلفي.
- حافظ على خلو فتحات الهواء الموجودة في هيكل المحرك من العوائق في جميع الأوقات.

### تشحيم علبه التروس

علبة التروس الموجودة في صندوق ناقل الحركة تحتاج للتشحيم بشكل منتظم باستخدام شحم مخصص لذلك. افحص مستوى تشحيم صندوق ناقل الحركة بعد كل 50 ساعة تشغيل عن طريق خلع مسمار القفل الموجود بجانب الصندوق.

إن لم تستطع رؤية أي شحم على أسنان التروس، اتبع الخطوات التالية للتعبئة بشحم ناقل الحركة حتى مستوى 4/3 من السعة الداخلية. لا تملأ ناقل الحركة بالكامل.

1. امسك الجزّارة العاملة بالخيوط وهي على جانبها بحيث يكون مسمار القفل ووجهه لأعلى (الشكل W).
2. استخدم مفتاح الربط متعدد الوظائف المرفق في فك واخلع مسمار القفل.
3. استخدم محقنة تشحيم (غير مرفقة) لحقن بعض الشحم في فتحة المسمار؛ بحيث لا تتخطى 4/3 من السعة الداخلية.
4. اربط مسمار القفل بعد الحقن.

### تخزين الوحدة

- اخلع مجموعة البطارية من الجزّارة العاملة بالخيوط عند عدم استخدامها.
- نظف الآلة جيدًا قبل تخزينها.
- خزن الوحدة في منطقة جافة جيدة التهوية، بحيث يكون في مكان مقفل أو عالٍ عن سطح الأرض بعيدًا عن متناول أيدي الأطفال. لا تقم بتخزين الوحدة على الأسمدة أو النيزين أو المواد الكيميائية الأخرى، أو بجوارها.

- استخدام غلاف الشفرة مع الشفرة ثلاثية الأسنان أثناء النقل والتخزين.

### حماية البيئة

اتخلص من المعدات الكهربائية أو البطارية المستهلكة أو الشاحن في النفايات المنزلية! بل توجه بهذا المنتج إلى مركز إعادة تدوير معتمد ليكون متاحًا للفرز بشكل منفرد. تجب إعادة الآلات الكهربائية إلى مرفق إعادة تدوير صديق للبيئة.



1. اضغط على أسنة التحرير الموجودة بالغطاء العلوي، واخلع تجميعة الغطاء السفلي عن طريق سحبها للخارج بشكل مستقيم (انظر الشكل T وU).
2. أزل خيط القطن عن ملف الخيوط.
3. بينما تمسك بإحدى يديك بتجميعة الغطاء السفلي، استخدم اليد الأخرى في الإمساك بتجميعة الغطاء السفلي ومحاذاة الأسنة الموجودة بالغطاء العلوي مع الفتحات الموجودة في تجميعة الغطاء السفلي (الشكل V)؛ استخدم راحة يدك في الضغط على تجميعة الغطاء السفلي إلى أن تتشبك الأسنة مع الغطاء العلوي.
4. اتبع التعليمات الواردة في قسم «استبدال الخيط» لإعادة تحميل خيط الجز.

### استبدال الشفرة ثلاثية الأسنان

**تنبيه:** للحماية من الإصابات، يجب عليك ارتداء قفازات قبل أي تشغيل للآلة مع وجود الشفرة ثلاثية الأسنان.

1. اخلع تجميعة الغطاء السفلي على النحو الموضح في الشكلين T وU.
2. أدخل قضيب الموازنة، ثم استخدم جهاز ربط بالصدمات في فك الصامولة على النحو الموضح في الشكلين X1 وX2.
3. اخلع جميع الأجزاء ما عدا الشفة الداخلية والصامولة (الشكل X3)، وقم بتركيب الشفرة على عمود المحرك على النحو الموضح في الشكل X4.
4. اربط الشفرة كما هو موضح في الشكل X5.

**تحذير:** عند قطع صفوف الأشجار الصغيرة والمواد الخشبية الأخرى التي يصل قطرها حتى 2 سم، استخدم الجانب الأيسر من الشفرة لتجنب حالات ارتداد الآلة. لا تحاول قطع المواد الخشبية التي لها قطر أكبر، حيث أن الشفرة قد تجعل قاطع الأغصان ينحسر أو يهتز. هذا قد يتسبب في تلف الشفرة أو قاطع الأغصان أو فقد السيطرة على قاطع الأغصان، وهو ما يؤدي إلى وقوع إصابات شخصية.

**تنبيه:** أعد شحذ الشفرة بانتظام (عندما تكون غير حادة بشكل ملحوظ) واضبط توازنها عند اللزوم (يتم تنفيذ ذلك بواسطة فني صيانة متخصص).

### الصيانة

**تحذير:** استخدم فقط قطع غيار أصلية عند إجراء أعمال الصيانة. قم بفحص وصيانة الآلة بانتظام. لضمان السلامة والاعتمادية، يجب تنفيذ جميع أعمال الإصلاح من قبل فني خدمة مؤهل.

**تحذير:** لمنع التعرض لإصابات شخصية خطيرة، اخلع مجموعة البطارية من الآلة قبل إجراء أعمال الصيانة، أو التنظيف، أو تغيير الملحقات الإضافية، أو إزالة المواد من الوحدة.

**تنبيه:** العوائق الموجودة في الفتحات قد تمنع الهواء من التدفق في هيكل المحرك، وهو ما قد يؤدي إلى السخونة المفرطة أو تلف المحرك.

### تنظيف الوحدة

- نظف الوحدة باستخدام قطعة قماش مبللة مع منظف خفيف. لا

## الأشكال.

قد تصبح شفرة قطع الخيط الموجودة على حافة الواقي غير حادة مع مرور الوقت. من الموصى به أن تقوم بتبشدها من أن لأخر باستخدام مبرد أو استبدالها بشفرة جديدة.

**تحذير:** احرص دائماً على ارتداء قفازات عند تركيب الواقي أو استبداله، أو عند شحذ شفرة قطع الخيط أو استبدالها. انتبه لمكان الشفرة الموجودة عند الواقي، واحم يدك من التعرض لإصابات.

### تحقق من انسداد رأس الجزارة

- لمنع الانسداد، حافظ على نظافة رأس الجزارة. قم بإزالة قصاصات العشب والأوراق والأوساخ وأي عوائل متراكمة أخرى قبل كل استخدام وبعده.
- عند حدوث انسداد، أوقف تشغيل جزارة الخيط واخلع البطارية، ثم قم بإزالة أي عشب قد يكون ملفوفاً حول عمود المحرك أو رأس الجزارة.

### نظف الجزارة بعد كل استخدام.

#### تعديل طول خيط الجرّ

رأس الجزارة يتيح للمشغل تحرير المزيد من خيط الجرّ دون إيقاف المحرك. بعد أن يصبح الخيط منسلاً أو مهالكاً، يمكن تحرير خيط إضافي عن طريق نفرة خفيفة برأس الجزارة على الأرض أثناء تشغيل الجزارة (الشكل Q).

**ملاحظة:** سيصبح تحرير الخيط أكثر صعوبة عندما يصبح خيط الجرّ أقصر.

**تحذير:** لا تقم بخلع أو تعديل تجميعة شفرة الجرّ بالخيط الطول الزائد في الخيط قد يتسبب في السخونة المفرطة للمحرك، ما قد يؤدي إلى التعرض لإصابات شخصية خطيرة.

#### استبدال الخيط

**ملاحظة:** احرص دائماً على استخدام خيط النايلون الموصى به ولا يتخطى قطره 2.4 مم. لأن استخدام خيط آخر غير الموصى به قد يتسبب في السخونة المفرطة للجزارة العاملة بالخيط أو تعرضها للتلف.

**تحذير:** لا تقم أبداً باستخدام خيط معزز معدنيّ، أو سلك معدني، أو حبل، أو ما شابه ذلك. لأن تلك الأشياء قد تنقطع وتتسبب في تطاير أشياء خطيرة.

- اخلع مجموعة البطارية.
- اخلع خيط الجرّ المتبقي، عند اللزوم.
- اقطع خيط جرّ طوله 4 سم، وأدخل الخيط في فتحة التركيب الموجودة داخل الثقب (الشكل R). ادفع الخيط واسحبه من الجانب الآخر حتى ظهور نفس الطول للخيط على كلا جانبي ملف الخيط.
- أثناء دوران تجميعة الغطاء السفلي في اتجاه السهم، اضغط لسحب الخيط على ملف الخيط إلى أن يظهر حوالي 14 سم من الخيط على كل جانب (الشكل S).
- اضغط لأسفل على تجميعة الغطاء السفلي بينما تسحب من الخيط، لتدفع الخيط للأمام يدوياً وللتحقق من التجميع السليم لرأس الجزارة.

عند انقطاع خيط الجرّ من فتحة الخيط، أو عدم تحرر خيط الجرّ عند نقر رأس الجزارة، اتبع الخطوات أدناه:

## للخلع

اضغط لأسفل على زر تحرير البطارية، واسحب مجموعة البطارية للخارج كما هو موضح في الشكل L.

### L-1 زر تحرير البطارية

#### إمسك الجزارة العاملة بالخيط

للتشغيل بشكل أفضل وأكثر أمناً، ارتد شريط الكتف بحيث يمر عبر الكتف كما هو موضح في الشكل N. اضبط شريط الكتف على وضعية تشغيل مريحة. أمسك الجزارة العاملة بالخيط بكلتا يديك: إحدى يديك على المقبض الخلفي، واليد الأخرى على مقبض المساعدة الأمامي.

**ملاحظة:** ينبغي أن يكون رأس الجزارة موازياً للأرض على مسافة جرّ ملائمة دون اضطراب مشغل الآلة للانحناء (الشكل N).

هناك طريقتان لتحرير الشريط. اخلعه من على كتفك مباشرة (الشكل O) أو اضغط على خطاف الشريط وافصله من حمالة تثبيت شريط الكتف المثبتة على العمود (الشكل P).

**تحذير:** كما أن شريط الكتف مزود بآلية التحرير السريع في المواقف الخطرة. عند حدوث طارئ، اخلعه عن كتفك على الفور، بغض النظر عن طريقة تثبيته.

#### بدء تشغيل/إيقاف الجزارة العاملة بالخيط (الشكل M)

#### لبد التشغيل

اضغط لأسفل على ذراع القفل، ثم اضغط مع التثبيت على الزناد. الضغط المختلف على الزناد يؤدي إلى سرعة دوران مختلفة لخيط الجرّ. حيث المزيد من الضغط، يؤدي لسرعة أعلى.

#### للإيقاف

تحرير الزناد.

**ملاحظة:** لا يعمل المحرك إلا عند الضغط على زر القفل والزناد معاً.

#### وظيفة ضبط السرعة (الشكل M)

الجزارة العاملة بالخيط بها سرعتان. الوضع «1» للسرعة المنخفضة، بينما الوضع «2» للسرعة العالية.

M-1	مفتاح السرعة العالية/المنخفضة
M-2	زر القفل
M-3	الزناد

#### استخدام الجزارة العاملة بالخيط

نظف منطقة الجرّ قبل كل استخدام للآلة. تخلص من جميع الأشياء مثل الصخور أو الزجاج المكسور أو المسامير أو الأسلاك أو الخيوط التي قد تدخل في ملحق الجرّ أو تعيقه. أبق المنطقة خالية من الأطفال والمرافقين والحيوانات الأليفة. على الأقل، اجعل الأطفال والمرافقين والحيوانات الأليفة على مسافة لا تقل عن 15 متراً؛ فقد يكون هناك خطر تعرض المرافقين للأشياء المتطايرة. يجب تشجيع المرافقين على ارتداء أدوات حماية العينين. عند اقتراب أي شخص، أوقف المحرك وملحق الجرّ على الفور.

#### قبل كل استخدام، افحص الأجزاء التالية/المتآكلة

افحص رأس المصد والواقي ومقبض المساعدة الأمامي، واستبدل الأجزاء المشققة أو الملتوية أو المتآكلة أو المتآكلة بأي شكل من

## التجميع

- المساعدة الأمامي متجهًا لأعلى ويشير إلى ناحية الجزء العلوي من المقبض الخلفي (الشكل G).  
5. اضبط مقبض المساعدة الأمامي بين العتية والمصق للتأكد من أن ذراعك الذي ستستخدمه مع المقبض ممتد على استقامته أثناء التشغيل (الشكل H).  
6. اقل ذراعاً قضيب القفل (الشكل I).

**تحذير:** لا يمكن استخدام الآلة دون إحكام تثبيت مقبض المساعدة الأمامي.

### تركيب شريط الكتف

للحصول على تشغيل آمن وأفضل، ضع الحزام فوق أحد كتفك ومرره عبر ظهرك.

1. اضغط مع التثبيت على خطاف الشريط لفتحه، ثم ركبته في حَمالة تثبيت شريط الكتف (الشكل J).
2. اضبط طول حزام الكتف وموضعه على وضع تشغيل مريح – أمسك الجزازة بكلتا يديك: إحدى اليدين على المقبض الخلفي والأخرى على المقبض الأمامي.

**تحذير:** شريط الكتف مزود أيضًا بآلية التحرير السريع في المواقف الخطرة. عند حدوث طارئ، اخلعه عن كتفك على الفور، بغض النظر عن طريقة تثبيته.

يجب ألا تستخدم حزام الكتف المفرد وحزام الكتف المزدوج بشكل متزامن.

عند ارتداء الحزام، يجب ألا تتداخل أي أشياء أخرى قابلة للارتداء مع تحرير الحزام وإزالته.

## التشغيل

**تحذير:** احرص دائمًا على ارتداء واقيات للعينين أو نظارات حماية مزودة بواقيات على الجانبين، بالإضافة إلى أدوات حماية الأذنين. قد ينجم عن عدم الامتثال لذلك دخول أشياء في عينيك، واحتمالية وقوع إصابات خطيرة.

يمكنك استخدام هذا المنتج للأغراض الموضحة أدناه:

**جَرّ السياج:** تستخدم الآلة في إزالة العشب والحشائش الضارة الموجودة عند الجدران والأسوار والأشجار والحدود.

**الجَرّ:** تستخدم في جَرّ العشب الذي يصعب الوصول إليه باستخدام جَرّازة عادية.

**ملاحظة:** يجب استخدام الآلة للغرض المحدد لها فقط. أي استخدام آخر، على سبيل المثال جَرّ الحواف، يعد حالة من حالات سوء الاستخدام.

### تركيب/خلع مجموعة البطارية

لا تستخدم الآلة إلا مع مجموعات البطارية والشواحن المدرجة في الشكل A2.

**اشحن البطارية بالكامل قبل الاستخدام لأول مرة.**

### للتركيب

قم بمحاذاة دعائم البطارية مع فتحات التركيب، واضغط على مجموعة البطارية لأسفل إلى أن تسمع صوت «نقرة» (الشكل K).

**تحذير:** إذا حدث تلف أو فقد في أي أجزاء، لا تقم بتشغيل هذا المنتج إلا بعد استبدال الأجزاء. استخدام هذا المنتج مع وجود أجزاء تالفة أو مفقود قد يؤدي إلى وقوع إصابات شخصية خطيرة.

**تحذير:** لا تحاول إجراء أي تعديلات على هذا المنتج أو ابتداء ملحقات غير موصى بها للاستخدام مع جزازة الخيط هذه. أي تغيير أو تعديل من هذا النوع يعتبر سوء استخدام، وقد يؤدي إلى وضع خطير قد يتسبب في وقوع إصابات شخصية خطيرة محتملة.

**تحذير:** لمنع بدء التشغيل غير المقصود، والذي قد يؤدي إلى وقوع إصابات شخصية خطيرة، احرص دائمًا على خلع مجموعة البطارية من الآلة عند تجميع الأجزاء.

**تحذير:** قم بتركيب قضيب حاجز الأمان إذا كانت الآلة مجهزة برأس قاطع الأغصان.

### تركيب الواقي

**تحذير:** احرص دائمًا على ارتداء قفازات عند تركيب الواقي أو استبداله. كن حذرًا من الشفرة الموجودة عند الواقي، واحم يديك من التعرض للجرح.

**تحذير:** لا يجب مطلقًا تشغيل الآلة من دون تثبيت الواقي بإحكام في مكانه. يجب تركيب الواقي دائمًا في الآلة لحماية المستخدم! عندما يكون الواقي مثبتًا، لا تحاول أبدًا خلع الواقي أو تعديله وضعه؛ وعند الحاجة لاستبداله، ينبغي أن يقوم بذلك في صيانة متخصصة!

1. فك المسامير من الواقي (الشكل B) واخلعها.
2. قم بمحاذاة فتحات تركيب الواقي مع فتحات التجميع، ثم ثبت الواقي على قاعدة العمود بالمسامير، بالإضافة للوردتين الزنبركيتين (الشكل C).

**ملاحظة:** احرص على تثبيت الواقي وفقًا للشكلين B و C، لأن أي تثبيت يخالف ذلك قد يتسبب في مخاطر كبيرة!

### تركيب مقبض المساعدة الأمامي وضبطه

1. فك قضيب القفل الموجود في مقبض المساعدة الأمامي، واخلع قضيب القفل والصامولة المجنحة من مقبض المساعدة الأمامي (الشكل D).

**ملاحظة:** قم بتركيب تجميعة حاجز الأمان على مقبض العروة بالمسامير عندما تكون الآلة مجهزة برأس قاطع الأغصان.

**ملاحظة:** هناك نوعان من قضيب القفل، الأقصر منهما مخصص للاستخدام مع رأس الجزازة. أما الأطول فمخصص للاستخدام مع رأس قاطع الأغصان. احذر من اختيار قضيب القفل غير المناسب عند استخدام الآلة.

D-1	مقبض المساعدة الأمامي	D-4	حاجز الأمان (لرأس قاطع الأغصان فقط)
D-2	كتلة المشبك	D-5	قضيب القفل
D-3	صامولة مجنحة		

2. ادفع المقبض الأمامي على العمود أمام العتية. ولا تضعه أبدًا بين العتية ومنطقة المقبض الخلفي (الشكل E).

3. أدخل كتلة المشبك في فتحة المقبض (الشكل F).

4. ركب قضيب القفل، واربطه بشكل مسبق باستخدام الصامولة المجنحة. احرص على أن يكون مقبض

## المواصفات

## الوصف

### تعرف على الجزارة العاملة بالخيوط (الشكل A1)

1. عتبة الزناد
2. المقبض الخلفي
3. مدخل الهواء
4. زر القفل
5. مفتاح السرعة العالية/المنخفضة
6. حاملة تثبيت شريط الكنف
7. مقبض المساعدة الأمامي القابل للضبط
8. شريط الكنف
9. مفتاح ربط متعدد الوظائف
10. مفتاح ربط أساسي (الإنكيه)
11. رأس الجزارة (رأس المصد)
12. خيط الجزر
13. لسان التحرير
14. شفرة قطع الخيوط
15. الواقي
16. آلية الإخراج
17. الوصلات الكهربائية
18. لسان
19. حشوات مطاطية للحماية
20. زر تحرير البطارية
21. حاجز الأمان (الرأس قاطع الأغصان فقط)
22. قضيب القفل لحاجز الأمان (الرأس قاطع الأغصان فقط)
23. الشفة الخارجية (الرأس قاطع الأغصان فقط)
24. صامولة (الرأس قاطع الأغصان فقط)
25. مسمار (الرأس قاطع الأغصان فقط)
- 26.

## قائمة المحتويات

الكمية	اسم الجزء
1	الجزارة العاملة بالخيوط
1	الواقي
1	تجميعة مقبض المساعدة الأمامي
1	مفتاح ربط أساسي (الإنكيه)
1	مفتاح ربط متعدد الوظائف
1	شريط الكنف
1	دليل التشغيل
1	قضيب القفل
1	الشفة الخارجية
1	صامولة
2	مسمار

شفرة ثلاثية الأسنان	رأس الجزارة	
56 فولت ---	56 فولت ---	الجهد الكهربائي
0 - 40 درجة مئوية		درجة حرارة التشغيل الموصى بها
20 - 70 درجة مئوية		درجة حرارة التخزين الموصى بها
5 - 40 درجة مئوية		درجة حرارة الشحن المثالية
6000/5000 دقيقة <sup>1</sup>	6000/5000 دقيقة <sup>1</sup>	السرعة بدون حمل
/	2.4 مم	نوع خيط الجزر
ABB1203	/	شفرة القطع
30 سم	38 سم	عرض الجزر
4.45 كجم	4.21 كجم	الوزن (بدون وحدة البطارية)
96.5 ديسيبل (A)	94.6 ديسيبل (A)	مستوى قوة الصوت المُقترَ L <sub>WA</sub>
1.88=K ديسيبل (A)	1.8=K ديسيبل (A)	
76.5 ديسيبل (A)	81.7 ديسيبل (A)	مستوى ضغط الصوت عند أن مشغل الآلة L <sub>PA</sub>
3=K ديسيبل (A)	2.5=K ديسيبل (A)	
98 ديسيبل (A)	96 ديسيبل (A)	مستوى قوة الصوت المضمون L <sub>WA</sub> (وفقاً للمعيل (2000/14/EC))
2.8 م/ثانية <sup>2</sup>	3.2 م/ثانية <sup>2</sup>	مقبض المساعدة الأمامي
1.5=K م/ثانية <sup>2</sup>	1.5=K م/ثانية <sup>2</sup>	الاهتزاز a <sub>n</sub>
3.1 م/ثانية <sup>2</sup>	2.3 م/ثانية <sup>2</sup>	لمقبض الخلفي
1.5=K م/ثانية <sup>2</sup>	1.5=K م/ثانية <sup>2</sup>	

- القيمة الكلية للاهتزاز الموضحة تم قياسها وفقاً لطريقة اختبار قياسية وقد تستخدم لمقارنة أداة بأخرى؛
- كما يمكن استخدام القيمة الكلية للاهتزاز الموضحة في التقييم التمهيدي للتعرض.

**ملاحظة:** قد تختلف انبعاثات الاهتزاز أثناء الاستخدام الفعلي للآلة العاملة بالطاقة عن القيمة المعلنة التي يتم استخدام الآلة فيها؛ ولحماية مشغل الآلة، ينبغي على المستخدم ارتداء قفازات وواقيات للأذن في ظروف الاستخدام الفعلية.

## اقرأ جميع التعليمات!

اقرأ دليل التشغيل



## رموز السلامة

**⚠ تحذير:** قد يؤدي تشغيل أي آلة عاملة بالطاقة إلى دخول أي أشياء غريبة في عينيك، وهو ما قد يؤدي إلى إلحاق أضرار خطيرة بالعين. قبل بدء تشغيل الآلة العاملة بالطاقة، احرص دائمًا على ارتداء واقبات العينين أو نظارات حماية العينين ذات دروع جانبية، ودرع واقي لكامل الوجه عند اللزوم. نوصي بارتداء قناع السلامة واسع الرؤية لاستخدامه فوق نظارات العين أو نظارات السلامة العادية ذات الدروع الجانبية.

اقرأ دليل التشغيل وافهمه



تنبيه سلامة



ارتد أدوات حماية الأذنين



ارتد أدوات حماية العينين



احذر الأشياء المتطايرة



تنبيه للمستخدم كي لا يستخدم شفرات معدنية



افصل البطارية قبل إجراء أعمال الصيانة



يجب ألا تقل المسافة بين الآلة والأشخاص الواقفين عن 15 مترًا.



عرض الجرّ-الحد الأقصى لعرض جرّ الجرّازة العاملة بالخيوط



قطر الخيط-قطر خيط الجرّ المصنوع من النايلون



هذا المنتج متوافق مع تشريعات المملكة المتحدة المعمول بها.



هذا المنتج متوافق مع توجيهات شهادة الجودة الأوروبية (CE) المعمول بها.



مستوى قوة الصوت المضمون. انبعاثات الضوضاء في البيئة وفقًا لتوجيه الاتحاد الأوروبي.



لا يجب التخلص من الأجهزة الكهربائية المستهلكة في النفايات المنزلية. توجه بالجهاز إلى مركز إعادة تدوير معتمد.



السرعة بدون حمل-سرعة الدوران، بدون حمل

$n_0$

الجهد الكهربائي

V

تيار مستمر



في الدقيقة .../min

الحماية من تناثر الماء

IPX4

كيلوغرام

kg

פתרון	סיבה	בעיה
<ul style="list-style-type: none"> <li>■ הפסיקו את פעולת הגוזם, הסירו את הסוללה ונקו את מוט המנוע ואת ראש הגוזם.</li> <li>■ הסירו את הסוללה, החליפו את חוט החיתוך; עקבו אחר ההוראות בחלק «החלפת קו החיתוך» הנמצא במדריך זה.</li> <li>■ הסירו את הסוללה ונקו את ראש הגוזם.</li> <li>■ הסירו את הסוללה, הסירו את חוט החיתוך מראש הגוזם ולפפו מחדש, עקבו אחר ההוראות בחלק «טעינה מחדש של חוט החיתוך» הנמצא במדריך זה.</li> <li>■ הסירו את הסוללה ומשכו את החוטים באופן ידני כאשר באופן חלופי אתם לוחצים כלפי מטה ומשחררים את ראש הגוזם.</li> </ul>	<ul style="list-style-type: none"> <li>■ וט המנוע או ראש הגוזם מלאים בדשא.</li> <li>■ אין מספיק חוט על גבי הסליל.</li> <li>■ ראש הגוזם מלוכלך.</li> <li>■ חוט הסתבך בסליל.</li> <li>■ חוט החיתוך קצר מדי.</li> </ul>	<p>ראש הגוזם איננו מקדם את החוט.</p>
<ul style="list-style-type: none"> <li>■ חתכו דשא גבוה מן החלק העליון כלפי מטה, כאשר אינכם מסירים יותר מ-20 ס"מ בכל מעבר על מנת למנוע ליפוף.</li> </ul>	<ul style="list-style-type: none"> <li>■ גיזום של דשא גבוה בגובה הקרקע.</li> </ul>	<p>הדשא מלופף סביב ראש הגוזם ותא המנוע.</p>
<ul style="list-style-type: none"> <li>■ חליפו את ראש הגוזם מיד בעזרת טכנאי המוסמך לכך.</li> </ul>	<ul style="list-style-type: none"> <li>■ ישנם סימני בלאי על ראש הגוזם.</li> </ul>	<p>סדקים על ראש הגוזם או על מכסה ההרכבה התחתון משתחררים ביחד מהמכסה העליון.</p>

## אחריות

### מדיניות האחריות של EGO

אנא בקרו באתר [egopowerplus.eu](http://egopowerplus.eu) עבור התנאים וההתניות השלמים של מדיניות האחריות של EGO.



## איתור וטיפול בבעיות

בעיה	סיבה	פתרון
לא ניתן להפעיל את גוזם החוט.	<ul style="list-style-type: none"> <li>מארז הסוללה איננו מחובר לגוזם.</li> <li>לא מתבצע חיבור חשמלי בין הגוזם לסוללה.</li> <li>קיבולת מארז הסוללה ריקה.</li> <li>כפתור הנעילה וההדק אינם לחוצים בו זמנית.</li> </ul>	<ul style="list-style-type: none"> <li>הצמידו את מארז הסוללה אל הגוזם.</li> <li>הסירו את הסוללה, בדקו את החיבורים והתקינו מחדש את מארז הסוללה.</li> <li>הטעינו את מארז הסוללה.</li> <li>לחצו על כפתור הנעילה כלפי מטה והחזיקו אותו, לאחר מכן שחררו את ההדק על מנת להפעיל את גוזם הדשא.</li> </ul>
וט הגוזם מפסיק את פעולתו בעת החיתוך.	<ul style="list-style-type: none"> <li>המגן איננו מורכב על גבי הגוזם, כאשר התוצאה היא חוט חיתוך ארוך מדי ועומס יתר על המנוע.</li> <li>נעשה שימוש בחוט חיתוך כבד מדי.</li> <li>מוט המנוע או ראש הגוזם מלאים בדשא.</li> <li>קיים עומס יתר על המנוע.</li> <li>מארז הסוללה או גוזם הדשא חמים מדי.</li> <li>מארז הסוללה מנותק מן המכשיר.</li> <li>קיבולת מארז הסוללה ריקה.</li> </ul>	<ul style="list-style-type: none"> <li>הסירו את מארז הסוללה והרכיבו את המגן על גבי גוזם הדשא.</li> <li>השתמשו בחוט חיתוך המומלץ מניילון עם היקף חוט אשר לא יעלה על 2.4 מ"מ.</li> <li>הפסיקו את פעולת הגוזם, הסירו את הסוללה והסירו את הדשא ממוט המנוע ומראש הגוזם.</li> <li>הסירו את ראש הגוזם מן הדשא. המנוע יחזור לפעילות רגילה ברגע בו העומס יוסר. בעת החיתוך, הזיזו את ראש הגוזם אל הדשא וממנו על מנת לחתוך והסירו לא יותר מ-20 ס"מ אורך בחיתוך יחיד.</li> <li>אפשרו למארז הסוללה או לגוזם להתקרר עד לטמפרטורה של פחות מ-67 °C.</li> <li>התקינו מחדש את מארז הסוללה.</li> <li>הטעינו את מארז הסוללה.</li> </ul>

## אחסון היחידה

- הסירו את מארז הסוללה מן הגוזם כאשר לא נעשה בו שימוש.
- נקו את היחידה ביסודיות לפני אחסונה.
- אחסנו את היחידה במקום יבש, מאוורר היטב, נעולה או במקום גבוה, הרחק מהישג ידם של ילדים. אל תאחסנו את היחידה קרוב לחומרי דשן, חומרי דלק או כימיקלים אחרים.
- עשו שימוש בנדן הלהב על להב 3 השיניים במהלך הובלה ואחסון.

## הגנה על הסביבה

אל תזרקו ציוד חשמלי, מטעני סוללות וסוללות ביחד עם אשפה ביתית! קחו מוצרים אלו למרכז מחזור מוסמך ו-וודאו שהם זמינים לאיסוף בנפרד. יש להחזיר כלים חשמליים אל מתקן מחזור המתאים לסביבה.



**הודעה:** חדדו מחדש את הלהב באופן סדיר (כאשר אפשר לראות שהוא קהה) ואזנו בעת הצורך (פעולה המתבצעת על ידי טכנאי שירות מוסמך).

## תחזוקה

**⚠ אזהרה:** במקרה של עבודות תיקון, השתמשו רק בחלקי חילוף זהים. בדקו ותחזקו את המכשיר באופן סדיר. על מנת להבטיח בטיחות ואמינות, יש לבצע את כל התיקונים וההחלפות בעזרת טכנאי שירות מוסמך.

**⚠ אזהרה:** על מנת למנוע פציעות אישיות חמורות, הסירו את מארז הסוללה מן הכלי לפני ביצוע כל עבודות שירות, ניקיון, החלפת צרופות או תוספות, או הסרה של חומרים מן היחידה.

**⚠ זהירות:** מחסומים בפתחי האוורור ימנעו מן האוויר לזרום אל תוך המנוע והתוצאה תהיה חימום יתר או נזקים למנוע.

## ניקיון היחידה

- נקו את היחידה בעזרת מטלית לחה עם סבון עדין. לעולם אל תרשו לנוזלים להיכנס אל תוך הכלי; לעולם אל תטבילו כל חלק של המכשיר בתוך נוזלים.
- אל תעשו שימוש בחומרי ניקוי חזקים על תא הפלסטיק או על גבי הידית. עלול להיגרם להם נזק על ידי שמנים ארומטיים למיניהם, כגון אורן ולימון, ועל ידי ממסים כגון נפט. לחות עלולה גם לגרום לסכנת שוק חשמלי. נקו כל לחות בעזרת מטלית רכה ויבשה.
- עשו שימוש במברשת קטנה או במברשת עם זרם האוויר של שואב אבק קטן על מנת לנקות את פתחי האוויר על התא האחורי.
- שימרו על פתחי האוורור בתא המנוע נקיים מפני חלקי אשפה.

## שימון הילוכי התמסורת

יש לשמן את הילוכי התמסורת בתיבת הילוכים באופן קבוע עם שמן גיר. בדקו את מפלס שמן הגיר מידי 50 שעות של הפעלה על ידי הסרת בורג האיטום שבצד התיבה.

אם לא ניתן לראות שמן על צדי הילוכים, בצעו את השלבים הבאים כדי למלא את שמן הגיר עד 3/4 מהקיבולת. אין למלא את הילוכי התמסורת במלואם.

1. החזיקו את גזם החוט על צידו כך שבורג האיטום פונה כלפי מעלה (איור W).
2. השתמשו במפתח הברגים הרב שימושי המצויד כדי לשחרר ולהוציא את בורג האיטום.
3. השתמשו במזרק שמן (לא מצורף) כדי להזריק חלק מהשמן לחור הבורג, אל תמלאו יותר מ-3/4 מהקיבולת.
4. הדקו את בורג האיטום לאחר ההזרקה.

**⚠ אזהרה:** לעולם אל תשתמשו בחוט המחוזק במתכת, תיל או חבל וכד'. דברים אלו עלולים להתנתק מן הגזם ולהוות סכנה.

1. הסירו את מארז הסוללה.
2. הסירו את חוט החיתוך הנוטר, אם יש צורך בכך.
3. חתכו 4 מ' של חוט חיתוך והכניסו את החוט אל חור ההרכבה בתוך העינית (איור R). דחפו ומשכו את החוט מן הצד השני עד אשר אורכים דומים של חוט נמצאים משני צדדי הסליל.
4. לחצו, בעוד אתם מסובבים את מכסה ההרכבה התחתון בכיוון החץ, על מנת ללפף את החוט מסביב לסליל עד אשר בערך 14 ס"מ של חוט נשאר בכל צד (תמונה S).
5. לחצו על מכסה ההרכבה התחתון כלפי מטה בעוד אתם מושכים את החוטים באופן ידני על מנת לקדם את החוט ולבדוק אם ראש הגזם הורכב באופן נכון.

כאשר חוט החיתוך יוצא מציאת החוט או כאשר חוט החיתוך אינו משתחרר בלחיצה על ראש הגזם, עקבו אחר הצעדים הבאים:

1. לחצו על לשוניות השחרור על המכסה העליון והסירו את מכסה ההרכבה התחתון על ידי משיכתו החוצה בקו ישר (איור T-U).
2. הסירו את חוט החיתוך מן הסליל.
3. עם יד אחת המחזיקה את מכלול המכסה התחתון, השתמשו ביד השנייה כדי לאחוז במכלול המכסה התחתון ויישרו את הלשוניות על המכסה העליון אל החורים במכלול ההרכבה התחתון (איור V); השתמשו בכף היד שלכם על מנת ללחוץ על מכלול המכסה התחתון עד אשר הלשוניות ננעלות עם המכסה העליון.
4. עקבו אחר הוראות בחלק «החלפת חוט החיתוך» על מנת להטעין מחדש את חוט החיתוך.

## להב מתכת חלופי בעל 3 שיניים

**הודעה:** על מנת למנוע פציעה, עליכם ללבוש כפפות לפני כל פעולה אותה אתם מבצעים על הלהב בעל 3 השיניים.

1. הסירו את מכלול המכסה התחתון כמוצג באיור U-T.
2. הכניסו את המייצב ואז השתמשו במפתח אימפקט שקע כדי לשחרר את האו כמובא באיור X1 ו-X2.
3. הסירו את כל החלקים מלבד הגליל הפנימי והאום (איור X3), הרכיבו את הלהב על מוט המנוע כמוצג באיור X4.
4. הדקו את הלהב כמוצג באיור X5.

**⚠ אזהרה:** בעת חיתוך של צמחייה צעירה או חומרים מעץ בקוטר של פחות מ-2 ס"מ, עשו שימוש בחלק השמאלי של הלהב על מנת למנוע מצבים של נגיפת להב. אל תנסו לחתוך חומרים מעץ עם קוטר גדול יותר, הלהב עלול להיפתס או לטלטל את גזם המברשת קדימה. הדבר עלול לגרום נזק ללהב או לגזם המברשת או לאבדן שליטה על גזם המברשת, ולגרום לפציעה אישית.

כפתור נעילה	M-2
הדק	M-3

## השימוש בגוזם החוט

נקו את האזור שיש לגזום לפני כל שימוש. הסירו עצמים כגון סלעים, שברי זכוכית, מסמרים, חוטים או כבלים העלולים להזיק או להיתפס באבזר החיתוך. וודאו שאין ילדים, עוברי אורח ובעלי חיים באזור. כמינימום, שימרו על כל הילדים, עוברי האורח ובעלי החיים במרחק של לפחות 15 מ'; עדיין יכול להיות סיכון לעוברי אורח מעצמים נזרקים. יש לעודד עוברי אורח לחבוש אמצעי הגנה על העיניים. אם אתם רואים מישהו מתקרב, עצרו את המנוע ואת אבזר החיתוך מיד.

## לפני כל שימוש, בדקו לאיתור חלקים בלויים/ פגומים

בדקו את ראש הבליטה, את המגן ואת ידיית העזר הקדמית והחליפו את החלקים הסדוקים, המלופפים, המעוקלים או הפגומים בכל צורה שהיא. להב חוט החיתוך בקצה המגן הופך להיות קהה עם הזמן. מומלץ להשיחיו באופן קבוע בעזרת פצירה או להחליפו בלהב חדש.

**⚠ אזהרה:** חבשו תמיד כפפות בעת הרכבת המגן או ביצוע השחזת הלהב או החלפתו. שימו לב למיקום הלהב על המגן והגנו על ידיכם מפני פציעה.

## בדקו אם יש חסימה של ראש הגוזם

- כדי למנוע חסימה, שמרו על ראש הגוזם נקי. הסירו גזרי דשא, עלים, לכלוך וכל פסולת אחרת שהצטברה לפני ואחרי כל שימוש.
- כאשר החסימה מתרחשת, עצרו את גוזם הקו והסירו את הסוללה, ולאחר מכן הסירו את כל הדשא שאולי עטף את עצמו סביב מוט המנוע או ראש הגוזם.

## לאחר כל שימוש, נקו את הגוזם.

## כווננו אורך חוט החיתוך

ראש הגוזם מאפשר למפעיל לשחרר יותר חוט חיתוך ללא עצירת המנוע. כאשר חוט החיתוך הופך להיות משופשף או מראה סימני בלאי, ניתן לשחרר חוט חיתוך נוסף על ידי לחיצה קלה של ראש הגוזם על הקרקע בעת הפעלת הגוזם (איור Q).

**הודעה:** שחרור החוט יהפוך להיות קשה יותר ככל שחוט החיתוך יהפוך להיות קצר יותר.

**⚠ אזהרה:** לעולם אל תסירו או תשנו את מערך להב חוט החיתוך. חוט חיתוך ארוך מדי יגרום לחימום יתר של המנוע והדבר עלול לגרום לפציעה אישית חמורה.

## החלפת חוט החיתוך

**הודעה:** השתמשו בחוט החיתוך המתאים מניילון עם היקף אשר לא יעלה על 2.4 מ"מ. שימוש בחוט חיתוך אחר מאשר חוט החיתוך המצוין עלול לגרום לחימום יתר של גוזם החוט או לנזקים נוספים.

**הודעה:** יש להשתמש במכשיר רק עבור המטרות להן הוא יועד. כל שימוש אחר, לדוגמה גזום קצוות, ייחשב לשימוש בלתי הולם.

## הצמדה/הסרה של מארז הסוללה

השתמשו רק עם מארזי הסוללה והמטענים הרשומים באיור A2

## הטעינו לפני השימוש הראשון

### על מנת להצמיד

יישרו את עורקי הסוללה עם חריצי ההרכבה ולחצו את מארז הסוללה כלפי מטה עד אשר יישמע „קליק” (איור K).

### על מנת להסיר

לחצו על כפתור שחרור הסוללה ומשכו את מארז הסוללה החוצה כפי שניתן לראות באיור L.

L-1	כפתור שחרור הסוללה
-----	--------------------

## החזקת גוזם החוט

עבור הפעלה טובה ובטוחה יותר, העבירו את רצועת הכתף מעל לכתף בהתאם לתמונה N. כווננו את הרצועה לעמדת הפעלה נוחה. החזיקו את חוט הגוזם עם שתי הידיים: יד אחת על הידיית האחורית והיד השנייה על ידיית העזר הקדמית.

**הודעה:** ראש הגוזם מקביל לקרקע במרחק חיתוך מתאים מבלי שהמפעיל יתכופף (איור N). יישן שתי דרכים לשחרר את הרצועה. הסירו אותה מן הכתף באופן ישיר (איור O) או לחצו על ׀ הרצועה והסירו אותה ממתלה ההרכבה של רצועת הכתף המחובר לקת (איור P).

**⚠ אזהרה:** רצועת הכתף מהווה גם מנגנון שחרור מהיר במצב מסוכן. במצב חירום, הסירו אותה מיד מהכתף, ללא קשר לדרך בה היא חוברת. **הפעלה/כיבוי של גוזם החוט (איור M)**

## הפעלה

לחצו על דוושט הנעילה כלפי מטה ושחררו את ההדק. תוצאה של לחץ שונה על ההדק תהיה מהירויות סיבוב שונות של חוט החיתוך. ככל שהלחץ יהיה גבוה יותר, המהירות תהיה גבוהה יותר.

## ליכוי

שחררו את ההדק.

**הודעה:** המנוע פועל רק כאשר כפתור הנעילה וההדק לחוצים שניהם.

## פונקציית כווננו מהירות (איור M)

לגוזם החוט יש שתי מהירויות. מצב „1” הוא למהירות נמוכה ומצב „2” למהירות גבוהה.

M-1	מתג מהירות-מהיר/איטי
-----	----------------------

ידית עזר קדמית	D-1	בריח מחסום בטיחות (עבור מברשת בלבד)	D-4
בלוק הידוק	D-2	מוט נעילה	D-5
אום פרפר	D-3		

2. דחפו את הידית הקדמית אל המוט בחלק הקדמי של טבעת הסף. לעולם אל תניחו אותה בין טבעת הסף ואזור הידית האחורית (איור E).
3. הכניסו את בלוק ההידוק אל חריץ הידית (איור F).
4. הרכיבו את מוט הנעילה, והדקו אותם קלות עם בורג הפרפר. וודאו שידית העזר הקדמית פונה כלפי מעלה ומצביעה לכיוון החלק העליון של הידית האחורית (איור G).
5. כווננו את ידיית העזר הקדמית בין טבעת הסף והתווית על מנת להבטיח שהידית הקדמית שלכם ישרה בעת ההפעלה (איור H).
6. נעלו את הידית של מוט הנעילה. (איור I).

**⚠ אזהרה:** לא ניתן יהיה להשתמש בכלי ללא ידיית העזר הקדמית קבועה במקומה בבטחה.

### הרכבת רצועת הכתף

לתפעול בטוח וטוב יותר, הניחו את הרצועה מעל אחת הכתפיים ולרוחב הגב.

1. לחצו על וו הרצועה כדי לפתוח אותה וחברו אותו על מתלה הרכבת רצועת הכתף (איור J).
2. כווננו את אורך רצועת הכתף ואת מיקומה לתנוחת הפעלה נוחה – החזיקו את החרמש בשתי ידיים: יד אחת על הידית האחורית והיד השנייה על הידית הקדמית.

**⚠ אזהרה:** רצועת הכתף מהווה גם מנגנון שחרור מהיר במצב מסוכן. במצב חירום, הסירו אותה מיד מהכתף, ללא קשר לדרך בה היא חוברת.

נא לא להשתמש ברצועת כתף אחת וברצועת כתף כפולה בעת ובעונה אחת.

בעת השימוש ברצועה, שום פריט לבוש אחר לא צריך להפריע לשחרור וההסרה של הרצועה.

### הפעלה

**⚠ אזהרה:** חבשו תמיד משקפת מגן או משקפי מגן עם הגנה צדדית ביחד עם הגנה לאוזניים. אם לא תעשו זאת עצמים עלולים להיזרק אל תוך העיניים שלכם ועלולים להיגרם פציעות חמורות אחרות.

אתם יכולים להשתמש במוצר רק עבור המטרות להלן:

**גיזום:** בשימוש להסרת דשא ועשבים כנגד קירות, גדרות, עצים ושוליים.

**חיתוך:** בשימוש לחיתוך דשא אשר קשה להגיע אליו עם מכסחות דשא רגילות.

## הרכבה

**⚠ אזהרה:** אם ישנם חלקים ניזוקים או חסרים, אל תפעילו את המכשיר עד אשר חלקים אלו יוחלפו. שימוש במכשיר זה עם חלקים פגומים או חסרים עלול לגרום לפגיעה אישית חמורה.

**⚠ אזהרה:** אל תנסו לשנות את המוצר או ליצור אביזרים אשר אינם מומלצים לשימוש ביחד עם הגוזם. כל שינוי או הוספה מהוים שימוש לא נכון במכשיר ועלול ליצור תנאים מסוכנים שעלולים להוביל לפגיעה אישית.

**⚠ אזהרה:** על מנת לנועו הפעלה מקרית אשר עלולה להוביל לפגיעה אישית חמורה, הסירו תמיד את מארז הסוללה מן המכשיר בעת הרכבת חלקים.

**⚠ אזהרה:** כאשר המכשיר מצויד בראש חותך מברשת, יש להרכיב את בריח מחסום הבטיחות.

### הרכבת המגן

**⚠ אזהרה:** חבשו תמיד כפפות בעת הרכבת או החלפת המגן. היו זהירים עם הלהב שעל גבי המגן והגנו על הידיים שלכם מפני חיתוך.

**⚠ אזהרה:** לעולם אין להפעיל את המכשיר כאשר המגן איננו נמצא במקומו. על המגן להיות תמיד על גבי המכשיר על מנת להגן על המשתמש! כאשר המגן נמצא במקומו, לעולם אין לנסות להסיר או לכוונן את המגן. אם יש צורך להחליף את המגן, על הדבר להיעשות על ידי טכנאי שירות מוסמך!

1. שחררו והסירו את שני הברגים מהמגן (איור B).

2. יישרו את חורי ההרכבה של המגן עם חורי ההרכבה ולאחר מכן נעלו את המגן אל בסיס המוט בעזרת שני הברגים, ביחד עם שתי דסקיות הקפיצים (איור C).

**הודעה:** וודאו שהמגן נעול במקומו בהתאם לתמונות B ו-C, כל נעילה הפוכה תגרום לסכנה גדולה!

### הרכבה וכוונן של ידיית העזר הקדמית

1. שחררו את מוט הנעילה בידיית העזר הקדמית והסירו את מוט הנעילה ואת אום הפרפר מידית העזר הקדמית (איור D).

**הודעה:** התקינו את חיבור בריח מחסום הבטיחות אל ידיית הלולאה בעזרת שני הברגים כאשר המכשיר מצויד בראש גוזם מברשת.

**הודעה:** קיימים שני סוגים של מוטות נעילה, הקצר יותר מיועד לשימוש עם ראש הגוזם. הארוך יותר מיועד לשימוש עם ראש גוזם המברשת. היו זהירים בבחירת מוט הנעילה המתאים בעת השימוש במכשיר.

## תיאור

הכירו את גוזם החוט שלכם (תמונה A1)

1. טבעת סף
2. הדק
3. ידית אחורית
4. פתח כניסת אוויר
5. כפתור נעילה
6. מתג מהירות-מהיר/איטי
7. מתלה הרכבת רצועת הכתף
8. ידית עזר קדמית ניתנת לכוונון
9. רצועת כתף
10. מפתח ברגים רב שימושי
11. מפתח משושה
12. ראש גוזם (ראש בליטה)
13. חוט חיתוך
14. לשונית שחרור
15. להב לחיתוך חוט
16. מגן
17. מנגנון פליטה
18. חיבורים חשמליים
19. בריח
20. לוחית מגן מגומי
21. כפתור שחרור סוללה
22. בריח מחסום בטיחות (עבור ראש גוזם מברשת בלבד)
23. מוט נעילה עבור בריח מחסום הבטיחות (עבור ראש גוזם מברשת בלבד)
24. גליל חיצוני (עבור ראש גוזם מברשת בלבד)
25. אום (עבור ראש גוזם מברשת בלבד)
26. ברגים (עבור ראש גוזם מברשת בלבד)

## רשימת אריזה

שם חלק	כמות
גוזם חוט	1
מגן	1
הרכבת ידית עזר קדמית	1
מפתח משושה	1
מפתח ברגים רב שימושי	1
רצועת כתף	1
מדריך למפעיל	1
מוט נעילה	1
גליל חיצוני	1
אום	1
ברג	2

ראש הגוזם		הב בעל 3 שניים	וולטז'
56 V ---		56 V ---	
0°C-40°C		טמפרטורת הפעלה מומלצת:	
-20°C-70°C		טמפרטורת אחסון מומלצת:	
5°C-40°C		טמפרטורת טעינה אופטימלית	
6000/5000 דקות <sup>1</sup>	6000/5000 דקות <sup>1</sup>	מהירות ללא עומס	
/	2.4 מ"מ	סוג חוט חיתוך	
ABB1203	/	להב חיתוך	
30 ס"מ	38 ס"מ	רוחב חיתוך	
4.45 kg	4.21 kg	משקל (ללא מארז סוללה)	
96.5 dB(A) K=1.88 dB(A)	94.6 dB(A) K=1.8 dB(A)	רמת עוצמת קול נמדדת L <sub>WA</sub>	
76.5 dB(A) K=3 dB(A)	81.7 dB(A) K=2.5 dB(A)	רמת לחץ קול באוזן המפעיל L <sub>PA</sub>	
98 dB(A)	96 dB(A)	רמת עוצמת קול מובטחת L <sub>WA</sub> (נמדדת על פ 2000/14/EC)	
2.8 מ' / שנייה <sup>2</sup> 1.5=K שנייה <sup>2</sup>	3.2 מ' / שנייה <sup>2</sup> 1.5=K שנייה <sup>2</sup>	ידית עזר קדמית	רטט a <sub>h</sub> דית אחורית
3.1 מ' / שנייה <sup>2</sup> 1.5=K שנייה <sup>2</sup>	2.3 מ' / שנייה <sup>2</sup> 1.5=K שנייה <sup>2</sup>	ידית אחורית	

- ערך הרטט הכללי המוצהר נמדד בהתאם לשיטת בדיקה סטנדרטית וניתן להשתמש בו על מנת להשוות ציוד אחד עם ציוד אחר;
- ניתן להשתמש בערך הרטט הכללי המוצהר בהערכה ראשונית של חשיפה.

**הודעה:** פליטת הרטט בעת השימוש המעשי בכלי יכולה להיות שונה מן הערך המוצהר כאשר הכלי נמצא בשימוש; על מנת להגן על המפעיל, על המשתמש ללבוש כפפות ומגני אוזניים בעת השימוש למעשה.

## קראו את כל ההוראות!

## סימני בטיחות



קראו את מדריך ההוראות

**⚠ אזהרה:** הפעלה של כלי עבודה חשמליים עלולה לגרום לעצמים זרים להיזרק אל תוך העיניים, דבר העלול לגרום לנזק חמור לעיניים. לפני ההפעלה של כלי עבודה חשמלי, ענדו תמיד משקפי מגן או משקפי בטיחות עם הגנה צדדית, ובעת הצורך, הגנה עבור כל הפנים. אנו ממליצים על שימוש במסכת בטיחות רחבה מעל למשקפי המגן או על שימוש במשקפי בטיחות עם הגנה צדדית. התראת בטיחות

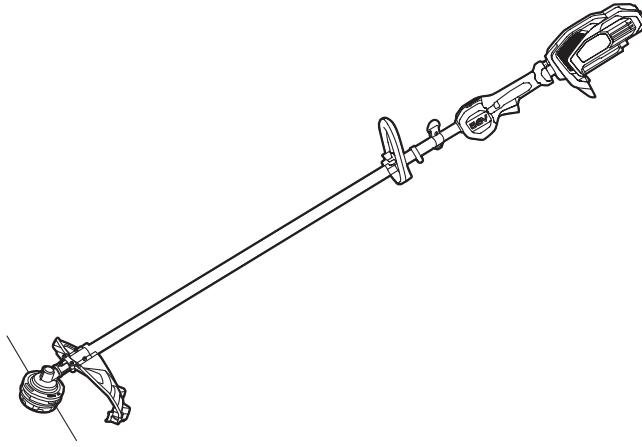
על מנת להפחית את הסיכון לפציעות, על המשתמש לקרוא את המדריך למשתמש.		התראת בטיחות	
לבשו נעליים בטוחות-נעלו נעליים בטוחות שאינן מחליקות בעת השימוש בציוד.		לבשו מגני עיניים-חבשו תמיד משקפי מגן או משקפי בטיחות עם הגנה צדדית, ובעת הצורך, הגנה עבור כל הפנים, בעת הפעלת מוצר זה.	
לבשו כפפות מגן-הגנו על ידיכם עם כפפות בעת הטיפול בלהב או במגן הלהב.		לבשו מגני אוזניים-השתמשו תמיד במגני אוזניים בעת הפעלת מוצר זה.	
היו זהירים מנעיצת הלהב-הזהירו את המפעיל מפני סכנה של נעיצת הלהב.		לבשו מגני ראש-חבשו קסדת בטיחות מאושרת על מנת להגן על ראשכם.	
קוטר-קוטר חוט החיתוך מניילון		ין להתקין להבי חיתוך עגולים.	
עצמים עלולים להיזרק ולגרום לפציעה אישית או לנזק לרכוש. וודאו שאנשים אחרים וחיות מחמד נמצאים רחוק ממסכת הדשא בעת השימוש בה.		רוחב-רוחב החיתוך המקסימלי של חוט הגזם	
מוצר זה הוא בהתאם לחוקים הרלוונטיים בבריטניה.		וודאו שאנשים אחרים וחיות מחמד נמצאים במרחק של לפחות 15 מ' מגוזם החוט בעת השימוש בו.	
אין לזרוק מוצרים חשמליים כחלק מאשפה ביתית. הביאו את המכשיר למרכז מיחזור מוסמך.		מוצר זה תואם לתקנות CE-הירלוונטיות.	
מתח	V	רמת עוצמת קול מובטחת. פליטת רעש אל הסביבה בהתאם לתקנת האיחוד האירופי.	
לדקה	.../min	מהירות ללא עומס-מהירות סיבובית, ללא עומס	$n_0$
הגנה מפני התזת מים	IPX4	זרם ישיר	
		קילוגרם	kg

HE

255

# EGO™

POWER<sup>+</sup> LINE TRIMMER



**ST1530E**

גוזם דשא אלחוטי ליתיום-יון 56 וולט

HE

جزارة الخيط اللاسلكية العاملة ببطارية ليثيوم-أيون 56 فولت

AR

