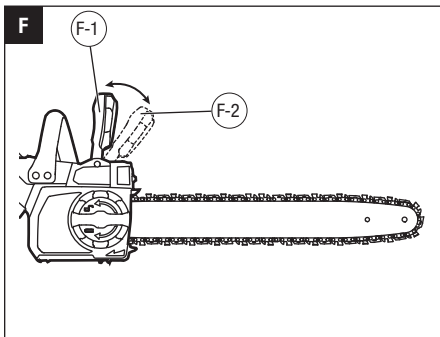
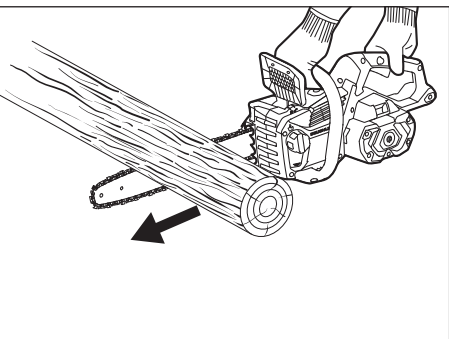
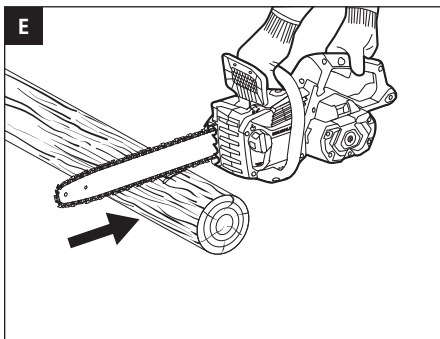
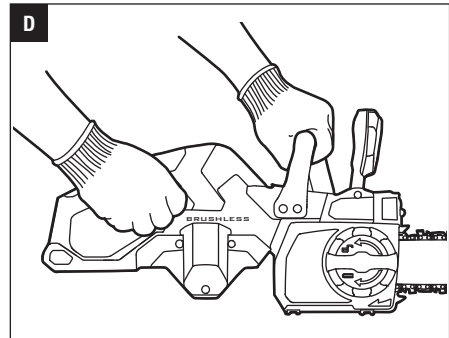
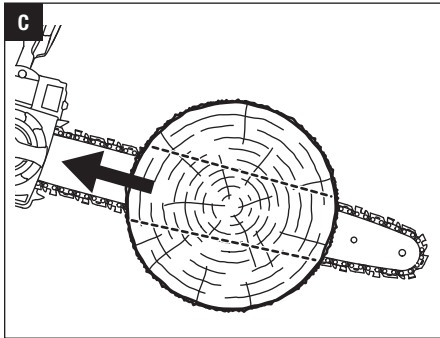
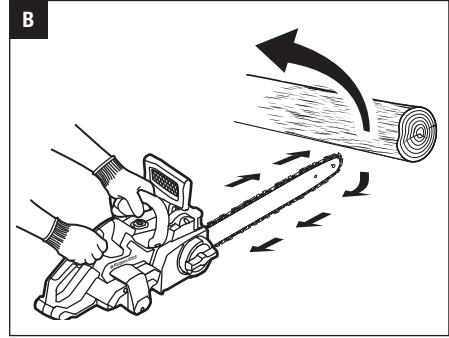
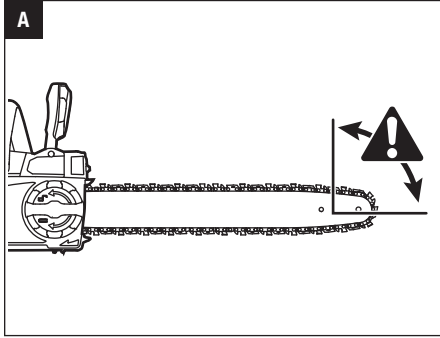


EGO™

POWER⁺ CHAIN SAW



EN	Cordless chain saw	3	RO	Ferăstrău cu lanț și cu acumulator	76
DE	Akku-kettensäge	7	SL	Brezzična verižna žaga	80
FR	Tronçonneuse sans fil	12	LT	Belaidis grandininis pjūklas	84
ES	Motosierra inalámbrica	17	LV	Bezvadu ķēdes zāģis	88
PT	Motosserra sem fios	22	GR	Ασυρματο αλυσσπριοιο	93
IT	Motosega cordless	27	TR	Blosuz elektrikli testere	98
NL	Accu kettingzaag	32	ET	Juhtmeta kettsaag	102
DK	Ledningsfri motorsav	37	UK	Акумуляторна ланцюгова пила	106
SE	Sladdlös kedjesåg	41	BG	Безкабелен верижен трион	111
FI	Akkukäyttöinen moottorisaha	45	HR	Baterijska lančana pila	116
NO	Trådløs motorsag	49	KA	უკაბელო ჯგერბო ხეჩო	120
RU	Беспроводная цепная пила	53	SR	Bežična motorna testera	126
PL	Bezprzewodowa pilarka łańcuchowa	58	BS	Akumulatorska motorna žaga	130
CZ	Akumulátorová řetězová pila	63	HE	מסור חשמלי אלחוטי	134
SK	Akumulátorová reťazová pila	67	AR	منشار سلسلي لاسلكي	138
HU	Vezeték nélküli láncfűrész	72			



GENERAL POWER TOOL SAFETY WARNINGS

⚠ WARNING: Read all safety warnings, instructions, illustrations and specifications provided with this power tool. Failure to follow all instructions listed below may result in electric shock, fire and/or serious injury

SAVE ALL WARNINGS AND INSTRUCTIONS FOR FUTURE REFERENCE.

The term "power tool" in the warnings refers to your mains-operated (corded) power tool or battery-operated (cordless) power tool.

WORK AREA SAFETY

- **Keep work area clean and well lit.** Cluttered or dark areas invite accidents.
- **Do not operate power tools in explosive atmospheres, such as in the presence of flammable liquids, gases or dust.** Power tools create sparks which may ignite the dust or fumes.
- **Keep children and bystanders away while operating a power tool.** Distractions can cause you to lose control.

ELECTRICAL SAFETY

- **Power tool plugs must match the outlet. Never modify the plug in any way. Do not use any adaptor plugs with earthed (grounded) power tools.** Unmodified plugs and matching outlets will reduce risk of electric shock
- **Avoid body contact with earthed or grounded surfaces, such as pipes, radiators, ranges and refrigerators.** There is an increased risk of electric shock if your body is earthed or grounded.
- **Do not expose power tools to rain or wet conditions.** Water entering a power tool will increase the risk of electric shock.
- **Do not abuse the cord. Never use the cord for carrying, pulling or unplugging the power tool. Keep cord away from heat, oil, sharp edges or moving parts.** Damaged or entangled cords increase the risk of electric shock.
- **When operating a power tool outdoors, use an extension cord suitable for outdoor use.** Use of a cord suitable for outdoor use reduces the risk of electric shock.
- **If operating a power tool in a damp location is unavoidable, use a Ground-fault circuit interrupter protected supply.** Use of GFCI reduces the risk of electric shock.

PERSONAL SAFETY

- **Stay alert, watch what you are doing and use common sense when operating a power tool. Do not use a power tool while you are tired or under the influence of drugs, alcohol medication.** A moment of inattention while operating power tools may result in serious personal injury.
- **Use personal protective equipment. Always wear eye protection.** Protective equipment such as a dust mask, non-skid safety shoes, hard hat or hearing protection used for appropriate conditions will reduce personal injuries.
- **Prevent unintentional starting. Ensure the switch is in the off-position before connecting to power source and/or battery pack, picking up or carrying the tool.** Carrying power tools with your finger on the switch or energizing power tools that have the switch on invites accidents.
- **Remove any adjusting key or wrench before turning the power tool on.** A wrench or a key left attached to a rotating part of the power tool may result in personal injury.
- **Do not overreach. Keep proper footing and balance at all times.** This enables better control of the power tool in unexpected situations.
- **Dress properly. Do not wear loose clothing or jewellery. Keep your hair, clothing and gloves away from moving parts.** Loose clothes, jewelry or long hair can be caught in moving parts.
- **If devices are provided for the connection of dust extraction and collection facilities, ensure these are connected and properly used.** Use of dust devices can reduce dust-related hazards.
- **Do not let familiarity gained from frequent use of tools allow you to become complacent and ignore tool safety principles.** A careless action can cause severe injury within a fraction of a second

POWER TOOL USE AND CARE

- **Do not force the power tool. Use the correct power tool for your application.** The correct power tool will do the job better and safer at the rate for which it was designed.
- **Do not use the power tool if the switch does not turn it on and off.** Any power tool that cannot be controlled with the switch is dangerous and must be repaired.
- **Disconnect the plug from the power source and/or the battery pack from the power tool before making any adjustments, changing accessories, or storing power tools.** Such preventive safety measures reduce the risk of starting the power tool accidentally.

- **Store idle power tools out of the reach of children and do not allow persons unfamiliar with the power tool or these instructions to operate the power tool.** Power tools are dangerous in the hands of untrained users.
- **Maintain power tools and accessories. Check for misalignment or binding of moving parts, breakage of parts and any other condition that may affect the power tool's operation. If damaged, have the power tool repaired before use.** Many accidents are caused by poorly maintained power tools.
- **Keep cutting tools sharp and clean.** Properly maintained cutting tools with sharp cutting edges are less likely to bind and are easier to control.
- **Use the power tool, accessories and tool bits etc. in accordance with these instructions, taking into account the working conditions and the work to be performed.** Use of the power tool for operations different from those intended could result in a hazardous situation.
- **Keep handles and grasping surfaces dry, clean and free from oil and grease.** Slippery handles and grasping surfaces may lead to unsafe handling and/or loss of control of the tool.

BATTERY TOOL USE AND CARE

- **Recharge only with the charger specified by the manufacturer.** A charger that is suitable for one type of battery pack may create a risk of fire when used with another battery pack.
- **Use power tools only with specifically designated battery packs.** Use of any other battery packs may create a risk of injury and fire.
- **When battery pack is not in use, keep it away from other metal objects, like paper clips, coins, keys, nails, screws or other small metal objects, that can make a connection from one terminal to another.** Shorting the battery terminals together may cause burns or a fire.
- **Under abusive conditions, liquid may be ejected from the battery; avoid contact. If contact accidentally occurs, flush with water. If liquid contacts eyes, additionally seek medical help.** Liquid ejected from the battery may cause irritation or burns.
- **Do not use a battery pack or tool that is damaged or modified.** Damaged or modified batteries may exhibit unpredictable behavior resulting in fire, explosion or risk of injury.
- **Do not expose a battery pack or tool to fire or excessive temperature.** Exposure to fire or temperature above 130°C may cause explosion.

- **Follow all charging instructions and do not charge the battery pack or tool outside the temperature range specified in the instructions.** Charging improperly or at temperatures outside the specified range may damage the battery and increase the risk of fire.

SERVICE

- **Have your power tool serviced by a qualified repair person using only identical replacement parts.** This will ensure that the safety of the power tool is maintained.
- **Never service damaged battery packs.** Service of battery packs should only be performed by the manufacturer or authorized service providers.

CHAIN SAW SAFETY WARNINGS

- **Keep all parts of the body away from the saw chain when the chain saw is operating. Before you start the chain saw, make sure the saw chain is not contacting anything.** A moment of inattention while operating chain saws may cause entanglement of your clothing or body with the chain.
- **Always hold the chain saw with your right hand on the rear handle and your left hand on the front handle.** Holding the chain saw with a reversed hand configuration increases the risk of personal injury and should never be done.
- **Hold the chain saw by insulated gripping surfaces only, because the saw chain may contact hidden wiring.** Saw chains contacting a "live" wire may make exposed metal parts of the power tool "live" and could give the operator an electric shock.
- **Wear eye protection. Further protective equipment for hearing, head, hands, legs and feet is recommended.** Adequate protective clothing will reduce personal injury by flying debris or accidental contact with the saw chain.
- **Do not operate a chain saw in a tree, on a ladder, from a rooftop, or any unstable support.** Operation of a chain saw in this manner could result in serious personal injury.
- **Always keep proper footing and operate the chain saw only when standing on fixed, secure and level surface.** Slippery or unstable surfaces such as ladders may cause a loss of balance or control of the chain saw.
- **When cutting a limb that is under tension be alert for spring back.** When the tension in the wood fibers is released the spring loaded limb may strike the operator and/or throw the chain saw out of control.

- **Use extreme caution when cutting brush and saplings.** The slender material may catch the saw chain and be whipped toward you or pull you off balance.
- **Carry the chain saw by the front handle with the chain saw switched off and away from your body. When transporting or storing the chain saw always fit the guide bar cover.** Proper handling of the chain saw will reduce the likelihood of accidental contact with the moving saw chain.
- **Follow instructions for lubricating, chain tensioning and changing accessories.** Improperly tensioned or lubricated chain may either break or increase the chance for kickback.
- **Keep handles dry, clean, and free from oil and grease.** Greasy, oily handles are slippery causing loss of control.
- **Cut wood only. Do not use chain saw for purposes not intended. For example: do not use chain saw for cutting plastic, masonry or non-wood building materials.** Use of the chain saw for operations different than intended could result in a hazardous situation.
- **Do not attempt to fell a tree until you have an understanding of the risks and how to avoid them.** Serious injury could occur to the operator or bystanders while felling a tree.
- **Do not overreach and do not cut above shoulder height.** This helps prevent unintended tip contact and enables better control of the chain saw in unexpected situations.
- **Only use replacement bars and chains specified by the manufacturer.** Incorrect replacement bars and chains may cause chain breakage and/or kickback.
- **Follow the manufacturer's sharpening and maintenance instructions for the saw chain.** Decreasing the depth gauge height can lead to increased kickback.
- **Make sure that the area in which you are cutting is free from obstructions.** Do not let the nose of the guide bar contact a log, branch, fence, or any other obstruction that could be hit while you are operating the saw.
- **Always cut with the unit running at full speed.** Fully squeeze the switch trigger and maintain cutting speed.
- **With a basic understanding of kickback, you can reduce or eliminate the element of surprise.** Sudden surprise contributes to accidents.
- **Keep proper footing and balance at all times.**
- **Push and Pull** – The reaction force is always opposite to the direction the chain is moving where wood contact is made. Thus, the operator must be ready to control the PULL when cutting on the bottom edge of the bar, and the PUSH when cutting along the top edge (Fig. E).

CAUSES AND OPERATOR PREVENTION OF KICKBACK

Kickback may occur when the nose or tip of the guide bar touches an object, or when the wood closes in and pinches the saw chain in the cut (Fig. A).

Tip contact in some cases may cause a sudden reverse reaction, kicking the guide bar up and back towards the operator (Fig. B).

Pinching the saw chain along the top of the guide bar may push the guide bar rapidly back towards the operator (Fig. C).

Either of these reactions may cause you to lose control of the saw which could result in serious personal injury. Do not rely exclusively upon the safety devices built into your saw.

As a chain saw user, you should take several steps to keep your cutting jobs free from accident or injury.

Kickback is the result of tool misuse and/or incorrect operating procedures or conditions and can be avoided by taking proper precautions as given below:

- **Maintain a firm grip, with thumbs and fingers encircling the chain saw handles, with both hands on the saw and position your body and arm to allow you to resist kickback forces (Fig. D).** Kickback forces can be controlled by the operator, if proper precautions are taken. Do not let go of the chain saw.

KICKBACK SAFETY DEVICES ON THIS CHAIN SAW CHAIN BRAKE

The chain saw comes equipped with a chain brake, which stops both the motor and the motion of the chain when kickback occurs. The chain brake can be activated by the forward motion of the chain kickback brake handle as the saw rotates backward during kickback; it can also be activated by the inertial forces generated during rapid pushback.

⚠ WARNING: Never modify or attempt to disable the chain brake.

Make sure that the chain brake is working properly before using the chain saw. The chain kickback brake handle should move back and forth easily.

- To test the operation of the chain brake, perform the following steps (Fig. F):
- Place the chain saw on a flat bare surface and make sure no objects or obstructions that could come in contact with the bar and chain are in the immediate vicinity.

- Disengage the chain brake by pulling the chain kickback brake handle towards the front handle.
- Start the chain saw.
- Push the chain kickback brake handle towards the front of the saw. A properly functioning hand brake will stop the movement of the chain immediately. If the chain brake is not working properly, do not use the chain saw until it has been repaired by a qualified service technician.

F-1	Chain kickback brake handle in operating position
F-2	Chain kickback brake handle in brake position

⚠ WARNING: Confirm that the chain brake works properly before each use.

⚠ WARNING: If the chain brake is clogged with wood chips, the function of the chain brake may deteriorate. Always keep the device clean.

LOW KICKBACK SAW CHAIN

The rakers (depth gauges) ahead of each cutter can minimize the force of a kickback reaction by preventing the cutters from digging in too deeply at the kickback zone. Only use a replacement chain that is equivalent to the original chain or has been certified one.

⚠ CAUTION: As saw chains are sharpened during their useful life, they lose some of the low kickback qualities and extra caution should be used.

ADDITIONAL WARNINGS

- **A chain saw is intended for two-handed use.** Serious injury to the operator, helpers, and/or bystanders can result from one-handed operation.
- **Avoid unintentional contact with the stationary saw chain or guide bar rails.** These can be very sharp. Always wear gloves and long pants or chaps when handling the chain saw, saw chain, or guide bar.
- **Never operate a chain saw that is damaged or improperly adjusted or that is not completely and securely assembled.** Be sure that the saw chain stops moving when the trigger switch is released.
- **Inspect the work piece for nails, wire, or other foreign objects prior to cutting.**
- **When bucking, secure the work piece prior to cutting. When felling or pruning, identify and secure hazardous branches.**
- **Aggressive or abusive cutting or misuse of the chain saw can cause premature bar, chain, and/or sprocket wear, as well as broken chain or bar, leading to kickback, chain throw or the ejection of material.**
- **Never use the guide bar as a lever.** A bent guide bar can cause premature bar, chain, and/or sprocket wear, as well as a broken chain or bar, leading to kickback, chain throw or the ejection of material.
- **Cut only one work piece at a time.**
- **Do not charge the battery pack in rain or in wet locations.**
- **Plan the work, ensuring an obstacle-free work area and, in the case of felling, at least one escape path from the falling tree.**
- **When felling, keep bystanders at least two tree lengths away.**
- **If situations occur which are not covered in this manual, use care and good judgment. Contact EGO Customer Service for assistance.**

GUIDE BAR

This saw comes equipped with a guide bar that has a small radius nose. Small radius noses generally have less potential for kickback. When replacing the guide bar, be sure to order the bar listed in this manual.

SAVE THESE INSTRUCTIONS!

ALLGEMEINE SICHERHEITSHINWEISE ZU ELEKTROWERKZEUGEN

⚠️ WARNUNG: Beachten Sie alle Warnhinweise, Anleitungen, Abbildungen und technischen Daten, die diesem Elektrowerkzeug beigelegt sind. Die Nichtbeachtung aller unten aufgeführter Anweisungen kann zu Stromschlägen, Feuer und/oder schweren Verletzungen führen.

BEWAHREN SIE ALLE WARN- UND BEDIENHINWEISE FÜR NACHSCHLAGEZWECKE AUF.

Unter den Begriff „Elektrowerkzeug“ in den Warnhinweisen fallen netzbetriebene (d. h. schnurgebundene) oder akkubetriebene (d.h. schnurlose) Elektrowerkzeuge.

SICHERHEIT IM ARBEITSBEREICH

- Halten Sie den Arbeitsbereich stets sauber und gut beleuchtet. Nicht aufgeräumte oder dunkle Bereiche können Unfälle provozieren.
- Verwenden Sie Elektrowerkzeuge nicht in explosionsgefährdeten Umgebungen wie z. B. in Gegenwart von entzündlichen Flüssigkeiten, Gasen oder Staub. Elektrowerkzeuge erzeugen Funken, die Staub oder Dämpfe entzünden können.
- Halten Sie Schaulustige und Kinder beim Arbeiten mit dem Elektrowerkzeug fern. Ablenkungen können dazu führen, dass Sie die Kontrolle verlieren.

ELEKTRISCHE SICHERHEIT

- Die Netzstecker der Elektrowerkzeuge müssen in die Steckdosen passen. Der Netzstecker darf unter keinen Umständen modifiziert werden. Verwenden Sie keine Adapterstecker an geerdeten Elektrowerkzeugen. Die Stromschlaggefahr verringert sich erheblich, wenn die Netzstecker und die passenden Steckdosen nicht verändert werden.
- Vermeiden Sie den Körperkontakt zu geerdeten Flächen wie zum Beispiel Rohrleitungen, Heizkörpern, Herden und Kühlschränken. Es besteht erhöhte Stromschlaggefahr, wenn Ihr Körper geerdet ist.
- Schützen Sie Elektrowerkzeuge vor Regen oder feuchten Bedingungen. Wenn Wasser in das Elektrowerkzeug eindringt, besteht erhöhte Stromschlaggefahr.
- Das Kabel darf nicht zweckentfremdet werden. Das Netzkabel darf nicht zum Tragen, Ziehen oder Herausziehen des Elektrowerkzeugs aus der Steckdose verwendet werden. Das Netzkabel muss vor Hitze, Öl, scharfen Kanten oder beweglichen Teilen ferngehalten werden. Durch beschädigte oder verknotete Kabel besteht erhöhte Stromschlaggefahr.

- Wenn Sie ein Elektrowerkzeug im Freien benutzen, verwenden Sie ein Verlängerungskabel, das für den Gebrauch im Freien geeignet ist. Die Stromschlaggefahr verringert sich bei Gebrauch eines Netzkabels, das für den Einsatz im Freien geeignet ist.
- Wenn sich der Einsatz des Elektrowerkzeugs an einem feuchten Ort nicht vermeiden lässt, benutzen Sie eine Steckdose, die mit einem FI-Schalter gesichert ist. Die Verwendung einer Fehlerstromschutzeinrichtung reduziert die Stromschlaggefahr.

PERSONENSICHERHEIT

- Seien Sie wachsam, geben Sie darauf Acht, was Sie tun, und benutzen Sie Ihren gesunden Menschenverstand, wenn Sie ein Elektrowerkzeug verwenden. Betreiben Sie das Gerät nicht, wenn Sie müde sind oder unter dem Einfluss von Drogen, Alkohol oder Medikamenten stehen. Ein Moment der Unachtsamkeit kann beim Gebrauch eines Elektrowerkzeugs zu ernsthaften Verletzungen führen.
- Tragen Sie eine persönliche Schutzausrüstung. Tragen Sie immer einen Augenschutz. Durch eine für die jeweiligen Bedingungen geeignete Schutzausrüstung wie etwa eine Staubschutzmaske, rutschfeste Schuhe, Helm oder Gehörschutz lässt sich die Verletzungsgefahr verringern.
- Ungewollten Anlauf verhindern. Vor dem Anschließen an eine Steckdose und/oder einen Akku und vor dem Aufheben oder Transportieren des Werkzeugs immer kontrollieren, ob der Hauptschalter in ausgeschalteter Position ist. Unfälle sind vorprogrammiert, wenn Sie Elektrowerkzeuge mit einem Finger am Betriebsschalter tragen oder Elektrowerkzeuge mit eingeschaltetem Betriebsschalter an eine Steckdose anschließen.
- Entfernen Sie alle Einstellschlüssel oder Schraubenschlüssel, bevor Sie das Elektrowerkzeug einschalten. Ein Schraubenschlüssel oder ein Schlüssel, der noch an einem beweglichen Teil des Elektrowerkzeugs befestigt ist, kann zu Verletzungen führen.
- Nicht überstrecken. Achten Sie stets auf einen festen Stand und halten Sie das Gleichgewicht. Dies ermöglicht eine bessere Kontrolle über das Elektrowerkzeug in unerwarteten Situationen.
- Tragen Sie angemessene Kleidung. Tragen Sie keine weite Kleidung oder Schmuck. Halten Sie Ihr Haar, Ihre Kleidung und Handschuhe von den beweglichen Teilen fern. Weite Kleidung, Schmuck oder langes Haar können sich in den beweglichen Teilen verfangen.

DE

- **Wenn Komponenten zum Anschluss an eine Absauganlage und an Auffangvorrichtungen mitgeliefert werden, achten Sie darauf, dass diese ordnungsgemäß befestigt und benutzt werden.** Durch eine Staubabsaugvorrichtung lassen sich Gefahrenquellen durch Staub ausschalten.
- **Lassen Sie sich nicht durch die aufgrund häufiger Benutzung entstandene Vertrautheit mit Werkzeugen dazu verleiten, unachtsam zu werden und die für Werkzeuge geltenden Sicherheitsgrundsätze zu ignorieren.** Eine fahrlässige Handlung kann bereits im Bruchteil einer Sekunde zu schweren Verletzungen führen.

GEBRAUCH UND PFLEGE DES ELEKTROWERKZEUGS

- **Üben Sie keinen übermäßigen Druck auf das Elektrowerkzeug aus.** Verwenden Sie ein geeignetes Elektrowerkzeug für die jeweiligen Arbeiten. Durch das passende Elektrowerkzeug lassen sich die Arbeiten besser und sicherer in dem jeweils vorgesehenen Tempo erledigen.
- **Verwenden Sie das Elektrowerkzeug nicht, wenn sich der Schalter nicht ein- und ausschalten lässt.** Ein Elektrowerkzeug, das sich über den Schalter nicht betätigen lässt, ist gefährlich und muss repariert werden.
- **Ziehen Sie den Netzstecker aus der Steckdose bzw. nehmen Sie den Akku vom Elektrowerkzeug ab, bevor Sie Einstellungen vornehmen, das Zubehör wechseln oder das Elektrowerkzeug verstauen.** Solche vorsorglichen Sicherheitsmaßnahmen verringern die Gefahr, dass sich das Elektrowerkzeug unbeabsichtigt einschaltet.
- **Bewahren Sie nicht benutzte Elektrowerkzeuge außerhalb der Reichweite von Kindern auf und verbieten Sie Personen die Gerätebenutzung, die das Elektrowerkzeug oder diese Anweisungen nicht kennen.** In den Händen ungeübter Benutzer stellen Elektrowerkzeuge eine große Gefahr dar.
- **Warten Sie Elektrowerkzeuge und Zubehörteile. Achten Sie auf falsch ausgerichtete oder fest sitzende bewegliche Teile, Bruchstellen und sonstige Umstände, die die Funktion des Elektrowerkzeuges beeinträchtigen können. Lassen Sie beschädigte Elektrowerkzeuge reparieren, bevor Sie sie wieder einsetzen.** Viele Unfälle entstehen durch schlecht gewartete Elektrowerkzeuge.
- **Halten Sie Schneidwerkzeuge scharf und sauber.** Sachgemäß gewartete Schneidwerkzeuge mit scharfen Schneiden neigen weniger zum Festfahren und sind leichter zu kontrollieren.
- **Benutzen Sie das Elektrowerkzeug, Zubehör, Werkzeuteile usw. gemäß diesen Anweisungen und berücksichtigen Sie dabei die Arbeitsbedingungen und die auszuführende Arbeit.** Die Verwendung des Elektrowerkzeugs für Aufgaben, die von seinem bestimmungsgemäßen Zweck abweichen, können zu gefährlichen Situationen führen.
- **Halten Sie die Griffe und Griffflächen trocken, sauber und frei von Öl und Fett.** Schmierige Griffe und Griffflächen ermöglichen keinen sicheren Betrieb und/oder können zum Kontrollverlust über das Werkzeug führen.

BENUTZUNG UND PFLEGE VON AKKUGERÄTEN

- **Laden Sie den Akku nur mit dem vom Hersteller angegebenen Ladegerät auf.** Ein Ladegerät, das für einen bestimmten Akkutyp geeignet ist, kann bei der Benutzung eines anderen Akkus zu einer Brandgefahr werden.
- **Benutzen Sie für die Elektrowerkzeuge nur die jeweils zugehörigen Akkus.** Durch die Verwendung anderer Akkus besteht Verletzungs- und Brandgefahr.
- **Wenn der Akku nicht benutzt wird, halten Sie ihn von anderen metallischen Gegenständen fern, wie etwa Büroklammern, Münzen, Schlüssel, Nägel, Schrauben oder anderen kleinen Metallgegenständen, die eine Verbindung zwischen den Batteriekontakten herstellen können.** Das Kurzschließen der Batteriekontakte kann Verbrennungen oder Brände verursachen.
- **Bei unsachgemäßer Anwendung kann Flüssigkeit aus dem Akku austreten; Kontakt vermeiden.** Falls Sie versehentlich mit Akkusäure in Berührung gekommen sind, spülen Sie mit Wasser. Falls Akkusäure in die Augen geraten ist, suchen Sie zudem einen Arzt auf. Aus dem Akku austretende Flüssigkeit kann Reizungen oder Verätzungen verursachen.
- **Benutzen Sie keinen Akku oder ein Werkzeug, das beschädigt oder umgebaut wurde.** Beschädigte oder umgebaute Akkus können sich unvorhergesehen verhalten, wodurch möglicherweise ein Brand, eine Explosion oder Verletzungen verursacht werden.
- **Akkus oder Werkzeuge vor Feuer oder extremen Temperaturen schützen.** Feuer oder Temperaturen über 130 °C können eine Explosion verursachen.
- **Befolgen Sie alle Ladeanweisungen und laden Sie den Akku oder das Werkzeug nicht außerhalb des Temperaturbereichs auf, der in der Anleitung angegebenen ist.** Das unsachgemäße Aufladen oder Laden außerhalb des angegebenen Temperaturbereichs kann den Akku beschädigen und die Brandgefahr erhöhen.

REPARATUREN

- **Lassen Sie Ihr Elektrowerkzeug von einer qualifizierten Fachkraft und nur unter Verwendung identischer Ersatzteile reparieren.** Nur so kann für die Sicherheit des Elektrowerkzeugs gesorgt werden.
- **Reparieren Sie unter keinen Umständen beschädigte Akkus.** Die Reparatur von Akkus sollte ausschließlich von dem Hersteller oder autorisierten Serviceanbietern vorgenommen werden.

SICHERHEITSHINWEISE ZU KETTENSÄGEN

- **Halten Sie alle Körperteile von der Kettensäge fern, wenn die Kettensäge in Betrieb ist. Bevor Sie die Kettensäge starten, vergewissern Sie sich, dass die Sägekette nichts berührt.** Ein Augenblick der Unaufmerksamkeit beim Betrieb von Kettensägen kann dazu führen, dass Ihre Kleidung oder Ihr Körper von der Kette erfasst wird.
- **Halten Sie die Kettensäge immer mit Ihrer rechten Hand am hinteren Griff und Ihrer linken Hand am vorderen Griff.** Wenn Sie die Kettensäge umgekehrt festhalten, erhöht sich das Verletzungsrisiko.
- **Kettensäge nur an den isolierten Griffflächen anfassen, da die Säge verdeckte Kabel durchschneiden könnte.** Der Kontakt der Sägekette mit einer spannungsführenden Leitung kann auch metallene Geräteteile unter Spannung setzen und dem Benutzer einen Stromschlag versetzen.
- **Augenschutz tragen. Es wird außerdem eine Schutzausrüstung für Gehör, Kopf, Hände, Beine und Füße empfohlen.** Eine angemessene Schutzausrüstung reduziert das Risiko einer Verletzung durch herumfliegende Sägespäne oder den unbeabsichtigten Kontakt mit der Sägekette.
- **Kettensäge nicht auf einem Baum, einer Leiter, von einem Dach aus oder anderen instabilen Erhöhungen benutzen.** Der Betrieb einer Kettensäge auf diese Weise kann zu schweren Verletzungen führen.
- **Immer auf einen festen Stand achten und die Kettensäge nur auf festem, sicherem und ebenem Untergrund einsetzen.** Rutschige oder wackelige Flächen wie zum Beispiel Leitern können zum Verlust des Gleichgewichts oder der Kontrolle über die Kettensäge führen.
- **Wenn Sie einen Ast durchtrennen, der unter Spannung steht, müssen Sie auf eventuelle Rückfederkräfte gefasst sein.** Wenn die Spannung in den Holzfasern freigesetzt wird, kann der unter Spannung stehende Ast zurückfedern und den Benutzer treffen und/oder die Kettensäge kann außer Kontrolle geraten.
- **Seien Sie besonders vorsichtig beim Schneiden von Buschwerk und jungen Trieben.** Das dünne Schnittgut kann von der Sägekette erfasst werden und in Ihre Richtung geschleudert werden oder Sie aus dem Gleichgewicht bringen.
- **Tragen Sie die Kettensäge ausgeschaltet am vorderen Griff und von Ihrem Körper weg zeigend. Wenn Sie die Kettensäge transportieren oder lagern, bringen Sie immer die Führungsschienenabdeckung an.** Bei sachgemäßer Handhabung der Kettensäge ist die Wahrscheinlichkeit eines versehentlichen Kontakts mit der laufenden Sägekette geringer.
- **Befolgen Sie die Anweisungen zum Schmieren, Spannen der Kette und zum Zubehörwechsel.** Eine fehlerhaft gespannte oder geschmierte Kette kann entweder reißen oder die Rückschlaggefahr erhöhen.
- **Halten Sie die Griffe trocken, sauber und frei von Öl oder Fett.** Schmierige, ölige Griffe sind rutschig und führen zu Kontrollverlust.
- **Sägen Sie nur Holz. Benutzen Sie die Kettensäge nicht für Zwecke, für die sie nicht vorgesehen ist. Zum Beispiel: Schneiden Sie mit der Kettensäge nicht in Kunststoff, Mauerwerk oder Baumaterialien, die nicht aus Holz sind.** Die Verwendung der Kettensäge für Aufgaben, die von ihrem bestimmungsgemäßen Zweck abweichen, kann zu gefährlichen Situationen führen.
- **Der Benutzer sollte erst versuchen, einen Baum zu fällen, wenn ihm die damit verbundenen Risiken bekannt sind und er weiß, wie diese zu vermeiden sind.** Beim Fällen eines Baums könnten der Benutzer oder Umstehende schwer verletzt werden.

URSACHEN UND RÜCKSTOSSVORBEUGUNG DURCH DEN BENUTZER

Ein Rückstoß kann auftreten, wenn die Spitze der Führungsschiene einen Gegenstand berührt oder wenn das Holz im Schnitt zusammenfällt und die Sägekette in der Schnitfführung einklemmt (Abb. A).

Der Werkstückkontakt mit der Spitze der Führungsschiene kann in manchen Fällen einen plötzlichen Rückstoß hervorrufen, der die Führungsschiene in Richtung des Benutzers zurückschnellen lässt (Abb. B).

Wenn die Sägekette an der Oberseite der Führungsschiene einklemmt, kann es passieren, dass die Führungsschiene in Richtung des Benutzers schnell nach hinten gestoßen wird (Abb. C).

Beide Reaktionen können dazu führen, dass Sie die Kontrolle über die Säge verlieren. Dadurch besteht schwere Verletzungsgefahr. Verlassen Sie sich nicht ausschließlich auf die in Ihre Säge integrierten Sicherheitsvorrichtungen.

Als Bediener einer Kettensäge sollten Sie mehrere Maßnahmen ergreifen, um Ihre Sägearbeiten unfallfrei oder verletzungsfrei auszuführen.

Ein Rückschlag ist die Reaktion auf einen unsachgemäßen und/oder falschen Gebrauch, auf eine ungeeignete Vorgehensweise oder falsche Arbeitsbedingungen. Durch folgende Maßnahmen lässt sich dieser Zustand konsequent vermeiden:

- **Achten Sie auf einen festen Griff. Umfassen Sie mit den Daumen und Fingern die Griffe der Kettensäge, halten Sie die Säge mit beiden Händen fest und positionieren Sie Ihren Körper und Arm so, dass Sie der Rückschlagenergie standhalten können (Abb. D).** Die Rückschlagkräfte können vom Benutzer kontrolliert werden, wenn geeignete Vorsichtsmaßnahmen getroffen werden. Lassen Sie die Kettensäge nicht los.
- **Strecken Sie sich nicht zu weit nach vorn und schneiden Sie nicht höher als bis auf Schulterhöhe.** Dadurch kann ein unbeabsichtigter Kontakt der Schienenspitze verhindert werden und Sie haben in unerwarteten Situationen eine bessere Kontrolle über die Kettensäge.
- **Verwenden Sie nur Führungsschienen und Ketten, die vom Hersteller angegeben werden.** Ungeeignete Ersatzschienen und -ketten können zu Kettenbruch und/oder Rückschlag führen.
- **Folgen Sie den Anweisungen des Herstellers für das Schärfen und Warten der Sägekette.** Wenn die Eintauchtiefe verringert wird, besteht erhöhtes Rückschlagrisiko.
- **Stellen Sie sicher, dass der Bereich, in dem Sie arbeiten, frei von Hindernissen ist.** Lassen Sie die Schienenspitze nicht mit einem Holzstamm, Ast, Zaun oder anderen Hindernissen in Berührung kommen, die Sie beim Arbeiten mit der Säge treffen könnten.
- **Sägen Sie immer, wenn das Gerät mit voller Drehzahl läuft.** Drücken Sie den Auslöser ganz durch und halten Sie die Sägedrehzahl aufrecht.
- **Wenn Sie im Wesentlichen verstehen, was ein Rückschlag ist, können Sie das Überraschungsmoment in Grenzen halten oder sogar ausschalten.** Plötzliche Überraschungen beim Arbeiten erhöhen das Unfallrisiko.
- **Achten Sie stets auf einen festen Stand und halten Sie das Gleichgewicht.**

- **Druck- und Zugkräfte –** Die Reaktionskraft wirkt immer entgegengesetzt zur Kettenaufrichtung, in der die Säge in das Holz eintaucht. Deshalb muss der Benutzer bereit sein, die Zugkräfte zu kontrollieren, wenn mit der Unterseite der Führungsschiene gesägt wird, bzw. die Druckkräfte, wenn mit der Oberseite gesägt wird (Abb. E).

RÜCKSCHLAG-SCHUTZVORRICHTUNGEN AN DIESER KETTENSÄGE

KETTENBREMSE

Die Kettensäge ist mit einer Kettenbremse ausgestattet, die sowohl den Motor als auch die Bewegung der Kette stoppt, wenn es zum Rückschlag kommt. Die Kettenbremse kann durch die Vorwärtsbewegung des Kettenbremshebels aktiviert werden, wenn die Säge während des Rückschlags rückwärts rotiert. Sie kann zudem durch die Trägheitskräfte ausgelöst werden, die beim Zurückschnellen entstehen.

⚠️ WARNUNG: Die Kettenbremse nie verändern oder deaktivieren.

Vergewissern Sie sich, dass die Kettenbremse ordnungsgemäß funktioniert, bevor Sie die Kettensäge benutzen. Der Kettenbremshebel sollte sich mühelos vor und zurück bewegen lassen.

- Um die Funktionsfähigkeit der Kettenbremse zu testen, führen Sie die folgenden Schritte aus (Abb. F):
- Legen Sie die Kettensäge auf eine freie, ebene Fläche und stellen Sie sicher, dass sich keine Gegenstände oder Hindernisse in unmittelbarer Nähe befinden, die mit der Führungsschiene oder der Kette in Berührung kommen können.
- Deaktivieren Sie die Kettenbremse, indem Sie den Kettenbremshebel in Richtung des vorderen Griffs umlegen.
- Starten Sie die Kettensäge.
- Drücken Sie den Kettenbremshebel zur Vorderseite der Säge. Bei einer korrekt funktionierenden Handbremse wird die Bewegung der Kette sofort unterbrochen. Wenn die Kettenbremse nicht ordnungsgemäß funktioniert, darf die Kettensäge erst wieder benutzt werden, wenn sie von einem qualifizierten Servicetechniker repariert worden ist.

F-1	Kettenbremshebel in Betriebsposition
F-2	Kettenbremshebel in Bremsposition

⚠️ WARNUNG: Vergewissern Sie sich vor jedem Gebrauch, dass die Kettenbremse einwandfrei funktioniert.

⚠️ WARNUNG: Falls die Kettenbremse mit Holzspänen verstopft ist, kann die Funktionsfähigkeit der Kettenbremse nachlassen. Halten Sie das Gerät stets sauber.

RÜCKSCHLAGARME SÄGEKETTE

Die Räumzähne (Eingriffmesser) vor jedem Sägezahn können die Stärke des Rückschlags gering halten, indem sie verhindern, dass die Sägezähne zu tief in die Rückschlagzone eingreifen. Verwenden Sie nur mit der Originalkette identische oder als identisch zertifizierte Ersatzketten.

⚠️ VORSICHT: Da Sägeketten über ihre Nutzungsdauer verteilt ab und zu nachgeschliffen werden, gehen ihre Rückschlag hemmenden Eigenschaften im Laufe der Zeit in gewissem Maße verloren. Daher ist besondere Vorsicht geboten.

WEITERE WARNUNGEN

- **Eine Kettensäge ist für die Benutzung mit beiden Händen vorgesehen.** Durch die Bedienung mit nur einer Hand können Benutzer, Helfer und/oder Umstehende schwer verletzt werden.
- **Vermeiden Sie die unabsichtliche Berührung der still stehenden Sägekette oder der Führungsschienenstege.** Diese können sehr scharf sein. Tragen Sie bei der Handhabung der Kettensäge, Sägekette oder der Führungsschiene immer Handschuhe und lange Hosen oder Beinschützer.
- **Benutzen Sie niemals eine Kettensäge, die beschädigt ist oder fehlerhaft eingestellt oder nicht komplett und sicher zusammengebaut ist.** Die Sägekette muss ihre Bewegung einstellen, wenn Sie den Auslöser loslassen.
- **Untersuchen Sie das Werkstück auf Nägel, Drähte oder andere Fremdkörper, bevor Sie es sägen.**
- **Fixieren Sie beim Ablängen das Werkstück vor dem Sägen. Achten Sie beim Fällen oder Beschneiden von Bäumen auf gefährliche Äste und sichern Sie diese.**
- **Ein aggressiver, zweckentfremdeter oder fehlerhafter Gebrauch der Kettensäge kann einen vorzeitigen Verschleiß der Schiene, Kette und/oder des Kettenrads verursachen. Ferner besteht die Gefahr eines Ketten- oder Schienenbruchs, durch den es zu Rückschlägen, Kettenspringen oder Herausschleudern von Schnittgut kommen kann.**
- **Benutzen Sie die Führungsschiene niemals als Hebel.** Eine verbogene Führungsschiene kann zum vorzeitigen Verschleiß der Schiene, Kette und/oder des Kettenrads führen. Ferner besteht die Gefahr

eines Ketten- oder Schienenbruchs, durch den es zu Rückschlägen, Kettenspringen oder Herausschleudern von Schnittgut kommen kann.

- **Schneiden Sie jeweils nur ein Werkstück.**
- **Den Akku nicht im Regen oder an nassen Orten aufladen.**
- **Planen Sie die Arbeit und stellen Sie hierzu sicher, dass der Arbeitsbereich frei von Hindernissen ist. Beim Fällen von Bäumen sollte mindestens ein Fluchtweg vor dem umstürzenden Baum vorhanden sein.**
- **Wenn Sie Bäume fällen, halten Sie Umstehende mindestens zwei Baumlängen auf Abstand.**
- **Falls Situationen auftreten, die nicht in dieser Bedienungsanleitung behandelt werden, gehen Sie vorsichtig und vernünftig vor. Wenden Sie sich an den EGO-Kundendienst, um Hilfe zu erhalten.**

FÜHRUNGSSCHIENE

Diese Kettensäge wird mit einer Führungsschiene geliefert, die eine Spitze mit kleinem Radius hat. Spitzen mit kleinem Radius haben gewöhnlich ein geringeres Rückschlagpotenzial. Wenn Sie die Führungsschiene auswechseln, bestellen Sie unbedingt die in dieser Bedienungsanleitung aufgeführte Führungsschiene.

HEBEN SIE DIESE ANLEITUNG AUF!

CONSIGNES DE SÉCURITÉ GÉNÉRALES POUR L'OUTIL ÉLECTRIQUE

FR

⚠ AVERTISSEMENT : Lisez toutes les consignes de sécurité, les instructions, les illustrations et les spécifications de sécurité fournies avec cet outil électrique. Le non-respect des consignes figurant ci-dessous peut provoquer un choc électrique, un incendie et/ou des blessures graves.

CONSERVEZ TOUS LES CONSIGNES DE SÉCURITÉ ET TOUTES LES INSTRUCTIONS POUR CONSULTATION ULTÉRIEURE.

Le terme « outil électrique » utilisé dans les consignes de sécurité désigne votre outil électrique fonctionnant sur le secteur (filaire) ou sur batterie (sans fil).

SÉCURITÉ DE L'AIRE DE TRAVAIL

- **Maintenez l'aire de travail propre et bien éclairée.** Les endroits sombres ou désordonnés augmentent les risques d'accident.
- **N'utilisez pas les outils électriques dans des atmosphères explosives, par exemple en présence de liquides, gaz ou poussières inflammables.** Les outils électriques génèrent des étincelles pouvant enflammer les poussières et les vapeurs.
- **Veillez à ce que les enfants et les autres personnes restent éloignés pendant l'utilisation d'un outil électrique.** Un moment d'inattention peut vous faire perdre le contrôle de l'outil.

SÉCURITÉ ÉLECTRIQUE

- **La fiche de l'outil électrique doit correspondre à la prise électrique. Ne modifiez jamais la prise de quelque manière que ce soit. N'utilisez jamais d'adaptateur de prise avec les outils électriques pourvus d'une mise à la terre ou à la masse.** Les fiches non modifiées et les prises électriques appropriées réduisent le risque de choc électrique.
- **Évitez tout contact physique avec des surfaces mises à la terre ou mises à la masse, telles que tuyaux, radiateurs, fours et réfrigérateurs.** Il y a un risque accru de choc électrique si votre corps est relié à la terre ou à la masse, directement ou indirectement.
- **N'exposez pas les outils électriques à la pluie ou à un environnement mouillé.** Si de l'eau pénètre dans un outil électrique, cela accroît le risque de choc électrique.
- **Prenez soin du câble d'alimentation. N'utilisez jamais le câble d'alimentation pour porter, tirer ou débrancher l'outil électrique. Veillez à ce que le câble d'alimentation n'entre jamais en contact avec de l'huile, des pièces mobiles, des arêtes**

tranchantes, et ne soit jamais exposé à de la chaleur. Les câbles d'alimentation endommagés ou emmêlés augmentent le risque de choc électrique.

- **Quand vous utilisez un outil électrique en extérieur, utilisez une rallonge électrique adaptée à un usage en extérieur.** L'utilisation d'une rallonge conçue pour un usage en extérieur permet de réduire le risque de choc électrique.
- **S'il est impossible d'éviter d'utiliser un outil électrique dans un endroit humide, utilisez une alimentation protégée par un disjoncteur de fuite à la terre (DDFT).** L'utilisation d'un DDFT réduit le risque de choc électrique.

SÉCURITÉ DES PERSONNES

- **Restez vigilant, soyez attentif à ce que vous faites et faites preuve de bon sens lors de l'utilisation d'un outil électrique. N'utilisez pas un outil électrique quand vous êtes fatigué ou sous l'emprise de l'alcool, de stupéfiants ou de médicaments.** Un moment d'inattention pendant l'utilisation des outils électriques peut provoquer des blessures corporelles graves.
- **Utilisez des équipements de protection individuelle. Portez toujours une protection oculaire.** L'utilisation d'équipements de protection appropriés aux conditions de travail, tels qu'un masque anti-poussières, des chaussures de sécurité antidérapantes, un casque et des protections auditives, permet de réduire les risques de blessures corporelles.
- **Évitez les démarrages accidentels. Vérifiez que l'interrupteur marche/arrêt est dans la position arrêt avant de brancher l'outil dans une prise électrique et/ou une batterie, de le saisir ou de le transporter.** Porter les outils électriques avec le doigt sur leur interrupteur ou les brancher dans une alimentation électrique alors que leur interrupteur est dans la position marche augmente le risque d'accident.
- **Retirez toutes les clés de réglage et de serrage avant de mettre l'outil électrique en marche.** Une clé de réglage ou de serrage laissée sur une pièce rotative de l'outil électrique peut provoquer des blessures corporelles.
- **N'essayez pas de travailler des endroits difficiles à atteindre. Conservez en permanence des appuis des pieds solides et un bon équilibre.** Cela permet un meilleur contrôle de l'outil électrique en cas de situations inattendues.
- **Portez une tenue adaptée. Ne portez pas de vêtements amples ni de bijoux. Maintenez vos cheveux, vêtements et gants éloignés des pièces mobiles.** Les vêtements amples, les bijoux et les cheveux longs peuvent se prendre dans les pièces mobiles.

- **Si un outil est conçu pour être utilisé avec des dispositifs d'extraction et de récupération des poussières, veillez à ce que ces dispositifs soient raccordés et correctement utilisés.** L'utilisation de dispositifs antipoussières permet de réduire les dangers liés aux poussières.
- **Veillez à ne pas devenir trop sûr de vous et ne cessez pas de respecter les principes de sécurité même si vous vous sentez familiarisé à l'utilisation de l'outil.** La négligence peut provoquer des blessures graves en une fraction de seconde.

UTILISATION ET ENTRETIEN DE L'OUTIL ÉLECTRIQUE

- **Ne forcez pas l'outil électrique. Utilisez l'outil électrique approprié au travail que vous voulez effectuer.** L'utilisation d'un outil approprié au travail à effectuer permet d'effectuer ce travail plus efficacement, avec une sécurité accrue et au rythme pour lequel l'outil a été conçu.
- **N'utilisez pas l'outil électrique si son interrupteur marche/arrêt ne permet pas de l'allumer et de l'éteindre.** Tout outil électrique qui ne peut pas être contrôlé par son interrupteur marche/arrêt est dangereux et doit être réparé.
- **Débranchez la fiche électrique de la prise secteur et/ou retirez la batterie de l'outil électrique avant de procéder à des réglages, de changer des accessoires ou de ranger l'outil électrique.** Cette mesure de sécurité préventive réduit le risque de démarrage accidentel de l'outil électrique.
- **Rangez les outils électriques non utilisés hors de portée des enfants. N'autorisez pas les personnes non familiarisées avec l'outil électrique ou ce manuel d'utilisation l'utiliser.** Les outils électriques sont dangereux dans les mains de personnes inexpérimentées.
- **Entretenez les outils électriques et les accessoires. Inspectez-les pour vérifier qu'aucune pièce mobile n'est grippée ou mal alignée, qu'aucune pièce n'est cassée, et pour tout autre problème qui pourrait affecter leur fonctionnement. Si un outil électrique est endommagé, il doit être réparé avant d'être réutilisé.** Beaucoup d'accidents sont dus à des outils électriques mal entretenus.
- **Veillez à ce que les accessoires de coupe restent affûtés et propres.** Des accessoires de coupe bien entretenus et bien affûtés risquent moins de se coincer et sont plus faciles à contrôler.
- **Utilisez l'outil électrique, ses accessoires, mèches/embouts et toutes les autres pièces conformément aux présentes instructions, en prenant en compte**

les conditions d'utilisation et le travail à effectuer. Utiliser l'outil électrique à d'autres finalités que celles pour lesquelles il a été conçu peut engendrer des situations dangereuses.

- **Maintenez les poignées et surfaces de préhension propres, sèches et exemptes d'huile et de graisse.** Des poignées et surfaces de préhension glissantes peuvent engendrer une prise non sûre et/ou la perte de contrôle de l'outil.

UTILISATION ET ENTRETIEN DE L'OUTIL SUR BATTERIE

- **Rechargez la batterie exclusivement avec le chargeur spécifié par le fabricant.** Un chargeur adapté à un type de batterie en particulier peut présenter un risque d'incendie s'il est utilisé avec une batterie différente.
- **Utilisez les outils électriques exclusivement avec les batteries spécifiées.** L'utilisation de toute autre batterie peut créer un risque de blessures et d'incendie.
- **Lorsque la batterie n'est pas utilisée, elle doit être rangée à l'écart de tout objet métallique, tel que les trombones, pièces de monnaie, clés, clous, vis et tous les autres petits objets métalliques pouvant mettre en contact ses bornes.** Mettre en court-circuit les bornes de la batterie peut provoquer des brûlures et un incendie.
- **Si la batterie est soumise à des conditions d'utilisation excessives, du liquide peut s'en échapper. Évitez tout contact avec ce liquide. En cas de contact accidentel, rincez à grande eau. En cas de contact avec les yeux, vous devez en outre consulter un médecin.** Le liquide qui s'échappe des batteries peut provoquer des irritations et des brûlures.
- **N'utilisez pas une batterie ou un outil endommagé ou modifié.** Les batteries modifiées ou endommagées peuvent avoir un comportement imprévisible provoquant un incendie, une explosion ou un risque de blessure.
- **N'exposez pas la batterie ou l'outil à des flammes ou à une température excessive.** L'exposition au feu ou à des températures supérieures à 130 °C peut provoquer une explosion.
- **Respectez toutes les instructions de recharge et ne rechargez pas la batterie ou l'outil hors de la plage de température spécifiée dans les instructions.** La recharge incorrecte ou à des températures hors de la plage spécifiée peut endommager la batterie et accroître le risque d'incendie.

FR

RÉPARATION

- **Faites réparer votre outil électrique par un réparateur qualifié qui ne doit utiliser que des pièces de rechange identiques.** Cela garantit que l'outil électrique reste sûr.
- **Ne réparez jamais les batteries endommagées.** La réparation des batteries doit toujours être effectuée par le fabricant ou des réparateurs agréés.

CONSIGNES DE SÉCURITÉ POUR LA TRONÇONNEUSE

- **Veillez à ce qu'aucune partie du corps ne s'approche de la chaîne quand la tronçonneuse est en marche. Avant de démarrer la tronçonneuse, vérifiez que la chaîne n'est en contact avec aucun objet.** Un moment d'inattention pendant l'utilisation de la tronçonneuse suffit pour que vos vêtements se prennent dans la chaîne ou que votre corps entre en contact avec celle-ci.
- **Tenez toujours la tronçonneuse avec la main droite sur la poignée arrière et la main gauche sur la poignée avant.** Ne tenez jamais la tronçonneuse en inversant la position des mains, car cela augmente les risques de blessures corporelles.
- **Maintenez la tronçonneuse par ses surfaces de préhension isolées uniquement car la chaîne pourrait entrer en contact avec des câbles dissimulés.** Le contact entre la chaîne de la tronçonneuse et un câble sous tension peut mettre sous tension les parties métalliques exposées de l'outil électrique et infliger une décharge électrique à l'opérateur.
- **Portez une protection oculaire. Les équipements de protection suivants sont également recommandés : protection auditive, casque, gants, pantalon de protection et chaussures de sécurité.** Des vêtements de protection adaptés réduisent le risque de blessures corporelles liées à la projection de débris ou à un contact accidentel avec la chaîne de la tronçonneuse.
- **N'utilisez pas une tronçonneuse lorsque vous vous trouvez dans un arbre, sur une échelle, un toit ou toute autre surface instable.** L'utilisation d'une tronçonneuse dans ces conditions entraîne le risque de graves blessures corporelles.
- **L'utilisateur de l'outil doit toujours être debout sur une surface plane, fixe et stable, et doit toujours garder l'équilibre.** Si vous vous tenez sur une surface instable ou glissante, par exemple une échelle, vous risquez de perdre l'équilibre ou le contrôle de la tronçonneuse.
- **Quand vous coupez une branche sous tension, prenez garde à l'effet ressort.** Quand la tension des fibres du bois est relâchée, la branche risque, à cause de l'effet ressort, de frapper l'opérateur et/ou de projeter la tronçonneuse, lui en faisant perdre le contrôle.
- **Faites extrêmement attention lors de la coupe de broussailles et de jeunes arbres.** Le matériau fin peut être happé par la chaîne de la tronçonneuse et se rabattre violemment dans votre direction ou vous faire perdre l'équilibre.
- **Portez la tronçonneuse par sa poignée avec la tronçonneuse éteinte et éloignée de votre corps. Lors du transport et du stockage de la tronçonneuse, remettez toujours le protège-guide.** Manipuler correctement la tronçonneuse permet de réduire la probabilité de contact accidentel avec la chaîne en mouvement.
- **Respectez les instructions de la notice d'utilisation concernant la lubrification, le réglage de la tension de la chaîne et le changement des accessoires.** Si la chaîne est incorrectement lubrifiée ou tendue, cela peut provoquer sa casse ou accroître le risque de rebond.
- **Maintenez les poignées propres, sèches et exemptes d'huile et de graisse.** Les poignées huileuses ou grasses sont glissantes et peuvent vous faire perdre le contrôle de l'outil.
- **Coupez exclusivement du bois. N'utilisez pas la tronçonneuse à des finalités pour lesquelles elle n'a pas été conçue. Par exemple, ne l'utilisez pas pour couper du plastique, des matériaux de maçonnerie ou tout autres matériaux de construction qui ne sont pas en bois.** Il est potentiellement dangereux d'utiliser la tronçonneuse à une finalité autre que celle pour laquelle elle a été conçue.
- **N'essayez pas d'abattre un arbre tant que vous ne possédez pas une bonne compréhension des risques encourus et de la façon de les éviter.** L'opérateur et les passants pourraient subir des blessures graves lors de l'abattage d'un arbre.

LES CAUSES ET LA PRÉVENTION DES REBONDS

Un rebond peut se produire quand le bout ou le nez du guide-chaîne touche un objet, ou quand la ligne de coupe se referme en pincant la chaîne (Fig. A).

Si le nez du guide-chaîne entre en contact avec un objet, cela peut parfois provoquer une réaction soudaine et brutale projetant le guide-chaîne vers le haut et en arrière vers l'opérateur (Fig. B).

Si la chaîne est pincée contre le bord supérieur du guide-chaîne, le guide-chaîne peut être projeté brutalement en

arrière vers l'opérateur (Fig. C).

Chacune de ces réactions peut vous faire perdre le contrôle de l'outil et provoquer de graves blessures corporelles. Ne vous reposez pas exclusivement sur les dispositifs de sécurité intégrés à votre tronçonneuse.

En tant qu'utilisateur d'une tronçonneuse, vous devez prendre plusieurs mesures pour que vos travaux de coupe ne provoquent pas d'accidents ni de blessures.

Les rebonds sont dus à des utilisations impropres de l'outil et/ou des procédures d'utilisation incorrectes et/ou des conditions d'utilisation inadéquates. Il est possible de les éviter en prenant les précautions appropriées suivantes :

- **Ayez une prise ferme, tenez la scie à chaîne à deux mains en encerclant ses poignées avec vos pouces et vos doigts et positionnez votre corps de façon à résister à la pression des rebonds (Fig. D).** L'opérateur peut contrôler la puissance d'un rebond s'il a pris les précautions adéquates. Ne lâchez pas la tronçonneuse.
- **N'essayez pas d'atteindre des zones difficiles à atteindre. Ne sciez pas avec l'outil plus haut que les épaules.** Cela permet d'éviter le contact accidentel du nez du guide-chaîne avec un objet et d'avoir un meilleur contrôle de la tronçonneuse en cas de situations inattendues.
- **Utilisez exclusivement les guides et les chaînes de rechange spécifiés par le fabricant.** Des chaînes et des guides de rechange inappropriés peuvent provoquer un rebond et/ou la casse de la chaîne.
- **Respectez les instructions du fabricant concernant l'entretien et l'affûtage de la chaîne.** Réduire la hauteur du limiteur de profondeur peut augmenter le risque de rebond.
- **Veillez à ce que l'aire dans laquelle vous sciez soit exempte d'obstacles.** Veillez à ce que la pointe du guide-chaîne n'entre jamais en contact avec un tronc, une branche, une barrière, ni aucun autre obstacle pouvant être percuté pendant l'utilisation de la tronçonneuse.
- **Sciez toujours avec l'outil fonctionnant à son régime maximal.** Appuyez complètement sur l'interrupteur-gâchette et maintenez la vitesse de coupe.
- **Par une compréhension élémentaire des rebonds, vous pouvez réduire ou éliminer le facteur de la surprise.** La surprise favorise les accidents.
- **Conservez en permanence des appuis des pieds solides et un bon équilibre.**
- **Poussée et Traction** – La force de réaction est

toujours dans le sens opposé au sens de déplacement de la chaîne au point de contact avec le bois. C'est pourquoi l'opérateur doit être prêt à contrôler la TRACTION lorsque la coupe est effectuée au niveau du bord inférieur du guide-chaîne et à contrôler la POUSSÉE quand la coupe est effectuée au niveau du bord supérieur du guide-chaîne (Fig. E).

DISPOSITIFS DE SÉCURITÉ CONTRE LES REBONDS DE CETTE TRONÇONNEUSE

FREIN DE CHAÎNE

La tronçonneuse est pourvue d'un frein de chaîne qui stoppe le moteur et le déplacement de la chaîne si un rebond se produit. Le frein de chaîne peut être activé par un mouvement vers l'avant de la poignée de frein de rebond de chaîne quand la tronçonneuse pivote vers l'arrière lors d'un rebond. Il peut aussi être activé par les forces d'inertie générées lors d'une poussée rapide vers l'arrière.

⚠ AVERTISSEMENT : Ne modifiez jamais et n'essayez jamais de désactiver le frein de chaîne.

Vérifiez que le frein de chaîne fonctionne correctement avant d'utiliser la tronçonneuse. La poignée de frein de rebond de chaîne doit pouvoir bouger facilement d'avant en arrière.

- Pour vérifier si le frein de la chaîne fonctionne, effectuez les étapes suivantes (Fig. F) :
- Placez la tronçonneuse sur une surface plane et nue, vérifiez qu'il n'y a aucun objet ni obstacle à proximité immédiate pouvant entrer en contact avec le guide-chaîne et la chaîne.
- Désengagez le frein de chaîne en tirant la poignée de frein de rebond de chaîne vers la poignée avant.
- Démarrez la tronçonneuse.
- Poussez la poignée de frein de rebond de chaîne vers l'avant de la tronçonneuse. Si le frein de chaîne fonctionne normalement, il doit stopper immédiatement le déplacement de la chaîne. Si le frein de chaîne ne fonctionne pas correctement, n'utilisez pas la chaîne tant qu'elle n'a pas été réparée par un réparateur qualifié.

F-1	Poignée de frein de rebond de chaîne dans la position d'utilisation
F-2	Poignée de frein de rebond de chaîne dans la position de freinage

⚠ AVERTISSEMENT : Contrôlez le bon fonctionnement du frein de chaîne avant chaque utilisation.

⚠ AVERTISSEMENT : Si le frein de chaîne est encrassé par des copeaux de bois, cela peut nuire à son fonctionnement. Veillez à ce que l'outil reste toujours propre.

CHAÎNE À FAIBLE REBOND

Les limiteurs de profondeur à l'avant de chaque gouge permettent de minimiser la force d'un rebond en empêchant les gougues de pénétrer trop profondément au niveau de la zone de rebond. Utilisez exclusivement une chaîne de rechange équivalente à la chaîne d'origine ou qui a été homologuée.

ATTENTION : Les chaînes de tronçonneuse perdent en partie leur propriété de réduction des rebonds au fur et à mesure qu'elles sont affûtées au cours de leur durée de vie utile, c'est pourquoi il faut faire encore plus attention.

MISES EN GARDE COMPLÉMENTAIRES

- **Une tronçonneuse est conçue pour être manipulée à deux mains.** Si l'outil est utilisé d'une seule main, l'opérateur, ses assistants et/ou les autres personnes présentes risquent d'être gravement blessés.
- Évitez tout contact involontaire avec la chaîne stationnaire ou avec la rainure du guide. Elles peuvent être très coupantes. Portez toujours des gants et des pantalons longs ou des jambières de cuir lors de la manipulation de la tronçonneuse, de la chaîne ou du guide.
- **N'utilisez jamais la tronçonneuse si elle est détériorée, incorrectement réglée, incomplète ou mal assemblée.** Vérifiez que la chaîne s'arrête quand vous relâchez l'interrupteur-gâchette.
- **Inspectez la pièce à scier pour vérifier qu'elle ne comporte pas de clou, de fil métallique, ni aucun autre objet étranger avant de la couper.**
- **Avant de débiter une pièce, fixez-la.** Lors de travaux d'abattage ou d'élagage, identifiez et sécurisez les branches dangereuses.
- **Les coupes agressives ou abusives et l'utilisation impropre de la tronçonneuse peuvent provoquer l'usure prématurée de la chaîne, du guide-chaîne et/ou des pignons, ainsi que la casse de la chaîne ou du guide, et provoquer un rebond, la projection de la chaîne ou l'éjection de matériau.**
- **N'utilisez jamais le guide pour faire levier.** Si le guide est tordu, cela peut provoquer l'usure prématurée de la chaîne, du guide et/ou des pignons, ainsi que la casse de la chaîne ou du guide, et provoquer un rebond, la projection de la chaîne ou l'éjection de matériau.
- **Coupez une seule pièce à la fois.**
- **Ne rechargez pas la batterie sous la pluie ni dans les endroits mouillés.**
- **Planifiez le travail, veillez à ce que la zone de travail soit exempte d'obstacle et, en cas d'abattage, prévoyez au moins une voie d'issue protégée de la chute de l'arbre.**

- **Lors des travaux d'abattage, veillez à ce que les autres personnes restent éloignées d'au moins deux fois la hauteur de l'arbre.**
- **Si des situations non couvertes par ce manuel se produisent, faites preuve de prudence et de bon sens. Contactez le service client EGO pour obtenir des conseils.**

GUIDE-CHAÎNE

Cette tronçonneuse est fournie avec un guide à nez à petit rayon. Les nez à petit rayon réduisent généralement le risque de rebond. Lors du changement du guide, commandez impérativement le guide spécifié dans ce manuel.

CONSERVEZ CE MANUEL D'UTILISATION !

MEDIDAS DE SEGURIDAD GENERALES PARA HERRAMIENTAS ELÉCTRICAS

⚠ ADVERTENCIA: Lea todas las advertencias, instrucciones, ilustraciones y especificaciones incluidas con esta herramienta eléctrica. Si no se cumplen todas las instrucciones que se enumeran a continuación, pueden producirse descargas eléctricas, incendios o lesiones graves.

CONSERVE TODAS LAS INSTRUCCIONES Y ADVERTENCIAS PARA PODER CONSULTARLAS EN EL FUTURO.

El término «herramientas eléctricas» que aparece en las advertencias se refiere tanto a aquellas herramientas que funcionan conectadas a la red eléctrica (mediante cable) como a aquellas otras que funcionan con batería (inalámbricas).

SEGURIDAD EN LA ZONA DE TRABAJO

- **Mantenga la zona de trabajo limpia y bien iluminada.** Las áreas de trabajo desordenadas y oscuras favorecen los accidentes.
- **No ponga en funcionamiento las herramientas eléctricas en entornos explosivos como, por ejemplo, donde haya líquidos inflamables, gases o polvo.** Las herramientas eléctricas generan chispas que podrían actuar como detonante de vapores y partículas de polvo inflamables.
- **Mantenga a los niños y las demás personas alejados cuando esté utilizando una herramienta eléctrica.** Las distracciones podrían hacerle perder el control de la herramienta.

SEGURIDAD ELÉCTRICA

- **El enchufe de la herramienta eléctrica debe corresponder con la toma de corriente. No modifique nunca el enchufe de ningún modo. Nunca utilice enchufes adaptadores con herramientas eléctricas equipadas con conexión a tierra.** Utilizando enchufes no modificados y tomas de corriente adecuadas se reduce el riesgo de descarga eléctrica.
- **Evite cualquier contacto corporal con superficies conectadas a tierra, como tuberías, radiadores, hornillos eléctricos y frigoríficos.** Existe un mayor riesgo de descarga eléctrica si su cuerpo tiene conexión a tierra.
- **No exponga las herramientas eléctricas a la lluvia o a la humedad.** Si penetra agua en una herramienta eléctrica, aumentará el riesgo de descarga eléctrica.

- **No maltrate el cable. Nunca utilice el cable para transportar, arrastrar o desenclufar la herramienta eléctrica. Mantenga el cable alejado del calor, el aceite, los bordes afilados o las piezas móviles.** Los cables dañados o enredados aumentan el riesgo de descarga eléctrica.
- **Cuando use una herramienta eléctrica al aire libre, utilice un cable alargador adecuado para uso en exteriores.** Si se usa un cable adecuado para exteriores, se reducirá el riesgo de descarga eléctrica.
- **Si es inevitable usar una herramienta eléctrica en un entorno húmedo, utilice una alimentación con un interruptor de protección diferencial.** La utilización de un interruptor de protección diferencial reducirá el riesgo de descarga eléctrica.

SEGURIDAD PERSONAL

- **Manténgase alerta, preste atención a lo que está haciendo y aplique el sentido común durante el uso de una herramienta eléctrica. No utilice herramientas eléctricas cuando esté cansado o si se encuentra bajo los efectos de drogas, alcohol o fármacos.** Cuando se están usando herramientas eléctricas, cualquier falta de atención, aunque sea por un instante, puede provocar lesiones graves.
- **Utilice equipo de protección personal. Utilice siempre protección ocular.** El equipo de protección, como máscaras antipolvo, calzado de seguridad antideslizante, casco protector o protección auditiva, cuando se utiliza adecuadamente, reduce las lesiones personales.
- **Evite la puesta en marcha accidental de la herramienta. Asegúrese de que el interruptor de encendido se encuentra en la posición de apagado antes de enchufar la herramienta a la red eléctrica y/o de acoplar la batería, así como al agarrar o transportar la herramienta.** Si lleva una herramienta eléctrica con el dedo puesto sobre el interruptor, o si enchufa una herramienta eléctrica con el interruptor encendido, pueden producirse accidentes.
- **Retire cualquier llave de ajuste o llave inglesa de la herramienta antes de encenderla.** Una llave inglesa o una llave de ajuste enganchada a una parte giratoria de la herramienta puede producir lesiones físicas.
- **No se estire demasiado para alcanzar lugares de difícil acceso. Mantenga una posición firme y equilibrada en todo momento.** De este modo podrá controlar mejor la herramienta eléctrica en situaciones inesperadas.

ES

- **Utilice ropa adecuada. No lleve ropa holgada ni joyas. Mantenga el pelo, la ropa y los guantes alejados de las piezas móviles.** La ropa holgada, así como las joyas o el pelo largo podrían engancharse en las partes móviles de la herramienta.
- **Si se incluyen dispositivos de conexión a extractores y colectores de polvo, asegúrese de conectarlos y utilizarlos adecuadamente.** La utilización de dispositivos colectores de polvo puede reducir los peligros ocasionados por el polvo.
- **El hecho de haberse familiarizado con la herramienta por el uso frecuente no debe hacer que se descuide e ignore los principios de seguridad.** Una distracción puede provocar lesiones graves en una fracción de segundo.

UTILIZACIÓN Y CUIDADO DE LAS HERRAMIENTAS ELÉCTRICAS

- **No fuerce la herramienta eléctrica. Utilice la herramienta eléctrica adecuada para la tarea que vaya a realizar.** La herramienta correcta funcionará mejor y con más seguridad a la velocidad para la que ha sido diseñada.
- **No use la herramienta si el interruptor no funciona para encenderla y apagarla.** Toda herramienta que no se puede controlar con el interruptor es peligrosa y debe repararse.
- **Asegúrese siempre de retirar el enchufe de la toma de corriente y/o el acumulador de las herramientas eléctricas antes de ajustarlas, cambiar sus accesorios o guardarlas.** Estas medidas de seguridad reducen el riesgo de que la herramienta se ponga en marcha por accidente.
- **Guarde las herramientas eléctricas apagadas fuera del alcance de niños y no deje que las usen personas que no estén familiarizadas con estas instrucciones o con las herramientas.** Las herramientas eléctricas son peligrosas si las usan personas sin experiencia.
- **Cuide las herramientas eléctricas y sus accesorios. Compruebe si hay elementos móviles desalineados o trabados, piezas rotas u otra circunstancia que pueda afectar al funcionamiento de la herramienta. Si la herramienta eléctrica está dañada, llévela a reparar antes de usarla.** Muchos accidentes se deben a un mantenimiento deficiente de las herramientas eléctricas.
- **Mantenga las herramientas de corte afiladas y limpias.** Las herramientas de corte bien afiladas tienen menos probabilidades de atascarse y son más fáciles de controlar.
- **Use la herramienta eléctrica, los accesorios, las brocas, etc., siguiendo las instrucciones y teniendo en cuenta las condiciones de trabajo y la tarea a realizar.** El uso de las herramientas eléctricas para fines diferentes a los previstos puede dar lugar a situaciones de peligro.
- **Mantenga las asas y las superficies de agarre secas, limpias y libres de aceite y grasa.** Las asas y las superficies de agarre resbaladizas pueden provocar un uso no seguro y la pérdida del control de la herramienta.

UTILIZACIÓN Y MANTENIMIENTO DE HERRAMIENTAS A BATERÍA

- **Recargue únicamente con el cargador especificado por el fabricante.** Un cargador que es adecuado para un tipo de batería podría ocasionar un incendio si se utiliza con una batería distinta.
- **Utilice herramientas eléctricas solamente con las baterías diseñadas específicamente para ellas.** El uso de cualquier otro tipo de batería puede provocar riesgo de lesiones e incendio.
- **Cuando no se esté utilizando la batería, manténgala apartada de objetos metálicos como clips para papeles, monedas, llaves, clavos, tornillos, o cualquier otro objeto metálico pequeño que pudiera provocar un cortocircuito en sus terminales de corriente.** Si se provoca el cortocircuito en los terminales de la batería, podrían producirse quemaduras o incendios.
- **En condiciones de uso intensivo, es posible que se produzca una fuga de ácido de los acumuladores; evite el contacto. Enjuague con agua si se produce un contacto accidental. Si el líquido entra en contacto con los ojos, solicite también atención médica.** El líquido emanado de la batería podría causar irritación o quemaduras.
- **No utilice una batería o una herramienta que haya sido modificada o que esté dañada.** Las baterías dañadas o modificadas pueden tener un comportamiento impredecible y provocar un incendio, explosión o riesgo de lesiones.
- **No exponga la batería ni la herramienta al fuego ni a una temperatura excesiva.** La exposición al fuego o a una temperatura superior a 130 °C podría provocar una explosión.
- **Siga todas las instrucciones de carga y no cargue la batería ni la herramienta fuera del rango de temperatura especificado en las instrucciones.** Una carga incorrecta o a temperaturas fuera del rango especificado puede dañar la batería y aumentar el riesgo de incendio.

SERVICIO TÉCNICO

- **Asegúrese de que las reparaciones que deban efectuarse en sus herramientas eléctricas las lleve a cabo personal técnico cualificado que, además, utilice únicamente piezas de recambio idénticas a las originales.** De este modo, podrá garantizarse la seguridad de uso de la herramienta eléctrica.
- **No repare nunca baterías que estén dañadas.** Las baterías solo debe repararlas el fabricante o un centro de servicio técnico autorizado.

ADVERTENCIAS DE SEGURIDAD RELACIONADAS CON LA MOTOSIERRA

- **Mantenga todas las partes del cuerpo apartadas de la cadena de corte cuando utilice la motosierra. Antes de poner en marcha la motosierra, asegúrese de que la cadena no esté haciendo contacto con ningún objeto.** Cualquier momento de distracción durante la utilización de una motosierra podría hacer que su ropa o alguna parte del cuerpo quedasen enganchadas en la cadena.
- **La motosierra deberá sujetarse siempre utilizando la mano derecha para la empuñadura trasera y la mano izquierda para la empuñadura delantera.** El hecho de sujetar la motosierra con las manos colocadas en una posición diferente u opuesta a la indicada aumentará el riesgo de sufrir lesiones físicas y, por lo tanto, deberá evitarse a toda costa.
- **Sujete la motosierra solo por las superficies de agarre aisladas, ya que la cadena de la sierra puede entrar en contacto con cables ocultos.** Si la cadena de la sierra entra en contacto con cables que conducen tensión, las piezas metálicas expuestas de la herramienta podrían conducir tensión y provocar una descarga eléctrica al usuario.
- **Utilice protección ocular. Se recomienda equipo de protección adicional para los oídos, la cabeza, las manos, las piernas y los pies.** El uso de ropa protectora adecuada reduce el riesgo de lesiones debido a residuos que salen lanzados o al contacto accidental con la cadena de la sierra.
- **No utilice una motosierra cuando esté subido a un árbol, una escalera de mano, sobre un tejado ni sobre una base inestable.** Si se usa la motosierra en dichas circunstancias, podrían producirse lesiones graves.
- **Mantenga en todo momento los pies firmemente apoyados en el suelo y haga funcionar la motosierra desde una superficie fija, segura y nivelada.** Las superficies resbaladizas o inestables, como las escaleras, podrían hacerle perder el equilibrio o el control de la motosierra.

- **Preste atención al cortar ramas que se encuentren sometidas a tensión, ya que podrían rebotar.**

Al liberarse la tensión existente en las fibras de la madera, la rama en cuestión podría golpearle y/o hacerle perder el control de la motosierra.

- **Extreme las precauciones al cortar matorrales y arbustos.** El material fino puede quedar atrapado en la cadena de la sierra y golpearle o hacerle perder el equilibrio.
- **Transporte la motosierra sujetándola por su empuñadura delantera, asegurándose de que está apagada y manteniéndola apartada de su cuerpo. Cuando transporte o guarde la motosierra, instale siempre el protector de la espada.** Una manipulación correcta de la motosierra reducirá las posibilidades de contacto accidental con la cadena en movimiento.
- **Siga las instrucciones para lubricar y tensar la cadena, así como para cambiar los accesorios.** Una cadena incorrectamente lubricada o tensada podría romperse o aumentar el riesgo de provocar retrocesos.
- **Mantenga las empuñaduras de la herramienta secas, limpias y libres de aceite y grasa.** Las empuñaduras sucias de aceite o grasa estarán resbaladizas, pudiéndole hacer perder el control.
- **Utilice la herramienta solo para cortar madera. No utilice la motosierra para trabajos distintos a aquellos para los que ha sido diseñada. Por ejemplo, no utilice la motosierra para cortar plástico, ladrillo, cemento u otros materiales de construcción que no sean de madera.** La utilización de la motosierra para propósitos distintos a los previstos podría suponer un peligro.
- **No intente talar un árbol antes de haber comprendido los riesgos que conlleva y el modo de evitarlos.** El usuario u otras personas podrían sufrir lesiones graves durante la tala de un árbol.

CAUSAS DE RETROCESO DE LA HERRAMIENTA Y PREVENCIÓN

Podría producirse un retroceso si la punta o sección superior de la espada entra contacto con un objeto, o si el corte efectuado en la madera se cierra haciendo que la cadena se trabe en el corte (fig. A).

En algunos casos, el contacto de la punta con la madera puede producir una reacción de retroceso repentina, impulsando la espada hacia arriba y hacia atrás en dirección al usuario (fig. B).

Asimismo, si la cadena en la parte superior de la espada se traba en el corte, la espada podría impulsarse rápidamente hacia atrás en dirección al usuario (fig. C).

Cualquiera de estas reacciones podría hacerle perder el control de la motosierra y provocarle lesiones físicas graves. No confíe exclusivamente en los dispositivos de seguridad integrados en la motosierra.

ES

Como usuario de una motosierra, deberá adoptar medidas para efectuar sus trabajos de corte sin riesgo de accidentes o lesiones.

El retroceso se produce debido a una aplicación y/o manipulación incorrecta de la herramienta o por causa de su mal estado. Podrá evitarse adoptando las medidas preventivas que se detallan a continuación:

- **Sujete firmemente la herramienta con ambas manos, asegurándose de rodear correctamente las empuñaduras con los dedos y pulgares. Asimismo, adopte la posición correcta de manera que sus brazos y cuerpo puedan resistir las fuerzas de reacción resultantes del efecto de retroceso (fig. D).** El usuario podrá controlar el efecto de retroceso tomando las precauciones adecuadas al respecto. Nunca suelte la motosierra mientras la esté utilizando.
- **Procure no estirarse demasiado para alcanzar lugares de difícil acceso y no corte a una altura superior a la de sus hombros.** De esta manera, evitará cualquier contacto accidental con la punta de la motosierra y tendrá un mayor control sobre esta en caso de producirse alguna situación inesperada.
- **Utilice únicamente cadenas y espadas de recambio especificadas por el fabricante.** La utilización de cadenas y espadas de recambio incorrectas podría provocar la ruptura de la cadena y/o aumentar los riesgos de retroceso.
- **Siga las indicaciones del fabricante a la hora de afilar la cadena o y realizar tareas de mantenimiento.** Una reducción de la altura de los limitadores de profundidad aumentará el riesgo de retroceso.
- **Asegúrese de que la zona en la que está cortando esté libre de obstrucciones.** No permita que la punta de la espada entre en contacto con troncos, ramas, vallas o cualquier otro obstáculo que pudiera golpearse mientras utiliza la motosierra.
- **Siempre corte con la herramienta funcionando a su máxima velocidad.** Apriete totalmente el gatillo interruptor y mantenga la velocidad de corte.
- **Entendiendo las nociones básicas del efecto de retroceso, podrá reducir o eliminar el factor sorpresa.** Las sorpresas repentinas aumentan el riesgo de accidente.
- **Mantenga una posición firme y equilibrada en todo momento.**

- **Empuje y tracción:** la fuerza de reacción siempre es opuesta a la dirección de desplazamiento de la cadena en el momento de hacer contacto con la madera. Por lo tanto, el usuario deberá estar preparado para poder controlar la TRACCIÓN que se produce al cortar con el canto inferior de la espada, así como el EMPUJE que tiene lugar al cortar a lo largo del canto superior (fig. E).

DISPOSITIVOS DE SEGURIDAD ANTI-RETROCESO INSTALADOS EN ESTA MOTOSIERRA

FRENO DE CADENA

La motosierra viene equipada con un freno de cadena que detiene el motor y el desplazamiento de la cadena en cuanto se produce un retroceso. El freno de cadena podrá activarse como consecuencia del desplazamiento hacia adelante de la palanca del freno de cadena/guarda de protección de mano como consecuencia del rebote hacia atrás de la motosierra al producirse retroceso. También se puede activar por las fuerzas de inercia generadas durante un retroceso súbito.

⚠ ADVERTENCIA: Nunca modifique ni intente desactivar el freno de cadena.

Asegúrese de que el freno de cadena funciona correctamente antes de usar la motosierra. La palanca del freno de cadena/guarda de protección de mano deberá poder desplazarse fácilmente hacia adelante y hacia atrás.

- Para comprobar el funcionamiento del freno de cadena, proceda del modo siguiente (fig. F):
- Coloque la motosierra sobre una superficie plana y despejada, asegurándose de que no haya cerca objetos ni obstáculos que pudieran entrar en contacto con la espada y cadena.
- Suelte el freno de cadena tirando de la palanca del freno de cadena/guarda de protección de mano hacia la empuñadura delantera.
- Ponga en marcha la motosierra.
- Empuje la palanca del freno de cadena/guarda de protección de mano hacia la parte delantera de la motosierra. Si el freno de accionamiento manual funciona correctamente, el movimiento de la cadena se detendrá de inmediato. En caso de que el freno de cadena no funcione correctamente, no utilice la motosierra hasta que haya sido reparada por un técnico cualificado.

F-1	Palanca del freno de cadena/guarda de protección de mano en posición de funcionamiento
F-2	Palanca del freno de cadena/guarda de protección de mano en posición de freno accionado

⚠ ADVERTENCIA: Confirme que el freno de cadena funciona correctamente antes de cada uso.

⚠ ADVERTENCIA: Si el freno de cadena está obstruido por acumulaciones de virutas, podría reducirse la función de frenado de la cadena. Mantenga siempre limpia la herramienta.

CADENA DE BAJO RETROCESO

Los dientes de arrastre (limitadores de profundidad) situados delante de cada diente de corte pueden reducir la fuerza de reacción del retroceso al impedir que dichos dientes de corte se claven a demasiada profundidad en la zona de retroceso. Utilice únicamente una cadena de recambio equivalente a la cadena original u homologada para esta motosierra.

⚠ PRECAUCIÓN: Debido a que es necesario afilar las cadenas durante su vida útil, serán propensas a perder algunas de sus cualidades de bajo retroceso y, por lo tanto deberán tomarse precauciones adicionales.

ADVERTENCIAS COMPLEMENTARIAS

- **La motosierra ha sido diseñada para utilizarla con ambas manos.** Tanto el usuario como sus asistentes y/o personas presentes en la zona de trabajo podrían resultar heridos si la herramienta se utiliza con una sola mano.
- **Evite todo contacto fortuito con la cadena estacionaria o con el carril fijo de la espada.** Estos elementos pueden estar muy afilados. Utilice siempre guantes y pantalones largos o zahones cuando manipule la motosierra, la cadena o la espada.
- **Nunca utilice una motosierra que esté dañada, que no esté correctamente ajustada o que no se haya montado totalmente y de forma segura.** Asegúrese de que la cadena se detiene una vez que se suelta el gatillo interruptor.
- **Antes de proceder a cortarla, examine la madera por si tuviera clavos, alambres u otros objetos extraños.**

- **Cuando fragmente troncos, sujételos adecuadamente antes de cortarlos.** Al talar o podar árboles, identifique y sujete adecuadamente las ramas peligrosas.
- **Una utilización inadecuada de la motosierra, así como la ejecución de cortes de manera agresiva o inapropiada, podría dar lugar al desgaste prematuro de la espada, la cadena y/o del piñón, o bien a la rotura de la cadena o espada, con el consiguiente riesgo de retroceso, latigazo de la cadena o expulsión de material.**
- **Nunca use la espada a modo de palanca.** Una espada doblada o deformada podría causar el desgaste prematuro de la espada, la cadena o el piñón, o bien la rotura de la cadena o la espada, provocando retroceso, latigazo de la cadena o expulsión de material.
- **Corte únicamente un trozo de material cada la vez.**
- **No recargue la batería bajo la lluvia ni en entornos húmedos.**
- **Planifique su trabajo, asegurándose de que la zona esté libre de obstáculos y, en el caso de tala, tenga al menos una ruta de escape durante el derribo del árbol.**
- **Cuando tale un árbol, las demás personas deberán mantenerse a una distancia de seguridad equivalente a dos veces la longitud del árbol.**
- **Si se produce alguna situación que no esté incluida en este manual, actúe con cuidado y sentido común.** Póngase en contacto con el departamento de atención al cliente de EGO para solicitar ayuda.

ESPADA DE MOTOSIERRA

Esta motosierra está equipada con una espada con un radio de punta pequeño. Las espadas con menor radio de punta suelen ser menos propensas a provocar retroceso. Cuando sustituya la espada, asegúrese de solicitar la referencia de espada indicada en este manual.

¡CONSERVE ESTAS INSTRUCCIONES!

AVISOS DE SEGURANÇA GERAIS PARA FERRAMENTAS ELÉTRICAS

⚠ AVISO: Leia todos os avisos de segurança, instruções, ilustrações e especificações fornecidas com esta ferramenta elétrica. Não seguir todas as instruções apresentadas abaixo pode resultar em choque elétrico, incêndio e/ou lesões graves.

GUARDE TODOS OS AVISOS E INSTRUÇÕES PARA FUTURAS REFERÊNCIAS.

O termo “ferramenta elétrica” nos avisos refere-se às suas ferramentas elétricas ligadas à corrente elétrica (com fios) ou ferramentas elétricas que funcionam com bateria (sem fios).

SEGURANÇA NA ÁREA DE TRABALHO

- **Mantenha a área de trabalho limpa e bem iluminada.** As áreas desarrumadas ou escuras convidam a acidentes.
- **Não ligue ferramentas elétricas em atmosferas explosivas, tal como na presença de líquidos inflamáveis, gases ou pó.** As ferramentas elétricas geram faíscas que podem provocar a ignição dos fumos ou pó.
- **Mantenha crianças e terceiros afastados durante a utilização de uma ferramenta elétrica.** As distrações podem fazer com que perca o controlo.

SEGURANÇA ELÉTRICA

- **As fichas da ferramenta elétrica têm de corresponder à tomada. Nunca modifique uma ficha de forma alguma. Não utilize fichas de adaptadores com ferramentas elétricas com ligação à terra.** O uso de fichas não modificadas e tomadas correspondentes reduz o risco de choque elétrico.
- **Evite o contacto do corpo com superfícies ligadas à terra, tais como tubos, radiadores, bases e frigoríficos.** Existe um risco acrescido de choque elétrico se o seu corpo estiver ligado à terra.
- **Não exponha a ferramenta elétrica à chuva ou a condições húmidas.** A entrada de água numa ferramenta elétrica aumentará o risco de choque elétrico.
- **Não force o fio da alimentação. Nunca utilize o fio para transportar, puxar ou desligar a ferramenta elétrica. Mantenha o fio afastado do calor, óleo, arestas afiadas ou peças móveis.** Um fio danificado ou emaranhado vai aumentar o risco de choque elétrico.

- **Quando estiver a trabalhar com uma ferramenta elétrica ao ar livre, utilize uma extensão adequada para a utilização no exterior.** A utilização de um fio adequado ao exterior reduz o risco de choque elétrico.
- **Se for inevitável trabalhar com uma ferramenta elétrica num local húmido, utilize um interruptor de circuito de falha de ligação à terra.** A utilização deste interruptor reduz o risco de choque elétrico.

SEGURANÇA PESSOAL

- **Mantenha-se alerta, observe o que está a fazer e use senso comum quando estiver a trabalhar com uma ferramenta elétrica. Não utilize uma ferramenta elétrica enquanto estiver cansado ou sob o efeito de drogas, álcool ou medicação.** Um momento de falta de atenção enquanto trabalha com ferramentas elétricas pode resultar em lesões sérias.
- **Use equipamento pessoal de proteção. Utilize sempre proteção ocular.** O equipamento de proteção, como máscara para o pó, sapatos de segurança antiderrapantes, capacete de proteção ou proteção auditiva usado para as condições apropriadas irá reduzir as lesões pessoais.
- **Evite os arranques sem intenção. Certifique-se de que o interruptor se encontra na posição de desligado antes de ligar à alimentação e/ou bateria e antes de pegar ou transportar a ferramenta.** Transportar ferramentas elétricas com o dedo no interruptor ou alimentar ferramentas elétricas com o interruptor na posição de ligado convida a acidentes.
- **Retire qualquer chave de ajuste ou chave de fendas antes de ligar a ferramenta elétrica.** Uma chave de porcas ou uma chave deixada ligada a uma peça rotativa da ferramenta elétrica pode provocar uma lesão.
- **Não se estique. Mantenha sempre a base e o equilíbrio adequados.** Isto permite um melhor controlo da ferramenta elétrica em situações inesperadas.
- **Vista-se adequadamente. Não utilize roupa larga ou jóias. Mantenha o seu cabelo, roupa e luvas afastadas das peças móveis.** Roupas largas, jóias ou cabelo comprido podem ser apanhados pelas peças em movimento.
- **Se forem fornecidos dispositivos para a ligação de extração de pó e facilidades de recolha, certifique-se de que estes estão ligados e de que são devidamente utilizados.** A utilização de dispositivos de recolha de pó pode reduzir os perigos relacionados com o pó.

- **Não permita que a familiaridade ganhe com a utilização de ferramentas o torne mais complacente e ignore os princípios de segurança da ferramenta.** Uma ação descuidada pode causar lesões severas numa fração de segundo.

UTILIZAÇÃO E CUIDADOS DA FERRAMENTA ELÉTRICA

- **Não force a ferramenta elétrica. Utilize a ferramenta elétrica correta para a utilização pretendida.** A ferramenta elétrica correta fará o trabalho melhor e de forma mais segura ao ritmo para o qual foi concebida.
- **Não utilize a ferramenta elétrica se o interruptor não a ligar ou desligar.** Qualquer ferramenta que não possa ser controlada com o interruptor é perigosa e deve ser reparada.
- **Desligue a ficha da alimentação e/ou da bateria da ferramenta elétrica antes de fazer quaisquer ajustes, mudar de acessórios ou armazenar a ferramenta elétrica.** Tais medidas de segurança preventiva ajudam a reduzir os riscos de ligar inadvertidamente a ferramenta elétrica.
- **Guarde as ferramentas elétricas não utilizadas fora do alcance das crianças e não permita que pessoas não familiarizadas com a ferramenta elétrica ou com estas instruções utilizem a ferramenta elétrica.** As ferramentas elétricas são perigosas nas mãos de utilizadores sem formação.
- **Proceda à manutenção das ferramentas elétricas e acessórios. Certifique-se de que as partes móveis não estão desalinhasadas ou bloqueadas, que não há peças quebradas ou qualquer outra condição que possa afetar o funcionamento da ferramenta elétrica.** Se estiver danificada, leve a ferramenta elétrica para ser reparada antes da utilização. Muitos acidentes são provocados pela fraca manutenção das ferramentas elétricas.
- **Mantenha as ferramentas de corte afiadas e limpas.** Ferramentas devidamente mantidas com arestas de corte afiadas são menos fáceis de prender e mais fáceis de controlar.
- **Use a ferramenta elétrica, acessórios e brocas, etc., de acordo com estas instruções, tendo em conta as condições de trabalho e o trabalho a ser efetuado.** A utilização da ferramenta elétrica para operações diferentes daquelas para que foi criada pode dar origem a uma situação perigosa.
- **Mantenha as pegas e superfícies de segurar secas, limpas e sem óleo ou gordura.** Pegas e superfícies de prensão escorregadias podem dar origem a um

manuseamento inseguro e/ou perda de controlo da ferramenta.

UTILIZAÇÃO E CUIDADOS DA FERRAMENTA COM A BATERIA

- **Recarregue apenas com o carregador especificado pelo fabricante.** Um carregador que seja adequado para um tipo de bateria pode criar um risco de incêndio quando usado com outra bateria.
- **Use ferramentas elétricas apenas com as baterias especificamente designadas.** A utilização de outras baterias pode criar um risco de ferimentos e incêndio.
- **Quando não usar a bateria, mantenha-a afastada de outros objetos de metais, como cliques de papel, moedas, chaves, pregos, parafusos ou outros pequenos objetos de metal que possam fazer a ligação entre os dois terminais.** Colocar os terminais da bateria em curto-circuito pode dar origem a queimaduras ou fogo.
- **Sob condições abusivas, pode ser ejetado líquido da bateria; evite o contacto. Se ocorrer contacto accidental, lave com água. Se o líquido entrar em contacto com os olhos, procure ajuda médica.** O líquido ejetado da bateria pode provocar irritação ou queimaduras.
- **Não use a bateria nem a ferramenta se estiverem danificadas ou modificadas.** Baterias danificadas ou modificadas podem apresentar comportamentos imprevisíveis, dando origem a fogo, explosão ou risco de lesões.
- **Não exponha a bateria ou a ferramenta ao fogo ou temperatura excessiva.** A exposição ao fogo ou a temperaturas acima dos 130 °C pode causar uma explosão.
- **Siga todas as instruções de carregamento e não carregue a bateria nem a ferramenta a uma temperatura fora dos parâmetros especificados nas instruções.** Carregar incorretamente ou a temperaturas fora dos parâmetros especificados pode danificar a bateria e aumentar o risco de fogo.

REPARAÇÃO

- **A manutenção da sua ferramenta elétrica deverá ser sempre efetuada por pessoas qualificadas, utilizando apenas peças sobresselentes idênticas.** Tal irá assegurar que a segurança da ferramenta elétrica é mantida.
- **Nunca tente reparar uma bateria danificada.** A reparação das baterias só deverá ser efetuada pelo fabricante ou por um reparador autorizado.

AVISOS DE SEGURANÇA DA MOTOSSERRA

- **Mantenha todas as partes do corpo afastadas da corrente da serra quando a motosserra se encontra em funcionamento. Antes de ligar a motosserra, certifique-se que a corrente da serra não está em contacto com nada.** Um momento de desatenção enquanto utiliza motosserras pode fazer com que a sua roupa ou corpo fiquem presos na corrente.
- **Mantenha sempre a motosserra com a sua mão direita na pega traseira e a sua mão esquerda na pega dianteira.** Segurar a motosserra com as mãos nos locais opostos aumenta o risco de lesões pessoais e nunca deverá ser feito.
- **Segure a motosserra apenas pelas superfícies de preensão isoladas, pois a motosserra pode entrar em contacto com a cablagem oculta.** Correntes de serra que entrem em contacto com um cabo ligado à corrente podem fazer com que as peças de metal expostas da ferramenta elétrica fiquem ligadas à corrente e podem fazer com que o operador sofra um choque elétrico.
- **Use proteção ocular. Recomendamos também a utilização de proteção auditiva, para a cabeça, mãos, pernas e pés.** A utilização de roupa de proteção reduz as lesões pessoais devido a resíduos que sejam atirados ou ao contacto accidental com a corrente da serra.
- **Não utilize uma motosserra em cima de uma árvore, escada, telhado ou qualquer suporte instável.** A utilização de uma motosserra deste modo pode dar origem a lesões pessoais sérias.
- **Mantenha sempre os pés numa base estável e utilize a motosserra apenas numa superfície nivelada, segura e fixa.** Superfícies desniveladas ou instáveis, como escadas, podem causar a perda de equilíbrio ou controlo da motosserra.
- **Quando um ramo se encontra sob tensão tenha cuidado com o ressalto.** Quando a tensão das fibras da madeira for libertada, o tronco pode bater no operador e/ou fazer com que perca o controlo da motosserra.
- **Proceda com extremo cuidado ao cortar arbustos e rebentos.** O material esguio pode ficar preso na serra e ser projetado na sua direção ou afetar o seu equilíbrio.
- **Transporte a motosserra pela pega dianteira, com o aparelho desligado e afastado do corpo. Quando transportar ou guardar a motosserra, coloque sempre a cobertura da barra de orientação.** O manuseamento adequado da motosserra reduz a probabilidade de contacto accidental com a serra em movimento.

- **Siga as instruções quanto a lubrificação, aplicação de tensão na serra e mudança de acessórios.** Uma serra mal lubrificada ou com a tensão errada pode partir ou aumentar a probabilidade de ressalto.
- **Mantenha as pegas secas, limpas e sem óleo ou gordura.** Pegas com óleo ou gordura podem provocar uma perda de controlo.
- **Apenas corte madeira. Não utilize a motosserra com outros intuitos para além daqueles para que foi criada. Por exemplo: Não utilize a motosserra para cortar plástico, alvenaria ou materiais de construção que não sejam de madeira.** A utilização da motosserra para operações diferentes das pretendidas pode resultar numa situação perigosa.
- **Não tente abater uma árvore até compreender os riscos e saber como evitá-los.** Podem ocorrer lesões sérias no operador ou terceiros durante o abate de uma árvore.

CAUSAS E PREVENÇÃO DE RESSALTOS

O ressalto pode ocorrer quando o “nariz” ou ponta da barra de orientação toca num objeto ou quando a madeira aperta e prende a serra no corte (Imagem A).

O contacto da ponta em alguns casos pode provocar uma reação inversa súbita, empurrando a barra de orientação para cima e para trás em direção ao operador (Imagem B).

Prender a serra na parte superior da barra de orientação pode empurrar a barra de orientação rapidamente para trás na direção do operador (Imagem C).

Qualquer uma destas reações pode fazer com que perca controlo da serra, o que pode resultar em ferimentos pessoais sérios. Não dependa exclusivamente dos dispositivos de segurança incorporados na sua motosserra.

Como utilizador de motosserra, deve tomar diversas medidas para manter as suas tarefas de corte livres de acidentes ou ferimentos.

O ressalto é um resultado de uma má utilização e/ou condições ou procedimentos de funcionamento incorretos e pode ser evitado tomando as precauções adequadas conforme indicadas abaixo:

- **Segure bem a pega com os dedos a rodear as pegas da motosserra, com ambas as mãos no aparelho e colocando o seu corpo e braço de modo a resistir às forças de um ressalto (Imagem D).** Os ressaltos podem ser controlados pelo operador, se forem tomadas as devidas medidas de precaução. Não largue a motosserra.

- **Não se estique e não corte acima da altura do ombro.** Isto ajuda a evitar o contacto sem intenção da ponta e permite um melhor controlo da motosserra em situações inesperadas.
- **Utilize apenas as correntes e barras de substituição especificadas pelo fabricante.** Serras e barras de substituição incorretas podem provocar quebra da corrente de serra e/ou ressalto.
- **Siga as instruções para manutenção e para afiar do fabricante para a corrente da serra.** Diminuir a altura do manómetro de profundidade pode levar a um aumento do ressalto.
- **Certifique-se de que a área onde vai cortar não tem obstruções.** Não deixe o nariz da barra de orientação entrar em contacto com um tronco, ramo ou qualquer outra obstrução enquanto estiver a utilizar a serra.
- **Corte sempre com a unidade a funcionar à velocidade máxima.** Aperte por completo o interruptor e mantenha a velocidade de corte.
- **Com um conhecimento básico do ressalto, pode reduzir ou eliminar o elemento surpresa.** Uma surpresa súbita contribui para acidentes.
- **Mantenha sempre a base e o equilíbrio adequados.**
- **Empurrar e puxar** – A força de reação é sempre oposta à direção do movimento da corrente, onde é feito o contacto com a madeira. Assim, o operador tem de estar pronto para controlar o PUXAR quando cortar na extremidade inferior da barra, e EMPURRAR quando cortar ao longo da extremidade superior (Imagem E).

DISPOSITIVOS DE SEGURANÇA CONTRA RESSALTOS NESTA MOTOSSERRA

TRAVÃO DA CORRENTE

A motosserra vem equipada com um travão da corrente, que para o motor e o movimento da corrente quando ocorre um ressalto. O travão da corrente pode ser ativado pelo movimento de avanço da pega do travão de ressalto da corrente à medida que a serra roda para trás durante o ressalto. Também pode ser ativado pelas forças de inércia geradas durante um ressalto rápido.

⚠ AVISO: Nunca modifique nem tente desmontar o travão da corrente.

Certifique-se de que o travão da corrente funciona corretamente antes de utilizar a motosserra. A pega do travão do ressalto da corrente deverá mover-se facilmente para a frente e para trás.

Para testar o funcionamento do travão da corrente, efetue os seguintes passos (Imagem F):

- Coloque a motosserra numa superfície plana e certifique-se de que não existe nenhum objeto ou obstrução por perto que possa entrar em contacto com a barra e com a corrente.
- Liberte o travão da corrente puxando a pega do travão do ressalto da corrente na direção da pega dianteira.
- Ligar a motosserra.
- Empurre a pega do travão do ressalto da corrente na direção da frente da serra. Um travão manual a funcionar corretamente para imediatamente o movimento da corrente. Se o travão da corrente não funcionar corretamente, não utilize a motosserra até ser reparada por um técnico de reparação.

F-1	Pega do travão do ressalto da corrente na posição de funcionamento
F-2	Pega do travão do ressalto da corrente na posição de travada

⚠ AVISO: Certifique-se de que o travão da corrente funciona corretamente antes de cada utilização.

⚠ AVISO: Se o travão da corrente ficar obstruído com serradura, o funcionamento deste pode deteriorar-se. Mantenha sempre o equipamento limpo.

CORRENTE DA SERRA DE BAIXO RESSALTO

Os manómetros de profundidade à frente de cada cortador podem minimizar a força da reação de ressalto, evitando que os cortadores entrem demasiado na zona de ressalto. Utilize apenas uma corrente de substituição equivalente à corrente original ou que seja certificada.

⚠ CUIDADO: À medida que as correntes da serra são afiadas durante o seu tempo de vida útil, perdem algumas qualidades de ressalto baixo. Deverá por isso ter mais cuidado.

AVISOS ADICIONAIS

- **O uso de uma motosserra deve ser efetuado com duas mãos.** Utilizações só com uma mão podem resultar em ferimentos graves para o utilizador, ajudantes ou terceiros.
- **Evite o contacto sem intenção com a corrente da serra parada ou as calhas da barra de orientação.** Estas podem estar muito afiadas. Utilize sempre luvas e calças compridas ou proteções de couro quando manusear a motosserra, corrente da serra ou barra de orientação.

- **Nunca utilize a motosserra se estiver danificada, incorretamente ajustada ou montada de forma incompleta ou insegura.** Certifique-se que a corrente para de se mover quando o gatilho é libertado.
 - **Inspeccione a peça a ser trabalhada quanto a pregos, arames e outros objetos estranhos antes de proceder ao corte.**
 - **Quando cortar, fixe a peça a ser trabalhada com antecedência.** Quando deitar ramos abaixo ou podar, identifique e fixe os ramos perigosos.
 - **Um corte agressivo ou abusivo ou má utilização da motosserra pode causar um desgaste prematuro da barra, corrente e/ou roda dentada, bem como uma quebra da corrente ou da barra, dando origem a ressaltos ou ejeção da corrente ou de outros materiais.**
 - **Nunca utilize a barra de orientação como alavanca.** Uma barra de orientação dobrada pode causar um desgaste prematuro da barra, corrente e/ou roda dentada, bem como uma quebra da corrente ou da barra, dando origem a ressaltos ou ejeção da corrente ou de outros materiais.
 - **Corte sempre apenas uma peça de cada vez.**
- **Não carregue a bateria à chuva ou em condições húmidas.**
 - **Planeie o trabalho, certificando-se de que a área de trabalho não tem obstáculos e que, no caso de queda da árvore, tem, pelo menos, um caminho de fuga da árvore em queda.**
 - **Durante o abate de uma árvore, mantenha terceiros a, pelo menos, o dobro do tamanho da árvore de distância.**
 - **Se ocorrerem situações que não sejam abrangidas por este manual, tenha cuidado e faça uso do bom senso. Contacte o serviço de apoio ao cliente da EGO para obter assistência.**

BARRA DE ORIENTAÇÃO

Esta serra vem equipada com uma barra de orientação com um nariz com um raio pequeno. Narizes com um raio pequeno têm menos possibilidades de ressalto. Quando substituir a barra de orientação, certifique-se de que encomenda a barra listada neste manual.

GUARDE ESTAS INSTRUÇÕES!

AVVERTENZE DI SICUREZZA COMUNI A TUTTI GLI UTENSILI ELETTRICI

⚠ AVVERTENZA! Leggere tutte le avvertenze di sicurezza, le istruzioni, le illustrazioni e le specifiche fornite insieme a questo utensile elettrico. Il mancato rispetto delle istruzioni sotto riportate comporta il rischio di scossa elettrica, incendio e/o gravi infortuni.

CONSERVARE TUTTE LE AVVERTENZE E LE ISTRUZIONI PER FUTURO RIFERIMENTO.

Il termine "utensile elettrico" utilizzato nelle avvertenze indica un utensile elettrico alimentato tramite rete elettrica (con cavo) o batterie (senza cavo).

SICUREZZA DELL'AREA DI LAVORO

- **Mantenere l'area di lavoro pulita e ben illuminata.** Aree ingombre e ombreggiate favoriscono gli incidenti.
- **Non usare gli utensili elettrici in atmosfere esplosive, ad esempio in presenza di liquidi, gas o polveri infiammabili.** Gli utensili elettrici creano scintille che possono incendiare polveri o fumi.
- **Durante l'uso dell'utensile elettrico, tenere a distanza i bambini e le persone presenti.** Le distrazioni possono far perdere il controllo dell'utensile.

SICUREZZA ELETTRICA

- **Le spine degli utensili elettrici devono essere adatte al tipo di presa. Non modificare la spina in alcun modo. Non usare adattatori con gli utensili elettrici dotati di messa a terra (collegati a massa).** Spine non modificate e prese adatte riducono il rischio di scossa elettrica.
- **Evitare il contatto del corpo con superfici collegate a terra come tubi, radiatori, fornelli elettrici e frigoriferi.** Il rischio di scossa elettrica aumenta se il proprio corpo è collegato a terra.
- **Non esporre gli utensili elettrici a pioggia o umidità.** L'infiltrazione di acqua all'interno di un utensile elettrico aumenta il rischio di scossa elettrica.
- **Non utilizzare il cavo in modo improprio. Non usare il cavo per trasportare, tirare o scollegare l'utensile elettrico dalla presa di corrente. Tenere il cavo al riparo da calore, olio, bordi taglienti o parti in movimento.** La presenza di cavi danneggiati o aggrovigliati aumenta il rischio di scossa elettrica.
- **Durante l'uso di un utensile elettrico all'aperto, utilizzare una prolunga idonea per ambienti esterni.** L'uso di un cavo idoneo riduce il rischio di scossa elettrica.

- **Se è necessario lavorare in un luogo umido, utilizzare un circuito elettrico dotato di interruttore differenziale.** L'uso di un interruttore differenziale (RCD) riduce il rischio di scossa elettrica.

SICUREZZA PERSONALE

- **Durante l'uso di un utensile elettrico, prestare sempre la massima attenzione e utilizzare il buon senso. Non usare un utensile elettrico se si è stanchi o sotto l'effetto di droghe, alcol o farmaci.** Un solo attimo di disattenzione durante l'uso dell'utensile elettrico può provocare gravi infortuni.
- **Indossare dispositivi di protezione individuale. Indossare sempre occhiali di protezione.** I dispositivi di protezione individuali come maschere antipolvere, calzature antiscivolo, caschi e cuffie per le orecchie, se utilizzati quando le circostanze lo richiedono, riducono il rischio di infortuni.
- **Prevenire l'avvio accidentale. Assicurarsi che l'interruttore sia in posizione di spegnimento prima di sollevare, trasportare o collegare l'utensile elettrico alla presa di corrente e/o alla batteria.** Per ridurre il rischio di incidenti, non trasportare gli utensili elettrici tenendo le dita sull'interruttore e non collegarli alla presa di corrente se l'interruttore è in posizione di accensione.
- **Rimuovere eventuali chiavi di serraggio prima di accendere l'utensile elettrico.** Una chiave di serraggio rimasta inserita in un elemento mobile dell'utensile elettrico può provocare infortuni.
- **Non allungarsi eccessivamente. Mantenere sempre un buon equilibrio evitando posizioni instabili.** Ciò assicura un miglior controllo dell'utensile elettrico in situazioni impreviste.
- **Vestirsi adeguatamente. Non indossare indumenti ampi o gioielli. Tenere i capelli, gli indumenti e le mani lontano dalle parti mobili.** Indumenti ampi, gioielli o capelli lunghi possono rimanere impigliati nelle parti in movimento.
- **Se sono presenti dispositivi di aspirazione e trattenimento delle polveri, assicurarsi che siano collegati e usati correttamente.** Tali dispositivi possono ridurre i rischi legati alle polveri.
- **Non lasciare che la familiarità con l'apparecchio (derivata da un uso frequente) abbassi il livello di attenzione.** Anche una minima distrazione può causare gravi infortuni.

USO E MANUTENZIONE DELL'UTENSILE ELETTRICO

- **Non forzare l'utensile elettrico. Utilizzare l'utensile più adatto al lavoro da svolgere.** L'utensile elettrico è più sicuro ed efficace se utilizzato alla velocità per la quale è stato progettato.

IT

- **Non usare l'utensile elettrico se l'interruttore non funziona correttamente.** Un utensile elettrico che non può essere controllato dall'interruttore è pericoloso e deve essere riparato.
- **Scollegare l'utensile elettrico dalla presa di corrente e/o dal gruppo batteria prima di regolarlo, riporlo o sostituire gli accessori.** Tale misura di sicurezza riduce il rischio di avvio accidentale dell'utensile elettrico.
- **Riporre gli utensili elettrici fuori dalla portata dei bambini e non permetterne l'uso a persone che non hanno familiarità con l'apparecchio o con queste istruzioni.** Gli utensili elettrici sono pericolosi se utilizzati da persone non competenti.
- **Mantenere gli utensili elettrici e gli accessori in buono stato. Verificare che le parti mobili non siano disallineate o piegate, che i componenti non siano danneggiati e che non siano presenti altri problemi che potrebbero pregiudicare il corretto funzionamento dell'utensile elettrico. Se danneggiato, fare riparare l'utensile elettrico prima di usarlo.** Molti incidenti sono dovuti a una cattiva manutenzione degli utensili elettrici.
- **Mantenere gli utensili di taglio puliti e affilati.** Gli utensili di taglio mantenuti puliti e affilati hanno meno probabilità di subire malfunzionamenti e sono più facili da controllare.
- **Usare l'utensile elettrico, gli accessori, le punte ecc. conformemente a queste istruzioni, tenendo conto delle condizioni dell'area di lavoro e del tipo di lavoro da svolgere.** L'uso dell'utensile elettrico per operazioni diverse da quelle per cui è progettato può comportare situazioni di pericolo.
- **Tenere le impugnature e le superfici di presa asciutte, pulite e prive di olio o grasso.** Impugnature e superfici di presa scivolose non garantiscono l'uso sicuro e/o il controllo dell'utensile.

USO E MANUTENZIONE DELLA BATTERIA

- **Ricaricare la batteria esclusivamente con il caricabatteria specificato dal costruttore.** Un caricabatteria adatto a un tipo di gruppo batteria può comportare il rischio di incendio se usato con un altro gruppo batteria.
- **Usare esclusivamente gruppi batteria progettati specificamente per questo utensile elettrico.** L'uso di altri gruppi batteria comporta il rischio di incendio e infortunio.
- **Quando il gruppo batteria non è in uso, tenerlo lontano da piccoli oggetti metallici, ad esempio**

graffette, monete, chiavi, chiodi, viti ecc. poiché potrebbero creare un collegamento tra i due terminali. Il cortocircuito dei terminali della batteria comporta il rischio di incendio o ustioni.

- **L'utilizzo improprio dell'utensile elettrico può causare fuoriuscite di liquido dalla batteria: evitare il contatto con tale liquido. In caso di contatto accidentale, lavare con acqua. Se il liquido entra in contatto con gli occhi, consultare un medico.** Il liquido fuoriuscito dalla batteria può causare irritazioni o ustioni.
- **Non usare gruppi batteria o utensili danneggiati o modificati.** Le batterie danneggiate o modificate possono manifestare comportamenti imprevisti, con il rischio di incendio, esplosione o infortunio.
- **Non esporre il gruppo batteria o l'apparecchio a fiamme o temperature eccessive.** L'esposizione a fiamme o temperature superiori a 130°C comporta il rischio di esplosione.
- **Rispettare tutte le istruzioni relative alla ricarica e non ricaricare il gruppo batteria o l'utensile a temperature diverse da quelle specificate nelle istruzioni.** Una ricarica eseguita in modo improprio o a temperature diverse da quelle specificate può danneggiare la batteria e aumentare il rischio di incendio.

RIPARAZIONI

- **Affidare la riparazione dell'utensile elettrico a tecnici qualificati usando esclusivamente parti di ricambio identiche.** Ciò salverà la sicurezza dell'utensile elettrico.
- **Non riparare gruppi batteria danneggiati.** La riparazione dei gruppi batteria deve essere effettuata esclusivamente dal fabbricante o da un centro di assistenza autorizzato.

AVVERTENZE DI SICUREZZA SPECIFICHE PER SEGHE A CATENA

- **Mantenere tutte le parti del corpo lontani dalla motosega quando è in funzione. Prima di avviare la motosega, accertarsi che non sia a contatto con alcun oggetto.** Un solo momento di disattenzione durante l'uso della motosega comporta il rischio di rimanere impigliati nella catena con il corpo o gli indumenti.
- **Tenere sempre la motosega con la mano destra sull'impugnatura posteriore e la mano sinistra sull'impugnatura anteriore.** Tenere la motosega invertendo tale configurazione manuale aumenta il rischio di lesioni e deve essere assolutamente evitato.

- **Tenere la motosega esclusivamente tramite le superfici di presa isolate, perché la catena può entrare a contatto con cavi elettrici nascosti.** Se la catena tocca un cavo elettrificato può trasmettere la corrente alle parti metalliche dell'utensile, esponendo l'operatore al rischio di scossa elettrica.
- **Indossare protezioni per gli occhi. Si raccomanda l'uso di altri dispositivi di sicurezza per testa, mani, gambe e piedi.** Un abbigliamento di protezione adeguato riduce il rischio di infortuni causati da detriti scagliati dall'utensile o dal contatto accidentale con la catena.
- **Non usare la motosega su un albero, una scala, un tetto o altri supporti instabili.** Se utilizzata in questo modo, la motosega comporta il rischio di lesioni gravi.
- **Mantenere sempre i piedi a contatto con il terreno e utilizzare la motosega esclusivamente quando si è in piedi su una superficie salda, sicura e piana.** Superfici scivolose o instabili, ad esempio scale, comportano il rischio di perdita di equilibrio o di controllo della motosega.
- **Durante il taglio di un ramo in tensione, fare attenzione al rischio di rimbalzo.** Al rilascio della tensione nelle fibre del legno, il ramo torna bruscamente nella posizione originale, con il rischio di colpire l'operatore e/o causare la perdita di controllo della motosega.
- **Prestare particolare attenzione durante il taglio di rametti e cespugli.** I materiali sottili possono impigliarsi nella motosega e colpire l'operatore, o causare la perdita dell'equilibrio.
- **Trasportare la motosega tramite l'impugnatura anteriore, spenta e lontana dal proprio corpo. Durante il trasporto o prima di riporre la motosega, inserire sempre la copertura della barra.** La corretta manipolazione della motosega riduce il rischio di contatto accidentale con la catena in movimento.
- **Seguire le istruzioni relative alla lubrificazione, alla tensione della catena e alla sostituzione degli accessori.** Una catena tesa o lubrificata in modo scorretto può rompersi o aumentare il rischio di contraccolpo.
- **Tenere le impugnature asciutte, pulite e prive di olio e grasso.** Le impugnature unte sono scivolose e comportano il rischio di perdita di controllo.
- **Tagliare esclusivamente legname. Non usare la motosega per altri scopi. Ad esempio, non usare la motosega per tagliare materie plastiche, muratura o materiali edili non legnosi.** L'uso della motosega per operazioni diverse da quelle per cui è progettata

può comportare situazioni di pericolo.

- **Non tentare di abbattere un albero se non si conoscono i rischi associati e le modalità per evitarli.** L'abbattimento di un albero comporta il rischio di lesioni gravi all'operatore e alle altre persone presenti.

CAUSE E PREVENZIONE DEL CONTRACCOLPO

Il contraccolpo può verificarsi quando la punta o l'estremità della barra guida entra a contatto con un oggetto, o quando il legno si richiude e blocca la catena nell'intaglio (Fig. A).

Il contatto con la punta può in alcuni casi dare origine a una rapidissima controtazione, che causa lo sbalzo la barra guida verso l'alto e all'indietro verso l'operatore (Fig. B).

L'inzeppamento della catena sul bordo superiore della punta della barra guida può spingere la barra guida rapidamente contro l'operatore (Fig. C).

In entrambi i casi l'operatore può perdere il controllo della motosega, con il rischio di gravi infortuni. Non fare affidamento esclusivo sui dispositivi di sicurezza integrati nella motosega.

L'operatore deve adottare adeguate precauzioni per evitare incidenti o infortuni durante l'uso della motosega.

Il contraccolpo è il risultato dell'uso improprio della motosega e/o di procedure d'uso o condizioni scorrette, e può essere evitato prendendo le seguenti precauzioni:

- **Mantenere una presa salda con entrambe le mani, e il pollice e le dita intorno alle impugnature; mantenere una posizione del corpo e delle braccia tale da resistere alle forze di contraccolpo (Fig. D).** Le forze di contraccolpo possono essere controllate dall'operatore, se sono state prese le dovute precauzioni. Non abbandonare mai la presa.
- **Evitare una posizione anomala del corpo e non eseguire tagli oltre l'altezza della spalla.** Ciò contribuisce a evitare il contatto accidentale della punta e migliora il controllo sulla motosega in situazioni impreviste.
- **Usare esclusivamente barre e catene specificate dal costruttore.** Barre e catene di ricambio non adatte possono causare la rottura della catena e/o contraccolpi.
- **Seguire le istruzioni del costruttore relative alla manutenzione e affilatura della motosega.** La riduzione dell'altezza del limitatore di profondità può aumentare il rischio di contraccolpo.

- **Verificare che l'area di lavoro sia priva di ostruzioni.** Evitare che la punta della barra guida entri a contatto con tronchi, rami, recinzioni o altre ostruzioni suscettibili di venire colpite durante l'uso della motosega.
- **Tagliare sempre con il motore alla velocità massima.** Premere completamente l'interruttore a grilletto e mantenere la velocità di taglio.
- **Con una conoscenza essenziale del fenomeno del contraccolpo, è possibile ridurre o eliminare l'elemento sorpresa.** Eventi imprevisi contribuiscono agli incidenti.
- **Tenere i piedi a contatto con il pavimento e mantenere sempre l'equilibrio.**
- **Spinta e traino** - La forza di reazione è sempre opposta alla direzione di movimento della catena nel punto di contatto con il legno. Pertanto, l'operatore deve essere pronto a controllare il TRAINO durante il taglio con la parte inferiore della barra guida e la SPINTA durante il taglio lungo la parte superiore (Fig. E).

DISPOSITIVI DI SICUREZZA CONTRO IL CONTRACCOLPO INTEGRATI NELLA MOTOSEGA

FRENO CATENA

La motosega è dotata di freno catena, che arresta sia il motore che il movimento della catena in caso di contraccolpo. Il freno catena è attivato dallo spostamento in avanti dell'impugnatura del freno, poiché la motosega ruota all'indietro durante il contraccolpo; è attivato anche dalle forze inerziali generate durante la rapida resistenza contraria.

AVVERTENZA! Non modificare mai o tentare di disattivare il freno catena.

Verificare che il freno catena funzioni correttamente prima di usare la motosega. L'impugnatura del freno catena deve muoversi facilmente in avanti e all'indietro.

- Per collaudare il funzionamento del freno catena, procedere come descritto di seguito (Fig. F).
- Posizionare la motosega su una superficie piana e liscia e verificare che nelle immediate vicinanze non siano presenti oggetti o ostruzioni che potrebbero entrare in contatto con la barra guida e la catena.
- Disattivare il freno catena spingendo l'impugnatura del freno catena verso l'impugnatura frontale.
- Avviare la motosega.
- Spingere l'impugnatura del freno catena anti-contraccolpo verso la parte anteriore della motosega. Se funziona correttamente, il freno catena arresterà immediatamente il movimento della catena. Se il

freno catena non funziona correttamente, non usare la motosega finché non è stata riparata da un tecnico qualificato.

F-1	Impugnatura del freno catena disattivato
F-2	Impugnatura del freno catena attivato

AVVERTENZA! Verificare che il freno catena funzioni correttamente prima di ogni utilizzo.

AVVERTENZA! Se il freno catena è ostruito da frammenti di legno potrebbe deteriorarsi. Mantenere l'apparecchio sempre pulito.

CATENA A RIDUZIONE DEL CONTRACCOLPO

L'aggetto di spoglia (limitatore di profondità) davanti a ogni dente può minimizzare la forza di reazione del contraccolpo evitando che il dente affondi troppo in profondità nell'area del contraccolpo. Usare esclusivamente catene di ricambio identiche alla catena originale o omologate.

ATTENZIONE! Poiché le catene vengono affilate durante la loro vita utile, col tempo perdono parte della loro qualità di riduzione del contraccolpo ed è necessario prestare particolare attenzione.

AVVERTENZE AGGIUNTIVE

- **La motosega è progettata per essere usata con entrambe le mani.** Usarla con una sola mano comporta il rischio di lesioni gravi all'operatore, ai suoi assistenti e/o altre persone presenti.
- **Evitare il contatto accidentale con i binari della barra guida o la catena** perché sono molto affilati. Indossare sempre guanti e pantaloni lunghi o sovrappantaloni durante la manipolazione della motosega, la catena o la barra guida.
- **Non usare mai la motosega se è danneggiata, regolata in modo improprio o assemblata solo parzialmente o scorrettamente.** Verificare che la catena della motosega smetta di muoversi al rilascio dell'interruttore a grilletto.
- **Prima del taglio, ispezionare il pezzo da lavorare per verificare che sia privo di chiodi, cavi o altri oggetti estranei.**
- **Durante il taglio in pezzi del tronco, fissare il pezzo da lavorare prima del taglio. Durante il taglio di abbattimento o la diramatura, identificare e fissare i rami pericolosi.**

- **Un taglio aggressivo o improprio o l'uso scorretto della motosega può causare l'usura prematura della barra, della catena e/o del pignone, o la rottura della catena o della barra, con il rischio di contraccolpo, lancio della catena o espulsione di materiale.**
- **Non usare ma la barra guida come leva.** Una barra di guida piegata può causare l'usura prematura della barra, della catena e/o del pignone, o la rottura della catena o della barra, con il rischio di contraccolpo, lancio della catena o espulsione di materiale.
- **Tagliare un solo pezzo da lavorare alla volta.**
- **Non ricaricare il gruppo batteria sotto la pioggia o in luoghi umidi.**
- **Pianificare il lavoro, rimuovere eventuali ostacoli dall'area di lavoro e, in caso di abbattimento, preparare almeno un percorso di fuga per l'albero in abbattimento.**
- **Durante l'abbattimento, tenere eventuali altre persone a una distanza pari ad almeno due volte l'altezza dell'albero.**
- **In caso di situazioni non contemplate in questo manuale, agire con cautela e usare il buon senso. Contattare il centro di assistenza EGO per assistenza.**

BARRA GUIDA

Questa motosega è dotata di una barra guida con punta a raggio ridotto. Generalmente, le punte a raggio ridotto diminuiscono il rischio di contraccolpo. Durante la sostituzione della barra guida, accertarsi di acquistare la barra specificata in questo manuale.

CONSERVARE QUESTE ISTRUZIONI!

IT

ALGEMENE VEILIGHEIDSWAARSCHUWINGEN VOOR ELEKTRISCH GEREEDSCHAP

⚠ WAARSCHUWING: Lees alle veiligheidswaarschuwingen, instructies, illustraties en specificaties die met het elektrisch gereedschap zijn meegeleverd. Het negeren van onderstaande instructies kan leiden tot een elektrische schok, brand en/of ernstig letsel

BEWAAR ALLE WAARSCHUWINGEN EN INSTRUCTIES VOOR TOEKOMSTIG GEBRUIK.

NL

De term "elektrisch gereedschap" in de waarschuwingen verwijst naar uw op het voedingsnet aangedreven (met kabel) elektrisch gereedschap of accu-aangedreven (snoerloos) elektrisch gereedschap.

VEILIGHEID OP DE WERKPLAATS

- **Houd uw werkplaats schoon en goed verlicht.** Rommelige of donkere ruimten kunnen ongevallen veroorzaken.
- **Gebruik geen elektrisch gereedschap in ruimten waar een explosieve atmosfeer kan ontstaan, bijvoorbeeld in de aanwezigheid van ontvlambare vloeistoffen, gassen of stof.** Elektrisch gereedschap creëert vonken, deze kunnen stof of dampen in brand steken.
- **Houd kinderen en omstanders uit de buurt wanneer u een elektrisch gereedschap bedient.** Afleiding kan tot controleverlies leiden.

ELEKTRISCHE VEILIGHEID

- **De stekker van het elektrisch gereedschap dient met het stopcontact overeen te stemmen. Pas de stekker op geen enkele manier aan. Gebruik geen adapterstekker met geaard elektrisch gereedschap.** Niet aangepaste stekkers en overeenkomstige stopcontacten beperken het risico op een elektrische schok.
- **Vermijd lichaamscontact met geaarde oppervlakken, zoals pijpleidingen, radiatoren, fornuizen of koelkasten.** Het risico op een elektrische schok is groter als uw lichaam geaard is.
- **Stel elektrisch gereedschap niet bloot aan regen of vochtige omstandigheden.** Water dat elektrisch gereedschap binnendringt, vergroot het risico op een elektrische schok.
- **Gebruik de kabel niet op een verkeerde manier. Gebruik de kabel nooit om het elektrisch gereedschap te dragen, te trekken of om de stekker uit het stopcontact te halen. Houd de**

kabel uit de buurt van hitte, olie, scherpe randen of bewegende onderdelen. Beschadigde of verstrikte kabels vergroten het risico op een elektrische schok.

- **Wanneer u een elektrisch gereedschap buitenshuis bedient, gebruik dan een verlengkabel die geschikt is voor gebruik buitenshuis.** Het gebruik van een kabel die voor gebruik buitenshuis geschikt is, verkleint het risico op een elektrische schok.
- **Als het gebruik van elektrisch gereedschap in een vochtige ruimte noodzakelijk is, gebruik dan een aardlekschakelaar.** Het gebruik van een aardlekschakelaar verkleint het risico op een elektrische schok.

PERSOONLIJKE VEILIGHEID

- **Wees waakzaam, let op wat u doet en gebruik uw gezond verstand wanneer u elektrisch gereedschap gebruikt. Gebruik het elektrisch gereedschap niet als u moe bent of onder de invloed bent van drugs, alcohol of medicijnen.** Een moment van onoplettendheid tijdens het gebruik van elektrische gereedschappen kan leiden tot ernstig persoonlijk letsel.
- **Gebruik persoonlijke beschermingsmiddelen. Draag altijd oogbescherming.** Beschermingsmiddelen zoals een stofmasker, slipvasteschoenen, veiligheidshelm of gehoorbescherming afhankelijk van de aard en het gebruik van het gereedschap verkleint het risico op persoonlijk letsel.
- **Vermijd dat het gereedschap per ongeluk wordt gestart. Zorg dat de schakelaar op de stand 'Uit' is ingesteld voordat u het gereedschap op een stroombron en/of accupack aansluit, vastneemt of draagt.** Het dragen van elektrisch gereedschap met uw vinger op de schakelaar of gereedschap ingeschakeld op de stroomvoorziening aansluiten kan ongevallen veroorzaken.
- **Verwijder instelsleutels of moersleutels voordat u het elektrisch gereedschap inschakelt.** Een instelsleutel of moersleutel in een draaiend deel van het elektrisch gereedschap achterlaten kan leiden tot persoonlijk letsel.
- **Reik niet te ver. Zorg er altijd voor dat u stevig en stabiel staat.** Dit zorgt ervoor dat u het elektrisch gereedschap in onverwachte situaties beter onder controle kunt houden.
- **Draag passende kleding. Draag geen los hangende kleding of sieraden. Houd uw haar, kleding en handschoenen uit de buurt van bewegende onderdelen.** Los hangende kleding, juwelen en lang haar kunnen in bewegende onderdelen verstrikt raken.

- **Wanneer de montage van stofafzuiging- of stofopvangvoorzieningen mogelijk is, dient u ervoor te zorgen dat deze juist aangesloten en gebruikt worden.** Het gebruik van voorzieningen voor stofopvang kan helpen om het risico in verband met stof te verlagen.
- **Word niet zelfingenomen door de ervaring die u heeft opgedaan door frequent gebruik, waardoor u dan de veiligheidswaarschuwingen negeert.** Een achteloze actie kan binnen een fractie van een seconde ernstig letsel veroorzaken

ELEKTRISCH GEREEDSCHAP GEBRUIKEN EN ONDERHOUDEN

- **Overbelast het elektrisch gereedschap niet. Gebruik het juiste elektrisch gereedschap voor uw toepassing.** Met het juiste elektrisch gereedschap werkt u beter en veiliger binnen het aangegeven vermogensbereik.
- **Gebruik het elektrisch gereedschap niet als de schakelaar niet kan worden in- en uitgeschakeld.** Elektrisch gereedschap dat niet kan worden in- of uitgeschakeld is gevaarlijk en moet worden gerepareerd.
- **Trek de stekker uit het stopcontact en/of verwijder het accupack voordat u het elektrisch gereedschap instelt, accessoires vervangt of het gereedschap opbergt.** Deze preventieve voorzorgsmaatregelen beperken het risico op onbedoeld starten van het elektrisch gereedschap.
- **Berg niet-gebruikt elektrisch gereedschap op buiten het bereik van kinderen en zorg ervoor dat personen die niet vertrouwd zijn met het gereedschap of die deze instructies niet hebben gelezen het gereedschap niet gebruiken.** Elektrisch gereedschap is gevaarlijk wanneer het door onervaren personen wordt gebruikt.
- **Onderhoud het elektrisch gereedschap en de accessoires. Controleer of de bewegende onderdelen correct functioneren en niet vastklemmen en of de onderdelen zodanig gebroken of beschadigd zijn dat de werking van het elektrisch gereedschap nadelig wordt beïnvloed. Laat een beschadigd elektrisch gereedschap eerst repareren voordat u het weer in gebruik neemt.** Vele ongevallen zijn het gevolg van slecht onderhouden elektrisch gereedschap.
- **Houd de snij-onderdelen scherp en schoon.** Zorgvuldig onderhouden snij-gereedschap met scherpe snijranden klemmen minder snel vast en zijn gemakkelijker te beheersen.

- **Gebruik het elektrisch gereedschap, accessoires, inzetgereedschap, etc. in overeenstemming met deze instructies en houd hierbij rekening met de werkomstandigheden en de uit te voeren werkzaamheden.** Het gebruik van elektrisch gereedschap voor andere dan de beoogde toepassingen kan tot gevaarlijke situaties leiden.
- **Houd de handgrepen en greepvlakken droog, schoon en vrij van olie en smeervet.** Gladde handgrepen en greepvlakken kunnen leiden tot onveilig gebruik en/of het verlies van de controle over het gereedschap.

ACCU-GEREEDSCHAP GEBRUIKEN EN ONDERHOUDEN

- **Opladen alleen met de lader die door de fabrikant is aangegeven.** Een lader die geschikt is voor een bepaald type accupack kan tot brandgevaar leiden wanneer hij gebruikt wordt met een ander accupack.
- **Gebruik elektrisch gereedschap alleen met het specifiek aangegeven accupack.** Het gebruik van andere accupacks kan risico op letsel en brandgevaar veroorzaken.
- **Wanneer u het accupack niet gebruikt, houd het uit de buurt van andere metalen voorwerpen zoals paperclips, munten, sleutels, spijkers, schroeven of andere kleine metalen voorwerpen die de twee aansluitklemmen kunnen verbinden.** Het kortsluiten van de aansluitklemmen kan brandwonden of brand veroorzaken.
- **Bij verkeerd gebruik kan er vloeistof uit de accu worden gespoten; vermijd elk contact. Als aanraking met de vloeistof toevallig plaatsvindt, spoel het dan af met water. Als de vloeistof in de ogen komt, dient u onmiddellijk een arts te consulteren.** Vloeistof dat uit de accu wordt uitgespoten kan irritatie of brandwonden veroorzaken.
- **Gebruik een accupack of gereedschap dat is beschadigd of aangepast niet.** Beschadigde of aangepaste accu's kunnen resulteren in onvoorzien gedrag zoals brand, explosie of het risico op letsel.
- **Stel een accupack of gereedschap niet bloot aan vuur of excessieve temperaturen.** Blootstelling aan vuur of temperaturen boven 130°C kunnen leiden tot een explosie.
- **Neem alle laadinstructies in acht en laad het accupack of het gereedschap niet buiten het gespecificeerde temperatuurbereik in de handleiding op.** Het onjuist laden of bij een temperatuur buiten het temperatuurbereik kan de accu beschadigen en er bestaat een gevaar op brand.

SERVICE

- **Laat uw elektrisch gereedschap repareren door een gekwalificeerde reparateur en alleen met identieke reserve-onderdelen.** Dit waarborgt de veiligheid van het elektrisch gereedschap.
- **Repareer beschadigde accupacks nooit.** Onderhoud van accupacks mag alleen worden uitgevoerd door de fabrikant of een geautoriseerde dienstverlener.

KETTINGZAAG VEILIGHEIDSWAARSCHUWINGEN

NL

- **Houd alle lichaamsdelen uit de buurt van de zaagketting wanneer de kettingzaag wordt gebruikt. Voordat u de kettingzaag start, dient u te controleren dat de zaagketting niets aanraakt.** Een moment van onoplettendheid bij het gebruik van de kettingzaag kan verstengeling van uw kleding of lichaam met de ketting veroorzaken.
- **Houd de kettingzaag altijd met uw rechterhand op de achterste handgreep en uw linkerhand op de voorste handgreep vast.** Als u de kettingzaag met de handen andersom vasthoudt, verhoogt het risico op persoonlijk letsel en dit mag nooit gebeuren.
- **Houd de kettingzaag alleen vast aan de geïsoleerde greepvlakken, omdat de kettingzaag in contact kan komen met verborgen kabels.** Bij kettingzagen die in contact komen met onder stroom staande kabels, kunnen ook de metalen onderdelen van het elektrisch gereedschap onder stroom komen te staan en de bediener een elektrische schok geven.
- **Draag oogbescherming. Verder beschermende uitrusting voor gehoor, hoofd, handen, benen en voeten wordt aanbevolen.** Adequate beschermende kleding vermindert het risico op persoonlijk letsel als gevolg van rondvliegend vuil of per ongeluk contact met de zaagketting.
- **Gebruik de kettingzaag niet in een boom, op een ladder, vanaf het dak, of iedere andere onstabiele ondergrond.** Het gebruik van de kettingzaag op deze manier kan resulteren in ernstig persoonlijk letsel.
- **Zorg altijd voor een stabiele stand terwijl u de kettingzaag gebruikt. Sta altijd op een stevige, veilige en vlakke ondergrond.** Gladde of instabiele oppervlakken zoals ladders kunnen een verlies van evenwicht of de controle van de kettingzaag veroorzaken.
- **Terwijl u in een voorwerp dat onder spanning staat zaagt, moet u met een terugslag rekenen.** Als de spanning in de houtvezels verdwijnt kan het onder spanning staande voorwerp de bediener raken en/of de kettingzaag oncontroleerbaar maken.
- **Wees uiterst voorzichtig bij het zagen van takken en jonge boompjes.** Het dunne materiaal kan door de

zaagketting worden vastgegrepen en in uw richting worden geslingerd of u uit balans brengen.

- **Draag de kettingzaag aan de voorste handgreep met de kettingzaag uitgeschakeld en uit de buurt van uw lichaam. Tijdens het transport of de opslag van de kettingzaag dient u altijd de kettingzaaghoes te gebruiken.** Een correcte omgang met de kettingzaag vermindert het risico op per ongeluk contact met de bewegende zaagketting.
- **Volg de instructies over smering, spanning van de ketting en het vervangen van accessoires.** Incorrect gespannen of gesmeerde kettingen kunnen stuk gaan of het risico op een terugslag verhogen.
- **Houd de handgrepen droog, schoon en vrij van olie en smeervet.** Vettige, olieachtige handgrepen zijn glad waardoor u de controle kunt verliezen.
- **Zaag alleen hout. Gebruik de kettingzaag alleen voor het beoogde doeleinde. Bijvoorbeeld: Gebruik de kettingzaag niet voor het zagen van kunststof, metselwerk of niet-houten bouwmaterialen.** Het gebruik van de kettingzaag voor andere dan de voorziene toepassingen kan tot gevaarlijke situaties leiden.
- **Probeer niet een boom te kappen totdat u de risico's hiervan begrijpt en deze weet te voorkomen.** Ernstig letsel voor de bediener of omstanders kan het gevolg zijn tijdens het kappen van een boom.

OORZAKEN EN PREVENTIE VAN EEN TERUGSLAG

Een terugslag kan optreden wanneer de neus of de punt van het zaagblad een voorwerp aanraakt of als het hout steviger wordt en de zaagketting in de zaagsnede vast houdt (afb. A).

Het contact van de punt kan een plotselinge tegengestelde reactie veroorzaken, waardoor het zaagblad naar boven en naar achteren in richting van de gebruiker wordt geslingerd (afb. B).

De kettingzaag langs de bovenkant van het zaagblad gebruiken kan het zaagblad snel terug laten slingeren in richting van de gebruiker (afb. C).

Een van deze reacties kan tot het verlies van controle van de zaag leiden wat in ernstig persoonlijk letsel kan resulteren. Vertrouw niet uitsluitend op de veiligheidsvoorzieningen die zijn ingebouwd in uw zaag.

Als gebruiker van de kettingzaag dient u enkele stappen te ondernemen om uw zaagwerk vrij van ongelukken of letsel te houden.

Een terugslag is het resultaat van het verkeerd gebruik en/of verkeerde bediening of werkomstandigheden en kan worden voorkomen door de juiste voorzorgsmaatregelen te nemen:

Behoud een stevige greep, met de duimen en vingers om de handgrepen van de kettingzaag, en beide handen op de zaag en breng uw lichaam en armen in een positie waar u de krachten van de terugslag kunt opvangen (afb. D). De krachten van een terugslag kunnen door de bediener worden opgevangen als er geschikte voorzorgsmaatregelen worden genomen. Laat de kettingzaag niet los.

- **Leun niet naar voren en zaag niet boven schouderhoogte.** Dit helpt onbedoeld contact van de punt te voorkomen en maakt een betere controle van de kettingzaag en onverwachte situaties mogelijk.
- **Gebruik alleen vervangende zwaarden en kettingen die door de fabrikant worden aangeraden.** Verkeerde vervangende zwaarden en kettingen kunnen ertoe leiden dat de ketting breekt en/of een terugslag.
- **Neem de slijp- en onderhoudsinstructies voor de kettingzaag van de fabrikant in acht.** Het verminderen van de diepte kan leiden tot een verhoogde terugslag.
- **Zorg ervoor dat het gebied waar u werkt vrij van obstakels is.** Vermijd contact van de neus van het zaagblad met een blok, tak, hek of welk ander obstakel dan ook terwijl u de zaag gebruikt.
- **Zaag altijd op volle toeren.** Druk de drukschakelaar helemaal in en houd de zaag op snelheid.
- **Met een basiskennis van terugslag kunt u het verrassingsmoment verminderen of elimineren.** Plotselinge verrassingen dragen bij aan ongevallen.
- **Zorg er altijd voor dat u stevig en stabiel staat.**
- **Drukken en trekken** - de reactiekracht is altijd in de tegengestelde richting van de beweging van ketting waar contact wordt gemaakt met het hout. Daarom moet de bediener gereed zijn om de TREK te controleren als hij met het onderste gedeelte van het zaagblad zaagt, en de DRUK als hij langs het bovenste gedeelte zaagt (afb. E).

TERUGSLAG VEILIGHEIDSINRICHTINGEN VAN DEZE KETTINGZAAG

KETTINGREM

De kettingzaag is uitgerust met een kettingrem, die zowel de motor en de beweging van de ketting in geval van een terugslag stopt. De kettingrem kan geactiveerd worden door de voorwaartse beweging van de ketting terugslag remhendel als de zaag naar achteren draait tijdens de terugslag; hij kan ook geactiveerd worden door de traagheidskrachten die ontstaan door een snelle terugslag.

⚠ WAARSCHUWING: Pas de kettingrem nooit aan en probeer hem nooit buiten werking te zetten.

Zorg ervoor dat de kettingrem correct werkt voordat u de kettingzaag in gebruik neemt. De ketting terugslag remhendel moet makkelijk heen en weer kunnen bewegen.

Om de werking van de kettingrem te testen, voert u de volgende stappen uit (afb. F):

- Plaats de kettingzaag op een vlak oppervlak en zorg ervoor dat zich geen voorwerpen of obstakels in de directe omgeving bevinden die in contact kunnen komen met het zaagblad en de ketting.
- Laat de kettingrem los door de ketting terugslag remhendel naar de voorste handgreep te bewegen.
- Start de kettingzaag.
- Druk de ketting terugslag remhendel naar de voorzijde van de zaag. Een goed werkende handrem zal de beweging van de ketting direct onderbreken. Als de kettingrem niet goed werkt, mag u de motorkettingzaag niet gebruiken totdat hij is gerepareerd door een gekwalificeerde servicemonteur.

F-1	Ketting terugslag remhendel in gebruikspositie
F-2	Ketting terugslag remhendel in rempositie

⚠ WAARSCHUWING: Controleer of de kettingrem goed werkt voor elk gebruik.

⚠ WAARSCHUWING: Als de kettingrem wordt verstopt door houtsnippers, kan de werking van de kettingrem verslechteren. Houd het toestel altijd schoon.

ZAAGKetting MET GERINGE TERUGSLAG

De harken (dieptemeters) voorop aan iedere zaag kunnen de kracht van een terugslagreactie verminderen door te voorkomen dat de zaag te diep in de terugslagzone zaagt. Gebruik alleen een vervangende ketting die gelijkwaardig is aan de originele ketting en die gecertificeerd is.

⚠ OPGELET: Aangezien kettingzagen gedurende hun levensduur worden geslepen, verliezen zij een beetje van de geringe terugslag kwaliteiten waardoor u extra oplettend dient te zijn.

AANVULLENDE WAARSCHUWINGEN

- **Een kettingzaag is bedoeld voor tweehandig gebruik.** Ernstig letsel van de bediener, helpers en/of omstanders kunnen het gevolg zijn van eenhandige bediening.

- **Voorkom onbedoeld contact met de stationaire zaagketting of zaagbladgeleidingen.** Deze kunnen zeer scherp zijn. Draag altijd handschoenen en een lange broek of chaps tijdens het hanteren met de kettingzaag, zaagketting, of het zaagblad.
- **Gebruik nooit een beschadigde of niet correct aangepaste of niet compleet of veilig gemonteerde kettingzaag.** Zorg ervoor dat de zaagketting stopt als de drukschakelaar wordt losgelaten.
- **Inspecteer het werkstuk op spijkers, draden of vreemde voorwerpen voordat u begint met zagen.**
- **Bij het inkorten dient u het werkstuk vast te zetten voorafgaand aan het zagen.** Tijdens het kappen of snoeien, dient u de gevaarlijke takken te beveiligen.
- **Agressief zagen of misbruik van de kettingzaag kan voortijdig slijtage van het zaagblad, de ketting en/of kettingwiel veroorzaken, maar ook een gebroken zwaard of blad, het veroorzaken van een terugslag of het uitwerpen van materiaal.**
- **Gebruik het zaagblad nooit als hefboom.** Een gebogen zaagblad kan voortijdig slijtage van het zaagblad, de ketting en/of kettingwiel veroorzaken, maar ook een gebroken ketting of blad, het veroorzaken van een terugslag of het uitwerpen van materiaal.
- **Zaag slechts één werkstuk per keer.**
- **Laak het accupack niet op als het regent of in een natte omgeving.**
- **Plan het werk, zorg ervoor dat uw werkgebied vrij van obstakels is en in geval van kappen dient u voor tenminste één vluchtweg weg van de vallende boom te zorgen.**
- **Tijdens het kappen dient u omstanders op tenminste twee boomlengten afstand te houden.**
- **Als er zich situaties voordoen welke niet in deze handleiding zijn behandeld, gebruik uw gezond verstand. Neem contact op met de klantenservice van EGO als u hulp nodig heeft.**

ZAAGBLAD

Deze zaag is uitgerust met een zaagblad dat een neus met kleine radius heeft. Neuzen met kleine radii hebben over het algemeen een geringere kans op terugslag. Als u het zaagblad vervangt, dient u ervoor te zorgen, dat deze ook in de lijst van deze gebruiksaanwijzing staat.

BEWAAR DEZE GEBRUIKSAANWIJZING!

GENERELLE SIKKERHEDSADVARSLER OM ELEKTRISKE APPARATER

⚠ ADVARSEL: Læs alle sikkerhedsadvarsler, anvisninger, illustrationer og specifikationer, der følger med dette elværktøj. Hvis anvisningerne nedenfor ikke følges, kan det føre til elektrisk stød, brand og/eller alvorlig personskade

GEM ALLE ADVARSLER OG INSTRUKTIONER TIL FREMTIDIG REFERENCE.

Udtrykket "elværktøj" i advarselne henviser til eldrevet (ledningsforbundet) og batteridrevet (ledningsfrit) elværktøj.

SIKKERHED PÅ ARBEJDSPLADSEN

- **Sørg for, at arbejdsområdet er rent og godt belyst.** Et rodet eller mørkt område kan føre til ulykker.
- **Brug ikke elværktøj i eksplosive atmosfærer, såsom ved tilstedeværelse af brændbare væsker, gasser eller støv.** Elværktøj kan slå gnister og antænde støv og dampe.
- **Hold børn og tilskuere på afstand, når et elværktøj er i brug.** Distractioner kan medføre, at du mister kontrollen.

SIKKERHED OMKRING ELEKTRICITET

- **Stikket på elværktøjet skal passe i stikkontakten.** Stikket må på ingen måde ændres. Jordforbundet elværktøj må ikke bruges med et adapterstik. Når der ikke ændres på stikket og det passer i stikkontakten, reduceres risikoen for elektrisk stød
- **Undgå kropskontakt med jordforbundne overflader, såsom rør, radiatorer, komfurer og køleskabe.** Der er øget risiko for elektrisk stød, hvis din krop er jordforbundet.
- **Elværktøj må ikke udsættes for regn eller våde forhold.** Vand kommer ind et elværktøj øger risikoen for elektrisk stød.
- **Ledningen må ikke mishandles. Brug aldrig ledningen til at bære eller trække elværktøjet eller til at trække stikket ud af stikkontakten. Hold ledningen væk fra varme, olie, skarpe kanter og bevægelige dele.** Beskadigede eller sammenfiltrede ledninger, øger risikoen for elektrisk stød.
- **Når et elværktøj bruges udendørs, skal der bruges en forlængerledning, der er egnet til udendørs brug.** Brug af en egnet ledning til udendørs brug, reducerer risikoen for elektrisk stød.
- **Hvis et elværktøj skal bruges på et fugtigt**

sted, skal du bruge en strømforsyning med et fejlstrømsrelæ. Brug af et fejlstrømsrelæ, reduceres risikoen for elektrisk stød.

PERSONLIG SIKKERHED

- **Vær forsigtig, hold øje med hvad du laver, og brug din sunde fornuft, når du bruger et elværktøj. Brug ikke apparatet, hvis du er træt eller er påvirket af narkotika, alkohol eller medicin.** Et øjeblikks uopmærksomhed, kan føre til alvorlige personskader.
- **Brug personligt beskyttelsesudstyr. Brug altid beskyttelsesbriller.** Værnemidler, såsom støvmaske, skridsikre sikkerhedssko, hjelm eller høreværn, der anvendes under passende betingelser, nedsætter risikoen for personskade.
- **Forhindre utilsigtet start. Sørg for, at tænd/slukknappen er slukket, inden apparatet sluttes til strømkilden eller batteripakken, samt inden det løftes op eller bæres rundt.** Hvis elværktøjet bæres med fingeren på kontakten, eller oplades med tænd/sluk-knappen tændt, øger det risikoen for ulykker.
- **Fjern indstillingsværktøj eller skruenøgler, før elværktøjet startes.** En skruenøgle eller en nøgle sidder i en roterende del af elektrisk værktøj, kan resultere i personskade.
- **Undgå at række for langt frem. Sørg altid for at stå ordentligt fast og i god balance.** Dette giver bedre kontrol af det elektriske værktøj når uventede situationer.
- **Kjole ordentligt. Brug ikke løstsiddende tøj eller smykker. Hold dit hår, tøj og handsker fra bevægelige dele.** Løse tøj, smykker eller langt hår kan blive fanget i bevægelige dele.
- **Hvis der monteres tilbehør til opsamling af støv eller andet, skal det sikres, at disse monteres og bruges korrekt.** Anvendelse af støvanordninger kan mindske støvrelaterede risici.
- **Selvom du ofte bruger og har et godt kendskab til værktøjet, må du ikke være overmodig eller glemme sikkerhedsprincipperne.** En uagtsom handling kan forårsage alvorlig skade i en brøkdæl af et sekund

BRUG OG PLEJE AF ELVÆRKTØJET

- **Elværktøjet må ikke tvinges under brug. Brug den korrekte elværktøj til din ansøgning.** Det korrekte elværktøj gør arbejdet bedre og mere sikkert, da det er beregnet til formålet.
- **Brug ikke elværktøjet, hvis kontakten ikke kan tænde og slukke.** Alt elværktøj, hvor kontakterne ikke dur, er farligt og skal repareres.

DK

- **Træk stikket til apparatets strømforsyning ud af stikkontakten og/eller fjern batteripakken, inden du foretager justeringer, skifter tilbehør eller lægger elværktøjet til opbevaring.** Sådanne forebyggende sikkerhedsforanstaltninger mindsker risikoen for at starte elværktøjet utilsigtet.
- **Opbevar ubenyttet elværktøj utilgængeligt for børn, og tillad ikke personer, der ikke kender elværktøjet eller disse anvisninger, at benytte elværktøjet.** Elværktøj er farligt i hænderne på brugere, der ikke kender dets rette brug.
- **Vedligehold elværktøj og tilbehør. Kontroller, at de bevægelige dele ikke er fejljusterede eller binder eller er i en tilstand, der kan påvirke elværktøjets drift. Få beskadigede elværktøjet repareret før brug.** Mange ulykker er forårsaget af dårligt vedligeholdt elværktøj.
- **Hold skæreværktøj skarpe og rene.** Skæreværktøjer med skarpe kanter, der vedligeholdes ordentligt, er mindre tilbøjelige til at binde og er lettere at styre.
- **Elværktøjet, tilbehør og bits osv. skal bruges i overensstemmelse med disse instruktioner, hvor arbejdsforholdene og arbejdet, der skal udføres, skal tages i betragtning.** Anvendelse af elværktøj til andre formål end dem, de er beregnet til, kan medføre en farlig situation.
- **Hold håndtag og gribeblader tørre, rene og fri for olie og fedt.** Glatte håndtag og overflader, der griber fat, kan medføre usikker håndtering og/eller tab af kontrollen over værktøjet.

BATTERIVÆRKTØJETS BRUG OG PLEJE

- **Genoplad kun med opladeren er angivet af fabrikanten.** Hvis en oplader, der er egnet til én slags batteri, bruges med en anden slags batteri, kan det føre til brand.
- **Anvend kun elektrisk værktøj med særligt udpegede batteripakker.** Brug af andre batterier kan skabe risiko for personskade og brand.
- **Når batteripakken ikke er i brug, skal den holdes væk fra andre metalgenstande som papirclips, mønter, nøgler, søm, skruer eller andre små metalgenstande, der kan skabe forbindelse fra en pol til en anden.** Shorting batteripolerne sammen kan forårsage forbrændinger eller brand.
- **Ved forkert anvendelse kan der slippe væske ud af batteriet: Undgå kontakt.** Hvis det alligevel skulle ske, skylles med vand. Hvis væsken kommer i øjnene, skal man også søge læge. Væske fra batteriet kan forårsage irritation eller forbrændinger.
- **Anvend ikke et batteri eller et værktøj, der er beskadiget eller modificeret.** Beskadigede eller

modificerede batterier kan opføre sig uforudsigeligt og forårsage brand, eksplosion eller risiko for personskade.

- **Udsæt ikke et batteri eller et værktøj for ild eller for høj temperatur.** Udsættelse for ild eller temperaturer over 130 °C kan forårsage eksplosion.
- **Følg alle anvisninger vedrørende opladning, og oplad ikke batteriet eller værktøjet uden for temperaturområdet angivet i anvisningerne.** Forkert opladning eller temperaturer uden for det angivne område kan beskadige batteriet og øge risikoen for brand.

SERVICE

- **Har Elektrisk værktøj skal serviceres af en kvalificeret reparatør kun bruger originale reservedele.** På denne måde sikrer man, at elværktøjet forbliver sikkert at bruge.
- **Udfør aldrig selv service på beskadigede batterier.** Service på batterier bør kun udføres af producenten eller godkendte servicecentre.

SIKKERHEDSADVARSLER OM MOTORSAVEN

- **Hold alle dele af kroppen væk fra motorsaven, når den er i brug. Inden motorsaven startes, skal du sørge for at savkæden ikke røre ved noget.** Et øjeblik uopmærksomhed, når motorsaven bruges, kan gøre at dit tøj eller krop kommer i kontakt med kæden.
- **Hold altid motorsavet med højre hånd på det bageste håndtag og din venstre hånd på den forreste håndtag.** Hvis motorsaven holdes omvendt, øges risikoen for personskader og dette må aldrig gøres.
- **Hold kun kædesaven på de isolerede gribeoverflader, da den kan komme i kontakt med skjult ledningsføring.** Sagkæder, der kommer i kontakt med en strømførende ledning, kan gøre udsatte metaldele på elværktøjet strømførende og kan give brugeren elektrisk stød.
- **Brug øjenbeskyttelse. Yderligere beskyttelsesudstyr til høreale, hoved, hænder, ben og fødder anbefales.** Tilstrækkelig beskyttelsesbeklædning reducerer personskader fra flyvende affald eller fra utilsigtet kontakt med savkæden.
- **Brug ikke en kædesav i et træ, på en stige, fra et tag eller på en ustabil støtte.** Brug af en kædesav på denne måde kan føre til alvorlige personskader.
- **Sørg altid for at holde ordentlig fodfæste og brug kun motorsaven når du står på en fast, sikker og plan overflade.** Hvis man står på glatte eller ustabile overflader, såsom stiger, kan man miste balancen og kontrollen over motorsaven.

DK

- **Hvis man saver en gren over, der sidder i spænd, kan den svirpe hårdt tilbage.** Når spændingen i træfibrene frigøres, kan den fjederbelastede stamme ramme brugeren og/eller slynge motorsaven ud af kontrol.
- **Vær meget forsigtig, hvis du saver buske og små træer.** Tynde grene kan komme i klemme i savkæden, og slynges mod dig eller trække dig ud af balance.
- **Motorsaven skal altid bæres i det forreste håndtag, og være slukket og væk fra kroppen. Sværdsleden skal altid sætte på savsværdet, når motorsaven transporteres eller opbevares.** Når motorsaven bruges korrekt, reduceres sandsynligheden for utilsigtet kontakt med savkæden.
- **Følg instruktionerne til smøring, kædestramning og ændring af tilbehør.** Hvis savkæden strammes eller smøres forkert, kan den gå i stykker og det kan forøge risikoen for tilbageslag.
- **Hold håndtag tørre, rene og fri for olie og fedt.** Oliebelagte og fedtede håndtag er glatte, og gør det svært at styre stangsaven.
- **Sav kun i træ. Motorsaven må ikke bruges til andet, end hvad den er beregnet til. For eksempel: Motorsaven må ikke bruges til at save i plast, murværk eller ikke-træbaserede byggematerialer.** Hvis en motorsav bruges til andet, end hvad den er beregnet til, kan det føre til en farlig situation.
- **Forsøg ikke at fælde et træ, før du har forståelse for risiciene, og hvordan du undgår dem.** Der kan forekomme alvorlig skade på brugeren eller de tilskuere, når et træ fældes.
- **Hold ordentligt fast i håndtagene, med tommelfingrene og fingrene fast omkring håndtagene, og med begge hænder på saven. Placer din krop og arm, så du kan modstå evt. tilbageslag (fig. D).** Tilbageslag kan styres af brugeren, hvis de passende forholdsregler tages i brug. Motorsaven må ikke slippes.
- **Undgå, at række for langt ud, og undgå at save over skulderhøjde.** Dette hjælper med at forhindre utilsigtede kontakt med sværdspiden, og giver bedre kontrol over motorsaven i uventede situationer.
- **Brug kun sværd og kæder, der er angivet af fabrikanten.** Hvis der bruges forkerte sværd eller kæder, kan kæden gå i stykker, eller motorsaven kan give tilbageslag.
- **Følg fabrikantens vejledninger for slibning og vedligeholdelse.** Hvis højden på dybdemåleren reduceres, forøges chancen for tilbageslag.
- **Sørg for at området, hvor du skal save, er fri for forhindringer.** Undgå, at sværdspiden kommer i kontakt med et træstamme, grene, et hegn eller andre genstande, der kan rammes, når motorsaven er i brug.
- **Motorsaven skal altid køre på fuld hastighed, når du saver.** Tryk gasknappen helt i bund, og oprethold savehastigheden.
- **Når du har en grundlæggende forståelse af tilbageslag, kan du reducere eller eliminere uforudsigelige tilbageslag.** Pludselige tilbageslag kan føre til ulykker.
- **Sørg altid for at stå ordentligt fast og i god balance.**
- **Tryk og træk** - reaktionsstyrken er altid modsat kædens retning, hvor der er kontakt med træet. Det vil sige at brugeren altid skal være klar til at TRÆKKE, når den nederste kant af stammen saves over, og til at TRYKKE, når den øverste kant saves over (fig. E).

DK

ÅRSAGER TIL OG FORHINDRING AF TILBAGESLAG

Motorsaven kan give tilbageslag, hvis spidsen af sværdet rører en genstand, eller hvis savkæden sidder i klemme et træ (fig. A)

Hvis spidsen kommer i kontakt med en genstand, kan motorsaven give tilbageslag, og slynge sværdet opad og tilbage mod brugeren (fig. B).

Hvis savkæden for enden af sværdet kommer i klemme, kan sværdet slynge hurtigt tilbage mod brugeren (fig. C).

Ved begge disse reaktioner kan man miste kontrollen med saven, hvilket kan føre til alvorlige personskader. Man må ikke blindt stole på de indbyggede sikkerhedsanordninger i motorsaven.

Som bruger af motorsaven, skal man tage bestemte forholdsregler i brug, for at forhindre ulykker og skader.

Tilbageslag sker hvis værktøjet misbruges og/eller bruges forkert eller i forkerte forhold. Disse kan undgås ved at tage følgende forholdsregler i brug:

SIKKERHEDSENHEDER MOD TILBAGESLAG PÅ DENNE MOTORSAV

KÆDEBREMSEN

Motorsavet er udstyret med en kædebremse, som stopper både motoren og kæden, hvis der opstår et tilbageslag. Kædebremsen kan aktiveres ved at trykke kædebremsehåndtaget fremad, hvis saven slynger bagud under et tilbageslag. Den kan også aktiveres af den interne styrke, der genereres under et hurtigt tilbageslag.

⚠ ADVARSEL: Kædebremsen må aldrig ændres eller deaktiveres.

Sørg for at kædebremsen fungerer ordentligt, inden motorsaven tages i brug. Kædebremsehåndtaget skal nemt kunne trykkes frem og tilbage.

- Kædebremsen kan testes på følgende måde (fig. F):
- Stil motorsaven på en flad overflade, og sørg for at der ikke er nogen nærliggende genstande eller forhindringer, der kan komme i kontakt med sværdet og kæden.
- Løsn kædebremsen ved at trække kædebremsehåndtaget mod det forreste håndtag.
- Start motorsavet.
- Tryk kædebremsehåndtaget mod savens forside. En velfungerende håndbremse stopper straks kæden. Hvis kædebremsen ikke fungerer korrekt, må motorsaven ikke bruges, før den er blevet repareret af en autoriseret servicetekniker.

DK

F-1	Kædebremsehåndtaget er slået til
F-2	Kædebremsehåndtaget er i bremseindstillingen

⚠ ADVARSEL: Sørg for at kædebremsen virker ordentligt, inden hvert brug.

⚠ ADVARSEL: Hvis kædebremsen er tilstoppet med træflis, virker den muligvis ikke ordentligt. Enheden skal altid holdes ren.

SAVKÆDE MED LILLE CHANCE FOR TILBAGESLAG

En måling af savedybden før hver savning kan reducere kraften på et tilbageslag, ved at forhindre saven i at save for dybt ind i området, hvor tilbageslag kan opstå. Kæden må kun skiftes med en kæde, der svarer til den originale kæde eller en godkendt kæde.

⚠ ADVARSEL: Som kæder slibes i løbet af deres levetid, får de en større tendens til at give tilbageslag, så man skal være ekstra forsigtig, når disse bruges.

YDERLIGERE ADVARSLER

- **En motorsav skal bruges med begge hænder.** Hvis den bruges med en hånd, kan det føre til alvorlige skader på brugeren, hjælpere og/eller personer i nærheden.
- **Undgå, at røre ved kæden, selvom den ikke kører rundt, og undgå at røre ved kanten på savsværdet.** Disse kan være meget skarpe. Brug altid handsker og langbukser, når motorsaven, kæden og sværdet håndteres.

- **En motorsav, der er beskadiget eller forkert justeret eller som ikke er samlet helt og sikkert, må aldrig bruges.** Sørg for at savkæden stopper, når gasknappen slippes.
- **Se træet efter for søm, kabler og andre genstande, inden det saves i stykker.**
- **Hvis der saves træ på en bukke, skal du sørge for at spænde træet fast, inden det saves over. Ved fældning eller beskæring, skal du holde øje med farlige grene og save dem sikkert over.**
- **Aggressiv eller grov savning eller misbrug af motorsaven kan hurtigt nedslide sværdet, kæden og/eller tandhjulet, og kan ødelægge kæden eller sværdet, som kan føre til tilbageslag, kædebrud eller udslyngning af materialer.**
- **Motorsaven må aldrig løftes i sværdet.** Et bøjet sværd kan nedslide sværdet, kæden og/eller tandhjulet for hurtigt og kan ødelægge kæden eller sværdet, som kan føre til tilbageslag, kædebrud eller udslyngning af materialer.
- **Sav kun ét stykke over ad gangen.**
- **Batteripakken må ikke oplades i regn eller på våde steder.**
- **Planlægge arbejdet, og sørg for at arbejdsområdet er fri for genstande. Ved fældning, skal der være mindst én fri gang væk fra det faldende træ.**
- **Ved fældning, skal omkringstående personer mindst være to træ-længder væk.**
- **Hvis der opstår situationer, som ikke er beskrevet i denne brugsvejledning, skal du være forsigtig og bruge din sunde fornuft. Kontakt EGO's kundeservice for hjælp.**

SAVSVÆRDET

Denne sav er udstyret med et sværd, hvis spids har en lille radius. En spids med en lille radius har generelt mindre tilbøjelighed til at give tilbageslag. Hvis sværdet skal skiftes, skal du sørge for at bestille et sværd fra denne vejledning.

GEM DISSE ANVISNINGER

ALLMÄNNA SÄKERHETSVARNINGAR FÖR ELVERKTYG

⚠ VARNING: Läs igenom alla säkerhetsvarningar, instruktioner, illustrationer och specifikationer som medföljer detta motordrivna verktyg. Underlåtenhet att följa alla instruktioner som listas nedan kan resultera i elektriska stötar, brand och/eller allvarliga personskador

SPARA ALLA VARNINGAR OCH INSTRUKTIONER FÖR FRAMTIDA REFERENS

Termen "elverktyg" i varningarna syftar på ditt starkströmsdrivna (sladdanslutna) elverktyg eller batteridrivna (sladdlösa) elverktyg.

ARBETSPLATSSÄKERHET

- **Håll arbetsområdet rent och ordentligt upplyst.** Belamrade eller mörka områden inbjuder till olyckor.
- **Använd inte motordrivna verktyg i explosiva miljöer som t.ex. i närvaron av brandfarliga vätskor, gaser eller damm.** Elverktyg skapar gnistor vilka kan antända dammet eller ångorna.
- **Håll barn och åskådare borta medan elverktyget arbetar.** Störningarna kan göra att du tappar kontrollen.

ELEKTRISK SÄKERHET

- **Elverktygets kontakter måste matcha uttaget.** Modifiera aldrig kontakten på något sätt. Använd inte några adapterkontakter med jordanslutna (jordade) elektriska verktyg. Kontakter som ej är modifierade och matchande uttag minskar risken för elektriska stötar
- **Undvik kroppskontakt med jordanslutna eller jordade ytor såsom rör, värmeelement, spisar och kylskåp.** Det finns en ökad risk för elektrisk stöt om din kropp är jordansluten eller jordad.
- **Utsätt inte elverktyg för regn eller våta förhållanden.** Vatten som kommer in i ett elektriskt verktyg ökar risken för elektriska stötar.
- **Vanvärda inte sladden.** Använd aldrig kabeln för att bära, släpa eller dra ut kontakten för elverktyget. Håll kabeln borta från värme, olja, skarpa kanter och rörliga delar. Skadade eller tilltrasslade sladdar ökar risken för elektrisk stöt.
- **Vid användning av motordrivna verktyg utomhus, använd en förlängningskabel som är avsedd för utomhusbruk.** Användning av en sladd som passar för utomhusanvändning minskar risken för elektrisk stöt.
- **Om arbete med ett elverktyg i en fuktig lokal är**

oundvikligt, använd ett uttag som är skyddat med jordfelsbrytare. Användning av en jordfelsbrytare minskar risken för elektriska stötar.

PERSONLIG SÄKERHET

- **Var uppmärksam och observant samt använd sunt förnuft när du använder ett elverktyg. Använd inte ett motordrivet verktyg om du är trött eller under påverkan av droger, alkohol eller medicin.** Ett ögonblick av ouppmärksamhet under arbete med elverktyg kan resultera i allvarliga personskador.
- **Använd personlig skyddsutrustning. Använd alltid skyddsglasögon.** Minska risken för personskador genom att använda skyddsutrustning som t.ex. ansiktsmask, halkfria skyddsskor, hjälm och hörselskydd.
- **Förebygg oavsiktlig igångsättning. Se till att strömbrytaren är i frånläge innan du ansluter till strömkällan och/eller batteripaketet, plockar upp eller bär verktyget.** Att bära elverktyget med fingret på strömbrytaren eller verktyg som är påslagna inbjuder till olyckor.
- **Ta bort inställningsnycklar eller skiftnycklar innan elverktyget slås på.** En skiftnyckel eller en nyckel som sitter kvar på en roterande del av elverktyget kan resultera i personskada.
- **Sträck dig inte för långt. Ha ordentligt fotfäste och balans hela tiden.** Detta möjliggör bättre kontroll av elverktyget i oväntade situationer.
- **Klä dig på lämpligt sätt. Använd inte löst sittande kläder eller smycken. Håll ditt hår, kläder och handskar borta från rörliga delar.** Löst sittande kläder, smycken och långt hår kan fastna i rörliga delar.
- **Om enheter för anslutning av dammuppsamlare finns tillgängliga, se till att de är anslutna och används på korrekt sätt.** Användning av dammuppsamlare kan minska dammrelaterade faror.
- **Var alltid uppmärksam vid användning av verktyget, även efter många användningstillfällen, och ignorera inte verktygets säkerhetsprinciper.** En vårdslös handling kan orsaka allvarliga personskador inom bråkdelen av en sekund

ELVERKTYG ANVÄNDNING OCH SKÖTSEL

- **Forcera inte elverktyget. Använd ett korrekt elverktyg för din tillämpning.** Ett korrekt elverktyg utför jobbet bättre och säkrare om det används för rätt tillämpning.
- **Använd inte elverktyget om strömbrytaren inte kan slås på eller stängas av.** Ett elverktyg som inte kan kontrolleras med strömbrytaren är farligt och måste repareras.

SE

- **Koppla ifrån kontakten från strömkällan och/ eller batteripaketet från elverktyget innan några justeringar gör, tillbehör byts eller elverktyget läggs undan.** Dessa förebyggande säkerhetsåtgärder minskar risken för att elverktyget startas oavsiktligt.
- **Förvara elverktyg som går på tomgång utom räckhåll för barn och låt inte personer som är ovana med elverktyget eller dessa instruktioner använda elverktyget.** Elektriska verktyg är farliga i händerna på utbildade användare.
- **Underhåll motordrivna verktyg och tillbehör. Kontrollera felinställningar eller om rörliga delar har fastnat, bristning hos delar och andra eventuella förhållanden som kan komma att påverka elverktygets funktion. Om skadad, lämna in elverktyget för reparation innan det används.** Många olyckor beror på dåligt underhållna elverktyg.
- **Håll kapverktyg vassa och rena.** Ordentligt underhållna kapningsverktyg med vassa sågkanter är mindre sannolika att fastna och är lättare att kontrollera.
- **Använd det motordrivna verktyget, tillbehör, insatsverktyg osv. i enlighet med dessa instruktioner och ta hänsyn till arbetsförhållanden och det arbete som ska utföras.** Om elverktyget används för andra tillämpningar än det är avsett för kan det resultera i farliga situationer.
- **Håll handtagen och greppytorna torra, rena och fria från olja och fett.** Halkiga handtag och greppytor kan leda till osäker hantering och/eller tappad kontroll av verktyget.

ANVÄNDNING OCH SKÖTSEL AV BATTERIDRIVET VERKTYG

- **Ladda endast med den laddare som rekommenderas av tillverkaren.** En laddare som är lämplig för en typ av batteripaket kan skapa en risk för brand när den används med ett annat batteripaket.
- **Använd endast elverktyg med deras särskilt avsedda batteripaket.** Användning av andra batteripaket kan medföra risk för personskador och eld.
- **När batteripaketet inte används, håll det borta från metallobjekt som t.ex. pappersgem, mynt, nycklar, spikar, skruvar och andra små metallobjekt som kan bilda en anslutning från en batterikontakt till den andra.** Kortslutning av batteriets terminaler kan orsaka brännskador eller en brand.
- **Under olämpliga förhållanden kan vätska spruta ut från batteriet. Undvik kontakt. Vid oavsiktlig kontakt, spola med vatten. Om vätskan kommer**

i kontakt med ögonen, sök också läkarhjälp. Vätska som sprutar ur batteriet kan orsaka sveda och brännskador.

- **Använd inte ett batteripack eller verktyg som skadats eller modifierats.** Skadade eller modifierade batterier kan leda till oförutsägbart uppträdande som leder till brand, explosion eller risk för personskador.
- **Utsätt inte batteripaketet eller verktyget för eld eller extrema temperaturer.** Exponering av eld eller temperaturer över 130 °C kan orsaka explosion.
- **Följ alla laddningsinstruktioner och ladda inte batteripaketet eller verktyget utanför det temperatursområde som anges i instruktionerna.** Felaktig laddning eller vid temperaturer utanför angivet temperatursområde kan skada batteriet och ökar risken för brand.

SERVICE

- **Serva ditt elverktyg hos en kvalificerad servicetekniker som endast använder identiska utbytesdelar.** Det säkerställer att säkerheten hos det motordrivna verktygets underhålls.
- **Utför aldrig service på skadade batteripack.** Service av batteripack bör endast utföras av tillverkaren eller auktoriserade serviceverkstäder.

KEDJESÅG SÄKERHETSVARNINGAR

- **Håll alla kroppsdelar borta från sågkedjan när kedjesågen körs. Kontrollera att kedjesågen inte är i kontakt med något annat föremål innan du startar kedjesågen.** Ett ögonblicks uppmärksamhet när kedjesågen används kan göra att dina kläder eller kroppsdelar fastnar i kedjan.
- **Håll alltid högra handen på det bakre handtaget på kedjesågen och din vänstra hand på det främre handtaget.** Om man håller kedjesågen med motsatt handfättning ökar risken för personskador och man skall aldrig göra så.
- **Håll endast kedjesågen i de isolerade greppytorna eftersom sågkedjan kan komma i kontakt med dolda ledningar.** Sågkedjor som kommer i kontakt med en strömförande ledning kan göra att de exponerade metalldelarna blir strömförande och ge operatören en elektrisk stöt.
- **Använd skyddsglasögon. Ytterligare skyddsutrustning för hörsel, huvud, händer, ben och fötter rekommenderas.** Aдекватa skyddskläder kommer att minska risken för personskador från flygande skräp eller oavsiktlig kontakt med sågkedjan.

- **Använd inte kedjesågen i ett träd, på en stege, på taket eller annat instabilt stöd.** Användning av en kedjesåg på detta sätt kan resultera i allvarliga personskador.
- **Ha alltid stadigt fotfäste och använd endast kedjesågen stående på en fast, säker och plan yta.** Hala och instabila ytor såsom stegar kan göra att man tappar balansen eller kontrollen av kedjesågen.
- **Vid kapning av en gren som är under spänning, var beredd på återfjädring.** När spänningen i träfibren frigörs kan den spända timret slå emot operatören och/eller kasta kedjesågen utom kontroll.
- **Var extremt försiktig när du kapar snårskog och buskar.** Det slanka materialet kan fastna i sågkedjan och piskas mot dig eller dra dig ur balans.
- **Bär kedjesågen i främre handtaget med kedjesågen avstängd och undan från kroppen. Vid transport eller förvaring av kedjesågen skall alltid svärdstäckningen användas.** Korrekt hantering av kedjesågen kommer att minska risken för oavsiktlig kontakt med sågkedjan när den körs.
- **Följ instruktionerna för smörjning, kedjespänning och byte av tillbehör.** Felaktig spänning eller smörjning av kedjan kan antingen bryta sönder kedjan eller öka risken för rekyl.
- **Se till att handtagen är torra, rena och fria från olja och fett.** Feta och oljiga handtag är hala och kan göra att kontrollen förloras.
- **Såga endast trä. Använd inte kedjesågen för syften som inte avsetts. Exempel: använd inte kedjesågen för att kapa plast, murverk eller icke träbyggnadsmaterial.** Användning av kedjesågen för annat arbete än det avsedda kan resultera i farliga situationer.
- **Försök inte att fälla ett träd innan du förstått riskerna och hur de undviks.** Allvarliga skador kan uppstå på operatören eller åskådare när ett träd fälls.

ORSAKER OCH ANVÄNDARES FÖRHINDRANDE AV REKYLER

Rekylar kan inträffa när spetsen eller toppen på sågsvärdet rör vid ett föremål eller när trät kläms ihop och klämmer sågkedjan i sågsnittet (Fig. A).

I en del fall kan kontakt med svärdspetsen orsaka en plötslig bakåtrörelse som kastar svärdet uppåt och bakåt mot användaren (Fig. B).

Om sågkedjan kläms längs med spetsen av svärdet kan sågsvärdet snabbt kastas bakåt mot användaren (Fig. C).

Någon av dessa händelser kan göra att du förlorar kontrollen över sågen, vilket kan leda till allvarliga personskador. Lita inte enbart på de säkerhetsenheter som är

inbyggda i din såg.

Som användare av kedjesåg bör du vidta flera steg för att ditt sågjobb skall vara olycks- och skadefritt.

Rekyl är resultatet av felanvändning av verktyget och/eller felaktiga arbetsprocedurer eller arbetsförhållanden och kan undvikas genom att vidta ordentliga försiktighetsåtgärder så som beskrivs här nedan:

- **Håll ett fast grepp med tummarna och fingrarna runt kedjesågens handtag med båda händerna på sågen och kroppen och armen placerad så att du kan stå emot rekylkraften (Fig. D).** Användaren kan kontrollera rekylkraften om korrekta åtgärder vidtagits. Släpp inte kedjesågen.
- **Sträck dig inte och såga inte över axelhöjd.** Detta hjälper till att förhindra oavsedd spetskontakt och ger bättre kontroll av kedjesågen i oväntade situationer.
- **Använd endast utbytessvärd och kedjor som specificerats av tillverkaren.** Felaktiga utbytessvärd och kedjor kan göra att kedjan går sönder och/eller ger rekyl.
- **Följ tillverkarens anvisningar för att slipa och underhålla sågkedjan.** Minskning av djupets höjdmått kan leda till ökade rekyl.
- **Kontrollera att området du ska såga är utan hinder.** Låt inte sågsvärdets spets träffa en stock, gren eller något annat hinder som kan träffas när du kör sågen.
- **Såga alltid med enheten på högsta hastighet.** Tryck in avtryckaren helt för att bibehålla såghastigheten.
- **Med en grundläggande förståelse av rekyl, går det att minska eller eliminera överraskningsmomentet.** Överraskning är en bidragande orsak till olyckor.
- **Ha ordentligt fotfäste och balans hela tiden.**
- **Skjut och dra – Reaktionskraften är alltid motsatt till kedjans rörelseriktning när kontakt med trä sker.** Dessutom måste användaren vara redo att kontrollera DRAGET vid sågning med underkanten av svärdet och SKJUTA vid sågning längs med spetskanten (Fig. E).

REKYL-SÄKERHETS ENHETER PÅ DENNA KEDJESÅG

KEDJEBROMS

Kedjesågen levereras utrustad med en kedjebroms vilken stoppar både motorn och kedjans rörelse när en rekyl uppstår. Kedjebromsen kan aktiveras av framåtrörelsen av kedjans rekylbroms samt sågens rotation bakåt under rekyl, den kan också aktiveras av tröghetskrafterna som genereras vid snabb rekyl.

SE

⚠ VARNING: Modifiera aldrig eller försök att avaktivera kedjebromsen.

Se till att kedjebromsen fungerar korrekt innan kedjesågen används. Kedjans rekylbromshandtag skall enkelt röra sig bakåt och framåt.

- För att testa funktionen hos kedjebromsen, utför följande steg (Fig. F):
- Placera kedjesågen på en plan ren yta och se till att inga föremål eller hinder finns i omedelbar närhet som kan komma i kontakt med svärdet och kedjan.
- Avaktivera kedjebromsen genom att dra kedjans rekylbromshandtag mot fronthandtaget.
- Starta kedjesågen.
- Skjut kedjans rekylbromshandtag mot fronten på sågen. En korrekt fungerande handbroms kommer att stoppa rörelsen hos kedjan omedelbart. Om kedjebromsen inte fungerar korrekt, använd inte kedjesågen innan den har reparerats av en kvalificerad servicetekniker.

F-1	Bromshandtag för kedjerekyl i driftläge
F-2	Bromshandtag för kedjerekyl i bromsläge

⚠ VARNING: Bekräfta att kedjebromsen fungerar korrekt före varje användning.

⚠ VARNING: Om kedjebromsen kärvar på grund av träspån försämrats kedjebromsens funktion. Se till att enheten alltid är ren.

LÅGREKYL SÅGKEDJA

Tandningen (djupmätare) framför varje skär kan minimera kraften hos en rekylreaktion genom att förhindra skären från att gräva för djupt ut rekylzonen. Använd endast en utbyteskedja som är likvärdig mot originalkedjan eller har certifierats som den.

⚠ FÖRSIKTIGHET! Då sågkedjor slipas under deras användbara livslängd förlorar de lite av de låga rekylkvaliteterna och extra försiktighet bör användas.

YTTERLIGARE VARNINGAR

- **Motorsågen är avsedd att användas med två händer.** Allvariga skador på användare, hantlangare och/eller åskådare kan uppstå vid enhands-hantering.
- **Undvik oavsiktlig kontakt med den fasta sågkedjan eller sågsvärdet.** Dessa kan vara mycket vassa. Använd alltid handskar och långbyxor eller chaps när kedjesågen, sågkedjan eller svärdet hanteras.

- **Använd aldrig kedjesågen när den är skadad, felaktigt inställd eller inte fullständigt eller säkert monterad.** Säkerställ att kedjan slutar rotera när du släpper gasreglaget.
- **Kontrollera om arbetsstycket har spikar, trådar eller andra främmande föremål före kapningen.**
- **Fäst arbetsstycket innan kapning. Vid fällning eller kvistning, identifiera och säkra farliga grenar.**
- **Aggressiv eller missbrukande kapning eller missbruk av kedjesågen kan orsaka förtidigt slitage på svärdet, kedjan och/eller kedjekransen vilket leder till rekyler, kedjekast eller utkast av materialet.**
- **Använd aldrig svärdet som en hävarm.** Ett böjt svärd kan orsaka förtidigt slitage på svärdet, kedjan och/eller kedjekransen samt trasig kedja eller svärd vilket leder till rekyler, kedjekast eller utslungning av material.
- **Kapa endast ett arbetsstycket i taget.**
- **Ladda inte batteripaketet i regn eller på en våt plats.**
- **Planera arbetet, se till att arbetsområdet inte har några hinder och vid fällning ska det finnas minst en utrymningsväg från det fallande trädet.**
- **Vid fällning, håll åskådare minst två trädlängder bort.**
- **Om situationer uppstår som inte tas upp i denna manual, var försiktig och använd sunt förnuft. Kontakta EGO kundtjänst för hjälp.**

SVÄRD

Denna såg levereras utrustad med ett svärd som har en smal vinklad spets. Små vinklade spetsar har generellt mindre potential för rekyler. Vid byte av svärdet, se till att beställa svärdet som listas i denna manual.

SPARA DESSA INSTRUKTIONER!

YLEISET SÄHKÖTYÖKALUJEN TURVALLISUUSVAROITUKSET

VAROITUS: Lue kaikki tämän sähkötyökalun mukana tuleet turvallisuusvaroitukset, ohjeet, piirustukset ja tekniset tiedot. Jos kaikkia alla olevia ohjeita ei noudateta, seurauksena saattaa olla sähköisku, tulipalo ja/tai vakava loukkaantuminen.

SÄILYÄ KAIKKI VAROITUKSET JA OHJEET MYÖHEMPÄÄ KÄYTTÖÄ VARTEN.

Varoituksissa käytetty termi ”sähkötyökalu” tarkoittaa joko verkkovirtakäyttöistä (johdollista) sähkötyökalua tai akkukäyttöistä (johdotonta) sähkötyökalua.

TYÖALUEEN TURVALLISUUS

- Pidä työskentelyalue siistinä ja hyvin valaistuna. Sotkuiset tai hämärit alueet aiheuttavat onnettomuuksia.
- Älä käytä sähkötyökaluja räjähdysherkässä ympäristössä, kuten syttyvien nesteiden, kaasujen tai pölyn läheisyydessä. Sähkötyökalut saattavat aiheuttaa kipinöitä, jotka voivat sytyttää tomun tai höyryjä.
- Älä päästä lapsia tai sivullisia lähelle, kun käytät sähkötyökaluja. Häiriötekijät voivat aiheuttaa hallinnan menettämisen.

SÄHKÖTURVALLISUUS

- Sähkötyökalun pistotulpan on vastattava pistorasiaa. Älä ikinä muokkaa pistotulppaa millään tavalla. Älä käytä minkäänlaisia sovintipistotulppia maadoitettujen sähkötyökalujen kanssa. Muokkaamattomat pistotulpat ja niihin sopivat pistorasiat vähentävät sähköiskun vaaraa.
- Vältä koskemasta vartalollasi maadoitettuihin pintoihin, kuten putkiin, lämmityspattereihin, liesiin ja jääkaappeihin. Sähköiskun riski kasvaa, jos kehosi on maadoitettu.
- Älä altista sähkötyökaluja sateelle tai kosteudelle. Sähkötyökaluun pääsevä vesi lisää sähköiskun vaaraa.
- Älä väärinkäytä johtoa. Älä koskaan kannan tai vedä laitetta johdosta tai irrota pistoketta pistorasiasta johdosta vetämällä. Pidä johto poissa tulen, öljyn, terävien reunojen tai liikkuvien osien läheltä. Vahingoittuneet tai sotkeutuneet johdot lisäävät sähköiskun vaaraa.
- Kun käytät sähkötyökalua ulkona, käytä ulkokäyttöön tarkoitettua jatkojohtoa. Ulkokäyttöön tarkoitettun jatkojohdon käyttö vähentää sähköiskun riskiä.

- Jos et voi välttää sähkötyökalun käyttöä kosteissa olosuhteissa, käytä vikavirtasuojakytkimellä varustettua pistorasiaa. Vikavirtasuojakytkimen käyttö vähentää sähköiskun riskiä.

HENKILÖKOHTAINEN TURVALLISUUS

- Ole valpas, tarkkaavainen ja käytä maalaisjärkeä, kun käytät sähkötyökalua. Älä käytä sähkötyökalua, kun olet väsynyt tai kun olet huumeiden, alkoholin tai lääkityksen vaikutuksen alaisena. Hetkellinenkin huomion herpaantuminen sähkötyökalua käytettäessä saattaa aiheuttaa vakavan henkilökohtaisen vamman.
- Käytä henkilönsuojaimia. Käytä aina silmäsuojaimia. Suojavarusteiden, kuten hengityssuojaimen, luistamattomien turvakengien, suojakypärän tai kuulosuojaimien, käyttö tarvittaessa vähentää loukkaantumisaavaa.
- Estä vahingossa käynnistyminen. Varmista, että kytkin on off-asennossa, ennen kuin liität virtalähteen ja/tai akun, nostaat laitteen tai kannat sitä. Sähkötyökalujen kantaminen niin, että sormesi on kytkimellä, tai sähkötyökaluihin virran kytkeminen kytkin päällä voi aiheuttaa onnettomuuksia.
- Poista kaikki säätöön käytetyt avaimet tai kiintoavaimet ennen kuin käynnistät sähkötyökalun. Sähkötyökalun pyörivään osaan jätetty avain tai kiintoavain saattaa aiheuttaa henkilövamman.
- Älä kurkottele. Säilytä aina tukeva asento ja hyvä tasapaino. Näin hallitset sähkötyökalun parhaalla mahdollisella tavalla odottamattomissa tilanteissa.
- Pukeudu asianmukaisesti. Älä käytä väljiä vaatteita tai koruja. Pidä hiuksesi, vaatteesi ja käsineesi poissa liikkuvien osien läheltä. Väljät vaatteet, korut tai pitkät hiukset voivat takertua liikkuviin osiin.
- Jos laitteissa on liitännät pölynpoistolaitteille ja keräilylaitteille, varmista, että ne on liitetty ja niitä käytetään oikein. Pölynpoistolaitteiden käyttö voi vähentää pölyyn liittyviä vaaroja.
- Älä anna tuotteen tuuttuden toistuvan käytön takia tehdä sinua liian itsevarmaksi, äläkä jätä työkalun turvallisuusohjeita noudattamatta. Huolimaton toiminta voi aiheuttaa vakavan henkilövahingon sekunnin murto-osassa.

SÄHKÖTYÖKALUJEN KÄYTTÖ JA KUNNOSSAPITO

- Älä pakota sähkötyökalua. Käytä omaan käyttötarkoitukseesi soveltuvaa sähkötyökalua. Oikea sähkötyökalu suorituu parhaiten ja turvallisimmin tehtävästä sille tarkoitettulla nopeudella.

- **Älä käytä sähkötyökäluä, jos sitä ei saa käynnistettyä ja suljettua kytkimellä.** Sähkötyökäluun, jota ei voida hallita kytkimellä, käyttö on vaarallista ja laite on korjattava.
- **Irrota pistotulppa virtalähteestä ja/tai akku sähkötyökäluusta ennen kuin teet mitään muutoksia, vaihdat apuvälineitä tai laitat sähkötyökäluun varastoon.** Nämä estävät turvallisuustoimenpiteet vähentävät sähkötyökäluun vahingossa käynnistämisen riskiä.
- **Säilytä käyttämättömiä sähkötyökäluja lasten ulottumattomissa, äläkä anna henkilöiden, jotka eivät tunne sähkötyökäluä tai näitä ohjeita, käyttää sähkötyökäluun.** Sähkötyökälu ovat vaarallisia kokemattomien käyttäjien käsissä.
- **Huolla sähkötyökälu ja lisävarusteet.** Tarkista, että liikkuvat osat ovat kunnolla paikallaan, että osat ovat ehjiä, ja että sähkötyökäluissa ei ole muita ongelmia, jotka saattaisivat vaikuttaa sen toimintaan. Jos sähkötyökälu on vahingoittunut, korjauta se ennen käyttöä. Monet onnettomuudet johtuvat huonosti ylläpidetyistä sähkötyökäluista.
- **Pidä leikkuutyökälu terävinä ja puhtaina.** Oikein huolletut leikkuutyökälu, joissa on terävät leikkureunat, eivät todennäköisesti jumiudu, ja niitä on helpompi hallita.
- **Käytä sähkötyökäluja, lisävarusteita ja teriä yms. näiden ohjeiden mukaisesti ja niin, että otat huomioon käyttöolosuhteet ja tehtävän työn.** Sähkötyökälujen käyttö muihin kuin niille suunniteltuihin tarkoituksiin saattaa aiheuttaa vaaratilanteen.
- **Pidä kahvat ja tartuntapinnat kuivina, puhtaina, öljyttöminä ja rasvattomina.** Liukkaat kahvat ja tartuntapinnat aiheuttavat vaaraa ja/tai työkalun hallinnan menettämisen.

AKKUTYÖKÄLUUN KÄYTTÖ JA KUNNOSSAPITO

- **Lataa vain valmistajan määrittelemällä laturilla.** Tietynlaisen laturin käyttö tietynlaisen akun kanssa saattaa aiheuttaa tulipalon riskin, jos sitä käytetään toisenlaisen akun kanssa.
- **Käytä sähkötyökäluja vain niille erikseen määriteltujen akkujen kanssa.** Muunlaisten akkujen käyttö saattaa aiheuttaa loukkaantumisen tai tulipalon vaaran.
- **Kun akku ei ole käytössä, pidä se erillään metalliesineistä, kuten paperiliittimet, kolikot, avaimet, naulat, ruuvit ja muut pienet metalliesineet, jotka voivat yhdistää akun navat toisiinsa.** Akun napojen oikosulku voi aiheuttaa

palovammoja tai tulipalon.

- **Akusta voi valua nestettä väärästä käytöstä johtuen. Vältä kosketusta nesteeseen. Jos kosket nesteeseen vahingossa, huuhtelee vedellä. Jos nestettä pääsee silmiin, hakeudu lääkärin hoitoon.** Akusta valuva neste voi aiheuttaa ärsytystä tai palovammoja.
- **Älä käytä akkuä tai työkaluä, joka on vaurioitunut tai jota on muutettu.** Vaurioituneet tai muutetut akut voivat käyttäytyä arvaamattomasti ja aiheuttaa tulipalon, räjähdysten tai henkilövahingon vaaran.
- **Älä altista akkuä tai työkaluä tulelle tai äärimmäisille lämpötiloille.** Altistaminen yli 130 °C:n lämpötilalle voi aiheuttaa räjähdyksen.
- **Noudata kaikkia latausohjeita. Älä lataa akkuä tai työkaluä lämpötilassa, joka ole ohjeissa ilmoitetun lämpötila-alueen sisällä.** Virheellinen lataaminen tai lataaminen ilmoitetun lämpötila-alueen ulkopuolella olevassa lämpötilassa voi vaurioittaa akkuä ja lisätä palovaaraa.

HUOLTO

- **Huollata sähkötyökäluä asianuntevalia korjaajalla, joka käyttää vain identtisiä varaosa.** Näin taataan sähkötyökäluun turvallisuuden säilyminen.
- **Älä koskaan huolla vaurioituneita akkuja.** Akkujen huollon saa tehdä vain valmistaja tai sen valtuuttamat huoltoilikkeet.

MOOTTORISAHAN TURVALLISUUSVAROITUKSET

- **Pidä kaikki kehon osat poissa moottorisahan terän luota, kun moottorisaha on käytössä. Ennen kuin käynnistät moottorisahan, varmista, ettei se kosketa mihinkään.** Hetkellinenkin huomion herpaantuminen moottorisahaa käyttäessä saattaa aiheuttaa vaatteiden tai kehon sotkeutumisen moottorisahaan.
- **Pidä moottorisahasta kiinni aina niin, että oikea kätesi on takakahvalla ja vasen kätesi etukahvalla.** Moottorisahan pitäminen toisin päin lisää henkilövahingon riskiä, joten niin ei tulisi koskaan tehdä.
- **Tartu moottorisahaan vain eristetyistä pinnoista, koska teräketju voi osua piilossa olevaan sähköjohtoon.** Teräketjun kosketus ”jännitteeseen” johtoon saattaa tehdä sähkötyökäluun metalliosat ”jännitteisiksi” ja aiheuttaa sähköiskun käyttäjälle.
- **Kuulonsuojaimet, kypärä, käsien ja jalkojen lisäsuojavarusteet ovat suositeltavia.** Asianmukainen suojavaatetus vähentää lentävien roskien aiheuttamia henkilövahinkoja tai vahingossa tapahtuvia kosketuksia teräketjun kanssa.

■ **Älä käytä moottorisahaa ollessasi puussa, tikapuilla, katolla tai muun epävakaan tuen päällä.**

Moottorisahan käyttö tällä tavalla saattaa aiheuttaa vakavan henkilövahingon.

■ **Käytä moottorisahaa vain silloin, kun olet kiinteällä, tasaisella ja turvallisella alustalla ja seisot vakaasti.** Liukkaat tai epätasapainoiset alustat, kuten tikkaat, saattavat aiheuttaa tasapainon tai moottorisahan hallinnan menetyksen.

■ **Varo takapotkua jännityksessä olevia oksia sahatessasi.** Kun puukuidun jännite vapautuu, aiemmin jännittyneenä ollut osua saattaa osua käyttäjään ja/tai iskeä moottorisahan pois hallinnasta.

■ **Ole erityisen varovainen pensaita ja taimikkoo sahatessasi.** Ohuet oksat voivat tarttua teräketjuun, sinkoutua sinua päin ja nykäistä sinut pois tasapainosta.

■ **Kanna moottorisahaa etukahvasta niin, että moottorisaha on pois päältä ja kaukana kehostasi. Kun kuljetat tai varastoit moottorisahaa, laita ohjausterälevyn suojus aina sen päälle.** Moottorisahan oikeaoppinen käyttö vähentää liikkuvan moottorisahan vahinkokontaktin todennäköisyyttä.

■ **Noudata voitelusta, ketjun kiristämisestä ja lisäosien vaihdosta annettuja ohjeita.** Väärin kiristetty tai voideltu ketju saattaa katketa tai lisätä takapotkun todennäköisyyttä.

■ **Pidä kahvat kuivina, puhtaina, öljyttöminä ja rasvattomina.** Rasvaiset ja öljyiset kahvat ovat liukkaita ja voivat aiheuttaa hallinnan menettämisen.

■ **Sahaa vain puuta. Älä käytä moottorisahaa muuhun kuin sen suunniteltuun tarkoitukseen. Älä esimerkiksi käytä moottorisahaa muovin, kivien tai rakennusmateriaalien, jotka eivät ole puuta, leikkaamiseen.** Moottorisahan käyttö muuhun kuin sille suunniteltuun tarkoitukseen saattaa aiheuttaa vaaratilanteen.

■ **Älä yritä kaataa puuta, ennen kuin sinulla on käsitys siihen liittyvistä vaaroista ja niiden välttämisestä.** Puun kaataminen voi aiheuttaa vakavan vamman kaatajalle tai sivullisille.

TAKAPOTKUN AIEHUTTAJAT JA KÄYTTÄJÄN ESTOMAHDOLLISUUDET

Takapotku saattaa aiheutua, kun ohjausterälevyn kärki koskee esineeseen tai kun puu sulkeutuu ja vangitsee moottorisahan leikattavaan kohtaan. (Kuva A)

Kärkikosketus saattaa joskus aiheuttaa yhtäkkisen vastareaktion, joka potkaisee ohjausterälevyn ylös ja taakse kohti käyttäjää (kuva B).

Moottorisahan vangitseminen ohjausterälevyn yläosassa

saattaa aiheuttaa sen, että terälevy tulee taakse kohti käyttäjää (kuva C).

Kumpi tahansa näistä reaktioista saattaa aiheuttaa sen, että menetät moottorisahan hallinnan, joka puolestaan voi aiheuttaa vakavan henkilövamman. Älä luota sokeasti sahassa oleviin turvallisuuslaitteisiin.

Moottorisahan käyttäjänä sinun tulisi tehdä tarvittavat varotoimenpiteet, jotta sahaustyösi sujuu ilman vahinkoja tai vammoja.

Takapotku johtuu laitteen väärinkäytöstä ja/tai vääristä käyttötoimenpiteistä tai -olosuhteista. Se voidaan välttää noudattamalla seuraavia varotoimia:

■ **Pidä laitteesta tukevasti kiinni niin, että peukalo ja sormet kiertyvät kahvojen ympärille, molemmat kädet ovat sahan kahvoilla ja kehosi ja kätesi ovat sellaisessa asennossa, että voit vastustaa takapotkun voimaa (kuva D).** Käyttäjää voi hallita takapotkun voimia, jos on varautunut kunnolla. Älä päästä irti moottorisahasta.

■ **Älä kurota liian pitkälle äläkä leikkaa olkapäätasaa korkeammalta.** Näin vältät vahingossa tapahtuvan kärkikontaktin ja hallitset moottorisahan parhaalla mahdollisella tavalla odottamattomissa tilanteissa.

■ **Käytä vain valmistajan määrittelemiä varaterälevyjä ja -ketjuja.** Vääränlaiset varaterälevyt ja -ketjut saattavat aiheuttaa ketjun rikkoutumisen ja/tai takapotkun.

■ **Noudata valmistajan moottorisahalle tarkoitettuja teroitus- ja ylläpito-ohjeita.** Syvyyssmittarin korkeuden alentaminen saattaa johtaa takapotkun lisääntymiseen.

■ **Varmista, ettei sahausalueella ole esteitä.** Älä anna ohjausterälevyn kärjen koskea tukkeihin, oksiin, aitoihin tai muihin esteisiin, jotka saattavat olla tiellä, kun käytät sahaa.

■ **Sahaa aina niin, että laite käy mahdollisimman nopeasti.** Purista kytkinliipaisinta pohjaan ja pidä sama sahausnopeus.

■ **Kun ymmärrät, miten takapotku toimii, voit vähentää tai poistaa sen yllättävyyden täysin.** Yllätykset voivat aiheuttaa onnettomuuksia.

■ **Säilytä aina tukeva asento ja hyvä tasapaino.**

■ **Työnnä ja vedä** – Reaktion voimakkuus on aina vastakkaiseen suuntaan siihen nähden, mihin ketju liikkuu silloin, kun se koskee puuhun. Käyttäjän on siis oltava valmiina hallitsemaan VETOA silloin kun sahaa terälevyn alaosalla ja TYÖNTÖÄ silloin, kun sahaa yläosalla (kuva E).

TÄMÄN MOOTTORISAHAN TAKAPOTKUN TURVALLISUUSLAITTEET

KETJUN JARRU

Moottorisahassa on ketjun jarru, joka pysäyttää sekä moottorin että ketjun liikkeen takapotkun tapauksessa. Ketjun jarru voidaan aktivoida ketjun takapotkun jarrukahvan etuliikkeellä silloin, kun saha pyörii taakse takapotkun aikana; se voidaan myös aktivoida nopean takapotkun aiheuttamilla inertiavoimilla.

VAROITUS: Älä koskaan muokkaa tai yritä ohittaa ketjun jarrua.

Varmista, että ketjun jarru toimii kunnolla, ennen kuin käytät moottorisahaa. Ketjun takapotkun jarrukahvan tulisi liikkua helposti eteen ja taakse.

- Tarkista ketjun jarrun toimivuus seuraavalla tavalla (kuva F):
- Laita moottorisaha tasaiselle, paljaalle alustalle ja varmista, ettei mikään esine tai este ole niin lähellä, että se voisi osua terälevyyn tai ketjuun.
- Vapauta ketjun jarru vetämällä ketjun takapotkun jarrukahvaa kohti etukahvaa.
- Käynnistä moottorisaha.
- Työnnä ketjun takapotkun jarrukahvaa sahan etuosaa kohti. Oikein toimiva jarrukahva pysäyttää sahan liikkeen välittömästi. Jos ketjun jarru ei toimi kunnolla, älä käytä moottorisahaa ennen kuin asiantunteva huoltoteknikko on korjannut sen.

F-1	Ketjun takapotkun jarrukahva käyttöasen- nossa
F-2	Ketjun takapotkun jarrukahva jarrutusasen- nossa

VAROITUS: Varmista, että ketjun jarru toimii kunnol-
la ennen jokaista käyttökertaa.

VAROITUS: Jos ketjun jarru on täynnä puulastuja,
sen toiminta saattaa kärsiä. Pidä laite aina puhtaana.

VÄHÄISEN TAKAPOTKUN MOOTTORISAHA

Jokaisen leikkurin edessä olevat piikit (syvyysmittarit) voivat minimoida takapotkun reaktiovoiman estämällä leikkureiden pureutumisen liian syvälle takapotkualueelle. Käytä vain sellaista varaketjua, joka vastaa alkuperäistä ketjua tai on sertifioitu vastaavaksi.

HUOMIO: Kun teräketjuja teroitetaan käyttöiän aika-
na, ne menettävät osan vähäisen takapotkun ominaisuuk-
sistaan, ja niiden kanssa on oltava erityisen varovainen.

LISÄVAROITUKSIA

- Moottorisaha on tarkoitettu käytettäväksi kahdella

kädellä. Yhdellä kädellä käyttäminen saattaa aiheuttaa käyttäjän, avustajien ja/tai sivullisten vakavan loukkaantumisen.

- **Vältä tahatonta kosketusta teräketjuun tai terälevyn kiskoihin.** Ne voivat olla erittäin teräviä. Käytä aina hansikkaita ja pitkiä housuja tai viiltosuojalahkeita, kun käsittelet moottorisahaa, teräketjua tai terälevyä.
- **Älä koskaan käytä sellaista moottorisahaa, joka on vahingoittunut tai väärin säädetty tai jota ei ole täysin ja turvallisesti koottu.** Varmista, että sahaterä pysähtyy, kun liipaisinkytkin vapautetaan.
- **Tarkasta sahattava kappale naulojen, johtojen tai muiden vieraiden esineiden varalta ennen sahaamista.**
- **Kun leikkaat puuta pienemmiksi paloiksi, kiinnitä alkuperäinen puu ennen sahaamista. Kun kaadat puuta tai karsit oksia, tunnista ja kiinnitä vaaralliset oksat.**
- **Aggressiivinen tai vääränlainen sahaus tai moottorisahan väärinkäyttö saattaa aiheuttaa ennen aikaista terälevyn, ketjun ja/tai vetopyörän kulumista. Ketju tai terälevy saattaa myös rikkoutua, mikä voi aiheuttaa takapotkun, ketjun lentämisen tai materiaalin sinkoutumisen.**
- **Älä koskaan käytä terälevyä vääntövartena.** Taipunut terälevy voi aiheuttaa ennen aikaista terälevyn, ketjun ja/tai vetopyörän kulumista sekä ketjun tai terälevyn rikkoutumisen, mikä voi aiheuttaa takapotkun, ketjun lentämisen tai materiaalin sinkoutumisen.
- **Leikkaa vain yhtä palaa kerrallaan.**
- **Älä lataa akkua sateessa tai kosteissa olosuhteissa.**
- **Suunnittele työ etukäteen, varmista, ettei työalueella ole esteitä ja puun kaadon tapauksessa huolehdi, että kaatuvan puun alta on vähintään yksi pakoreitti.**
- **Kun kaadat puuta, pidä sivulliset ainakin kahden puun mitan päässä.**
- **Jos kohtaat tilanteen, jota ei tässä käyttöoppaassa käsitellä, käytä maalaisjärkeä ja omaa harkintakykyäsi. Ota yhteyttä EGO:n asiakaspalveluun lisätietoja varten.**

TERÄLEVY

Tässä sahasa on terälevy, jossa on pienisäteinen kärki. Pienisäteisillä kärjillä takapotkun todennäköisyys on pienempi. Kun vaihdat terälevyä, tilaa tässä käyttöoppaassa mainittu terälevy.

SÄILYTÄ NÄMÄ OHJEET!

GENERELLE SIKKERHETSADVARSLER FOR ELEKTROVERKTØY

⚠ ADVARSEL: Les alle sikkerhetsadvarslene, instruksjonene, illustrasjonene og spesifikasjonene som følger med dette elektroverktøyet. Manglende etterlevelse av alle instruksjonene under kan resultere i elektrisk støt, brann og/eller alvorlig skade

TA VARE PÅ ALLE ADVARSLER OG INSTRUKSJONER FOR FREMTIDIG BRUK.

Betegnelsen "elektroverktøy" i advarslene refererer til elektroverktøy som kobles til strømmettet (med ledning), eller batteridrevet (trådløs) elektroverktøy.

SIKKERHET I ARBEIDSRÅDET

- **Hold arbeidsområdet rent og godt opplyst.** Rotete eller mørke områder gjør at ulykker lettere oppstår.
- **Ikke bruk maskinen i eksplosjonsfarlige omgivelser, for eksempel der det finnes brennbare væsker, gasser eller støv.** Elektroverktøy lager gnister som kan antenne støv eller damp.
- **Hold barn og andre personer unna når elektroverktøyet er i bruk.** Distraksjoner kan føre til at du mister kontrollen.

ELEKTRISK SIKKERHET

- **Støpelet til elektroverktøyet må passe inn i stikkkontakten. Støpelet må ikke modifiseres på noen som helst måte. Ikke bruk adapterstøpsler sammen med jordede elektroverktøy.** Uforandrede støpsler og passende stikkontakter reduserer risikoen for elektrisk støt.
- **Unngå kroppskontakt med jordete overflater som rør, radiatorer, komfyrer og kjøleskap.** Det er økt risiko for elektrisk støt hvis kroppen din er jordet.
- **Ikke utsett elektroverktøy for regn eller våte omgivelser.** Kommer det vann inn i et elektroverktøy, øker risikoen for elektrisk støt.
- **Ikke utsett ledningen for feil behandling. Unngå å bære eller dra i verktøyet ved hjelp av ledningen, eller å dra i ledningen når du skal ta verktøyet ut av stikkkontakten. Hold ledningen på avstand fra varme, olje, skarpe kanter og bevegelige deler.** Skadede eller sammenfiltrede ledninger øker risikoen for elektriske støt.
- **Når du bruker et elektroverktøy utendørs må du bruke skjøteledning som er godkjent for dette.** Bruk av ledning som er egnet for utendørs bruk reduserer risikoen for elektrisk støt.

- **Hvis du er nødt til å bruke et elektroverktøy i fuktige omgivelser, skal du bruke en jordfeilbryter-beskyttet strømforsyning.** Bruk av GFCI reduserer risikoen for elektrisk støt.

PERSONLIG SIKKERHET

- **Vær årvåken, se hva du gjør, og følg sunn fornuft når du bruker et elektroverktøy. Ikke bruk elektroverktøy når du er trøtt eller er påvirket av narkotika, alkohol eller medikamenter.** Et øyeblikks uoppmerksomhet mens du bruker elektroverktøy kan føre til alvorlige personskader.
- **Bruk personlig verneutstyr. Bruk alltid vernebriller.** Verneutstyr som støvmaske, sklisikre vernesko, hjelm eller hørselsvern når omgivelsene krever det, reduserer risikoen for personskader.
- **Unngå utilsiktet oppstart. Pass på at bryteren er i av-stilling før du kobler til strømkilden og/eller batteripakken, eller når du løfter og bærer verktøyet.** Bærer du elektroverktøy med fingeren på bryteren eller kobler det til strømkilden mens bryteren står i på-posisjon, vil det øke faren for ulykker.
- **Fjern eventuelle justeringsnøkler før du slår på elektroverktøyet.** Et verktøy eller en nøkkel som sitter igjen i en roterende del av elektroverktøyet, kan føre til personskade.
- **Ikke strekk deg for langt. Pass på å ha skikkelig fotfeste og balanse til enhver tid.** Dette muliggjør bedre kontroll over elektroverktøyet i uventede situasjoner.
- **Kle deg riktig. Ikke bruk løse klær eller smykker. Hold hår, klær og hansker unna bevegelige deler.** Løse klær, smykker eller langt hår kan sette seg fast i bevegelige deler.
- **Hvis det følger med utstyr for tilkoping av støvavsug og oppsamlingsutstyr, skal disse kobles til og brukes riktig.** Bruk av støvenheter kan redusere støvrelaterte farer.
- **Selv om du har opparbeidet deg erfaring gjennom hyppig bruk av verktøyet må du alltid være årvåken og følge sikkerhetsinstruksjonene.** Et ørlite øyeblikks uoppmerksomhet er alt som skal til for at alvorlige personskader kan oppstå.

BRUK OG VEDLIKEHOLD AV ELEKTROVERKTØY

- **Ikke legg press på elektroverktøyet. Bruk et elektroverktøy som er egnet for det du skal gjøre.** Et egnet elektroverktøy vil gjøre jobben på en bedre og tryggere måte, i den hastigheten verktøyet er konstruert for.
- **Ikke bruk elektroverktøyet hvis bryteren ikke slår det på og av.** Elektroverktøy som ikke kan kontrolleres med bryteren er farlig og må repareres.

NO

- **Koble støpselet fra strømkilden og/eller ta batteripakken ut av verktøyet før du foretar justeringer, skifter tilbehør eller setter bort maskinen.** Slike forebyggende sikkerhetstiltak reduserer risikoen for at det elektriske verktøyet starter utilsiktet.
- **Oppbevar elektroverktøy utilgjengelig for barn, og ikke la personer som ikke er kjent med verktøyet eller disse instruksjonene, betjene maskinen.** Elektroverktøy er farlige når de brukes av uerfarne personer.
- **Elektroverktøy og tilbehør må vedlikeholdes. Se etter feiljusteringer eller oppbinding av bevegelige deler, skadede deler og eventuelle andre forhold som kan påvirke elektroverktøyet funksjon. Hvis det er skadet, må elektroverktøyet repareres før bruk.** Mange ulykker forårsakes av elektroverktøy som ikke er godt vedlikeholdt.
- **Hold skjæreverktøyet skjerpet og rent.** Riktig vedlikehold av skjæreverktøy med skarpe kanter gjør at det er mindre sannsynlighet for oppbinding, og at det er lettere å kontrollere.
- **Bruk elektroverktøy, tilbehør, bits, osv. i henhold til disse anvisningene, og ta hensyn til omgivelsene og arbeidet som skal utføres.** Bruk av elektroverktøy til andre formål enn det som er angitt, kan føre til farlige situasjoner.
- **Hold håndtakene og gripeflatene tørre, rene og fri for olje og fett.** Glatte håndtak og grep kan gi usikker håndtering og/eller manglende kontroll på verktøyet.

BRUK OG VEDLIKEHOLD AV BATTERIVERKTØY

- **Lades bare med ladere som er spesifisert av produsenten.** En lader som passer for én type batteripakke, kan gi brannfare dersom den brukes med andre batteripakker.
- **Elektroverktøyet skal bare brukes med spesifiserte batteripakker.** Bruk av andre batteripakker kan skape risiko for skader og brann.
- **Når batteriet ikke er i bruk skal det holdes unna andre metallgjenstander som binders, mynter, nøkler, spikere, skruer eller andre små metallgjenstander som kan lage forbindelse fra én terminal til en annen.** Kortslutning av batteripolene kan forårsake brannskader eller brann.
- **Under farlige forhold kan væske komme ut av batteriet. Unngå kontakt med denne. Hvis kontakt oppstår ved et uhell, skyll med vann. Får du væske i øynene, skal det i tillegg søkes medisinsk hjelp.** Væske som blir slynget ut av batteriet, kan forårsake irritasjon eller brannskader.

- **Ikke bruk en batteripakke eller et verktøy som er skadet eller tilpasset.** Skadde eller modifiserte batterier kan oppføre seg uforutsigbart og medføre brann, eksplosjon eller risiko for personskade.
- **Ikke eksponer batteripakken eller verktøyet for ild eller svært høye temperaturer.** Eksponering for ild eller temperaturer over 130 °C kan forårsake eksplosjon.
- **Følg alle ladeinstruksjonene, og ikke lad batteripakken eller verktøyet utenfor temperaturområdet som er angitt i instruksjonene.** Hvis batteriet lades på feil måte eller ved temperaturer som er utenfor det angitte området, kan batteriet bli skadet og brannrisikoen øke.

SERVICE

- **Elektroverktøyet må repareres av et kvalifisert serviceverksted som kun bruker identiske reservedeler.** Dette opprettholder sikkerheten til elektroverktøyet.
- **Batteripakker som er skadet, må aldri brukes.** Service på batteripakker må bare utføres av produsenten eller autoriserte tjenesteleverandører.

SIKKERHETSADVARSLER FOR MOTORSAGEN

- **Hold alle deler av kroppen borte fra sagkjedet når motorsagen er i drift. Før du starter motorsagen, må du påse at sagkjedet ikke er i kontakt med noe.** Et øyeblikks uoppmerksomhet ved bruk av motorsagen kan føre til at klær eller kroppsdeler sammenfiltres med kjedet.
- **Hold alltid motorsagen med høyre hånd på det bakre håndtaket, og venstre hånd på det fremre håndtaket.** Hvis man holder motorsagen med omvendt håndkonfigurasjon, øker risikoen for personskader og bør aldri prøves.
- **Hold motorsagen kun på isolerte gripeflater, fordi sagkjeden kan komme i kontakt med skjulte ledninger.** Sagkjeder som får kontakt med en "strømførende" ledning kan gjøre utsatte metalldeleer av elektroverktøyet "strømførende" og kan gi føreren elektrisk støt.
- **Bruk øyvern. Ytterligere verneutstyr for hørsel, hode, hender, ben og føtter anbefales.** Tilstrekkelig verneklær vil redusere personskader ved flyvende rusk eller utilsiktet kontakt med sagkjeden.
- **Ikke bruk motorsagen i et tre, på en stige, fra taket eller på ustabil støtte.** Bruk av motorsag på denne måten kan føre til alvorlig personskade.

NO

- **Sørg alltid for skikkelig fotfeste, og bruk motorsagen kun når du står på en fast, sikker og jevn overflate.** Glatte eller ustabile overflater så som stiger kan føre til at man mister balansen eller kontrollen over motorsagen.
- **Vær forberedt på at grenen kan slå tilbake hvis du kutter en gren som er under press.** Når spenningen i trefibrene frigjøres, kan den da fjærbelastede grenen treffe operatøren og/eller kaste motorsagen ut av kontroll.
- **Vær svært forsiktig når du kutter busker og unge trær.** De tynne kvistene kan treffe sagkjedet og bli slengt mot deg så du mister balansen.
- **Bær motorsagen i det fremre håndtaket, med motorsagen slått av og vendt bort fra kroppen. Ved transport eller oppbevaring av motorsagen, skal stangdekslet være på.** Riktig håndtering av motorsagen reduserer sannsynligheten for utilsikket kontakt med det bevegelige sagkjedet.
- **Følg instruksjonene for smøring, stramming av kjede og bytte av tilbehør.** Et kjede som er strammet eller smurt feil, kan enten brette eller øke faren for tilbakeslag.
- **Hold håndtakene tørre, rene og fri for olje og fett.** Fete/oljede håndtak er glatte og kan få deg til å miste taket.
- **Kan bare brukes til å kappe tremateriale. Ikke bruk motorsagen til formål som den ikke er laget for. For eksempel: ikke bruk motorsagen til å kutte plast, murverk eller bygningsmaterialer som ikke er tre.** Bruk av motorsagen til arbeid annet enn det som er angitt kan føre til farlige situasjoner.
- **Ikke prøv å felle et tre før du har forståelse for risikoen og hvordan du kan unngå dem.** Det kan oppstå alvorlig personskade på operatør eller tilskuere mens man feller et tre.

ÅRSAKER TIL, OG HVORDAN OPERATØREN FORHINDRER TILBAKESLAG

Kast eller tilbakeslag kan oppstå når nesene eller tuppen på sverdet berører en gjenstand, eller når treverket lukker seg og klyper sagkjedet i kuttstedet (fig. A)

Tuppkontakt kan i noen tilfeller kan føre til en plutselig omvendt reaksjon, der sverdet slår opp og bakover mot operatøren (fig. B).

Klemming av sagkjedet langs toppen av styrestangen kan skyve styrestangen raskt tilbake mot operatøren (fig. C).

Begge disse reaksjonene kan føre til at du mister kontrollen over sagen, som igjen kan resultere i alvorlige personskader. Ikke stol utelukkende på sikkerhetsinnretningene som er innebygd i sagen.

Som en motorsagbruker, bør du ta flere skritt for å holde sagejobbene dine frie for ulykker og skader.

Tilbakeslag er et resultat av verktøymisbruk og/eller uriktige driftsprosedyrer eller -forhold, og kan unngås ved å ta riktige forholdsregler som angitt nedenfor:

- **Hold et godt grep, med tomlene og fingrene lukket rundt motorsagens håndtak, begge hendene på sagen, og plasser kroppen og armen slik at du kan motstå tilbakeslagskreftene (fig. D).** Tilbakeslagskreftene kan kontrolleres av operatøren, hvis de riktige forholdsreglene er tatt. Ikke slipp motorsagen.
- **Ikke strekk deg, og ikke sag over skulderhøyde.** Dette bidrar til å hindre utilsikket tuppkontakt, og gir bedre kontroll over motorsagen i uventede situasjoner.
- **Bruk kun nye sverd og kjeder som er spesifisert av produsenten.** Bruk av feil nye erstatningssverd og -kjeder kan forårsake kjedebudd og/eller tilbakeslag.
- **Følg produsentens skjerpe- og vedlikeholdsinstruksjoner for sagkjedet.** Reduksjon av dybdemålerhøyden kan føre til økt tilbakeslag.
- **Sørg for at området der du sager er fritt for hindringer.** Ikke la nesene på sverdet komme i kontakt med en stamme, gren, gjerde eller andre hindringer som kan treffes på mens du bruker sagen.
- **Sag alltid med enheten på full hastighet.** Trykk bryterutløseren helt ned, og oppretthold sagehastigheten.
- **Med en grunnleggende forståelse av tilbakeslag kan du redusere eller eliminere overraskelsesmomentet.** Plutselige overraskelser bidrar til ulykker.
- **Pass på å ha skikkelig fotfeste og balanse til enhver tid.**
- **Skyv og dra** – reaksjonskraften er alltid i motsatt retning av kjedets bevegelse der treverket får kontakt. Dermed må operatøren være klar til å kontrollere DRAKRAFT når det sages på nedre kant av sverdet, og SKYVEKRAFT når det sages langs den øvre kanten (fig. E).

SIKKERHETSINNRETNINGER FOR TILBAKESLAG PÅ DENNE MOTORSAGEN

KJEDEBREMS

Motorsagen er utstyrt med kjedebrem, som stopper både motoren og bevegelsen til kjedet når det oppstår tilbakeslag. Kjedebremmen kan aktiveres av fremoverbevegelsen til kast-bremsehåndtaket når sagen roterer bakover under kast; den kan også aktiveres av treghtetskreftene som genereres under raske tilbakeslag.

NO

⚠ ADVARSEL: Aldri endre eller forsøke å deaktivere kjedebremsen.

Kontroller at kjedebremsen fungerer som den skal før du bruker motorsagen. Kjedens tilbakeslags-håndtak skal kunne flyttes frem og tilbake lett.

- For å teste at kjedebremsen fungerer, utføres følgende trinn (fig. F):
- Plasser motorsagen på en flat og tom overflate, og sørg for at ingen gjenstander eller hindringer kan komme i kontakt med sverd eller kjede i umiddelbar nærhet.
- Koble ut kjedebremsen ved å trekke kjedens tilbakeslags-bremsehåndtak mot et fremre håndtaket.
- Start motorsagen.
- Skyv bremsehåndtaket for tilbakeslag mot fronten av sagen. En riktig fungerende brems vil stanse bevegelsen av kjedet umiddelbart. Hvis kjedebremsen ikke fungerer som den skal, må du ikke bruke motorsagen før den har blitt reparert av en kvalifisert servicetekniker.

NO

F-1	Bremsehåndtaket for tilbakeslag er i driftsposisjon
F-2	Bremsehåndtaket for tilbakeslag er i bremseposisjon

⚠ ADVARSEL: Kontroller at kjedebremsen fungerer ordentlig før hver bruk.

⚠ ADVARSEL: Hvis kjedebremsen er tilstoppet med flis, kan funksjonen forringes. Hold alltid enheten ren.

SAGKJEDE MED LITE TILBAKESLAG

Rakerne (dybdemålere) i forkant av hver kutter kan redusere styrken i en tilbakeslagsreaksjon ved å hindre kutterne fra å grave i for dypt i tilbakeslagsområdet. Det skal bare brukes erstatningskjede som er identisk med det opprinnelige kjedet, eller som har blitt sertifisert som et.

⚠ FORSIKTIG: Siden sagkjeder skjerpes under levetiden sin, mister de noen av de egenskapene som minsker tilbakeslag, og ekstra forsiktighet skal utvises.

YTTERLIGERE ADVARSLER

- **Motorsagen er beregnet for tøhandsbruk.** Alvorlige skader på operatør, hjelpere og/eller tilskuere kan skje hvis apparatet håndteres bare med én hånd.

- **Unngå uforvarende kontakt med det stasjonære sagkjedet eller sagsverdet.** Disse kan være svært skarpe. Bruk alltid hansker og lange bukser eller skogsvernbukser når du håndterer motorsagen, sagkjedet eller sverdet.
- **Bruk aldri en motorsag som er skadet eller er feiljustert, eller som ikke er helt eller korrekt montert.** Pass på at sagkjedet slutter å gå når du har sluppet utløserbryteren.
- **Inspiser arbeidsstykket for spiker, ledninger eller andre fremmedelemerter før du starter kutting.**
- **Under kapping skal arbeidsstykket sikres før start. Ved felling eller beskjæring skal farlige grener identifiseres og sikres.**
- **Aggressiv eller fornærmende saging eller misbruk av motorsagen kan føre til at sverd, kjede og/eller drivhjul slites for tidlig, samt ødelagt kjede eller sverd, noe som vil føre til tilbakeslag, kjedekast eller utkasting av materialet.**
- **Sagsverdet må aldri brukes som spake.** Et bøyd sagsverd kan forårsake for tidlig slitasje på sverd, kjede og/eller skjæretenner i tillegg til brukket kjede eller sverd, og føre til at arbeidsstykket kastes tilbake, kjedet hopper av eller avkuttet materiale farer gjennom luften.
- **Sag bare ett arbeidsstykke om gangen.**
- **Ikke lad batteriet i regn eller på våte steder.**
- **Planlegg arbeidet og sikre hinderfrie arbeidsområder, og ved trefelling skal minst én fluktrute planlegges fra fallende trær.**
- **Ved felling skal tilskuere holdes minst to trelengder unna.**
- **Hvis situasjoner oppstår som ikke er dekket i denne håndboken, må du utvise forsiktighet og god dømmekraft. Kontakt EGOs kundeservice for å få hjelp.**

STYRESTANG

Denne saken er utstyrt med en styrestang som har en nese med liten radius. Nese med liten radius har generelt mindre potensial for tilbakeslag. Ved byte av styrestangen må man sørg for å bestille styrestangen som er oppført i denne bruksanvisningen.

TA VARE PÅ DISSE INSTRUKSJONENE!

ОБЩИЕ ПРАВИЛА ТЕХНИКИ БЕЗОПАСНОСТИ ПРИ РАБОТЕ С ЭЛЕКТРОИНСТРУМЕНТАМИ

⚠ ПРЕДУПРЕЖДЕНИЕ. Прочитайте все правила безопасности, инструкции, иллюстрации и спецификации, прилагаемые к этому электроинструменту. Невыполнение изложенных ниже инструкций может привести к поражению электрическим током, пожару и (или) тяжелым травмам.

СОХРАНИТЕ ВСЕ ПРЕДУПРЕЖДЕНИЯ И ИНСТРУКЦИИ ДЛЯ ИСПОЛЬЗОВАНИЯ В БУДУЩЕМ.

Термин «электроинструмент» в предупреждениях означает электрический инструмент с питанием от сети (с кабелем) или электрический инструмент с питанием от аккумулятора (без кабеля).

БЕЗОПАСНОСТЬ РАБОЧЕГО МЕСТА

- Обеспечьте чистоту и освещенность рабочего места. Загроможденные и плохо освещенные места служат причиной несчастных случаев.
- Не используйте электроинструменты во взрывоопасных местах, например вблизи горючих жидкостей, газов или пыли. Электроинструменты генерируют искры, которые могут воспламенить пыль или испарения.
- Не позволяйте детям и посторонним находиться вблизи работающего электроинструмента. Отвлекающие факторы могут привести к потере контроля.

ЭЛЕКТРОБЕЗОПАСНОСТЬ

- Вилка электроинструмента должна соответствовать розетке. Никогда не переделывайте вилку. Не используйте переходники для заземленного электроинструмента. Использование оригинальных вилок и соответствующих им розеток уменьшает риск поражения электрическим током.
- Избегайте прикосновений к заземленным объектам, таким как трубы, радиаторы, плиты и холодильники. Риск поражения электрическим током выше, когда тело заземлено.
- Не подвергайте электроинструменты воздействию дождя или влаги. При попадании воды в электроинструмент увеличивается риск поражения электрическим током.
- Обращайтесь с кабелем аккуратно. Никогда не переносите, не тяните и не выключайте электроинструмент за кабель. Держите кабель подальше от источников тепла, масла, острых предметов и движущихся частей. Поврежденные и запутанные кабели повышают риск поражения электрическим током.
- Для работы с электроинструментом вне помещения

используйте предназначенный для этого удлинительный кабель. Использование кабеля, подходящего для использования вне помещения, снижает риск поражения электрическим током.

- Если использование электроинструмента в сыром месте неизбежно, подключайте его через выключатель короткого замыкания на землю (ВКЗЗ). Использование ВКЗЗ уменьшает риск поражения электрическим током.

ЛИЧНАЯ БЕЗОПАСНОСТЬ

- При использовании электроинструмента будьте бдительны, следите за своими действиями и следуйте здравому смыслу. Не пользуйтесь электроинструментом, если вы устали или находитесь под воздействием наркотиков, алкоголя или медикаментов. Даже кратковременная невнимательность при работе с электроинструментом может привести к тяжелым травмам.
- Используйте средства индивидуальной защиты. Всегда используйте защитные средства для глаз. Защитное оборудование, такое как противовспылевая маска, нескользкая предохранительная обувь, жесткая каска или устройства защиты органов слуха в соответствующих условиях уменьшает риск травмирования.
- Не допускайте случайного запуска инструмента. Перед подключением электроинструмента к сети питания (или аккумулятора) и перед его переноской убедитесь, что выключатель находится в выключенном положении. Не держите палец на выключателе при переноске электроинструментов и не включайте вилку в розетку, если электроинструмент включен. Это может привести к несчастному случаю.
- Перед включением электроинструмента снимите с него регулировочные инструменты и гаечные ключи. Регулировочный инструмент или гаечный ключ, оставленный на вращающейся части электроинструмента, может стать причиной травмы.
- Не тянитесь. Всегда сохраняйте устойчивое положение и равновесие. Это позволит лучше контролировать электроинструмент в непредвиденных ситуациях.
- Одевайтесь надлежащим образом. Не надевайте свободную одежду и украшения. Держите волосы, одежду и перчатки подальше от движущихся частей. Свободная одежда, украшения и длинные волосы могут попасть в движущиеся части.
- При наличии устройств для отвода и сбора пыли убедитесь, что они подключены и правильно работают. Использование пылеулавливающих устройств снижает вред, причиняемый пылью.
- Не допускайте небрежности, которая может возникнуть из-за частого использования инструмента и повлечь за собой самоуверенность и игнорирование правил безопасности. Неосторожное действие может причинить серьезную травму за доли секунды.



ИСПОЛЬЗОВАНИЕ И ОБСЛУЖИВАНИЕ ЭЛЕКТРОИНСТРУМЕНТА

- Не прикладывайте к электроинструменту чрезмерных усилий. Используйте подходящий для ваших задач электроинструмент. Правильно выбранный электроинструмент более эффективен и безопасен при номинальной нагрузке.
- Не используйте электроинструмент, если его выключатель неисправен. Электроинструменты с неисправным выключателем опасны и подлежат ремонту.
- Перед регулировкой, сменой аксессуаров или хранением отключите электроинструмент от сети питания и (или) аккумулятора. Такие меры предосторожности уменьшают риск случайного запуска электроинструмента.
- Храните неиспользуемые электроинструменты в местах, недоступных для детей, и не доверяйте электроинструмент лицам, не знакомым с ним и с этими инструкциями. Электроинструменты опасны в руках неподготовленных пользователей.
- Выполняйте техническое обслуживание электроинструментов и принадлежностей. Проверьте выравнивание и сцепление подвижных деталей, наличие поломок и прочие условия, которые могут повлиять на работу электроинструмента. Если электроинструмент поврежден, перед использованием его необходимо отремонтировать. Недостаточный уход за электроинструментом является причиной многих несчастных случаев.
- Храните режущие инструменты в чистоте и заточенном состоянии. Правильно обслуживаемые и хорошо заточенные режущие инструменты меньше заклинивают и лучше контролируются.
- Используйте электроинструмент, аксессуары, насадки и т. п. в соответствии с этими инструкциями, учитывая условия и специфику выполняемой работы. Использование электроинструмента для выполнения непредусмотренных операций может привести к опасным ситуациям.
- Следите за тем, чтобы рукоятки и поверхности захвата были сухими и чистыми и на них не было масла или смазочного материала. Скользкие рукоятки и поверхности захвата могут привести к небезопасному обращению и (или) потере контроля над инструментом.

ЭКСПЛУАТАЦИЯ И ОБСЛУЖИВАНИЕ ИНСТРУМЕНТА С ПИТАНИЕМ ОТ АККУМУЛЯТОРА

- Заряжайте аккумулятор только с помощью зарядного устройства, указанного изготовителем. Зарядное устройство, предназначенное для одного типа аккумуляторных батарей, может стать причиной пожара при использовании с другим типом батарей.

- Используйте электроинструмент только со специально предназначенными для него аккумуляторами. Использование любого другого вида аккумуляторных батарей может стать причиной несчастных случаев или пожара.
- Когда аккумулятор не используется, храните его отдельно от металлических предметов — канцелярских скрепок, монет, ключей, гвоздей, винтов и др. — они могут соединить контакты. Короткое замыкание контактов аккумуляторной батареи может стать причиной ожогов или пожара.
- При неблагоприятных обстоятельствах из аккумулятора может потечь электролит; избегайте контакта с ним. При случайном контакте промойте водой. Если жидкость попала в глаза, обратитесь к врачу. Жидкость из аккумуляторной батареи может вызвать раздражение и ожоги.
- Не используйте аккумулятор и инструмент, если они повреждены или подвергались модификациям. Поведение поврежденных или модифицированных аккумуляторов может быть непредсказуемым, что приведет к возгоранию, взрыву и риску получения травм.
- Не подвергайте аккумуляторную батарею и инструмент воздействию огня и высокой температуры. Воздействие огня или температуры выше 130 °C может привести к взрыву.
- Следуйте всем инструкциям по зарядке и не заряжайте аккумулятор и инструмент при температуре, выходящей за пределы указанного диапазона. Если зарядка выполняется неправильно или в условиях неподходящей температуры, это может привести к повреждению аккумулятора и возгоранию.

РЕМОНТ

- Ремонт электроинструмента должен производиться квалифицированным специалистом с использованием только идентичных запасных частей. Это обеспечит безопасную работу электроинструмента.
- Никогда не выполняйте обслуживание поврежденного аккумулятора. Обслуживание аккумуляторов должно выполняться только производителем или в авторизованном сервисном центре.

МЕРЫ ПРЕДОСТОРОЖНОСТИ ПРИ РАБОТЕ С ЦЕПНОЙ ПИЛОЙ

- Не подставляйте руки и другие части тела под работающую пилу. Перед запуском инструмента убедитесь, что цепь ничего не касается. Из-за невнимательности при работе с цепной пилой можно случайно повредить одежду или получить серьезные травмы.
- Всегда держите цепную пилу правой рукой за заднюю рукоятку, а левой рукой — за переднюю.

RU

Неправильное положение рук при работе с пилой повышает риск несчастного случая.

- **Держите инструмент только за поверхности с защитным покрытием, так как цепь пилы может коснуться скрытой электропроводки.** Касание пилой проводки под напряжением может передать напряжение на металлические части электроинструмента и привести к поражению оператора электрическим током.
- **Используйте средства защиты глаз. Также рекомендуется использовать дополнительные защитные средства для слуха, головы, рук, ног и стоп.** Использование подходящей защитной одежды уменьшает риск получения травм от отлетающих щепок и случайного контакта с цепью пилы.
- **Не используйте цепную пилу, находясь на дереве, на лестнице, на крыше или любой другой неустойчивой поверхности.** Несоблюдение этого требования может привести к получению серьезной травмы.
- **Следите за равновесием и работайте с пилой, только стоя на надежной и ровной поверхности.** При работе на скользких и неустойчивых поверхностях, например на лестницах, можно легко потерять равновесие и контроль над пилой.
- **При обрезании натянутых ветвей берегите отдачу.** Натянутые ветви могут ударить оператора, что в свою очередь может привести к потере управления цепной пилой.
- **Будьте предельно осторожны при обрезке кустарников и молодой поросли.** Тонкие ветви могут попасть в цепь и отлететь в сторону оператора либо привести к потере равновесия.
- **Переносите пилу в выключенном состоянии за переднюю рукоятку на безопасном расстоянии от тела.** При транспортировке и хранении необходимо всегда надевать на шину цепи защитный чехол. Правильное обращение с пилой уменьшает вероятность случайного касания движущейся пильной цепи.
- **При смазке, натяжении цепи и замене частей инструмента следуйте инструкциям.** Неправильно натянутая или смазанная цепь может порваться либо увеличить риск отдачи.
- **Следите за тем, чтобы рукоятки были сухими и чистыми и на них не было масла или смазочного материала.** Скользкие масляные рукоятки могут привести к потере управления.
- **Инструмент предназначен только для распиливания дерева. Используйте цепную пилу только по назначению. Например, не используйте устройство для резки пластмассы, кирпичной кладки и других материалов, кроме древесины.** Использование цепной пилы для выполнения непредусмотренных операций может привести к опасным ситуациям.
- **Не приступайте к валке дерева, пока не оцените**

все возможные риски и не предпримите меры, чтобы избежать их. При валке дерева оператор или посторонние лица могут получить тяжелые травмы.

ПРИЧИНЫ И СПОСОБЫ ПРЕДОТВРАЩЕНИЯ ОТДАЧИ

Отдача может произойти, когда конец шины цепи касается какого-либо предмета или когда дерево сжимается и блокирует цепь во время распила (Рис. А).

При касании предметов кончиком шины инструмент может отскочить вверх и назад по направлению к оператору (Рис. В).

Зажатие пильной цепи в верхней части шины может привести к тому, что инструмент отскочит в сторону оператора (Рис. С).

В обоих случаях это может привести к потере контроля над цепной пилой и получению серьезных травм. Не полагайтесь исключительно на защитные устройства, которыми оснащена пила.

Во избежание травм и несчастных случаев при работе следует соблюдать определенные правила.

Отдача является результатом неправильного использования инструмента и (или) несоблюдения инструкций или условий работы. Приведенные ниже меры предосторожности позволяют предотвратить возникновение отдачи.

- **Крепко держите инструмент за рукоятки обеими руками. Примите такое положение, которое позволит сопротивляться отдаче (Рис. D).** Принятие соответствующих мер предосторожности позволяет контролировать силу отдачи. Не оставляйте пилу без присмотра.
- **Не тянитесь и не распиливайте предметы, которые находятся выше уровня плеч.** Это позволит избежать случайных касаний концом шины и обеспечит лучший контроль над пилой в непредвиденных ситуациях.
- **Для замены используйте только шины и цепи, рекомендованные производителем.** Использование неподходящей шины или цепи может привести к обрыву цепи и (или) отдаче.
- **Следуйте рекомендациям производителя по заточке и обслуживанию цепной пилы.** Уменьшение высоты ограничителя глубины может усилить отдачу.
- **Убедитесь, что на рабочем участке нет посторонних предметов.** Следите за тем, чтобы во время работы конец шины не касался бревен, веток, ограды и других препятствий.
- **Выполняйте распиливание только на полных оборотах пилы.** Нажмите на курок до упора и поддерживайте соответствующую скорость.
- **Понимание того, как происходит отдача, позволяет уменьшить или полностью исключить элемент неожиданности.** Любая неожиданность опасна и может привести к несчастному случаю.

RU

- **Всегда сохраняйте устойчивое положение и равновесие.**
- **Обратные силы.** Сила противодействия всегда действует в направлении, обратном направлению движения цепи в месте ее контакта с заготовкой. В связи с этим оператор должен быть готов к тому, что инструмент будет тянуть его ВПЕРЕД при работе нижней кромкой шины и толкать НАЗАД при работе верхней кромкой (Рис. Е).

СРЕДСТВА ЗАЩИТЫ ОТ ОТДАЧИ ЦЕПНОЙ ПИЛЫ ЦЕПНОЙ ТОРМОЗ

Цепная пила оборудована цепным тормозом, который останавливает двигатель и цепь при отдаче. Цепной тормоз срабатывает при передвижении ручки тормоза вперед вследствие обратного движения во время отдачи. Кроме того, он может сработать из-за инерционных сил, появляющихся во время быстрого противодействия.

⚠ ПРЕДУПРЕЖДЕНИЕ. Не вносите изменения в конструкцию цепного тормоза и не отключайте его.

Прежде чем использовать пилу, убедитесь, что цепной тормоз работает нормально. Ручка тормоза должна свободно перемещаться вперед и назад.

- Для проверки работы цепного тормоза выполните следующие действия (Рис. F).
- Установите пилу на ровную поверхность и убедитесь, что шина и цепь не касаются никаких объектов и препятствий.
- Отключите цепной тормоз, потянув за ручку тормоза в направлении передней рукоятки.
- Включите пилу.
- Переместите ручку тормоза вперед. При нормальной работе тормоза цепь немедленно остановится. Не используйте инструмент, если цепной тормоз работает неправильно. Его должен отремонтировать квалифицированный специалист.

F-1	Ручка цепного тормоза в рабочем положении
F-2	Ручка цепного тормоза в положении тормоза

⚠ ПРЕДУПРЕЖДЕНИЕ. Проверяйте работу цепного тормоза перед каждым использованием.

⚠ ПРЕДУПРЕЖДЕНИЕ. Цепной тормоз может работать неправильно, если он забьется опилками. Следите за чистотой инструмента.

ПИЛЬНАЯ ЦЕПЬ С НИЗКОЙ ОТДАЧЕЙ

Ограничители подачи (ограничительные зубья), расположенные перед каждым зубом, позволяют снизить силу отдачи за счет того, что не дают зубьям входить в заготовку слишком глубоко в

месте появления отдачи. Для замены используйте только идентичные цепи или цепи, допущенные производителем.

⚠ ВНИМАНИЕ! Вследствие заточки в течение срока службы цепи начинают давать более сильную отдачу — будьте осторожны.

ДОПОЛНИТЕЛЬНЫЕ ПРЕДУПРЕЖДЕНИЯ

- Цепную пилу необходимо держать двумя руками. Использование устройства одной рукой может привести к серьезным травмам оператора, помощников и (или) посторонних лиц.
- Избегайте случайного контакта с неподвижной пильной цепью или шиной. Они могут быть очень острыми. При работе с пилой, цепью или шиной обязательно надевайте перчатки и длинные ботинки.
- Не используйте поврежденный или неправильно отрегулированный инструмент, а также инструмент, собранный неправильно или не до конца. Убедитесь, что цепь останавливается при отпускании куркового переключателя.
- Перед работой проверьте заготовку на наличие гвоздей, проводов и других посторонних предметов.
- Перед распиливанием закрепите заготовку. При валке и обрезке деревьев найдите опасные ветки и закрепите их.
- Интенсивная или неправильная эксплуатация цепной пилы может привести к преждевременному износу шины, цепи и (или) зубчатого колеса, а также к разрыву цепи, поломке шины, сильной отдаче, выбрасыванию цепи или материала.
- Никогда не используйте направляющую шину в качестве рычага. Деформация направляющей шины может привести к преждевременному износу шины, цепи и (или) зубчатого колеса, а также поломке цепи или шины, что может вызвать отдачу и отбрасывание цепи или разрезаемого материала.
- Распиливайте только одну заготовку за раз.
- Не заряжайте аккумулятор под дождем или во влажных условиях.
- Планируйте свою работу. Следите за тем, чтобы в рабочей зоне не было препятствий, а при валке деревьев продумайте хотя бы один путь отхода.
- При валке деревьев посторонние должны находиться не ближе, чем на расстоянии, в два-три раза превышающем высоту дерева.
- При возникновении ситуаций, не описанных в данном руководстве, соблюдайте осторожность и руководствуйтесь здравым смыслом. Для получения помощи обращайтесь в службу поддержки клиентов EGO.



ШИНА ЦЕПИ

Пила поставляется с шиной с узким кончиком. Такие шины, как правило, дают меньшую отдачу. При замене шины выбирайте запчасти из списка, приведенного в данном руководстве.

СОХРАНИТЕ ДАННОЕ РУКОВОДСТВО!

RU

OGÓLNE OSTRZEŻENIA DOTYCZĄCE BEZPIECZEŃSTWA UŻYWANIA ELEKTRONARZĘDZI

⚠ OSTRZEŻENIE: Prosimy przeczytać wszystkie ostrzeżenia i instrukcje oraz przestudiować specyfikację i ilustracje dostarczone wraz z elektronarzędziem. Niestosowanie się do wszystkich podanych niżej instrukcji może doprowadzić do porażenia prądem, pożaru i/lub poważnych obrażeń.

PROSIMY ZACHOWAĆ NA PRZYSZŁOŚĆ WSZYSTKIE OSTRZEŻENIA I INSTRUKCJE.

Termin „elektronarzędzie” występujący w ostrzeżeniach dotyczy narzędzia elektrycznego o zasilaniu sieciowym (przewodowego) lub akumulatorowym (beprzewodowego).

BEZPIECZEŃSTWO W MIEJSCU PRACY

- Należy dbać o czystość i dobre oświetlenie w miejscu pracy. Bałagan i złe oświetlenie sprzyjają wypadkom.
- Nie należy używać elektronarzędzi w miejscach zagrożonych wybuchem, np. w obecności łatwopalnych cieczy, gazów lub pyłu. Elektronarzędzia wytwarzają iskry, które mogą zapalić opary lub pył.
- W czasie pracy elektronarzędzie należy trzymać z dala od dzieci i osób postronnych. Chwila nieuwagi może spowodować utratę kontroli nad urządzeniem.

BEZPIECZEŃSTWO ELEKTRYCZNE

- Wtyczki elektronarzędzi muszą pasować do gniazdek. Nigdy w jakikolwiek sposób nie wolno przerabiać wtyczki. Do elektronarzędzi wymagających uziemienia nie należy używać przejściówek. Oryginalne wtyczki i pasujące do nich gniazdzka zmniejszają ryzyko porażenia prądem.
- Należy unikać dotykania ciałem powierzchni uziemionych, takich jak np. rury, kaloryfery, kuchenki i lodówki. Uziemienie ciała zwiększa ryzyko porażenia prądem.
- Elektronarzędzia należy chronić przed deszczem i wilgocią. Woda dostająca się do wnętrza elektronarzędzia zwiększa ryzyko porażenia prądem.
- Nie należy nadwyrażać przewodu. Nigdy nie należy używać przewodu do noszenia lub ciągnięcia elektronarzędzia; nie należy chwycić za przewód, aby wyjąć wtyczkę z kontaktu. Przewód należy chronić przed gorącym, ropą, olejem, ostrymi krawędziami i poruszającymi się częściami. Zapłacone lub uszkodzone przewody zwiększają ryzyko porażenia prądem.
- Podczas używania elektronarzędzia na dworze należy stosować przedłużacz nadający się do używania na dworze. Używanie przewodu

przeznaczonego do stosowania na dworze zmniejsza ryzyko porażenia prądem.

- Jeżeli użycie elektronarzędzia w miejscu o dużej wilgotności jest nieuniknione, należy stosować zasilanie zabezpieczone wyłącznikiem różnicowoprądowym. Używanie wyłącznika różnicowoprądowego zmniejsza ryzyko porażenia prądem.

BEZPIECZEŃSTWO OSOBISTE

- Podczas pracy narzędziem należy zachowywać czujność, patrzeć, co się robi i kierować się zdrowym rozsądkiem. Nie należy używać elektronarzędzia, gdy użytkownik jest zmęczony, albo jest pod wpływem narkotyków, alkoholu lub leków. Chwila nieuwagi w czasie posługiwania się elektronarzędziami może spowodować poważne obrażenia.
- Należy używać środków ochrony osobistej. Należy zawsze nosić okulary ochronne. Stosowanie w odpowiednich warunkach sprzętu ochronnego takiego jak np. maska przeciwpyłowa, obuwie ochronne z podeszwami antypoślizgowymi, kask lub ochronniki słuchu zmniejszą ewentualne obrażenia.
- Nie należy dopuszczać do przypadkowego włączenia. Należy pilnować, aby przed podłączeniem narzędzia do zasilania i/lub baterii akumulatorowej oraz przed podniesieniem i przenoszeniem przełącznik był ustawiony w pozycji „wylączone”. Trzymanie palca na przełączniku włączającym w czasie przenoszenia elektronarzędzi lub podłączanie ich do zasilania, gdy przełącznik ustawiony jest w pozycji „włączone”, może doprowadzić do wypadku.
- Przed włączeniem elektronarzędzia należy usunąć wszystkie klucze regulacyjne i inne narzędzia. Klucze zaczepiony o obracającą się część elektronarzędzia może spowodować obrażenia.
- Nie należy sięgać za daleko. Należy zawsze dbać o utrzymanie równowagi i pewne podparcie nóg. W nieprzewidzianych sytuacjach zapewnią to lepszą kontrolę nad elektronarzędziem.
- Należy nosić odpowiednią odzież. Nie powinno się nosić luźnych ubrań ani biżuterii. Włosy, odzież i rękawice należy trzymać z dala od poruszających się części. Luźne ubrania, biżuteria lub długie włosy mogą zaczepić się o poruszające się części.
- Jeżeli urządzenie jest przystosowane do podłączania do odsysacza pyłu i urządzenia zbierającego, należy dopilnować, aby systemy te były podłączone i właściwie stosowane. Używanie urządzeń służących do pochłaniania pyłu może zmniejszyć zagrożenia związane z pyłem.

- **Nie wolno dopuścić do tego, aby poczucie znajomości narzędzia wynikające z jego częstego używania doprowadziło do lekceważenia i ignorowania zasad bezpieczeństwa.** Jedno lekkomyślne działanie może w ułamku sekundy doprowadzić do ciężkich urazów.

UŻYWANIE I KONSERWOWANIE ELEKTRONARZĘDZI

- **Elektronarzędzia nie należy forsować. Należy używać narzędzia dostosowanego do wykonywanej pracy.** Odpowiednie narzędzie elektryczne wykona pracę lepiej i bezpieczniej, gdy pozwoli mu się pracować z prędkością/obrotami do jakich zostało zaprojektowane.
- **Nie należy używać elektronarzędzia, jeżeli przełącznik zasilania nie włącza go lub nie wyłącza.** Elektronarzędzie, którego nie da się kontrolować przełącznikiem, jest potencjalnie niebezpieczne i wymaga naprawy.
- **Przed jakąkolwiek regulacją, wymianą akcesoriów lub schowaniem elektronarzędzia należy wyjąć wtyczkę z gniazdka i/lub odłączyć od narzędzia akumulator.** Tego typu zapobiegawcze środki ostrożności zmniejszają ryzyko przypadkowego włączenia się elektronarzędzia.
- **Nieużywane elektronarzędzia należy przechowywać w miejscu niedostępnym dla dzieci. Osobom, które nie znają narzędzia lub nie zapoznały się z instrukcją nie należy pozwalać go używać.** W rękach nieprzeszkolonych użytkowników elektronarzędzia mogą stanowić zagrożenie.
- **Elektronarzędzia i akcesoria należy utrzymywać w dobrym stanie. Należy kontrolować, czy części ruchome nie są odchylone od osi, nie zacinają się i nie są pęknięte lub uszkodzone w inny sposób, który mógłby wpłynąć na działanie elektronarzędzia. W razie uszkodzenia, przed użyciem narzędzie należy oddać do naprawy.** Wiele wypadków wynika z złej konserwacji elektronarzędzi.
- **Należy dbać o czystość i naostrzenie narzędzi tnących.** Odpowiednio utrzymane narzędzia tnące z ostrymi krawędziami tnącymi są mniej narażone na zakleszczanie się i łatwiej jest je kontrolować.
- **Elektronarzędzi, akcesoriów, wiertel, bitów, itp. należy używać zgodnie z niniejszą instrukcją, z uwzględnieniem warunków i rodzaju wykonywanej pracy.** Korzystanie z elektronarzędzi niezgodnie z przeznaczeniem może prowadzić do niebezpiecznych sytuacji.
- **Należy dbać o to, aby uchwyty i powierzchnie do trzymania były suche, czyste i niezaplamione olejem lub smarem.** Śliskie uchwyty i powierzchnie do trzymania mogą prowadzić do niebezpiecznych sytuacji i/lub utraty kontroli nad narzędziem.

UŻYWANIE I KONSERWOWANIE NARZĘDZI AKUMULATOROWYCH

- **Do ładowania należy używać wyłącznie ładowarki wskazanej przez producenta.** Użycie ładowarki pochodzącej od jednego akumulatora do ładowania innego akumulatora grozi pożarem.
- **Elektronarzędzi należy używać wyłącznie z dedykowanymi do nich akumulatorami.** Użycie jakiegokolwiek innych akumulatorów grozi obrażeniami i pożarem.
- **Jeżeli akumulator nie jest używany, należy go przechowywać z dala od innych przedmiotów metalowych, np. spinaczy, monet, kluczy, gwoździ, śrub i innych drobnych przedmiotów metalowych, które mogłyby spowodować zwarcie wyprowadzeń akumulatora.** Zwarcie wyprowadzeń akumulatora może doprowadzić do oparzenia lub pożaru.
- **W niesprzyjających warunkach może dojść do wycieku cieczy z akumulatora. Należy wtedy unikać wszelkiego kontaktu z tą cieczą. W razie przypadkowego kontaktu ze skórą, zabrudzone miejsce należy obficie przemyć wodą. Jeżeli płyn dostanie się do oczu, należy dodatkowo zasięgnąć porady lekarza.** Płyn wyciekający z akumulatora może powodować podrażnienie lub oparzenia.
- **Nie należy używać akumulatora lub narzędzia, które są uszkodzone lub zostały poddane przeróbkom.** Uszkodzone lub zmodyfikowane akumulatory mogą zachowywać się w sposób nieprzewidywalny, co może doprowadzić do pożaru lub wybuchu lub stwarzać ryzyko urazów.
- **Nie należy narażać akumulatora lub narzędzia na kontakt z ogniem lub zbyt wysokimi temperaturami.** Ogień lub temperatury przekraczające 130°C mogą doprowadzić do wybuchu.
- **Należy przestrzegać wszystkich instrukcji ładowania. Nie należy ładować akumulatora lub narzędzia poza przedziałem temperatur podanym w instrukcji.** Ładowanie w sposób nieprawidłowy lub w temperaturze wykraczającej poza określony zakres może doprowadzić do uszkodzenia akumulatora i zwiększa ryzyko pożaru.

SERWISOWANIE

- **Serwisowanie elektronarzędzia należy powierzać wykwalifikowanemu serwisantowi, a do naprawy używać wyłącznie części zamiennych identycznych z oryginalnymi.** Zapewni to bezpieczeństwo eksploatacji elektronarzędzia.

- **Uszkodzonych akumulatorów nie należy nigdy naprawiać.** Jakiegokolwiek czynności serwisowe przy akumulatorach powinny być wykonywane wyłącznie przez producenta lub pracowników autoryzowanego serwisu.

OSTRZEŻENIA DOTYCZĄCE PILARKI ŁAŃCUCHOWEJ

- **Podczas pracy pilarką wszystkie części ciała należy trzymać w bezpiecznej odległości od łańcucha. Przed włączeniem pilarki należy upewnić się, że łańcuch niczego nie dotyka.** W czasie posługiwania się pilarką wystarczy chwila nieuwagi, aby zaczepić łańcuchem o odzież lub dotknąć części ciała.
- **Pilarkę należy zawsze trzymać prawą ręką na uchwycie tylnym, a lewą na uchwycie przednim.** Trzymanie pilarki w odwrotnej konfiguracji rąk zwiększa ryzyko obrażeń i dlatego nigdy nie powinno mieć miejsca.
- **Pilarkę należy trzymać za izolowane uchwyty, ponieważ łańcuch pilarki może natrafić na ukryte przewody.** Dotknięcie łańcuchem tnącym przewodu pod napięciem może spowodować, że przez niez izolowane elementy metalowe narzędzia popłynie prąd, co grozi operatorowi porażeniem.
- **Należy nosić okulary ochronne. Zaleca się także stosowanie dodatkowego wyposażenia ochronnego na uszy, głowę, ręce, nogi i stopy.** Odpowiednia odzież ochronna ograniczy urazy spowodowane lecącymi odłamkami lub przypadkowym dotknięciem łańcucha pilarki.
- **Nie należy używać pilarki na drzewie, drabinie, dachu lub na niestabilnym podłożu.** Używanie pilarki w taki sposób może doprowadzić do poważnych urazów.
- **Należy zawsze dbać o pewne podparcie stóp i włączać pilarkę dopiero wtedy, gdy użytkownik stanie na nieruchomej, bezpiecznej i równej powierzchni.** Śliskie i niestabilne powierzchnie takie jak np. drabina mogą doprowadzić do utraty równowagi i kontroli nad pilarką.
- **Podczas przecinania naprężonej gałęzi należy liczyć się z tym, że gałąź odlegnie się i odskoczy.** Gdy zniknie siła dociskająca, odgięta gałąź może uderzyć pilarkę i/lub w niekontrolowany sposób wytrącić mu pilarkę z rąk.
- **Szczególą ostrożność należy zachować podczas przycinania krzaków i młodych drzewek.** Włotki materiał może wkręcić się w łańcuch pilarki, nagiąć się i uderzyć pilarkę, co może spowodować utratę równowagi.

- **Pilarkę należy nosić wyłączoną, z dala od ciała. Należy ją trzymać za uchwyt przedni. Na czas transportowania lub przechowywania pilarki na prowadnicę należy zawsze zakładać osłonę.** Właściwe obchodzenie się z pilarką zmniejsza prawdopodobieństwo przypadkowego dotknięcia poruszającego się łańcucha pilarki.
- **Prosimy przestrzegać instrukcji dotyczących smarowania, napinania łańcucha i wymiany akcesoriów.** Niewłaściwe napięcie oraz nieodpowiednie nasmarowanie łańcucha mogą doprowadzić do jego pęknięcia oraz zwiększają ryzyko odbicia.
- **Należy dbać o to, aby uchwyty były suche, czyste i niezaplamione olejem lub smarem.** Zatluszczone i zaplamione olejem uchwyty są śliskie, co prowadzi do utraty kontroli nad urządzeniem.
- **Należy pilować wyłącznie elementy drewniane. Nie należy używać pilarki niezgodnie z przeznaczeniem. Na przykład: nie należy używać pilarki do piłowania elementów plastikowych, wyrobów kamieniarskich lub niedrewnianych materiałów budowlanych.** Korzystanie z pilarki niezgodnie z przeznaczeniem może prowadzić do niebezpiecznych sytuacji.
- **Nie należy próbować obalić drzewa zanim się nie zrozumie związanego z tym ryzyka oraz sposobów jego unikania.** Podczas obalania drzewa może dojść do ciężkich urazów operatora lub osób postronnych.

PRZYCZYNY ODBIJAŃ I SPOSOBY ZAPOBIEGANIA MU

Do odbicia może dojść w sytuacji, gdy czubek lub koniec prowadnicy dotknie jakiegoś przedmiotu lub gdy drewno zacznie zaciskać się i zakleszczać na łańcuchu w nacięciu (Rys A).

W niektórych przypadkach dotknięcie czubkiem prowadnicy może spowodować nagle odskoczenie prowadnicy w górę i do tyłu w stronę operatora (Rys B).

Zakleszczanie się łańcucha tnącego wzdłuż górnej krawędzi prowadnicy może gwałtownie popchnąć prowadnicę w tył w stronę operatora (Rys C).

Każda z tych sytuacji może doprowadzić do utraty kontroli nad pilarką i do poważnych obrażeń. Nie należy polegać wyłącznie na wbudowanych w pilarkę mechanizmach zabezpieczających. Użytkownik pilarki powinien podjąć wszelkie możliwe kroki w celu zabezpieczenia się przed wypadkiem lub obrażeniami.

Odbicie jest efektem nieprawidłowego używania narzędzia, stosowania niewłaściwych procedur lub wystąpienia niebezpiecznych warunków. Odbicia można uniknąć przez podjęcie odpowiednich środków zapobiegawczych:

Pilarkę należy zawsze pewnie trzymać obydwoma rękoma; kciuki i palce należy zaciskać na jej uchwytach, a ciało i ramiona ustawić w taki sposób, aby móc zamortyzować szarpnięcia w tył (Rys D). O ile zawczasu podjęte zostaną odpowiednie środki zapobiegawcze, odbicie da się kontrolować. Nie wolno dopuścić do wypuszczenia pilarki z rąk.

- **Nie należy sięgać za daleko ani przecinać elementów znajdujących się powyżej wysokości ramion.** Pomaga to zapobiec nieumyślnemu dotknięciu przeszkód końcówką prowadnicy, a w nieprzewidzianych sytuacjach zapewnia lepszą kontrolę nad pilarką.
- **Jako części zamiennych należy używać wyłącznie prowadnic i łańcuchów określonych przez producenta.** Niewłaściwe prowadnice i łańcuchy mogą doprowadzić do pęknięcia łańcucha i/lub odbicia.
- **Należy przestrzegać instrukcji producenta dotyczących ostrzenia i konserwacji łańcucha tnącego.** Zmniejszenie wysokości ogranicznika zagłębienia łańcucha może zwiększyć podatność na odbicie.
- **Należy upewnić się, że w miejscu piłowania nie występują żadne przeszkody.** Nie należy dopuszczać do tego, aby koniec prowadnicy dotknął kłody, gałęzi, płotu lub innych przeszkód, które mogłyby zostać uderzone podczas pracy pilarką.
- **Należy zawsze piłować pilarką pracującą na pełnych obrotach.** Aby utrzymać prędkość cięcia, należy całkowicie wcisnąć przełącznik spustowy.
- **Podstawowe zrozumienie zjawiska odbicia pozwala ograniczyć lub wyeliminować element zaskoczenia.** Zaskoczenie przyczynia się do wypadków.
- **Należy zawsze dbać o utrzymanie równowagi i pewne podparcie nóg.**
- **Popychanie i ciągnięcie** – Siła reakcji jest zawsze skierowana przeciwnie do kierunku poruszania się łańcucha w punkcie dotknięcia drewna. Dlatego też, operator musi być gotowy, aby CIĄGNAĆ, gdy cięcie odbywa się dolną krawędzią prowadnicy, oraz aby PCHAC, gdy cięcie odbywa się górną krawędzią (Rys. E).

UKŁADY ZABEZPIECZAJĄCE PRZED ODBICIEM W TEJ PILARCE ŁAŃCUCHOWEJ

HAMULEC ŁAŃCUCHA

Pilarka jest wyposażona w hamulec łańcucha, który w przypadku wystąpienia odbicia zatrzymuje zarówno silnik jak i ruch łańcucha. Hamulec łańcucha może zostać

uruchomiony przez poruszenie się do przodu uchwytu hamulca odbicia łańcucha, ponieważ w chwili odbicia pilarka kręci się do tyłu; może też zostać uruchomiony siłą bezwładności powstającą podczas gwałtownego popchnięcia w tył.

⚠ OSTRZEŻENIE: Nigdy nie należy próbować przerabiać ani wylaczać hamulca łańcucha.

Przed użyciem pilarki należy upewnić się, czy hamulec łańcucha działa prawidłowo. Uchwyt hamulca odbicia łańcucha powinien się bez oporów poruszać do tyłu i do przodu.

- Aby sprawdzić działanie hamulca łańcucha, należy wykonać następujące kroki (Rys. F):
- Położyć pilarkę łańcuchową na płaskiej powierzchni i upewnić się, że w najbliższym otoczeniu nie ma żadnych innych przedmiotów lub przeszkód, które mogłyby stykać się z prowadnicą i łańcuchem.
- Aby zwolnić hamulec łańcucha, pociągnąć do uchwytu przedniego uchwyt hamulca odbicia łańcucha.
- Włączyć pilarkę.
- Popchnąć uchwyt hamulca odbicia łańcucha do przodu pilarki. Dobrze działający hamulec ręczny natychmiast zatrzyma ruch łańcucha. Jeśli hamulec łańcucha nie działa prawidłowo, nie należy używać pilarki do czasu naprawienia go przez wykwalifikowanego technika serwisu.

F-1	Uchwyt hamulca odbicia łańcucha w pozycji pracy
F-2	Uchwyt hamulca odbicia łańcucha w pozycji hamowania

⚠ OSTRZEŻENIE: Przed użyciem należy upewnić się, że hamulec łańcucha działa prawidłowo.

⚠ OSTRZEŻENIE: Jeżeli hamulec łańcucha zapcha się wiórami, skuteczność jego działania może się pogorszyć. Należy dbać o to, aby urządzenie było zawsze czyste.

ŁAŃCUCH DO PILARKI O MAŁYM ODBICIU

Ogranicznik zagłębienia przed każdym zębem tnącym może zminimalizować siłę reakcji odbicia zapobiegając zbyt głębokiemu wgrzaniu się zęba w strefie odbicia. Należy używać wyłącznie łańcuchów na wymianę równoważnych oryginalnemu łańcuchowi lub posiadających stosowny atest/certyfikat.

⚠ UWAGA: Ponieważ łańcuchy do pilarek są przez cały okres ich używania ostrzone, stopniowo tracą część swoich właściwości zapobiegających odbiciu, dlatego też należy zachować ostrożność.

DODATKOWE OSTRZEŻENIA

- **Pilarka jest przeznaczona do pracy oburącz.** Posługiwanie się narzędziem jedną ręką może spowodować poważne obrażenia operatora, jego pomocników i/lub osób postronnych.
- **Należy unikać nieumyślnego dotykania nieruchomego łańcucha tnącego lub szyn prowadnicy.** Elementy te mogą być bardzo ostre. Na czas wykonywania prac przy pilarence, jej łańcuchu lub prowadnicy należy zawsze zakładać rękawice i długie spodnie lub skórzane ochraniacze na spodnie.
- **Nigdy nie należy używać pilarki uszkodzonej, niewłaściwie wyregulowanej, albo złożonej nie w pełni i nie w sposób gwarantujący całkowite bezpieczeństwo.** Należy upewnić się, że po puszczeniu przycisku spustowego łańcuch tnący się zatrzymuje.
- **Przed rozpoczęciem piłowania należy skontrolować przecinany element pod kątem gwoździ, drutów i innych przedmiotów.**
- **Podczas piłowania kłód na kawałki, przed wykonaniem cięcia należy zamocować przecinany element.** Podczas obalania lub okrzesywania należy określić i zabezpieczyć niebezpieczne gałęzie.
- **Agresywne lub zbyt gwałtowne cięcie lub używanie pilarki w sposób niewłaściwy może prowadzić do przedwczesnego zużycia prowadnicy, łańcucha i/lub zębątki, a także do zerwania łańcucha lub złamania prowadnicy, w konsekwencji czego może dojść do odbicia, wyrzucenia łańcucha lub wybicia w powietrze materiału.**

PL

- **Nigdy nie wolno używać prowadnicy jako dźwigni.** Skrzywienie prowadnicy może doprowadzić do jej przedwczesnego zużycia oraz do szybszego zużycia łańcucha i/lub zębątki, a także do zerwania łańcucha lub złamania prowadnicy, w konsekwencji czego może dojść do odbicia, wyrzucenia łańcucha lub wybicia w powietrze materiału.
- **Elementy należy przecinać po jednym.**
- **Akumulatora nie należy ładować na deszczu i miejscach wilgotnych.**
- **Wykonywane prace należy zaplanować, tak aby w miejscu pracy nie znajdowały się żadne przeszkody.** W przypadku obalania, należy zaplanować co najmniej jedną ścieżkę oddalania się od obalanego drzewa.
- **Podczas obalania osoby postronne powinny znajdować się w odległości co najmniej dwóch wysokości drzewa.**
- **W sytuacjach, które nie zostały przewidziane w niniejszej instrukcji należy zachować ostrożność i kierować się własnym zdrowym rozsądkiem.** W celu uzyskania pomocy prosimy skontaktować się z punktem obsługi klienta EGO.

PROWADNICA

Pilarka posiada prowadnicę z czubkiem o małym promieniu. Na ogół czubki o małym promieniu są mniej podatne na zjawisko odbicia. Przy wymianie prowadnicy należy koniecznie zamówić prowadnicę wskazaną w niniejszej instrukcji.

ZACHOWAJ TĘ INSTRUKCJĘ!

OBECNÁ BEZPEČNOSTNÍ VAROVÁNÍ PRO PRÁCI S ELEKTRICKÝM NÁŘADÍM

VAROVÁNÍ: Přečtěte si všechny bezpečnostní výstrahy, pokyny, ilustrace a technické údaje dodané s tímto elektrickým nářadím. Nedodržení všech níže uvedených pokynů může vést k úrazu elektrickým proudem, požáru a/nebo vážnému úrazu.

VŠECHNA VAROVÁNÍ A POKYNY SI USCHOVEJTE PRO BUDOUCÍ POUŽITÍ.

Termín „elektrické nářadí“ ve varováních odkazuje na vaše elektrické (s kabelem) nebo akumulátorové (bez kabelu) elektrické nářadí.

BEZPEČNOST NA PRACOVÍŠTI

- **Udržujte pracovní prostor v čistotě a dobře osvětlený.** Nepořádek nebo neosvětlené pracovní oblasti mohou vést k úrazům.
- **Nepracujte s elektrickým nářadím ve výbušném prostředí, například v přítomnosti hořlavých kapalin, plynů nebo prachu.** Elektrické nářadí je zdrojem jiskření, které může zapálit prach nebo výpary.
- **Při práci s elektrickým nářadím udržujte děti a přihlízející osoby v bezpečné vzdálenosti.** Při rozptýlení můžete ztratit kontrolu nad zařízením.

ELEKTRICKÁ BEZPEČNOST

- **Zástrčky elektrického nářadí musí odpovídat zásuvkám. V žádném případě nikdy neupravujte zástrčku.** Nepoužívejte adaptér zástrčky s uzemněným (ukostřeným) elektrickým nářadím. Neupravené zástrčky a shodné zásuvky snižují riziko úrazu elektrickým proudem
- **Zabraňte kontaktu těla s uzemněnými povrchy, jako jsou potrubí, radiátory, sporáky a ledničky.** Existuje zvýšené riziko úrazu elektrickým proudem, pokud je vaše tělo uzemněno.
- **Nevystavujte elektrické nářadí dešti nebo vlhkému prostředí.** Vniknutí vody do elektrického nářadí zvyšuje riziko úrazu elektrickým proudem.
- **Nezatěžujte kabel. Nikdy nepoužívejte napájecí kabel k přenášení nářadí, tahání nebo vytahování zástrčky ze zásuvky. Udržujte kabel daleko od tepla, oleje, ostrých hran nebo pohyblivých částí.** Poškozené nebo spletené kabely zvyšují riziko úrazu elektrickým proudem.
- **Při práci s nářadím venku používejte prodlužovací kabel vhodný pro venkovní použití.** Použití kabelu vhodného pro venkovní použití snižuje riziko úrazu elektrickým proudem.

- **Pokud musíte s elektrickým nářadím pracovat ve vlhkém prostředí, použijte napájení chráněné zemním jističem.** Použití přerušovače zemního obvodu (GFCI) snižuje riziko úrazu elektrickým proudem.

BEZPEČNOST OSOB

- **Zůstaňte stále pozorní, sledujte, co děláte a používejte zdravý rozum při práci s elektrickým nářadím. Nepoužívejte elektrické nářadí, jste-li unavení nebo pod vlivem drog, alkoholu nebo léků.** Chvilka nepozornosti při práci s nářadím může vést k vážnému zranění.
- **Používejte osobní ochranné pracovní prostředky. Vždy používejte ochranu očí.** Ochranné pomůcky, jako např. respirátor, protiskluzová bezpečnostní obuv, pevná přilba nebo chrániče sluchu používané ve vhodném prostředí sniží riziko úrazu.
- **Zabraňte náhodnému spuštění. Před připojením ke zdroji napětí a/nebo akumulátoru, zvednutím nebo přenášením nářadí se ujistěte, že spínač je ve vypnuté poloze.** Přenášení elektrického nářadí s prstem na spínači, nebo zapojování elektrického nářadí, které má zapnutý spínač, může snadno způsobit nehodu či úraz.
- **Před zapnutím elektrického nářadí odstraňte seřizovací klíče nebo klíče.** Nástroj nebo klíč, který ponecháte připevněn k otáčející se části elektrického nářadí, může způsobit osobní zranění.
- **Nepřeceňujte se. Vždy udržujte pevný postoj a rovnováhu.** To umožňuje lepší ovladatelnost nářadí v neočekávaných situacích.
- **Správně se oblékněte. Nenoste volný oděv ani šperky. Udržujte své vlasy, oblečení a rukavice mimo dosah pohyblivých se částí.** Volný oděv, šperky nebo dlouhé vlasy se mohou zachytit do pohyblivých se dílů.
- **Pokud je zařízení vybaveno adaptérem pro připojení odsávání prachu a sběrnými zařízeními, zajistěte jejich správné připojení a řádnou funkci.** Použití zařízení k odsávání prachu může snížit rizika spojená s prachem.
- **Nedovoľte, abyste se po získání zkušeností častým používáním nástrojů stali neobezřetnými a ignorovali zásady bezpečnosti.** Nedbalá činnost může způsobit vážné zranění za zlomek sekundy.

POUŽITÍ A PÉČE O ELEKTRICKÉ NÁŘADÍ

- **Netlačte příliš na nářadí. Používejte správný typ nářadí pro vaši aplikaci.** Správné elektrické nářadí bude pracovat lépe a bezpečněji rychleji, pro kterou bylo navrženo.

GZ

- **Nepoužívejte nářadí, pokud ho spínač nezapne a nevypne.** Jakékoliv elektrické nářadí, které nelze ovládat spínačem, je nebezpečné a musí být opraveno.
- **Před jakýmkoliv seřizováním, výměnou příslušenství nebo před uložením nepoužívaného elektrického nářadí odpojte zástrčku od zdroje energie a/nebo akumulátoru.** Tato preventivní bezpečnostní opatření snižují riziko náhodného spuštění nářadí.
- **Uložte elektrické nářadí mimo dosah dětí a nedovoďte ostatním osobám, které nejsou seznámeny s elektrickým nářadím nebo s tímto návodem, aby s nářadím pracovali.** Elektronářadí je nebezpečné v rukou nekvalifikované obsluhy.
- **Udržujte elektrické nářadí a příslušenství.** Zkontrolujte vychýlení či zaseknutí pohyblivých částí, poškození jednotlivých dílů a jiné okolnosti, které mohou ovlivnit chod nářadí. Je-li nářadí poškozeno, nechejte ho před použitím opravit. Mnoho nehod je způsobeno nedostatečnou údržbou nářadí.
- **Žací nástroje udržujte ostré a čisté.** Řádně udržované žací nástroje s ostrými žacími bity jsou méně náchylné k zanášení nečistotami a lépe se ovládají.
- **Používejte elektrické nářadí, příslušenství a nástrojové bity atd. v souladu s těmito pokyny s přihlédnutím k pracovním podmínkám a práci, která má být provedena.** Použití elektrického nástroje na činnosti jiné, než je určující použití, může vést k nebezpečným situacím.
- **Udržujte rukojeti a uchopovací plochy suché, čisté, bez oleje a maziva.** Kluzké rukojeti a uchopovací plochy mohou vést k nebezpečné manipulaci a/nebo ztrátě kontroly nad nářadím.

POUŽITÍ A PÉČE O AKUMULÁTOROVÉ NÁŘADÍ

- **Nabíjejte pouze v nabíječce určené výrobcem.** Nabíječka vhodná pro jeden typ akumulátoru může způsobit riziko požáru při použití s jiným akumulátorem.
- **Používejte elektrické nářadí pouze s výslovně určenými akumulátory.** Použití jiných akumulátorů může způsobit riziko úrazu a požáru.
- **Pokud akumulátor nepoužíváte, držte jej z dosahu kovových předmětů, jako jsou kancelářské sponky na papír, mince, klíče, hřebíky, šroubky nebo další drobné kovové předměty, které mohou spojit vývody baterie navzájem.** Zkratování kontaktů baterie může způsobit spálení nebo požár.
- **V nevhodných podmínkách může kapalina unikat z baterie. Zabraňte kontaktu. Při náhodném kontaktu opláchněte vodou. Při zasažení očí kapalinou**

vyhledejte lékařskou pomoc. Unikající kapalina z akumulátoru může způsobit podráždění pokožky nebo popáleniny.

- **Nepoužívejte akumulátor nebo nástroj, který je poškozen nebo upraven.** Poškozené nebo upravené baterie mohou mít nepředvídatelné chování, které může vést k požáru, výbuchu nebo nebezpečí zranění.
- **Nevystavujte akumulátor ani nástroj ohni nebo nadměrné teplotě.** Při vystavení ohni nebo teplotě nad 130 ° C může dojít k výbuchu.
- **Dodržujte všechny pokyny pro nabíjení a nenabíjejte baterii nebo nástroj mimo rozsah teplot uvedených v pokynech.** Nesprávné nabíjení nebo při teplotách mimo stanovený rozsah může poškodit akumulátor a zvýšit riziko požáru.

SERVIS

- **Svěřte opravu vašeho elektrického nářadí kvalifikované osobě používající pouze shodné náhradní díly.** Tím zajistíte bezpečnost elektrického nářadí.
- **Nikdy neopravujte poškozené akumulátory.** Servis akumulátorů smí provádět pouze výrobce nebo autorizovaní poskytovatelé služeb.

VAROVÁNÍ PRO PRÁCI S ŘETĚZOVOU PILOU

- **Pokud je řetězová pila spuštěná, udržujte všechny části těla v bezpečné vzdálenosti od řetězové pily. Než řetězovou pilu spustíte, zkontrolujte, že se ničeho nedotýká.** Stačí chvilka nepozornosti při práci s řetězovou pilou a může dojít k zaplétení vašeho oděvu nebo části těla do řetězu.
- **Vždy držte řetězovou pilu pravou rukou za zadní rukojeť a levou rukou za přední rukojeť.** Úchop řetězové pily s rukama v obráceném pořadí zvyšuje riziko úrazu a nikdy by se neměl používat.
- **Řetězovou pilu držte pouze za izolované části rukojetí, protože pilový řetěz se může dostat do kontaktu se skrytým vedením.** Pilové řetězy, které jsou v kontaktu s vodičem „pod proudem“, mohou rozvést proud do nechráněných kovových částí elektrického nářadí a způsobit obsluhu úraz elektrickým proudem.
- **Používejte ochranu očí. Doporučujeme používat další ochranné pomůcky pro sluch, hlavu, ruce, nohy a chodidla.** Vhodný ochranný oděv snižuje riziko úrazu způsobeného odletujícími úlomky nebo neúmyslným kontaktem s pilovým řetězem.
- **Nepoužívejte řetězovou pilu na stromě, na žebříku, na střeše nebo na nestabilní podložce.** Provoz řetězové pily tímto způsobem může mít za následek vážné zranění.

- **Vždy udržujte správný postoj a s řetězovou pilou pracujte, pouze když stojíte na pevném, bezpečném a rovném povrchu.** Kluzké nebo nestabilní povrchy, jako např. žebříky, mohou způsobit ztrátu rovnováhy nebo kontroly nad řetězovou pilou.
- **Při řezání větve, která je pod napětím, dávejte pozor na vymrštění.** Pokud se uvolní napětí ve vláknech dřeva, může se odpružená větev zasáhnout obsluhu anebo způsobit ztrátu kontroly nad řetězovou pilou.
- **Dbejte zvýšené opatrnosti při řezání křovinatého podrostu a malých stromků.** Tenký materiál se může zachytit o pilový řetěz a vymrstit směrem k vám, nebo vás vyvést z rovnováhy.
- **Řetězovou pilu přenášejte za přední rukojeť vypnutou a směřující od těla.** Při přepravě nebo skladování řetězové pily vždy nasadte kryt vodící lišty. Správná manipulace s řetězovou pilou snižá pravděpodobnost neúmyslného styku s pohybujícím se pilovým řetězem.
- **Dodržujte pokyny pro mazání, napínání řetězu a výměnu příslušenství.** Nesprávně napnutý nebo namazaný řetěz se může přetřhnout nebo zvýšit riziko zpětného rázu.
- **Udržujte rukojeť suché, čisté, bez oleje a maziva.** Rukojeť od maziva nebo oleje jsou kluzké a vedou ke ztrátě kontroly.
- **Řežte pouze dřevo. Nepoužívejte řetězovou pilu k účelům, pro které není určena. Například: nepoužívejte řetězovou pilu k řezání plastů, zdiva nebo jiných stavebních materiálů, které nejsou ze dřeva.** Používání řetězové pily k činnostem, pro které není určena, může vést k nebezpečným situacím.
- **Nepokoušejte se kácet strom, dokud neporozumíte rizikům a způsobům, jak jim zabránit.** Při kácení stromu může dojít k vážnému zranění obsluhy nebo kolemjdoucích.

PŘÍČINY A PREVENCE ZPĚTNÉHO RÁZU OBSLUHY

K zpětnému rázu může dojít, když přední část nebo hrot vodící lišty přijde do styku s nějakým předmětem, nebo když se dřevo sevře a skřípne pilový řetěz v řezu (obr. A).

Styk s hrotem může v některých případech způsobit prudkou zpětnou reakci, která vymrští vodící lištu vzhůru a vzad směrem k obsluze (obr. B).

Skřípnutí pilového řetězu podél horní části vodící lišty může prudce odrazit vodící lištu vzad směrem k obsluze (obr. C).

Každá z těchto reakcí může způsobit ztrátu kontroly nad pilou, což může vést k vážnému úrazu. Nespoléhejte se výhradně na bezpečnostní zařízení vestavěná do vaší pily. Jako uživatelé řetězové pily byste měli přijmout několik

opatření, aby při vaší práci nedocházelo k nehodám nebo úrazům.

Zpětný ráz je důsledkem nesprávného použití anebo nevhodného pracovního postupu nebo podmínek a lze mu předcházet přijetím následujících opatření:

- **Udržujte pevný úchop, kdy palce a prsty obepínají rukojeť řetězové pily, s oběma rukama na pile a nastavte své tělo a paže tak, aby umožňovaly kompenzaci sil zpětného rázu (obr. D).** Obsluha může kontrolovat síly zpětného rázu, pokud jsou přijata příslušná opatření. Řetězovou pilu nepouštějte.
- **Nepřeceňujte své síly a neřežte ve výšce nad úrovní ramen.** Pomáhá to zabránit nechtěnému styku hrotu a umožňuje lepší kontrolu nad řetězovou pilou v nečekaných situacích.
- **Používejte pouze náhradní lišty a nože specifikované výrobcem.** Nesprávné náhradní lišty nebo řetězy mohou způsobit přetřžení řetězu anebo zpětný ráz.
- **Dodržujte pokyny výrobce pro broušení a údržbu pilového řetězu.** Snižování výšky omezovacího zubu může vést k zesílení zpětného rázu.
- **Zkontrolujte, zda nejsou v prostoru, kde řežete, překážky.** Dbejte, aby přední část vodící lišty nepřišla do styku s kmenem, větví, plotem nebo jinou překážkou, kterou můžete zasáhnout při práci s pilou.
- **Vždy řežte s přístrojem, který běží na plné otáčky.** Zmáčkněte zcela spínač a udržte rychlost řezání.
- **Se základním pochopením zpětného rázu můžete snížit nebo vyloučit moment překvapení.** Náhlé překvapení přispívá k nehodám.
- **Vždy udržte pevný postoj a rovnováhu.**
- **Tlak a tah – reakční síla je vždy opačná ke směru pohybu řetězu při styku se dřevem.** A proto musí být obsluha připravena kontrolovat TAH při řezání na spodní straně lišty a TLAK při řezání podél horní strany (obr. E).

GZ

BEZPEČNOSTNÍ ZAŘÍZENÍ PROTI ZPĚTNÉMU RÁZU NA TĚTO ŘETĚZOVÉ PILE

BRZDA ŘETĚZU

Řetězová pila je vybavena brzdou řetězu, která v případě zpětného rázu zastaví motor i pohyb řetězu. Brzdu řetězu lze aktivovat pohybem rukojeti brzdy řetězu při zpětném rázu vpřed, jelikož se pila otáčí při zpětném rázu vzad; může být aktivována také setrvačnými silami generovanými při prudkém odstrčení.

VAROVÁNÍ: Nikdy neupravujte ani se nepokoušejte brzdu řetězu vypnout.

Před použitím řetězové pily zkontrolujte, zda brzda řetězu správně funguje. Rukojeť brzdy řetězu při zpětném rázu se musí pohybovat snadno vpřed a vzad.

- Chcete-li vyzkoušet funkci brzdy řetězu, postupujte následovně (obr. F):
- Položte řetězovou pilu na rovný, volný povrch a zkontrolujte, zda nejsou v její bezprostřední blízkosti předměty nebo překážky, které by mohly přijít do styku s lištou nebo řetězem.
- Uvolněte brzdu řetězu zatažením rukojeti brzdy řetězu při zpětném rázu směrem k přední rukojeti.
- Spusťte řetězovou pilu.
- Stiskněte rukojeť brzdy řetězu při zpětném rázu směrem k přední části pily. Správně fungující ruční brzda okamžitě zastaví pohyb řetězu. Pokud brzda řetězu správně nefunguje, nepoužívejte řetězovou pilu, dokud ji neopraví kvalifikovaný servisní technik.

F-1	Rukojeť brzdy řetězu při zpětném rázu v pracovní poloze
F-2	Rukojeť brzdy řetězu při zpětném rázu v brzdicí poloze

CZ

⚠ VAROVÁNÍ: Před každým použitím zkontrolujte, zda brzda řetězu pracuje správně.

⚠ VAROVÁNÍ: Pokud je brzda řetězu zanesená dřevěnými štěpkami, může se zhoršit její funkce. Vždy udržujte zařízení v čistotě.

PILOVÝ ŘETĚZ SE SLABÝM ZPĚTNÝM RÁZEM

Omezovací patky (omezovací zuby) před každým řezacím zubem mohou minimalizovat reakční sílu zpětného rázu tím, že zabrání řezacím zubům, aby zabraly příliš hluboko v zóně zpětného rázu. Používejte pouze náhradní řetězy, které jsou shodné s původním řetězem, nebo jsou certifikované.

⚠ UPOZORNĚNÍ: Pilové řetězy se v průběhu životnosti brousí, zhoršuje se kvalita redukce zpětného rázu a je nutné dbát zvýšené opatnosti.

DALŠÍ VAROVÁNÍ

- **Řetězová pila je určena k oboustrannému použití.** Při držení jednou rukou může dojít k vážnému úrazu obsluhy, pomocníků nebo ostatních osob.
- **Zamezte neúmyslnému kontaktu s nehybným pilovým řetězem nebo vodícími lištami.** Mohou být velmi ostré. Při manipulaci s řetězovou pilou, pilovým řetězem nebo vodící lištou používejte rukavice a noste dlouhé kalhoty.

- **Nikdy nepoužívejte řetězovou pilu, která je poškozená, nesprávně nastavená nebo kompletně a bezpečně smontovaná.** Zkontrolujte, zda se pilový řetěz zastaví při uvolnění spínače.
- **Před řezáním zkontrolujte, zda nejsou v obrobku hřebíky, dráty nebo jiná cizí tělesa.**
- **Při rozřezávání obrobek před řezáním upevněte.** Při kácení nebo prořezávání označte a zajistěte nebezpečné větve.
- **Agresivní a namáhavé řezání nebo nesprávné použití řetězové pily může způsobit předčasně opotřebenou lištu, řetězu anebo ozubeného kola nebo dokonce přetržení řetězu a poškození lišty, což vede k zpětnému rázu, vymrštění řetězu nebo materiálu.**
- **Vodící lištu nikdy nepoužívejte jako páku.** Ohnutá vodící lišta může způsobit předčasně opotřebenou lištu, řetězu anebo řetězového kola nebo dokonce přetržení řetězu a poškození lišty, což vede k zpětnému rázu, vymrštění řetězu nebo materiálu.
- **Řežte pouze jeden obrobek najednou.**
- **Akumulátor nenabíjejte v dešti nebo na mokřem místě.**
- **Práci plánujte, zkontrolujte, zda je pracoviště bez překážek, a v případě kácení zajistěte aspoň jednu únikovou cestu od padajícího stromu.**
- **Při kácení udržujte ostatní osoby ve vzdálenosti aspoň dvou délek stromu.**
- **Pokud nastane situace, která není popsána v tomto návodu, použijte pečlivý a dobrý úsudek. Pro pomoc kontaktujte zákaznický servis společnosti EGO.**

VODICÍ LIŠTA

Tato pila je vybavena vodící lištou s malým koncovým poloměrem. U malých koncových poloměrů hrozí obecně menší riziko zpětného rázu. Při výměně vodící lišty dbejte, abyste objednali lištu uvedenou v tomto návodu.

ULOŽTE SI TYTO POKYNY!

VŠEOBECNÉ BEZPEČNOSTNÉ UPOZORNENIA PRE ELEKTRICKÉ NÁRADIE

VAROVANIE: Prečítajte si všetky bezpečnostné výstrahy, pokyny, ilustrácie a technické údaje dodané s týmto elektrickým nástrojom. Nedodržanie nižšie uvedených pokynov môže mať za následok úraz elektrickým prúdom, požiar a/alebo vážne zranenie.

VŠETKY VAROVANIA A POKYNY SI PONECHAJTE PRE PRÍPADNÚ POTREBU V BUDÚCNOSTI.

Termín „elektrické náradie“ vo varovaniach znamená váš elektrický prístroj zapojený (cez kábel) do prívodu elektrickej energie alebo napájaný (bezdrôtovo) z batérie.

BEZPEČNOSŤ PRACOVISKA

- **Udržiavajte pracovisko čisté a dobre osvetlené.**
Preplnené alebo tmavé miesta znásobujú riziko nehody.
- **Nepoužívajte elektrické náradie vo výbušnom prostredí, napríklad v prítomnosti horľavých kvapalín, plynov alebo prachu.** Elektrické náradie je zdrojom iskrenia, ktoré môže zapáliť prach alebo výpary.
- **Pri používaní elektrického náradia udržiavajte deti a okolostojace osoby mimo pracoviska.** Rozptyľovanie pozostosti môže viesť ku strate kontroly.

ELEKTRICKÁ BEZPEČNOSŤ

- **Zástrčka elektrického náradia musí zodpovedať elektrickej zásuvke.** Nikdy a žiadnym spôsobom nemodifikujte zástrčku. **Nepoužívajte žiadne rozbočovacie zástrčky s uzemneným elektrickým náradím.** Neupravené zástrčky a príslušné zásuvky obmedzia nebezpečenstvo úrazu elektrickým prúdom.
- **Zabráňte kontaktu tela s uzemnenými povrchmi, ako sú rúry, radiátory, sporáky a chladničky.** Dochádza k zvýšeniu rizika úrazu elektrickým prúdom, ak je vaše telo uzemnené.
- **Chráňte elektrické náradie pred dažďom a vlhkým prostredím.** Vniknutie vody do elektrického náradia zvyšuje riziko úrazu elektrickým prúdom.
- **Nepoužívajte kábel nesprávnym spôsobom.** Nepoužívajte ho na prenášanie, ťahanie alebo odpájanie elektrického náradia. Udržujte kábel v dostatočnej vzdialenosti od zdrojov tepla, oleja, ostrých hrán alebo pohyblivých častí. Poškodená alebo zamotaná šnúra zvyšuje riziko zasiahnutia elektrickým prúdom.
- **Ak sa chystáte náradie použiť v exteriéroch, použite výhradne predĺžovací šnúru vhodnú na použitie v exteriéroch.** Použitie šnúry vhodnej pre použitie v exteriéroch znižuje riziko úrazu elektrickým prúdom.

- **Ak je používanie elektrického náradia vo vlhkom prostredí nevyhnutné, použite napájanie chránené uzemneným prúdovým chráničom.** Použitie uzemneného prúdového chrániča znižuje riziko úrazu elektrickým prúdom.

BEZPEČNOSŤ OSÔB

- **Buďte pozorní, sledujte to, čo robíte a používajte zdravý rozum pri práci s elektrickým náradím.** **Nepoužívajte elektrické náradie, ak ste unavení alebo pod vplyvom drog, alkoholu alebo liekov.** Chvilková nepozornosť pri práci s elektrickým náradím môže mať za následok vážne zranenie.
- **Používajte osobné ochranné pomôcky. Vždy používajte ochranu očí.** Ochranné prostriedky ako respirátor, protišmyková bezpečnostná obuv, prilba alebo chrániče sluchu použité za vhodných podmienok znižujú nebezpečenstvo zranenia.
- **Zabráňte neúmyselnému uvedeniu stroja do prevádzky. Pred pripojením k zdroju napájania a/alebo akumulátoru, pri zdvíhaní alebo prenášaní nástroja sa uistite, že prepínač je vo vypnutej polohe.** Prenášanie elektrického náradia s prstom na vypínači alebo aktivácia elektrického náradia, ktoré má zapnutý vypínač, môže viesť k úrazu.
- **Pred spustením náradia vždy odstráňte nastavovací klin alebo kľúč.** Kľúč alebo klin, ktorý necháte pripnevný k otáčajúcej sa časti elektrického náradia, môže spôsobiť zranenie osôb.
- **Nepreceňujte sa. Pri práci vždy dodržujte správny postoj a rovnováhu.** To umožňujú lepšiu ovládateľnosť náradia v nečakaných situáciách.
- **Noste vhodné oblečenie. Nenoste šperky alebo voľný odev. Udržujte vlasy, oblečenie a rukavice v dostatočnej vzdialenosti od pohybujúcich sa dielov.** Voľný odev, šperky alebo dlhé vlasy môžu byť zachytené pohybujúcimi sa dielmi.
- **Pokiaľ je náradie vybavené zariadením na zachytávanie prachu a úlomkov materiálu, skontrolujte, či je k náradiu správne pripnevné.** Použitie odsávania prachu môže znížiť nebezpečenstvo, ktoré súvisí s prachom.
- **Nedovoľte, aby ste sa po získaní skúseností častým používaním nástrojov stali neobzretnými a ignorovali zásady bezpečnosti.** Nedbalá činnosť môže spôsobiť vážne zranenie za zlomok sekundy.

POUŽITIE ELEKTRICKÉHO NÁRADIA A STAROSTLIVOSŤ

- **Stroj nepreťažujte. Používajte správny typ náradia určený na danú prácu.** Náradie bude pracovať lepšie a bezpečnejšie pri rýchlosti, na ktorú bolo navrhnuté.

SK

- **Nepoužívajte elektrické náradie, ak sa nedá zapnúť a vypnúť použitím vypínača.** Akékoľvek elektrické náradie, ktoré sa nedá ovládať vypínačom je nebezpečné a musí sa opraviť.
- **Pred akýmkoľvek nastavením, výmenou príslušenstva alebo pred uložením elektrického náradia odpojte zástrčku od zdroja a/alebo akumulátora.** Takéto preventívne bezpečnostné opatrenia znižujú riziko náhodného spustenia elektrického náradia.
- **Uchovávajte nepoužívané elektronáradie mimo dosahu detí a nedovoľte, aby osoby neoboznámené s elektrickým náradím alebo s týmito pokynmi náradie používali.** Elektrické náradie je nebezpečné v rukách neskúsených používateľov.
- **Udržujte elektrické náradie a príslušenstvo. Skontrolujte nastavenie pohyblivých častí, poškodenie dielov a akékoľvek ďalšie okolnosti, ktoré môžu mať vplyv na funkciu elektrického náradia. Ak je elektrické náradie poškodené, nechajte ho pred použitím opraviť.** Veľa úrazov je zapríčinených zle udržiavaným náradím.
- **Rezacie nástroje udržiavajte ostré a čisté.** Starostlivo ošetrované rezné nástroje s ostrými čepeľami menej pravdepodobne uviaznu a jednoduchšie sa ovládajú.
- **Používajte elektronáradie, príslušenstvo, násady apod. podľa týchto pokynov a rešpektujte prítom pracovné podmienky a vykonávanú činnosť.** Použitie elektrického náradia na iné ako určené účely môže viesť k nebezpečným situáciám.
- **Udržujte rukoväte a uchopovacie plochy suché, čisté, bez oleja a maziva.** Klzké držiadlá a uchopovacie plochy môžu viesť k nebezpečnej manipulácii alebo strate schopnosti ovládať nástroj.

POUŽÍVANIE A STAROSTLIVOSŤ O NÁRADIE NA BATÉRIE

- **Nabíjajte len pomocou nabíjačky špecifikovanej výrobcom.** Nabíjačka, ktorá je vhodná pre jeden typ akumulátorovej batérie, môže predstavovať pri nabíjaní iného typu akumulátorovej batérie nebezpečenstvo.
- **Používajte elektrické náradie iba s výslovné určenými akumulátormi.** Použitie iných typov akumulátorov môže spôsobiť riziko úrazu a požiaru.
- **Ak sa akumulátor nepoužíva, držte ho mimo iných kovových predmetov, ako sú sponky, mince, kľúče, klince, skrutkovače alebo iné malé kovové predmety, ktoré by mohli navzájom prepojiť kontakty akumulátora.** Skratovanie kontaktov akumulátora môže spôsobiť popáleniny alebo požiar.
- **Za nevhodných podmienok môže z akumulátora unikáť kvapalina. Zabráňte kontaktu. Pri náhodnom kontakte opláchnite vodou. Pri zasiahnutí očí vyhľadajte lekársku pomoc.** Unikajúca kvapalina z akumulátora môže spôsobiť podráždenie pokožky alebo popáleniny.
- **Nepoužívajte akumulátor alebo nástroj, ktorý je poškodený alebo upravený.** Poškodené alebo upravené akumulátory môžu mať nepredvídateľné chovanie, ktoré môže viesť k požiaru, výbuchu alebo nebezpečenstvu poranenia.
- **Nevystavujte akumulátor ani nástroj ohňu alebo nadmernej teplote.** Pri vystavení ohňu alebo teplote nad 130 ° C môže dôjsť k výbuchu.
- **Dodržujte všetky pokyny pre nabíjanie a nenabíjajte akumulátor alebo nástroj mimo rozsah teplôt uvedených v pokynoch.** Nesprávne nabíjanie alebo nabíjanie pri teplotách mimo stanovený rozsah môže poškodiť akumulátor a zvýšiť riziko požiaru.

OPRAVA

- **Náradie zverte do opravy kvalifikovanej osobe, ktorá použije iba originálne náhradné diely.** Zabezpečíte tak zachovanie bezpečnosti elektrického náradia.
- **Nikdy neopravujte poškodené akumulátory.** Servis akumulátorov smie robiť iba výrobca alebo autorizovaní poskytovatelia služieb.

BEZPEČNOSTNÉ UPOZORNENIA PRE REŤAZOVÉ PÍLY

- **Vyhýbajte sa kontaktu častí tela s reťazou píly počas jej používania. Pred zapnutím reťazovej píly sa uistite, že sa reťaz ničoho nedotýka.** Chvilka nepozornosti pri práci s reťazovou pilou môže spôsobiť zachytenie oblečenia alebo časti tela do reťaze.
- **Vždy držte reťazovú pílu pravou rukou na zadnej rukoväti a ľavou rukou na prednej rukoväti.** Ak držíte pílu s rukami uloženými naopak, zvyšuje sa riziko úrazu. Vyvarujte sa toho.
- **Reťazovú pílu držte len za izolované rukoväte, pretože reťaz píly môže prísť do kontaktu so skrytým vedením.** Pilová reťaz, ktorá prišla do kontaktu s vedením pod elektrickým prúdom, môže nabiť kovové časti elektrického náradia a spôsobiť používateľovi úraz elektrickým prúdom.
- **Používajte ochranu očí. Odporúčame používať ďalšie ochranné pomôcky sluchu, hlavy, rúk, nôh a chodidiel.** Vhodný ochranný odev znižuje možnosť zranenia spôsobeného odletujúcimi úlomkami alebo náhodným kontaktom s reťazou píly.

- **Nepoužívajte reťazovú pílu na strome, na rebríku, na streche alebo na nestabilnej podložke.** Prevádzka reťazovej píly týmto spôsobom by mohla mať za následok vážne zranenie osôb.
- **Vždy udržiavajte správny postoj a používajte reťazovú pílu len vtedy, keď stojíte na pevnom, bezpečnom a rovnom povrchu.** Šmyklivé alebo nestabilné povrchy, ako sú rebríky, môžu spôsobiť stratu rovnováhy alebo kontroly nad reťazovou pílou.
- **Pri rezaní napnutého konára dávajte pozor na spätný náraz.** Po uvoľnení napätia vo vláknach dreva, môže napnutá vetva zasiahnuť používateľa a/alebo dostať reťazovú pílu mimo kontroly.
- **Pri rezaní kríkov a mladých stromčekov buďte mimoriadne opatrní.** Reťazová píla môže zachytiť drobný materiál a vymrštiť ho smerom k vám alebo vás vyviešť z rovnováhy.
- **Držte vypnutú reťazovú pílu za prednú rukuvať a ďaleko od tela. Pri preprave alebo skladovaní reťazovej píly vždy nasadte kryt vodiacej lišty.** Správna manipulácia s reťazovou pílou zniží pravdepodobnosť náhodného kontaktu s otáčajúcou sa reťazou píly.
- **Dodržujte pokyny pre mazanie, napnutie reťaze a výmenu príslušenstva.** Nesprávne napnutá alebo namazaná reťaz sa môže pretrhnúť alebo zvýšiť riziko spätného nárazu.
- **Udržujte rukoväť suchú, čistú, bez oleja a mastnoty.** Mastné, naolejované rukoväťe sú klzké a môžu spôsobiť stratu kontroly.
- **Režte iba drevo. Nepoužívajte reťazovú pílu na účely, na ktoré nie je určená. Napríklad nepoužívajte reťazovú pílu na pílenie plastu, muriva alebo stavebných materiálov, ktoré nie sú z dreva.** Používanie reťazovej píly na iné účely, ako je určené, môže viesť k nebezpečným situáciám.
- **Nepokúšajte sa rezať strom, kým neporozumiete rizikám a spôsobom, ako im predchádzať.** Pri rezaní stromu môže dôjsť k vážnemu zraneniu obsluhy alebo okoloidúcich.

PRÍČINY A PREVENCIA SPÄTNÉHO NÁRAZU

Spätný ráz môže nastať, keď sa hrot alebo špička vodiacej lišty dotkne predmetu, alebo ak drevo zovrie a zabrzdí reťazovú pílu v reze (obr. A).

Kontakt špičky môže v niektorých prípadoch spôsobiť náhlu spätnú reakciu, ktorá vymršti vodiacu lištu smerom hore a späť k používateľovi (obr. B).

Zovretie reťaze píly pozdĺž homej časti vodiacej lišty, môže zatlačiť vodiacu lištu rýchlo späť smerom k používateľovi (obr. C).

Každá z týchto reakcií môže spôsobiť stratu kontroly nad pílou, ktorá môže mať za následok vážne zranenie osôb. Nespoliehajte sa výlučne na bezpečnostné prvky zabudované v konštrukcii píly.

Ako používateľ reťazovej píly by ste mali prijať niekoľko opatrení s cieľom znížiť počet nehôd alebo zranení počas pílenia.

Spätný náraz je výsledkom nesprávneho použitia nástroja a/alebo nesprávnych pracovných postupov, alebo podmienok a dá sa mu predísť aplikáciou nižšie uvedených opatrení:

- **Pílu pevne držte s palmami a prstami obopínajúcimi rukoväť, s oboma rukami na pile a s telom a rukami umiestnenými tak, aby dokázali odolávať silám spätného nárazu (obr. D).** Sily spätného nárazu môže používateľ ovládať pri použití príslušných bezpečnostných opatrení. Nepúšťajte reťazovú pílu.
- **Nepreceňujte svoje sily a nepíľte nad úroveň ramien.** To pomáha zabrániť nechcenému kontaktu špičky a umožňuje lepšiu kontrolu nad reťazovou pílou v nečakaných situáciách.
- **Používajte iba náhradné lišty a reťaze odporúčané výrobcom.** Nevhodné náhradné lišty a reťaze môžu spôsobiť pretrhnutie reťaze a/alebo spätný náraz.
- **Pri ostrení a údržbe reťazovej píly postupujte podľa pokynov výrobcu.** Zníženie výšky hĺbkomeru môže zväčšiť spätný náraz.
- **Uistite sa, že v oblasti, v ktorej budete píliť, sa nenachádzajú prekážky.** Zabráňte kontaktu hrotu vodiacej lišty s kmeňom, vetvami, plotom alebo inou prekážkou, ktorá by mohla spôsobiť náraz počas pílenia.
- **Vždy píľte so zariadením, ktoré pracuje v plnej rýchlosti.** Úplne stlačte spúšťač a udržiavajte rýchlosť pílenia.
- **Ak máte základné vedomosti o spätnom náraze, dokážete znížiť alebo eliminovať moment prekvapenia.** K nehodám prispieva i moment náhleho prekvapenia.
- **Pri práci vždy dodržujte správny postoj a rovnováhu.**
- **Zatlačiť a zatiahnuť** - Pri kontakte sila reakcie smeruje vždy proti smeru pohybu reťaze. Preto musí byť používateľ pripravený ovládať ZATIAHNUTIE pri pílení spodnú hranu lišty a ZATLAČENIE pri pílení hornou hranou (obr. E).

SK

BEZPEČNOSTNÉ ZARIADENIA NA OCHRANU PRED SPÄTNÝM NÁRAZOM NA TEJTO REŤAZOVEJ PÍLE

BRZDA REŤAZE

Reťazová píla je vybavená brzdou reťaze, ktorá zastaví motor i pohyb reťaze, keď príde k spätnému nárazu. Brzdu reťaze možno aktivovať pomocou pohybu rukoväte brzdy spätného nárazu dopredu, keďže sa píla počas spätného nárazu odrazí smerom dozadu. Tiež sa môže aktivovať zotrvačnými silami vytvorenými rýchlym potiahnutím dozadu.

VAROVANIE: Nikdy sa nepokúšajte upraviť alebo odstaviť brzdou reťaze.

Pred použitím reťazovej píly sa uistite, že brzda reťaze funguje správne. Rukoväť brzdy spätného nárazu reťaze by sa mala jednoducho pohybovať dozadu a dopredu.

- Ak chcete vyskúšať funkciu brzdy reťaze, vykonajte nasledujúce kroky (obr. F):
- Postavte reťazovú pílu na rovný čistý povrch a uistite sa, že v bezprostrednej blízkosti nie sú žiadne predmety alebo prekážky, ktoré by mohli prísť do styku s lištou a reťazou.
- Uvoľnite brzdou reťaze potiahnutím rukoväte brzdy spätného nárazu reťaze smerom k prednej rukoväti.
- Spustíte reťazovú pílu.
- Zatlačte rukoväť brzdy spätného nárazu reťaze smerom k prednej časti píly. Dobré fungujúca ručná brzda okamžite zastaví pohyb reťaze. V prípade, že brzda reťaze nefunguje správne, pílu nepoužívajte, kým ju neopraví kvalifikovaný servisný technik.

F-1	Rukoväť brzdy spätného nárazu reťaze v prevádzkovej polohe
F-2	Rukoväť brzdy spätného nárazu reťaze v zabrzdenej polohe

VAROVANIE: Pred každým použitím sa uistite, že brzda reťaze funguje správne.

VAROVANIE: Ak je brzda reťaze upchatá drevnou štiepkou, môže sa zhoršiť jej funkcia. Zariadenie udržiavajte stále čisté.

NÍZKY SPÄTNÝ NÁRAZ REŤAZOVEJ PÍLY

Podpery (hlbkomery) pred každým rezom môžu minimalizovať silu spätného nárazu tým, že zabránia píleniu príliš hlboko v oblasti spätného nárazu. Používajte náhradnú reťaz, ktorá je ekvivalentom k originálnej reťazi alebo je certifikovaná.

UPOZORNENIE: Keďže sa reťazové píly počas ich životnosti ostria, strácajú niektoré z vlastností nízkeho spätného nárazu a preto im treba venovať výnimočnú pozornosť.

ĎALŠIE UPOZORNENIA

- **Reťazová píla je určená pre obojručné použitie.** Ovládanie len jednou rukou môže mať za následok vážne zranenie obsluhy, pomocníkov a/alebo okolitých osôb.
- **Zabráňte nechcenému kontaktu s vypnutou reťazou píly alebo koľajničkami vodiacej lišty.** Môžu byť veľmi ostré. Pri manipulácii s reťazovou pílou, reťazou píly alebo vodiacou lištou vždy používajte rukavice a dlhé nohavice alebo kožené chrániče nohavíc.
- **Nikdy nepoužívajte reťazovú pílu, ktorá je poškodená alebo nesprávne nastavená, alebo ak nie je úplne a bezpečne nainštalovaná.** Uistite sa, že po uvoľnení spúšťača sa reťaz zastaví.
- **Skontrolujte obrobok určený na pílenie, či sa na ňom nenachádzajú klice, drôty alebo iné cudzie predmety.**
- **Pred pílením pri skracovaní obrobok pevne pripevnite.** Pri stínaní alebo prerezávaní identifikujte a zabezpečte nebezpečné vetvy.
- **Agresívne alebo násilné pílenie alebo nesprávne použitie reťazovej píly môže spôsobiť predčasné opotrebenie lišty, reťaze a/alebo ozubeného kolesa, ako aj roztrhnutie reťaze alebo poškodenie lišty, čo môže viesť k spätnému nárazu, vymršteniu reťaze alebo materiálu.**
- **Nikdy nepoužívajte vodiacu lištu ako páku.** Ohnutá vodiaca lišta môže spôsobiť predčasné opotrebenie lišty, reťaze a/alebo ozubeného kolesa, ako aj roztrhnutie reťaze alebo poškodenie lišty, čo môže viesť k spätnému nárazu, vymršteniu reťaze alebo materiálu.
- **Píľte iba jeden kus naraz.**
- **Nedobíjajte akumulátor v daždi alebo vo vlhkom prostredí.**
- **Naplánujte si prácu, zabezpečte pracovný priestor bez prekážok a v prípade stínania aspoň jednu únikovú cestu od padajúceho stromu.**
- **Pri stínaní udržiavajte okolostojace osoby vo vzdialenosti aspoň dvoch dĺžok stromu.**
- **Ak sa vyskytnú situácie, ktoré nie sú zahrnuté v tomto návode, pristupujte k nim s opatrnosťou a o správnym úsudkom. Pre ďalšie rady kontaktujte zákaznický servis EGO.**



VODIACA LIŠTA

Táto píla je vybavená vodiacou lištou, ktorá má hrot s malým polomerom. Hroty s malým polomerom majú vo všeobecnosti menší potenciál pre spätný náraz. Pri výmene vodiacej lišty sa uistite, že objednávate lištu uvedenú v tomto návode.

ODLOŽTE SI TIETO POKYNY!

SK

AZ ELEKTROMOS SZERSZÁMOKRA VONATKOZÓ ÁLTALÁNOS BIZTONSÁGI FIGYELMEZTETÉSEK

▲ FIGYELMEZTETES: Olvassa el az elektromos kéziszerszámhoz mellékelt összes biztonsági figyelmeztetést, utasítást, ábrát és specifikációt.

Az alább felsorolt utasítások be nem tartása áramütést, tűzveszélyt és/vagy súlyos sérülést idézhet elő.

ŐRIZZEN MEG MINDEN FIGYELMEZTETÉST ÉS UTASÍTÁST, HOGY KÉSŐBB IS ELŐ TUDJA MAJD VENNI.

Az „elektromos kéziszerszám” megnevezés a figyelmeztetésekben egyaránt vonatkozik a hálózati feszültségről meghajtott elektromos kéziszerszámokra (hálózati vezetékkel rendelkező elektromos kéziszerszámok), valamint az akkumulátorról működtetett elektromos kéziszerszámokra (hálózati vezeték nélküli elektromos kéziszerszámok).

MUNKATERÜLET BIZTONSÁG

- A munkaterület legyen tiszta és jól megvilágított. A munkahelyen uralkodó rendtelenségnek vagy a rossz megvilágításnak baleset lehet a következménye.
- Ne használjon elektromos szerszámokat robbanásveszélynek kitett környezetben, például olyan helyen, ahol éghető folyadékok, gázok vagy porok találhatóak. Az elektromos kéziszerszámok szikrákat képeznek, amelyek meggyújthatják a porokat vagy gázokat.
- Tartsa távol a gyermekeket és az illetéktelen személyeket, amikor elektromos kéziszerszámmal dolgozik. Ha megzavarják, elveszítheti uralmát a készülék felett.

ELEKTROMOS BIZTONSÁG

- Az elektromos kéziszerszám hálózati csatlakozódugójának illeszkednie kell az elektromos aljzathoz. Soha és semmiképpen se módosítsa a csatlakozódugót. Ne használjon adapteres csatlakozódugókat a földelt elektromos kéziszerszámokhoz. Az eredeti csatlakozódugó és megfelelő hálózati aljzat alkalmazásával megelőzi az áramütés veszélyét.
- Ne érjen földelt felületekhez, ilyenek pl. a csövek, fűtőtestek, tűzhelyek vagy hűtőszekrények. Az áramütés kockázata nagyobb, ha a teste le van földelve.
- Ne tegye ki az elektromos kéziszerszámot esőnek vagy nedves környezetnek. Az elektromos kéziszerszámba bekerülő víz megnöveli az áramütés kockázatát.
- Ne használja a kábelt helytelen módon. Soha ne használja a kábelt az elektromos kéziszerszám hordozására, húzására vagy lecsatlakoztatására. Tartsa távol a vezetéket hőtől, olajtól, éles szegélyektől és mozgó alkatrészektől. A sérült vagy összegabalyodott hálózati kábelek megnövelik az áramütés veszélyét.

- Az elektromos szerszám szabadtéri üzemeltetéséhez használjon szabadtéren használható hosszabbító kábelt. A szabadtéren használható kábel alkalmazása csökkenti az áramütés kockázatát.
- Ha elkerülhetetlen az elektromos kéziszerszám használata nedves helyen, használjon földelő áramköri megszakítóval ellátott tápellátást. A GFCI használata csökkenti az áramütés veszélyét.

SZEMÉLYI BIZTONSÁG

- Legyen figyelmes, ügyeljen arra, amit csinál, és józan ésszel fogjon a munkához, ha elektromos kéziszerszámot használ. Ne használjon elektromos kéziszerszámot, ha fáradt, kábítószert, alkoholt vagy gyógyszer befolyása alatt áll. Az elektromos kéziszerszám üzemeltetése közben egy pillanatnyi figyelmetlenség is súlyos személyi sérülést okozhat.
- Használjon személyi védőfelszerelést. Mindig viseljen védőszemüveget. A védőfelszerelések, mint például porvédő maszk, csúszásmentes lábbeli, sisak és hallásvédő, rendeltetészerű használata révén elkerüli a sérülési veszélyeket.
- Akadályozza meg a véletlen indítást. Ügyeljen arra, hogy a kapcsoló kikapcsolt állásban legyen, mielőtt az áramforráshoz és/vagy az akku egységhez csatlakoztatja, felveszi vagy viszi a szerszámot. Balesetekre vezethet, ha a hálózatra csatlakoztatott szerszámot úgy viszi, hogy közben az ujjja a bekapcsoló gombon van, vagy ha a hálózati csatlakozódugót olyankor dugja be az aljzatba, amikor be van kapcsolva a szerszám.
- Vegye ki a szerszámkulcsot és a beállító szerszámot, mielőtt az elektromos kéziszerszámot bekapcsolná. Az elektromos szerszám mozgó alkatrészén fejtett csavarkulcs vagy eszköz személyi sérülést okozhat.
- Ne hajoljon a gép fölé. Vegyen fel stabil testhelyzetet, és mindig tartsa meg az egyensúlyát. Ezáltal jobban tudja irányítani az elektromos kéziszerszámot a legváratlanabb helyzetben is.
- Viseljen megfelelő ruházatot. Ne hordjon laza, bő ruhát, és ne viseljen ékszert. A haj, a ruházat és a kesztyű ne érjen a mozgó részekhez. A laza ruházatot, az ékszert vagy a hosszú hajat becsíphetik a mozgó alkatrészek.
- Ha az elektromos kéziszerszámot porfelszívó vagy porfelfogó eszközzel szerelik fel, akkor győződjön meg arról, hogy ezek előírászerűen vannak-e csatlakoztatva, és használja őket a rendeltetésüknek megfelelően. Porgyűjtő használata csökkentheti a porral járó veszélyeket.
- Ne hagyja, hogy a rendszeres használat során megszerzett tapasztalat miatt önteltté váljon, és emiatt figyelmen kívül hagyja a biztonsági irányelveket. Egy óvatlan cselekedet a másodperc töredéke alatt súlyos sérülést okozhat.

A KÉZI SZERSZÁMGÉP ÜZEMELTETÉSE ÉS GONDOZÁSA

- Ne terhelje túl az elektromos kéziszerszámot. A munkájához használja az arra alkalmas elektromos kéziszerszámot. A megfelelő elektromos kéziszerszámmal jobban és biztonságosabban dolgozhat a megadott teljesítményhatárokon belül.
- Ne használja az elektromos kéziszerszámot, ha nem lehet a bekapcsoló segítségével be- vagy kikapcsolni. Az olyan elektromos kéziszerszám, amely nem irányítható a kapcsolóval, veszélyes és javításra szorul.
- Húzza ki a hálózati csatlakozó dugót az aljzattól, mielőtt beállításokat végezne, tartozékot cserélne vagy az elektromos kéziszerszámot félretenné. Az ilyen megelőző biztonsági óvintézkedések csökkentik az elektromos kéziszerszám véletlen beindításának kockázatát.
- A használaton kívüli elektromos kéziszerszámokat gyermekektől távol tárolja, és ne engedje meg, hogy olyan személyek használják az elektromos kéziszerszámot, akik nem ismerik azt, vagy nincsenek tisztában ezekkel a biztonsági utasításokkal. Az elektromos szerszámok veszélyt jelentenek a gyakorlatlan felhasználó kezében.
- Gondosan ápolja az elektromos szerszámot és tartozékait. Ellenőrizze a mozgó részek beállítását és rögzítését, vizsgáljon meg minden részt, nem sérült-e, és ellenőrizze, nem állnak-e fenn olyan körülmények, amelyek befolyásolhatják az elektromos kéziszerszámok helyes kezelését. Használat előtt javíttassa meg a sérült elektromos kéziszerszámot. A rosszul karbantartott elektromos szerszámok sok balesetet okoznak.
- A vágószerszámok legyenek mindig élesek és tiszták. A megfelelően karbantartott és kiélezett vágószerelvényekkel rendelkező vágószerszámok kevésbé hajlamosak az elgömbülésre, valamint könnyebben kezelhetők.
- Az elektromos kéziszerszámot, tartozékot, vágófeltételeket, stb. mindig ezen biztonsági utasításoknak megfelelően használja, mindig vegye figyelembe a munkakörülményeket, és legyen tekintettel a megmunkálendő munkadarabra. Az elektromos kéziszerszámoknak az előírt rendeltetési céltól eltérő célra való használata veszélyes.
- Tartsa szárazon, tisztán, olajtól és zsírtól mentesen a fogantyúkat és a tartófelületeket. A csúsztós fogantyúk és a fűves felületek nem biztonságos kezeléshez és/vagy a szerszám fölötti uralom elvesztéséhez vezethetnek.

AZ AKKUMULÁTORRAL MŰKÖDŐ SZERSZÁM ÜZEMELTETÉSE ÉS GONDOZÁSA

- Csak a gyártó által meghatározott töltőt használja. Az olyan töltő, amely egy típusú akkumulátoregységhez alkalmas, tűzveszélyt okozhat, ha más típusú akkumulátoregységhez használja.
- Az elektromos kéziszerszámokat csak speciálisan

meghatározott akkumulátoregységekkel használja. Bármely más akkumulátoregység használata sérülés- vagy tűzveszélyt okozhat.

- Amikor nem használja az akkumulátoregységet, tartsa távol más fémtárgyaktól, például gemkapocs, érmék, kulcsok, tűk, csavarok vagy más kis fémtárgyak, amelyek kapcsolatba léphetnek vele. Ha rövidre zárnának az akkumulátorok kapcsai, ez égési sérülést vagy tüzet okozhat.
- Nem megfelelő körülmények között folyadék szivároghat az akkumulátorból; ne érjen ehhez. Amennyiben véletlenül hozzáérne, mossa le a vízzel. Ha ez a folyadék szembe kerül, forduljon orvoshoz is. Az akkumulátorból kiszivárgó folyadék irritációt vagy égést okozhat.
- Ne használjon sérült vagy módosított akkumulátoregységet vagy szerszámot. A sérült vagy módosított akkumulátorok előre nem látható viselkedést válthatnak ki, amelynek eredménye tűz, robbanás vagy sérülésveszély lehet.
- Ne tegye ki az akkumulátoregységet tűznek vagy túlzott hőmérsékletnek. Ha tűznek, vagy 130 °C feletti hőmérsékletnek teszi ki, akkor felrobbanhat.
- Tartsa be a töltési utasításokat, és ne töltse az akkumulátoregységet vagy a szerszámot az utasításokban meghatározott hőmérséklet-tartományon kívül. A nem megfelelő vagy a meghatározott hőmérséklet-tartományon kívüli töltés megrongálhatja az akkumulátort, és növeli a tűzveszélyt.

HU

SZERVIZ

- Az elektromos kéziszerszám szervizelését szakképzett szerelő végezze, csak eredeti cserealkatrészek felhasználásával. Ezzel biztosítja az elektromos kéziszerszám biztonságának fenntartását.
- Soha ne szervizeljen sérült akkumulátoregységet. Az akkumulátoregységet csak a gyártó vagy felhatalmazott szerviz szolgáltató szervizelheti.

A LÁNCFŰRÉSZRE VONATKOZÓ BIZTONSÁGI FIGYELMEZTETÉSEK

- A láncfűrész üzemeltetése közben tartsa az összes testrészt távol a fűrészlánctól. Mielőtt beindítaná a láncfűrész, győződjön meg arról, hogy a fűrészlánc semmihez sem ér hozzá. A láncfűrész üzemeltetése közben egy pillanatnyi figyelmetlenség is a ruházata vagy a teste beakadását okozhatja a láncba.
- A láncfűrész mindig a jobb kezével a hátsó fogantyún és a bal kezével az első fogantyún tartsa. Ne tartsa fordított kézzel a láncfűrész, mert ezzel megnöveli a személyi sérülés kockázatát.

- **A láncfűrész csak a szigetelt fogófelületeknél fogja meg, mert a fűrészlánc rejtett vezetékkel érintkezhet.** A feszültség alatt álló vezetékkel érintkező fűrészláncok az elektromos kéziszerszám nyitott fém részeit feszültség alá helyezhetik, ami áramütéshez vezethet.
- **Viseljen védőszemüveget. A hallása, feje, keze, lába és lábfeje védelme érdekében javasolt további védőeszközök viselése is.** A megfelelő védőruházat csökkenti a repülő törmelék vagy a fűrészláncal való véletlen érintkezés okozta személyi sérülés veszélyét.
- **Ne működtessen láncfűrész fán, létrán, háztetőn vagy más instabil alátámasztáson állva.** A láncfűrész ilyen módon való működtetése súlyos személyi sérülést okozhat.
- **Mindig vegyen fel stabil testhelyzetet, és csak akkor üzemeltesse a láncfűrész, ha rögzített, biztonságos és egyenletes felületen áll.** Az olyan csúszós vagy instabil felületek, mint a létrák egyensúlyvesztést okozhatnak, vagy a láncfűrész irányításának elvesztését.
- **Megfeszült faág vágásakor álljon készen az ág visszautérésére.** A faanyagban lévő feszültség feloldásakor a rugóhatás alatt álló ág megütheti a kezelőt és/vagy kiütheti a láncfűrész, irányíthatatlanná téve azt.
- **Legyen különösen elővigyázatos a bokrok és facsémék vágásakor.** A vékony anyag befoghatja a fűrészláncot és maga felé csaphatja vagy kiütheti az egyensúlyából.
- **A leállított fűrész az első fogantyúnál fogva kell hordani, a testétől elfelé irányítva.** A láncfűrész szállításkor vagy tároláskor mindig helyezze fel a láncvezető védőburkolatát. A láncfűrész megfelelő bánásmódja csökkenti a mozgó fűrészláncal való véletlen érintkezés esélyét.
- **Tartsa be a kenésre, láncfeszítésre és tartozékcsereire vonatkozó utasításokat.** A nem megfelelően feszes vagy olajozott lánc eltörhet, vagy megnövelheti a visszarúgás esélyét.
- **Tartsa szárazon, tisztán, olajtól és zsírtól mentesen a fogantyúkat.** A zsíros, olajos fogantyúk csúszósak, ami az irányítás elvesztéséhez vezethet.
- **Csak fát vágjon.** Ne használja a láncfűrész a rendeltetési céltól eltérő módon. Például, ne használja a láncfűrész műanyagok, falazóanyagok vagy nem fa építőanyagok vágására. A láncfűrésznek az előírt rendeltetési céltól eltérő célra való használata veszélyes helyzetet okozhat.
- **Ne próbáljon meg fát kivágni, amíg nincs tisztában a kockázatokkal, és ezek elkerülésének módjaival.** Egy fa kivágásakor súlyos sérülés érheti mind a kezelőt, mind a közelben tartózkodókat.

A VISSZARÚGÁS OKAI ÉS ANNAK FELHASZNÁLÓ ALTALI MEGELŐZÉSE

74

VEZETÉK NÉLKÜLI LÁNCFÜRÉSZ

Visszarúgás akkor fordulhat elő, ha a láncvezető vége vagy a csúcsa megérint egy tárgyat, vagy ha a fa körbezárja, és beszorítja a vágásba a fűrészláncot (A. ábra).

Ha a láncvezető csúcsa nekiütözik valaminek, az egy hirtelen fordított irányú hatást eredményezhet, ami fel és a kezelő felé dobja vissza a láncvezetőt (B. ábra).

A fűrészlánc becsipése a láncvezető felső része mentén hirtelen visszadobhatja a láncvezetőt a kezelő felé (C. ábra).

Ezen visszahatások bármelyike a fűrész feletti irányítás elvesztését okozhatja, ami súlyos személyi sérülést eredményezhet. Ne hagyatkozzon kizárólag a fűrészbe épített biztonsági eszközökre.

Láncfűrész-használóként néhány lépést meg kell tennie ahhoz, hogy a favágás baleset- és sérülésmentes legyen.

A visszarúgást a szerszám helytelen használata, illetve a nem megfelelő üzemeltetési bánásmód okozza, az alább felsorolt megfelelő óvintézkedések alkalmazásával kerülhető el:

- **Szorosan markolja a szerszámot, az ujjai öleljék át a láncfűrész fogantyút, mindkét kezét tartsa a fűrészben, és olyan testhelyzetet vegyen fel, amely lehetővé teszi a visszarúgás erejének való ellenállást (D. ábra).** A kezelő irányíthatja a visszarúgás erejét, ha megtette a megfelelő óvintézkedéseket. Ne engedje el a láncfűrész.
- **Ne értékelje túl saját képességeit, és ne vágjon vállmagasság felett.** Ez segít megelőzni a láncvezető végének véletlen érintkezését más tárgyakkal, és lehetővé teszi a láncfűrész jobb kezelhetőségét váratlan helyzetekben.
- **Csak a gyártó által előírt tartalék láncvezetőket és láncokat használja.** A nem megfelelő tartalék láncvezetőket és láncokat a lánc törését és/vagy visszarúgást okozhatnak.
- **Tartsa be a gyártónak a fűrészlánc élezésére és karbantartására vonatkozó utasításait.** A mélységkorlátozó magasságának csökkenése a visszarúgások számának növekedését eredményezheti.
- **Gondoskodjon arról, hogy azon a területen, ahol fűrész, ne legyenek akadályok.** Ne hagyja, hogy a vezetőlánc orra rönkhöz, ághoz, kerítéshez, vagy egyéb akadályhoz érjen, ami ütést okozhat a láncfűrész használatában közben.
- **Mindig úgy fűrészelj, hogy az egység teljes sebességen legyen.** Teljesen nyomja be a triggeret, és állítsa be a vágási sebességet.
- **A visszarúgás alapvető megértése esetében a meglepetés hatása csökkenthető vagy elkerülhető.** A hirtelen meglepődés hozzájárul a balesetekhez.
- **Vegyen fel stabil testhelyzetet, és mindig tartsa meg az egyensúlyát.**
- **Tolja, és húzza –** A reakció ereje mindig ellentétes a lánc mozgásának irányával, ahol a fához ér. Ezért a kezelőnek tudnia kell irányítani a HÚZÁST, amikor a láncvezető alsó szélével vág, és a TOLÁST, amikor a láncvezető felső szélével vág (E. ábra).

A LÁNCFŰRÉS VISSZARÚGÁS ELLENI BIZTONSÁGI ESZKÖZEI

LÁNCFÉK

A láncfűrész láncfékkel van felszerelve, amely leállítja a motort, és a lánc mozgását, ha visszarúgás történik. A láncfék a lánc visszarúgás elleni fékfogantyú előre tolasásával aktiválható, mivel a láncfűrész visszarúgás közben hátrafelé forog; de gyors visszatolás általi tehetetlenségi erő révén is aktiválható.

FIGYELMEZTETES: Soha ne módosítsa, és ne próbálja meg üzemem kívül helyezni a láncféket.

Ellenőrizze, hogy a láncfék megfelelően működik-e, mielőtt a láncfűrész használatba venné. A lánc visszarúgás elleni fékfogantyújának könnyen kell előre-hátra kell mozogni.

- A láncfék működésének ellenőrzéséhez a következő lépéseket kell végrehajtani (F. ábra):
- Helyezze a láncfűrész lapos felületre, és gondoskodjon arról, hogy ne legyenek a közelében olyan tárgyak vagy akadályok, amelyek hozzáérhetnek a láncvezetőhöz és a láncához.
- Oldja ki a láncféket úgy, hogy a lánc visszarúgás elleni fékfogantyúját az első fogantyú felé tolja.
- Indítsa el a láncfűrész.
- Tolja a lánc visszarúgás elleni fékfogantyúját a láncfűrész eleje felé. A megfelelően működő kézifék azonnal leállítja a lánc mozgását. Ha a láncfék nem működik megfelelően, akkor ne használja a láncfűrész, amíg szakszerviz szakember meg nem javította.

F-1	Lánc visszarúgás elleni fékfogantyú működési helyzetben
F-2	Lánc visszarúgás elleni fékfogantyú fékezett helyzetben

FIGYELMEZTETES: Minden használat előtt ellenőrizze, hogy a láncfék megfelelően működik-e.

FIGYELMEZTETES: Ha a láncfék eltömődik faforgáccsal, akkor a láncfék funkciója romlik. Mindig tartsa tisztán a készüléket.

ALACSONY VISSZARÚGÁSÚ FŰRÉSLÁNC

A vágók előtt lévő kaparók (mélységkorlátozók) csökkenthetik a visszarúgást úgy, hogy megakadályozzák, hogy a vágók túl mélyen a visszarúgási zónába mélyedjenek. Csak az eredeti láncal azonos, vagy hitelesített csere láncot használjon.

FIGYELEM: Mivel a fűrészláncok a hasznos élettartamuk alatt élezve vannak, veszítenek az alacsony visszarúgás tulajdonságából, ezért rendkívül óvatosan kell használni őket.

KIEGÉSZÍTŐ FIGYELMEZTETÉSEK

- **A láncfűrész kétkézes használatra készült.** Az egy kézzel történő üzemeltetés a gépkezelő, a segítők és/vagy a nézelődők súlyos sérülését okozhatja.
- **Ne érjen véletlenül sem a mozdulatlan ágazófűrészhez vagy a láncvezető sínekhez.** Ezek igen élesek lehetnek. Mindig viseljen kesztyűt és hosszú nadrágot vagy bőrnadrágot, amikor a láncfűrész, fűrészláncot vagy láncvezetőt kezel.
- **Soha ne üzemeltessen sérült, helytelenül beállított vagy nem teljesen és biztonságosan összeszerelt láncfűrész.** Győződjön meg arról, hogy a fűrészlánc megáll, amikor elengedi a triggert.
- **Vágás előtt ellenőrizze, hogy a munkadarabon nincsenek-e tűk, vezetékek, vagy más idegen tárgyak.**
- **Aprításnál biztosítsa a munkadarabot vágás előtt.** Döntésnél vagy metszésnél mérje fel, hogy mely ágak veszélyesek, és biztosítsa ezeket.
- **Az agresszív vagy nem megfelelő vágás vagy a láncfűrész helytelen használata a sín, a lánc és/vagy a láncvezető idő előtti elhasználódását, ill. a törött lánc vagy sín visszarúgást, vagy az anyag kilökését vagy kioldását okozhatja.**
- **Soha ne használja a láncvezetőt karként.** Az elgörbült láncvezető a sín, a lánc és/vagy a láncvezető idő előtti elhasználódását, ill. a törött lánc vagy sín visszarúgást, vagy az anyag kilökését vagy kioldását okozhatja.
- **Egyszerre csak egy munkadarabot vágjon.**
- **Ne töltsze az akkumulátoregységet esőben vagy nedves helyiségekben.**
- **Tervezze meg a munkát, gondoskodjon akadálymentes munkaterületről, döntés esetén legyen legalább egy menekülési útvonal a dőlő fa elől.**
- **Döntésnél a nézelődők legyenek legalább két fa hossznyira.**
- **Amennyiben olyan helyzet adódik, amely nem szerepel a jelen használati útmutatóban, akkor óvatosan és kellő mérlegeléssel cselekedjen. Forduljon az EGO ügyfélszolgálatához segítségért.**

HU

LÁNCVEZETŐ

A láncfűrész olyan láncvezetővel van felszerelve, amely kis átmérőjű orral rendelkezik. A kis átmérőjű orrnál általában kisebb az esetleges visszarúgás. Amikor kicseréli a láncvezetőt, akkor a jelen használati útmutatóban szereplő vezetőt rendelje meg.

ŐRIZZE MEG EZEKET AZ UTASÍTÁSOKAT!

INSTRUCȚIUNI GENERALE DE SIGURANȚĂ PENTRU SCULE ELECTRICE

⚠️ AVERTISMENT: Citiți toate instrucțiunile, avertizările de siguranță, ilustrațiile și specificațiile livrate împreună cu această sculă electrică.

Nerespectarea tuturor instrucțiunilor enumerate mai jos se poate solda cu șoc electric, incendiu și/sau vătămare corporală gravă.

PĂSTRAȚI TOATE AVERTIZĂRILE ȘI INSTRUCȚIUNILE PENTRU CONSULTARE ULTERIOARĂ.

Termenul „sculă electrică” din avertizări se referă la scula electrică (cu cablu) alimentată de la rețeaua electrică sau scula electrică (fără cablu de alimentare) care funcționează cu acumulator.

SIGURANȚA ZONEI DE LUCRU

- **Păstrați zona de lucru curată și bine iluminată.** Zonele dezordonate și întunecoase predispun la accidente.
- **Nu puneți în funcțiune sculele electrice în atmosfere explozive, cum ar fi în prezența lichidelor, gazelor sau prafurilor inflamabile.** Sculele electrice creează scânteii, care pot aprinde praful sau gazele.
- **Țineți copiii și persoanele prezente la distanță atunci când operați o sculă electrică.** Distragerea atenției vă poate face să pierdeți controlul.

RO

SIGURANȚA ELECTRICĂ

- **Ștecherile sculelor electrice trebuie să corespundă cu priza de rețea electrică.** Nu modificați niciodată ștecherul în vreun fel. Nu utilizați adaptoare de priză cu scule electrice împământate. Ștecherile nemodificate și prizele adecvate vor reduce riscul de electrocutare.
- **Evitați contactul corpului cu suprafețele legate la împământare, cum sunt țevile, caloriferele, mașinile de gătit și frigiderele.** Acest lucru reprezintă un risc sporit de electrocutare în cazul care corpul dumneavoastră este împământat.
- **Nu expuneți sculele electrice la ploaie sau condiții de umiditate.** Pătrunderea apei într-o sculă electrică va crește riscul de electrocutare.
- **Nu folosiți în mod abuziv cablul de alimentare.** Nu utilizați niciodată cordonul de alimentare pentru a transporta, a trage sau a scoate din priză scula electrică. Țineți cablul de alimentare departe de căldură, ulei, margini tăioase sau piese în mișcare. Cablurile electrice deteriorate sau încălcite cresc riscul de electrocutare.
- **Când utilizați o sculă electrică în aer liber utilizați un cablu prelungitor adecvat pentru utilizarea în aer liber.** Utilizarea unui cablu adecvat pentru utilizare în aer liber reduce riscul de electrocutare.

- **Dacă utilizarea unei scule electrice într-o zonă umedă este inevitabilă, utilizați o sursă de alimentare protejată cu un întrerupător de protecție la defecțiune circuit de împământare.** Utilizarea unui astfel de întrerupător reduce riscul de electrocutare.

SIGURANȚA PERSONALĂ

- **Păstrați-vă vigilența, urmăriți ceea ce faceți și apelați la bunul simț când utilizați o sculă electrică.** Nu utilizați o sculă electrică când sunteți obosit, sau sub influența drogurilor, a alcoolului sau a medicației. Un moment de neatenție în timp ce utilizați sculele electrice se poate solda cu vătămări grave.
- **Utilizați echipamente de protecție personală. Purtați întotdeauna echipament de protecție oculară.** Echipamentele de protecție, cum ar fi masca de praf, bocancii de protecție antiderapanți, cască sau antifoaanele utilizate în condiții corespunzătoare, vor reduce vătămrile corporale.
- **Preveniți pornirea accidentală. Asigurați-vă că întrerupătorul este în poziția oprit înainte de a conecta la o sursă de alimentare și/sau set de acumulatori, înainte de a ridica sau transporta scula.** Transportul sculelor electrice cu degetul pe întrerupător sau cu alimentarea cu energie electrică pornită, predis pune la accidente.
- **Îndepărtați orice cheie de reglare sau cheie fixă înainte de a porni scula electrică.** O cheie lăsată într-o piesă rotativă a sculei electrice poate duce la accidente.
- **Nu vă întindeți prea tare. Păstrați-vă stabilitatea și echilibrul în orice moment.** Astfel veți avea un mai bun control asupra sculei electrice în situații neașteptate.
- **Îmbrăcați-vă corespunzător. Nu purtați haine largi sau bijuterii.** Păstrați-vă părul, îmbrăcămintea și mânușile departe de componentele în mișcare. Îmbrăcămintea largă, bijuteriile sau părul lung pot fi prinse de piesele în mișcare.
- **Dacă sunt furnizate dispozitive pentru conectarea sistemelor de extragere și colectare a prafului, asigurați-vă că acestea sunt conectate și utilizate corespunzător.** Utilizarea dispozitivelor colectoare de praf poate reduce pericolele legate de praf.
- **Nu permiteți ca familiaritatea dobândită în urma utilizării frecvente a sculelor să vă facă să neglijați sau să nesocotiți principiile de siguranță ale sculei.** O operație neglijentă poate cauza răni grave într-o fracțiune de secundă

UTILIZAREA ȘI ÎNGRIJIREA SCULELOR ELECTRICE

- **Nu forțați scula electrică. Utilizați scula electrică corespunzătoare pentru aplicația dumneavoastră.** Scula electrică corectă va face o treabă mai bună și mai sigură utilizată conform specificațiilor pentru care a fost concepută.

- **Nu utilizați scula electrică dacă întrerupătorul nu comută pe pozițiile pornit și oprit.** Orice sculă electrică ce nu poate fi controlată cu întrerupătorul este periculoasă și trebuie reparată.
- **Deconectați ștecherul de la sursa de alimentare și/sau setul de acumulatori de scula electrică înainte de efectuarea oricărui reglaje, schimbări de accesorii sau înainte de depozitarea sculelor electrice.** Astfel de măsuri preventive reduc riscul de pornire accidentală a sculei electrice.
- **Depozitați sculele electrice într-un loc inaccesibil copiilor și nu permiteți utilizarea sculei electrice de persoane nefamiliarizate cu aceasta sau cu aceste instrucțiuni.** Sculele electrice sunt periculoase în mâna utilizatorilor neinstruiți.
- **Întrețineți sculele electrice și accesoriile.** Verificați dacă există abateri de la coaxialitate sau îndoiri ale pieselor în mișcare, avarii ale pieselor și orice altă situație care poate afecta funcționarea sculelor electrice. În caz de deteriorare, reparați scula electrică înainte de utilizare. Multe accidente sunt cauzate de sculele electrice prost întreținute.
- **Mențineți sculele de tăiere ascuțite și curate.** Sculele de tăiere întreținute corespunzător și cu muchii de tăiere ascuțite riscă mai puțin să se îndoiască și sunt mai ușor de controlat.
- **Utilizați scula electrică, accesoriile și cuțitele demontabile etc. în conformitate cu aceste instrucțiuni, ținând cont de condițiile de lucru și lucrarea de efectuat.** Utilizarea sculei electrice pentru operații diferite de cele intenționate s-ar putea solda cu o situație periculoasă.
- **Mențineți mânerul și suprafețele de apucat uscate, curate și fără ulei și vaselină.** Mânerul și suprafețele de apucare alunecoase pot duce la manevrarea în nesiguranță și/sau la pierderea controlului asupra sculei.

UTILIZAREA ȘI ÎNGRIJIREA ACUMULATORULUI

- **Reîncărcați numai cu încărcătorul specificat de producător.** Un încărcător adecvat pentru un tip de set de acumulatori poate prezenta risc de incendiu dacă este utilizat cu alt set de acumulatori.
- **Utilizați sculele electrice doar cu seturile de acumulatori special menționate.** Utilizarea oricărui alt set de acumulatori prezintă risc de accidente și incendiu.
- **Când nu se utilizează setul de acumulatori, țineți-l departe de alte obiecte metalice precum clamele de hârtie, monedele, cheile, cuiele, șuruburile sau alte obiecte metalice mici care pot realiza o conexiune între borne.** Scurtcircuitarea bornelor acumulatorului poate produce arsuri sau un incendiu.
- **În condiții abuzive se poate scurge lichid din acumulator; evitați contactul.** Dacă are loc contactul accidental, clătiți cu apă. Dacă lichidul intră în contact cu ochii, efectuați suplimentar un consult medical. Lichidul scurs din acumulator poate produce iritări sau arsuri.
- **Nu utilizați un set de acumulatori sau o sculă avariată sau modificată.** Acumulatorii deteriorați sau modificați pot prezenta comportament imprevizibil, care poate duce la incendii, explozie sau risc de vătămare.
- **Nu expuneți setul de acumulatori la foc sau la temperaturi excesive.** Expunerea la foc sau la temperaturi de peste 130°C poate provoca explozie.
- **Respectați instrucțiunile de încărcare și nu încărcați setul de acumulatori sau scula în afara intervalului de temperatură specificat în instrucțiuni.** Încărcarea necorespunzătoare sau la temperaturi în afara domeniului specificat poate duce la deteriorarea acumulatorului și la creșterea riscului de incendiu.

DEPANARE

- **Apelați numai la o persoană calificată pentru a vă repara scula electrică utilizând numai piese de schimb identice.** Astfel se asigură menținerea nivelului de siguranță al sculei electrice.
- **Nu efectuați niciodată operații de service asupra seturilor de acumulatori avariați.** Depanarea acumulatorilor trebuie să fie efectuată numai de producător sau de prestatorii autorizați de servicii.

AVERTISMENTE DE SIGURANȚĂ PRIVIND FERĂSTRĂUL CU LANȚ

- **Țineți toate părțile corpului la distanță de lanțul ferăstrăului când ferăstrăul este în funcțiune.** Înainte de a porni ferăstrăul, asigurați-vă că lanțul ferăstrăului nu este în contact cu nimic. Un moment de neatenție în timp ce utilizați ferăstrăul cu lanț se poate solda cu agățarea de către lanț a hainelor sau corpului dumneavoastră.
- **Țineți întotdeauna ferăstrăul cu lanț cu mâna dreaptă pe mânerul posterior și cu mâna stângă pe mânerul frontal.** Ținerea ferăstrăului cu lanț în configurație inversă a mâinilor crește riscul de vătămare personală și nu trebuie procedat astfel niciodată.
- **Țineți ferăstrăul cu lanț numai de suprafețele izolate speciale deoarece lanțul ferăstrăului poate contacta cablaje ascunse.** Lanțurile de ferăstrău care intră în contact cu un fir „sub tensiune” poate pune sub tensiune părțile metalice exterioare ale sculei electrice și poate electrocuta operatorul.
- **Purtați echipament de protecție oculară.** Se recomandă purtarea de echipament suplimentar de protecție pentru auz, cap, mâini, picioare și tălpi. Îmbrăcămintea adecvată de protecție va reduce gradul de vătămare personală cauzat de resturile zburătoare sau contactul accidental cu lanțul ferăstrăului.
- **Nu utilizați un ferăstrău cu lanț într-un copac, pe o scară, pe un acoperiș sau pe orice alt suport instabil.** Utilizarea unui ferăstrău cu lanț în acest mod s-ar putea solda cu vătămări grave.

RO

- **Păstrați-vă întotdeauna stabilitatea și utilizați ferăstrăul cu lanț numai când stați pe o suprafață stabilă, plană și sigură.** Suprafețele alunecoase sau instabile, cum sunt scările, pot cauza pierderea echilibrului sau a controlului asupra ferăstrăului cu lanț.
- **Când tăiați o creangă care este în tensiune, fiți atenți la revenire.** Când se eliberează tensiunea din fibrele de lemn, creanga tensionată poate lovi operatorul și/sau poate arunca ferăstrăul cu lanț în mod necontrolat.
- **Fiți foarte atenți când tăiați tufișuri și puieti.** Materialul subțire poate prinde ferăstrăul cu lanț și îl poate ricoșa către dumneavoastră, sau vă poate dezechilibra.
- **Transportați ferăstrăul cu lanț ținându-l de mânerul frontal, având ferăstrăul oprit și ținându-l la distanță de corp.** Când transportați sau depozitați ferăstrăul cu lanț, echipați-l întotdeauna cu teaca șinei de ghidare. Manevrarea corespunzătoare a ferăstrăului cu lanț va reduce probabilitatea unui contact accidental cu lanțul în mișcare al ferăstrăului.
- **Respectați instrucțiunile privind ungerea, tensionarea lanțului și schimbarea accesoriilor.** Lanțul lubrifiat sau tensionat necorespunzător se poate rupe sau poate crește posibilitatea de recul.
- **Mențineți mânerele uscate, curate și fără ulei și vaselină.** Mânerele unsuroase sau uleioase sunt alunecoase, provocând pierderea controlului.
- **Tăiați numai lemn. Nu utilizați ferăstrăul cu lanț în alt scop în afara celui pentru care este destinat. De exemplu: nu utilizați ferăstrăul cu lanț pentru tăierea plasticului, zidăriei sau a materialelor de construcții nelemnoase.** Utilizarea ferăstrăului cu lanț pentru operații diferite de cele pentru care este destinat s-ar putea solda cu o situație periculoasă.
- **Nu încercați să doborâți un copac dacă nu înțelegeți riscurile și cum să le evitați.** Operatorul sau trecătorii pot fi răniți grav în timpul doborârii unui copac.

CAUZE ȘI PREVENIREA DE CĂTRE OPERATOR A RECULULUI

Reculul poate apărea când vârful șinei de ghidare atinge un obiect, sau când lemnul se apropie și strânge lanțul ferăstrăului în tăietură. (Fig. A)

Contactul vârfului în anumite cazuri poate cauza o acțiune inversă bruscă, lovind șina de ghidare în sus și înapoi, în direcția operatorului (Fig. B).

Prinderea lanțului ferăstrăului de-a lungul părții superioare a șinei de ghidare poate împinge rapid șina de ghidare înapoi, în direcția operatorului (Fig. C).

Oricare dintre aceste reacții se poate solda cu pierderea controlului asupra ferăstrăului, care ar putea avea ca rezultat vătămarea gravă a utilizatorului. Nu vă bazați exclusiv pe dispozitivele de siguranță încorporate în ferăstrăul dumneavoastră.

În calitate de utilizator de ferăstrău cu lanț, trebuie să luați

câteva măsuri pentru executarea lucrărilor de tăiere fără accidente sau vătămări.

Reculul este rezultatul utilizării necorespunzătoare a sculei și/sau a procedurilor sau condițiilor de operare incorecte și poate fi evitat prin luarea măsurilor de precauție adecvate menționate mai jos:

- **Țineți mânerele cu fermitate, cu degetele mari și restul degetelor prinzând mânerele, având ambele mâini pe ferăstrău și poziționați-vă corpul și brațul astfel încât să vă permită să rezistați la forțele reculului (Fig. D).** Forțele de recul pot fi controlate de operator dacă se iau măsurile corespunzătoare. Nu dați drumul la ferăstrău.
- **Nu vă întindeți spre locuri îndepărtate și nu tăiați deasupra înălțimii umărului.** Acest lucru împiedică contactul accidental al vârfului și permite să aveți un control mai bun asupra ferăstrăului cu lanț în situații neașteptate.
- **Utilizați numai șine și lanțuri de rezervă specificate de producător.** Înlocuirea incorectă a șinelor și lanțurilor se poate solda cu ruperea lanțului și/sau recul.
- **Respectați instrucțiunile producătorului cu privire la ascuțirea și întreținerea ferăstrăului cu lanț.** Reducerea adâncimii tăieturii poate conduce la recul crescut.
- **Asigurați-vă că zona în care tăiați nu este obstrucționată.** Nu lăsați vârful șinei să intre în contact cu un buștean, creangă, gard sau orice alt obstacol care ar putea fi lovit în timp ce operați acest ferăstrău.
- **Întotdeauna tăiați cu ferăstrăul la viteza sa maximă.** Strângeți la maxim trăgaciul declanșator și mențineți viteza de tăiere.
- **Datorită înțelegerii minime a fenomenului de recul, puteți reduce sau elimina elementul surpriză.** Reacțiile bruște contribuie la accidente.
- **Păstrați-vă stabilitatea și echilibrul în orice moment.**
- **Împingerea și tragerea** – Forța de reacție este întotdeauna în sensul opus al direcției de deplasare a lanțului când aceasta intră în contact cu lemnul. Din acest motiv, operatorul trebuie să fie pregătit să controleze TRAGEREA când taie folosind muchia inferioară a șinei, și ÎMPINGEREA când taie utilizând muchia superioară a șinei (Fig. E).

DISPOZITIVE DE SIGURANȚĂ PENTRU REcul DE PE ACEST FERĂSTRĂU

FRÂNA DE LANȚ

Ferăstrăul cu lanț este echipat cu o frână de lanț care oprește motorul dar și lanțul din mișcare în cazul unui recul. Frâna de lanț poate fi activată de mișcarea înainte de a mânerului frânei de recul a lanțului pe măsură ce ferăstrăul se rotește înapoi în timpul reculului; poate fi activată și de forțele inerțiale formate în timpul împingerii rapide înapoi.

⚠️ AVERTISMENT: Nu modificați niciodată sau să încercați să dezactivați frâna de lanț.

Asigurați-vă că frâna de lanț funcționează corect înainte de a utiliza ferăstrăul cu lanț. Mănerului frânei de recul a lanțului trebuie să se poată mișca înainte și înapoi cu ușurință.

- Pentru a testa funcționarea frânei de lanț, efectuați pașii următori (Fig. F):
- Amplasați ferăstrăul cu lanț pe o suprafață liberă netedă și asigurați-vă că în apropiere nu există obiecte sau obstacole care ar putea intra în contact cu șina și cu lanțul.
- Dezactivați frâna de lanț trăgând mânerul frânei de recul a lanțului înspre mânerul frontal.
- Puneți ferăstrăul în funcțiune.
- Împingeți mânerului frânei de recul a lanțului înspre partea din față a ferăstrăului. O frână de mână care funcționează corect va opri imediat lanțul din mișcare. Dacă frâna de lanț nu funcționează corect, nu utilizați ferăstrăul cu lanț până când acesta este reparat de un tehnician de service autorizat.

F-1	Mănerul frânei de recul a lanțului în poziția de funcționare
F-2	Mănerul frânei de recul a lanțului în poziția de frânare

⚠️ AVERTISMENT: Înainte de fiecare utilizări, asigurați-vă că ferăstrăul funcționează corect.

⚠️ AVERTISMENT: Dacă frâna de lanț este înfundată cu așchii de lemn, este posibil ca funcția frânei de lanț să se deterioreze. Păstrați dispozitivul întotdeauna în stare curată.

LANȚ DE FERĂSTRĂU CU RECOL REDUS

Limitatoarele de adâncime situate înaintea fiecărui dinte de tăiere pot minimiza forța unei reacții de recul împiedicând dinții să sape prea adânc în zona de recul. Utilizați numai un lanț de schimb care este echivalentul celui original sau care este aprobat ca fiind compatibil cu cel original.

⚠️ ATENȚIE: Deoarece lanțurile de ferăstrău sunt ascuțite în timpul vieții lor utile, acestea pot să piardă din calitățile lor de reducere a reculului și se recomandă grijă suplimentară.

AVERTISMENTE SUPLIMENTARE

- **Un ferăstrău cu lanț este proiectat pentru a fi utilizat cu ambele mâini.** Utilizarea ferăstrăului cu o singură mână poate avea ca rezultat vătămarea gravă a operatorului, asistenților și/sau a trecătorilor.

- **Evitați contactul neintenționat cu lanțul staționar al ferăstrăului sau cu șinele barei de ghidare.** Acestea pot fi foarte ascuțite. Intotdeauna purtați mănuși și pantaloni lungi sau suprapantaloni când manevrați ferăstrăul cu lanț, lanțul de ferăstrău sau șina de ghidare.
- **Nu utilizați un ferăstrău cu lanț care este deteriorat, reglat necorespunzător sau nu este asamblat complet și în siguranță.** Asigurați-vă că lanțul ferăstrăului se oprește din mișcare când trăgaciul declanșator este eliberat.
- **Verificați piesa de prelucrat pentru depistarea cuielor, a sârmei sau a altor obiecte străine înainte de a vă apuca de tăiat.**
- **Când piesa este amplasată pe capră, siguranța-i înainte de a începe să tăiați.** Când tăiați copaci sau îi curățați, identificați și securizați crengile periculoase.
- **Tăiatul agresiv sau abuziv ori utilizarea greșită a ferăstrăului cu lanț poate cauza uzura prematură a barei, lanțului și/sau a pinionului precum și ruperea lanțului ori a barei, putând duce la recul sau la ejectarea materialelor de către lanț.**
- **Nu utilizați niciodată șina de ghidare ca și levier.** O șină de ghidare îndoită poate cauza uzura prematură a barei, lanțului și/sau a pinionului precum și ruperea lanțului ori a barei, putând duce la recul sau la ejectarea materialelor de către lanț.
- **Tăiați numai o singură piesă odată.**
- **Nu încărcăți setul de acumulatori în condiții de ploaie sau de umezeală.**
- **Planificați lucrarea, asigurându-vă că zona de lucru este neobstrucționată și, în cazul tăierilor de copaci, asigurați-vă că aveți cel puțin un traseu de evacuare din calea copacului în cădere.**
- **Când tăiați copaci, mențineți trecătorii la o distanță de cel puțin două sau trei lungimi.**
- **În cazul situațiilor care nu sunt adresate în acest manual, utilizați grijă și raționament.** Contactați Serviciul clienți EGO pentru ajutor.

ȘINA DE GHIDARE

Acest ferăstrău este echipat cu o șină de ghidare al cărui vârf are o rază mică. Vârfurile cu rază mică, în genera, prezintă un risc mai mic de recul. Când înlocuiți șina de ghidare, asigurați-vă să comandați șina specificată în acest manual.

PĂSTRAȚI ACESTE INSTRUCȚIUNI!

RO

SPLOŠNA VARNOSTNA OPOZORILA ZA ELEKTRIČNA ORODJA

⚠ OPOZORILO: preberite vsa varnostna opozorila, navodila, slike in tehnične podatke, ki so priloženi temu električnemu orodju. Zaradi neupoštevanja spodaj navedenih navodil lahko pride do električnega udara, požara in/ali hudih telesnih poškodb.

VSA OPOZORILA IN NAVODILA SHRANITE ZA KASNEJŠO UPORABO.

Izraz »električno orodje« v opozorilih se nanaša na orodja, ki jih poganja električni tok (žična), ali na baterijska (brezžična) orodja.

VARNOST DELOVNEGA OBMOČJA

- Delovno območje naj bo čisto in dobro osvetljeno. V neurejenih in temnih območjih se rade zgodijo nesreče.
- Električnega orodja ne upravljajte v eksplozivnih okoljih, kot je ob prisotnosti vnetljivih tekočin, plinov ali prahu. Električno orodje ustvarja iskre, ki lahko povzročijo vžig prahu ali hlapov.
- Med uporabo električnega orodja v bližino ne pustite otrok in drugih ljudi. Zaradi motenj lahko izgubite nadzor.

ELEKTRIČNA VARNOST

- Vtiči električnih orodij se morajo prilegati vtičnicam. Vtiča nikoli ne smete spreminjati na kakršen koli način. Z ozemljenimi električnimi orodji ne uporabljajte adapterjev. Nespremenjeni vtiči in ujemačo se vtičnice bodo zmanjšale tveganje za električni udar.
- Izogibajte se telesnemu stiku z ozemljenimi površinami, kot so cevi, radiatorji, štedilniki in hladilniki. Če je vaše telo ozemljeno, obstaja povečano tveganje električnega udara.
- Orodja ne izpostavljajte dežju ali vlažnim vremenskim pogojem. Če v električno orodje zaide voda, obstaja večja možnost električnega udara.
- Ne poškodujte električnega kabla. Kabla nikoli ne uporabljajte za nošenje, vlečenje ali odklapanje električnega orodja. Kabel hranite stran od vročine, olja, ostrih robov ali premikajočih se delov. Poškodovani ali zapleteni kabli zvišujejo tveganje električnega udara.
- Med zunanjo uporabo električnega orodja uporabljajte podaljšek, ki je primeren za zunanjo uporabo. Uporaba kabla, primerne za zunanjo uporabo, znižuje tveganje električnega udara.
- Če je uporaba električnega orodja na vlažnem mestu neizogibna, uporabite stikalo za prekinitev

napajanja pri najmanjšem okvarnem toku. Uporaba stikala bo zmanjšala nevarnost električnega udara.

OSEBNA VARNOST

- Med uporabo električnega orodja bodite pozorni, spremljajte potek dela in uporabljajte zdrav razum. Električnega orodja ne uporabljajte, kadar ste utrujeni ali pod vplivom drog, alkohola ali zdravil. Trenutek nepazljivosti med uporabo električnega orodja lahko povzroči hude telesne poškodbe.
- Uporabljajte osebno varovalno opremo. Vedno poskrbite za zaščito za oči. Če v različnih okoliščinah nosite ustrezno zaščitno opremo, kot so maska proti prahu, obutev z nedrsečim podplatom, trdno pokrivalo glave in zaščita za sluh, zmanjšate možnost telesnih poškodb.
- Preprečite neželen zagon. Pred priklopom napajanja in/ali baterijskega sklopa, pred dvigovanjem ali nošenjem orodja se prepričajte, da je stikalo v položaju za izklop. Prenašanje električnih orodij s prstom na stikalu ali dovajanje napajanja električnim orodjem, pri katerih je stikalo v položaju za vklop, poveča tveganje nesreč.
- Pred vklopom električnega orodja odstranite morebitne nastavitvene ključe ali izvijače. Izvijač ali ključ, ki je pritrjen na vrtljivi del električnega orodja, lahko povzroči telesne poškodbe.
- Ne stegujte se preveč. Pazite, da stojite stabilno in imate ravnotežje. To omogoča boljši nadzor nad električnim orodjem v nepričakovanih situacijah.
- Bodite primerno oblečeni. Ne nosite ohlapnih oblačil ali nakita. Pazite, da lasje, oblačila in rokavice ne pridejo v bližino gibljivih delov. Ohlapna oblačila, nakit ali dolgi lasje se lahko zapletejo v gibljive dele.
- Če imate na voljo naprave za sesanje in zbiranje prahu, preverite, ali so priključene in ali se ustrezno uporabljajo. Uporaba naprav za odstranjevanje prahu lahko zmanjša nevarnosti, povezane s prahom.
- Čeprav dobro poznate orodje zaradi pogoste uporabe, ne postanite ravnodušni in ne prezirajte varnostnih načel orodja. Nepazljivost pri uporabi lahko povzroči hude telesne poškodbe v delcu sekunde.

UPORABA IN NEGA ELEKTRIČNEGA ORODJA

- Električnega orodja ne preobremenjujte. Uporabite električno orodje, ki ustreza vašemu delu. Ustrezno električno orodje bo nalogo opravilo bolje in varneje pri zmogljivosti, za katero je bilo zasnovano.
- Ne uporabljajte električnega orodja, če ga ni mogoče vklopiti ali izklopiti s stikalom. Kakršno koli električno orodje, ki ga ni mogoče nadzirati s stikalom, je nevarno in ga je potrebno popraviti.

- Odklopite vtič iz vira napajanja in/ali baterije, preden opravite kakršne koli prilagoditve, menjate dodatke ali shranjujete električno orodje. Tovrstni preventivni varnostni ukrepi zmanjšujejo tveganje nenamernega zagona električnega orodja.
- Električna orodja, ki niso v uporabi, shranjujte izven dosega otrok in ne dovolite, da bi električno orodje uporabljale osebe, ki niso seznanjene z električnim orodjem ali s temi navodili. Električno orodje je v rokah neusposobljenih uporabnikov nevarno.
- Električna orodja in dodatke redno vzdržujte. Preverite morebitno nepravilnost ali povezavo premikajočih se delov, zlome delov ali morebitno drugačno stanje, ki bi lahko vplivalo na delovanje električnega orodja. Če je električno orodje poškodovano, ga pred ponovno uporabo nesite na popravilo. Mnogo nesreč se pripeti zaradi slabo vzdrževanih električnih orodij.
- Rezalna orodja naj bodo vedno nabrušena in čista. Pravilno vzdrževana rezalna orodja z ostrimi rezili se težje zaskočijo in jih je lažje nadzirati.
- Električno orodje, dodatke in dele orodja itd. uporabljajte v skladu s temi navodili, pri tem pa upoštevajte delovne pogoje in delo, ki ga boste opravljali. Če boste električno orodje uporabljali za neustrezne namene, lahko pride do nevarnih situacij.
- Ročaji in prijemne površine naj bodo suhe, čiste in brez madežev olja ali masti. Drseči ročaji in prijemne površine lahko povzročijo nevarno upravljanje in/ali izgubo nadzora nad orodjem.

UPORABA IN VZDRŽEVANJE BATERIJSKEGA ORODJA

- Baterijo polnite le s polnilnikom, ki ga določa proizvajalec. Polnilnik, ki ustreza eni vrsti baterijskega sklopa, morda lahko povzroči požar, če z njim polnite drugo vrsto baterijskega sklopa.
- Baterijska orodja uporabljajte samo s predpisano vrsto baterij. Uporaba katerih koli drugih baterijskih sklopov lahko povzroči tveganje poškodb in požara.
- Ko baterijski sklop ni v uporabi, ga hranite ločeno od kovinskih predmetov, kot so sponke za papir, kovanci, ključji, žebliji, vijaki ali drugi majhni kovinski predmeti, ki lahko povzročijo stik med enim in drugim terminalom. Kratek stik zaradi povezanih terminalov baterije lahko povzroči opekline ali požar.
- Ob zlorabi baterije lahko iz nje steče tekočina. Če se nehote dotaknete tekočine, mesto dotika sperite z vodo. Če pride tekočina v stik z očmi, poiščite zdravstveno pomoč. Tekočina, ki izteče iz baterije, lahko povzroči vnetje ali opekline.
- Baterijskega sklopa ali orodja, ki je poškodovano ali spremenjeno, ne uporabljajte. Poškodovane ali spremenjene baterije se lahko nepredvidljivo vedejo, kar lahko povzroči požar, eksplozijo ali tveganje telesnih poškodb.
- Baterijskega sklopa ali orodja ne izpostavljajte ognju ali previsokim temperaturam. Izpostavljenost ognju ali temperaturam nad 130 °C lahko povzroči eksplozijo.
- Upoštevajte vsa navodila za polnjenje in baterijskega sklopa ali orodja ne polnite izven temperaturnega razpona, navedenega v navodilih. Nepravilno polnjenje ali temperature izven navedenega razpona lahko poškodujejo baterijo in povečajo tveganje požara.

SERVIS

- Električno orodje naj servisira usposobljeno servisno osebje, ki uporablja le enake nadomestne dele. To bo zagotovilo ohranjanje varnosti električnega orodja.
- Nikoli ne popravljajte poškodovanih baterijskih sklopov. Baterijske sklope lahko popravi le proizvajalec ali pooblaščen izvajalec storitev.

VARNOSTNA NAVODILA ZA VERIŽNO ŽAGO

- Med delovanjem motorne žage držite dele telesa proč od nje. Preden verižno žago zaženete, se prepričajte, da se veriga žage ničesar ne dotika. Trenutek nepazljivosti med delovanjem verižne žage lahko povzroči zapletanje oblačil ali telesa z žago.
- Verižno žago vedno držite z desno roko na zadnjem ročaju in levo roko na sprednjem ročaju. Obratno držanje motorne žage poveča nevarnost poškodb, zato se temu izogibajte.
- Verižno žago držite samo za izolirane prijemalne površine, saj se veriga lahko dotika skritega ožičenja. Verižne žage, ki so v stiku z žico pod napetostjo, lahko povzročijo, da so izpostavljeni kovinski deli električnega orodja pod napetostjo, kar lahko povzroči električni udar za upravljalca.
- Uporabljajte zaščito za oči. Priporočamo tudi uporabo druge zaščitne opreme za sluh, glavo, roke, noge in stopala. Ustrezna zaščitna oblačila zmanjšajo telesne poškodbe zaradi letočih ostankov ali nenamernega stika z verižno žago.
- Verižne žage ne uporabljajte na drevesu, lestvi, strehi ali kakršno koli nestabilni površini. Če verižno žago uporabljate na ta način, lahko pride do hudih telesnih poškodb.

SL

- **Vedno stojte trdno na tleh in motorno žago uporabljajte le na fiksni, varni in ravni podlagi.** Spolzke ali nestabilne površine, kot so lestve, lahko povzročijo izgubo ravnotežja ali nadzora nad verižno žago.
- **Pri žaganju veje, ki je pod napetostjo, bodite pozorni na povratni udarec.** Ko je napetost v lesnih vlaknih sproščena, lahko veja, ki je bila pod pritiskom, udari upravljavca in/ali vrže verižno žago izpod nadzora.
- **Bodite posebej pozorni pri žaganju grmičevja in mladega drevja.** Takšen les lahko namreč zatakne motorno žago oziroma zleti v vas ter vas vrže iz ravnotežja.
- **Motorno žago nosite tako, da jo držite za sprednji ročaj in stran od telesa, motorna žaga pa mora biti izključena. Med transportom ali skladiščenjem verižne žage vedno uporabljajte pokrov za vodilo meča žage.** Ob pravilnem ravnanju z motorno žago zmanjšate nevarnost nepredvidenega stika s premičnimi deli motorne žage.
- **Upošteвайте navodila za mazanje, napenjanje verige in menjavo dodatkov.** Nepravilno napeta ali podmazana motorna žaga se lahko zlomi ali poveča možnost za povratne udarce.
- **Ročaji naj bodo suhi, čisti in brez mastnih madežev.** Mastni ročaji so spolzki in povzročijo izgubo nadzora.
- **Žagajte zgolj les. Motorne žage ne uporabljajte za žaganje drugih materialov. Na primer: žage ne uporabljajte za žaganje plastike, zidov ali drugih gradbenih materialov, ki niso izdelani iz lesa.** Če boste verižno žago uporabljali za neustrezne namene, lahko pride do nevarnih situacij.
- **Drevesa ne poskušajte podreti, dokler se ne seznanite s tveganji in s tem, kako jih preprečite.** Pri podiranju dreves lahko pride do hudih telesnih poškodb upravljavca ali drugih prisotnih oseb.

VZROKI IN UPRAVLJAVČEVO PREPREČEVANJE POVRATNEGA UDARCA

Do povratnega udarca lahko pride, ko se sprednji del ali konica vodila meča dotakne predmeta ali ko les med žaganjem stisne motorno žago (slika A).

Dotik s konico lahko v nekaterih primerih povzroči nenadno povratno reakcijo tako, da vodilo meča vrže navzgor in nazaj proti upravljavcu (slika B).

Stiskanje verige vzdolž zgornjega dela vodila meča lahko meč hitro potisne nazaj proti upravljavcu (slika C).

V vseh zgoraj naštetih primerih lahko upravljavec izgubi nadzor nad motorno žago, kar lahko privede do resnih poškodb. Ne zanašajte se zgolj na zaščito, vgrajeno v motorno žago.

Če uporabljate motorno žago, morate tudi sami poskrbeti za primerno zaščito med žaganjem.

Povratni udarec je posledica nepravilne uporabe orodja in/ali nepravilnih delovnih postopkov ali pogojev, temu pa se lahko izognete s pravilnimi ukrepi, opisanimi spodaj:

- **Vzdržujte čvrst prijem tako, da s prsti trdno oprijemate ročaje verižne žage. Žago držite z obema rokama, telo in roki pa naj bodo v položaju, ki vam bo dovoljeval upor proti silam povratnega udarca (slika D).** Upravljevec lahko zlahka nadzira povratne udarce, če upošteva pravilne ukrepe. Motorne žage ne spustite z rok.
- **Ne segajte predaleč in ne žagajte nad višino ramen.** S tem pomagajte preprečiti nepredviden stik s konico in si zagotovite boljši nadzor nad motorno žago v nepredvidenih situacijah.
- **Uporabljajte zgolj nadomestne meče in verige, ki jih je priporočil proizvajalec.** Nepravilni nadomestni deli in verige lahko povzročijo prelom verige in/ali povratni udarec.
- **Upošteвайте navodila proizvajalca glede brušenja in vzdrževana motorne žage.** Nižanje višine merilca za globino lahko poveča nevarnost povratnega udarca.
- **Prepričajte se, da na območju žaganja ni ovir.** Ne dovolite, da se konica vodila meča dotakne hloda, veje, ograje ali katere druge ovire, ki bi jo lahko zadeli med upravljanjem verižne žage.
- **Žagajte vedno s polno hitrostjo enote.** Sprožilec stikala popolnoma stisnite in ohranajte hitrost žaganja.
- **Z osnovnim razumevanjem povratnega udarca lahko zmanjšate ali izničite element presenečenja.** Nenadno presenečenje prispeva k nesrečam.
- **Pazite, da stojite stabilno in imate ravnotežje.**
- **Potisk in poteg – reakcijska sila je vedno nasprotna smeri gibanja žage na stiku z lesom.** Zato mora biti upravljavec vedno pripravljen nadzirati POTEK, ko žaga na spodnjem delu meča, in POTISK, ko žaga vzdolž zgornjega dela (slika E).

VARNOŠTNE NAPRAVE NA VERIŽNI ŽAGI PROTI POVRATNEMU UDARCU

ZAVORA VERIGE

Verižna žaga je opremljena z zavoro verige, ki ustavi motor in premikanje verige ob pojavu povratnega udarca. Zavoro verige lahko aktivirate s pomikom ročaja zavore verige ob povratnem udarcu naprej, ko se žaga med povratnim udarcem zasuče nazaj. Aktivira se lahko tudi z vztrajnostnimi silami, ki se ustvarijo med nenadnim protiudarcem.

⚠ OPOZORILO: nikoli ne spreminjajte ali poskušajte onemogočiti zavore verige.

Pred uporabo verižne žage se prepričajte, da zavora verige deluje pravilno. Ročaj zavore verige ob povratnem udarcu se mora zlahka premikati naprej in nazaj.

- Za preskus delovanja zavore verige izvedite naslednje korake (slika F):
- Verižno žago postavite na ravno in prazno površino in poskrbite, da v neposredni bližini ni predmetov ali ovir, ki bi lahko prišli v stik z mečem in verigo.
- Zavoro verige sprostite tako, da ročaj zavore verige ob povratnem udarcu potegnete proti sprednjemu ročaju.
- Zaženite verižno žago.
- Ročaj zavore verige ob povratnem udarcu potisnite proti sprednjemu delu žage. Ročna zavora, ki deluje pravilno, bo nemudoma ustavila verigo. Če zavora verige ne deluje pravilno, verižne žage ne uporabljajte dokler je ni popravil kvalificiran serviser.

F-1	Ročaj zavore verige ob povratnem udarcu v položaju za delovanje
F-2	Ročaj zavore verige ob povratnem udarcu v položaju za zaviranje

⚠ OPOZORILO: Pred vsako uporabo se prepričajte, da zavora verige deluje pravilno.

⚠ OPOZORILO: če je zavora verige zamašena z lesnimi sekanci, se lahko delovanje zavore poslabša. Naprava naj bo vedno čista.

VERIGA Z NIZKIM POV RATNIM UDARCEM

Merilniki globine pred vsakim rezilom lahko zmanjšajo silo povratnega udarca tako, da rezilom preprečijo preglobok vhod na območju povratnega udarca. Uporabljajte le nadomestno verigo, ki je enakovredna originalni verigi oziroma je certificirana.

⚠ POZOR: ker so verižne žage med njihovo življenjsko dobo ostrene, izgubijo nekaj lastnosti nizkega povratnega udarca, zato je potrebna dodatna previdnost.

DODATNA OPOZORILA

- **Verižna žaga je namenjena uporabi z obema rokama.** Zaradi uporabe z eno roko lahko pride do resnih poškodb upravljavca, pomočnikov in/ali opazovalcev.
- **Izognite se naključnemu stiku s stacionarno verigo ali zobniki vodila meča.** Lahko so zelo ostri. Pri upravljanju verižne žage, verige ali vodila meča vedno

nosite rokavice in dolge hlače.

- **Nikoli ne uporabljajte verižne žage, ki je poškodovana ali neprimerno nastavljena oziroma ni popolnoma in varno sestavljena.** Prepričajte se, da se veriga preneha premikati, ko sprostite sprožilec stikala.
- **Pred žaganjem obdelovanec preglejte za prisotnost žebeljev, žic in drugih tujkov.**
- **V primeru premikanja obdelovanec pričrvstite pred žaganjem.** Pri sekanju ali obrezovanju prepoznajte in zavarujte nevarne veje.
- **Agresivno ali grdo žaganje ali nepravilna uporaba verižne žage lahko povzroči predčasno obrabo meča, verige in/ali zobnika, prav tako tudi pretrganje verige ali meča, to pa lahko vodi do povratnega udarca, meta verige ali izmeta materiala.**
- **Vodila meča nikoli ne uporabljajte kot vzvod.** Upognjen meč lahko povzroči predčasno obrabo meča, verige in/ali zobnika, prav tako tudi pretrganje ali meča, to pa lahko vodi do povratnega udarca, meta verige ali izmeta materiala.
- **Naenkrat žagajte le en obdelovanec.**
- **Baterijskega sklopa ne polnite v dežju ali na vlažnih mestih.**
- **Načrtujte delo in zagotovite delovno območje brez ovir, v primeru podiranja pa tudi vsaj eno pot za pobeg pred padajočim drevesom.**
- **V primeru podiranja naj bodo opazovalci vsaj dve dolžini drevesa stran.**
- **Če pride do situacije, ki je ta priročnik ne predvideva, bodite pazljivi in uporabite dobro presojo. Za pomoč se obrnite na podporo za kupce izdelkov EGO.**

VODILO MEČA

Ta žaga je opremljena z vodilom meča, ki ima konico z majhnim radijem. Konice z majhnim radijem imajo na splošno manjšo verjetnost za povratni udarec. Pri zamenjavi vodila meča naročite meč, naveden v tem priročniku.

SHRANITE TA NAVODILA.

SL

BENDRIEJI ELEKTRINIO ĮRANKIO SAUGOS NURODYMAI

⚠ ĮSPĖJIMAS: Perskaitykite ir peržiūrėkite visus su šiuo elektriniu įrankiu pateiktus saugos nurodymus, instrukcijas, iliustracijas ir specifikacijas. Nesilaikant visų toliau išdėstytų nurodymų galima patirti elektros smūgį, sukelti gaisrą ir (ar) sunkiai susižaloti.

ĮŠSAUGOKITE VISAS INSTRUKCIJAS SU ĮSPĖJIMAIS, NES JŪ GALI PRIREIKTI ATEITYJE.

Įspėjimuose vartojamu terminu „elektrinis įrankis“ nurodomas iš elektros lizdo maitinamas (laidinis) arba baterija maitinamas (belaidis) elektrinis įrankis.

DARBO VIETOS SAUGA

- Darbo vieta turi būti švari ir gerai apšviesta. Jei darbo vieta netvarkinga ar blogai apšviesta, gali įvykti nelaimingas atsitikimas.
- Nedirbkite su elektros prietaisu sprogoje aplinkoje, pavyzdžiui, ten, kur yra degių skysčių, dujų arba dulkių. Elektriniai įrankiai gali kibirkščiuoti, o nuo kibirkščių gali užsidegti dulksės arba susikauptę garai.
- Dirbdami su elektriniu įrankiu, neleiskite artintis vaikams ir pašaliniais asmenims. Dėl dėmesio blaškymo galite nesuvaldyti įrankio.

ELEKTROSAUGA

- Elektrinio įrankio kištukas turi tikti elektros lizdui. Niekada jokiu būdu neperdarykite kištuko. Įžemintiems elektriniams įrankiams nenaudokite jokių kištukų adapterių. Originalūs kištukai ir jiems tinkantys elektros lizdai sumažina pavojų patirti elektros smūgį.
- Nesilieskite prie įžemintų paviršių, pavyzdžiui, vamzdžių, radiatorių, viryklių ir šaldytuvų. Jei jūsų kūnas bus įžemintas, padidės elektros smūgio pavojus.
- Saugokite elektrinius įrankius nuo lietaus ir drėgmės. Į elektrinio įrankio vidų patekus vandens padidėja elektros smūgio pavojus.
- Atsargiai elkitės su laidu. Niekada neneškite ir netempkite elektrinio įrankio, laikydami už maitinimo laido, norėdami ištraukti kištuką iš elektros lizdo. Saugokite laidą nuo kaitros šaltinių, alyvos, aštrių briaunų ir judančių dalių. Pažeidus arba supainiojus laidus, kyla didesnis pavojus patirti elektros smūgį.
- Naudodamiesi elektriniu įrankiu lauke, naudokite laukui skirtą laido ilgintuvą. Naudojant laukui skirtą maitinimo laidą, sumažėja pavojus patirti elektros smūgį.

- Jei nėra galimybės išvengti elektrinio įrankio naudojimo drėgnoje vietoje, naudokite maitinimo šaltinį, apsaugotą nuotėkio relė. Nuotėkio relė sumažina pavojų patirti elektros smūgį.

ASMENINĖ SAUGA

- Dirbdami su elektriniu įrankiu, būkite budrus, stebėkite, ką darote, ir vadovaukitės sveika nuovoka. Nedirbkite su prietaisu, jei esate pavargę arba vartojote narkotikus, alkoholį ar medikamentus. Dirbant su elektros prietaisais užtenka vienos neatidumo akimirkos ir galima sunkiai susižeisti.
- Naudokite asmens apsaugos priemones. Visada būkite su apsauginiais akiniais. Tinkamomis sąlygomis naudojamos apsaugos priemonės, pvz., respiratorius, neslidūs apsauginiai batai, šalmas arba ausinės, sumažina pavojų susižaloti.
- Apsisaugokite nuo atsitiktinio įrankio įsijungimo. Prieš jungdami prie maitinimo šaltinio ir (ar) sudėtinės baterijos, prieš įrankį keldami arba nešdami įsitikinkite, kad jungiklis yra išjungimo padėtyje. Nešant elektrinius įrankius uždėjus pirštą ant jungiklio arba netyčia jungiant elektrinį įrankį su įjungtu jungikliu, gali įvykti nelaimingas atsitikimas.
- Prieš įjungdami elektrinį įrankį, patraukite į šalį visus reguliavimo raktus ir veržliarakčius. Elektrinio įrankio sukamojoje dalyje likus raktui ar veržliarakčiui galima susižeisti.
- Nesistenkite pasiekti pernelyg toli. Visada stovėkite tvirtai ir išlaikykite pusiausvyrą. Tuomet geriau suvaldysite elektrinį įrankį netikėtoje situacijoje.
- Dėvėkite tinkamus drabužius. Nedėvėkite laisvų drabužių ir nešiokite laisvai kabančių papuošalų. Saugokite plaukus, drabužius ir pirštines nuo sukamųjų prietaiso dalių. Laisvus drabužius, papuošalus ar ilgus plaukus gali įtraukti besisukančios dalys.
- Jei yra įtaisai, skirti dulkių išsiurbimo ir surinkimo įtaisams prijungti, tinkamai juos prijunkite ir naudokite. Naudojant dulkių filtravimo įtaisus galima sumažinti kenksmingą dulkių poveikį.
- Dažnai naudodami įrankius pernelyg savimi nepasitikiškite ir nepraraskite budrumo, kad paisytumėte saugaus įrankio naudojimo taisyklių. Užtenka akimirkos, kad dėl neatsargaus veiksmo sunkiai susižalotumėte.

ELEKTRINIŲ ĮRANKIŲ NAUDOJIMAS IR PRIEŽIŪRA

- Elektrinio įrankio pernelyg nespauskite. Naudokite jūsų darbui tinkamą elektrinį įrankį. Veikdamas numatytuju greičiu, tinkamas elektrinis įrankis darbą atlieka veiksmingiau ir saugiau.

- **Nenaudokite elektrinio įrankio, jeigu jo negalima įjungti ar išjungti jungikliu.** Bet koks elektrinis įrankis, kurio jungiklis neveikia, yra pavojingas, tad jį būtina sutaisyti.
- **Prieš atlikdami bet kokius elektrinių įrankių derinimo, priedų keitimo arba sandėliavimo darbus, atjunkite kištuką nuo maitinimo šaltinio ir (ar) sudėtinę bateriją nuo elektrinio įrankio.** Ši saugumo priemonė apsaugos jus nuo netyčinio elektrinio įrankio įjungimo.
- **Nenaudojamus elektrinius įrankius laikykite vaikams neprieinamoje vietoje.** Su elektriniu įrankiu neleiskite dirbti asmenims, nesusipažinusiems su įrankiu arba šia instrukcija. Neapmokytų naudotojų naudojami elektriniai įrankiai kelia pavojų.
- **Tinkamai prižiūrėkite elektrinius įrankius ir jų priedus.** Patikrinkite, ar sukamos dalys išcentruotos ir nestringa, ar nėra sulūžusių dalių ir kitų sąlygų, galinčių turėti įtakos elektrinio įrankio veikimui. Jei elektrinis įrankis sugedęs, prieš naudodami jį suremontuokite. Daugelio nelaimingų atsitikimų priežastis yra netinkama elektrinių įrankių priežiūra.
- **Pjovimo įrenginiai turi būti aštrūs ir švarūs.** Tinkamai prižiūrimi pjovimo įrankiai aštriais ašmenimis rečiau stringa ir lengviau valdomi.
- **Elektrinį įrankį, priedus, antgalius ir kitas dalis naudokite pagal šią instrukciją, atsižvelgdami į darbo sąlygas ir atliekamą darbą.** Naudojant elektrinius įrankius ne pagal paskirtį gali susidaryti pavojingos situacijos.
- **Įrankių rankenos ir sugriebimo paviršiai turi būti sausi, švarūs ir neištepti alyva ar tepalu.** Dėl slidžių rankenų ir sugriebimo paviršių įrankį gali būti nesaugu naudoti ir (ar) galima jo nesuvaldyti.

AKUMULIATORINIŲ ĮRANKIŲ NAUDOJIMAS IR PRIEŽIŪRA

- **Pakartotinai kraukite tik naudodami gamintojo nurodytą įkroviklį.** Naudojant įkroviklį, skirtą kito tipo suudėtinei baterijai, gali kilti gaisro pavojus.
 - **Elektrinius įrankius naudokite tik su jiems skirtomis sudėtinėmis baterijomis.** Naudojant kitokias sudėtines baterijas gali kilti sužalojimų ir gaisro pavojus.
 - **Nenaudojama sudėtinė baterija turi būti laikoma atokiau nuo metalinių daiktų, tokių kaip svaržėlės, monetos, raktai, vinyas, varžtai ar kiti smulkūs metaliniai daiktai, galintys sujungti abu baterijos gnybtus.** Įvykus trumpajam jungimui tarp baterijos gnybtų galima nusideginti ar gali kilti gaisras.
 - **Dėl netinkamų sąlygų iš baterijos gali ištekėti skystis – nelieskite jo.** Skysčiui atsitiktinai patekus ant odos, nedelsiant nuplaukite vandeniu. Jeigu skystis pateko į akis, papildomai kreipkitės
- pagalbos į gydytojus. Iš baterijos ištekėjęs skystis gali dirginti arba nudeginti.
- **Nenaudokite pažeistos ar modifikuotos sudėtinės baterijos ar įrankio.** Tokios netinkamos sudėtinės baterijos gali kelti gaisro, sprogdimo ar sužalojimo pavojų.
 - **Sudėtinės baterijos ar įrankio negalima deginti ar kaitinti.** Bateriją deginant ar įkaitinus virš 130 °C ji gali sprogti.
 - **Laikykitės įrankio ar sudėtinės baterijos įkrovimo instrukcijų ir įkrovimą vykdykite nurodytame temperatūrų diapazone.** Priešingu atveju galite sugadinti sudėtinę bateriją ar net sukelti gaisrą.

TECHNINĖ PRIEŽIŪRA

- **Jūsų elektrinio įrankio techninės priežiūros darbus gali vykdyti tik kvalifikuotas remonto meistras, naudodamas tik identiškas atsargines dalis.** Taip bus užtikrinta, jog elektrinis įrankis išliks saugus.
- **Niekada neremontuokite sugadintos sudėtinės baterijos.** Tokias baterijas remontuoti gali tik gamintojas arba įgalioto techninės priežiūros centro specialistai.

ĮSPĖJIMAI DĖL GRANDININIO PJŪKLO SAUGOS

- **Kai grandininis pjūklas paleistas, atitraukite toliau nuo jo visas savo kūno dalis.** Prieš paleisdami grandininį pjūklą įsitikinkite, ar jis nieko neliečia. Neatidumo akimirka dirbant su grandininio pjūklų gali lemti aplinkybes, kuriomis grandinė įtraukia drabužį arba kūno dalį.
- **Grandininį pjūklą visada laikykite dešiniąja ranka suėmę už galinės rankenos, o kairiąja – už priekinės rankenos.** Laikant grandininį pjūklą atvirkščiai, padidėja pavojus susižaloti, todėl taip laikyti draudžiama.
- **Pjūklą laikykite paėmę tik už izoliuotų rankenų, nes pjūklo grandinė gali kliudyti paslėptus elektros laidus.** Grandinei prilietus laidą, kuriuo teka elektros srovė, elektros įrankio neizoliuotose metalinėse dalyse taip pat gali atsirasti srovė, ir operatorius gali patirti elektros smūgį.
- **Užsidėkite akių apsaugą.** Taip pat rekomenduojama naudoti ir kitas apsaugos priemones, pvz., klausos organų, galvos, rankų ir kojų. Apsirengę tinkamai apsauginiais drabužiais, sumažinsite susižalojimo pavojų nuo skreijančių šiukšlių ar pjūklo grandinės prisilietimo.
- **Nepjaukite su grandininio pjūklų įsilipe į medį, stovėdami ant kopėčių, stogo ar bet kokios nestabilios atamos.** Priešingu atveju galite sunkiai susižaloti.

- **Visada tvirtai stovėkite ir su grandininio pjūklų dirbkite tik tada, kai stovite ant stabilaus, tvirto ir lygaus paviršiaus.** Stovint ant slidaus arba nestabilaus paviršiaus, pvz., kopėčių, galima prarasti pusiausvyrą arba nesuvaldyti grandininio pjūklų.
- **Pjudami šaką būkite atsargūs, nes ji gali atšokti atgal.** Kai pašalinamas medienos plaušus veikiantis įtempimas, įtempta šaka gali atšokti ir atsitrenkti į operatorių ir (ar) išmušti grandininį pjūklą iš rankų.
- **Būkite itin atsargūs, kai pjaunate krūmus ir medelius.** Laibas stiebas gali įstrigti pjūklo grandinėje ir būti bloktas į jus arba sutrikdyti jūsų pusiausvyrą.
- **Išjungtą grandinį pjūklą neškite laikydami už priekinės rankenos ir atitraukę toliau nuo savęs. Kai gabenate grandininį pjūklą arba paliekate jį laikymo vietoje, visada uždėkite pjovimo juostas gaubtą.** Tinkamai naudojant grandininį pjūklą, sumažėja pavojus atsitiktinai paliesti judančią pjūklo grandinę.
- **Laikykitės nurodymų dėl tepimo, grandinės įtempimo ir priedų keitimo.** Netinkamai įtempta ar sutepta grandinė gali trūkti arba padidinti tikimybę, kad įvyks atatranka.
- **Rankenos turi būti sausas, švarios ir nesuteptos alyva arba tepalu.** Tepalu ar alyva suteptos rankenos yra slidžios, todėl galite nesuvaldyti įrankio.
- **Pjunkite tik medieną. Nenaudokite pjūklo ne pagal paskirtį.** Pavyzdžiui, grandininis pjūklų nepjunkite plastiko, mūro arba statybinių medžiagų, pagamintų ne iš medienos. Naudojant grandininį pjūklą ne pagal numatytąją paskirtį, gali susidaryti pavojinga situacija.
- **Nebandykite leisti medžio, kol nesuprasite gresiančių pavojų ir nežinosite priemonių jiems išvengti.** Leisdami medį galite sunkiai susižaloti patys arba sužaloti šalia esančius asmenis.

LT

ATATRANKOS PRIEŽASTYS IR KAIP OPERATORIUI JŲ IŠVENGTI

Atatranka gali įvykti, kai pjovimo juostos viršūnė paliečia kliūtį arba kai medienos įpjovos plyšys susiglaudžia ir suspaudžia pjūklo grandinę (A pav.).

Prilietus su viršūne, gali įvykti staigi atgalinė reakcija: pjovimo juosta dėl atatrankos atšoka aukštin ir atgal į operatorių (B pav.).

Kai pjūklo grandinė suspaudžiama pjovimo juostos viršuje, pjovimo juosta gali būti staiga bloktą atgal, operatoriaus link (C pav.).

Dėl bet kurios iš šių reakcijų galima nesuvaldyti pjūklo ir sunkiai susižaloti. Nepasikliaukite vien tik pjūkle sumontuotais saugos įtaisais.

Kaip grandininio pjūklo naudotojas, turite imtis reikiamų

priemonių, kad pjovimo darbai vyktų be nelaimingų atsitikimų ir sužalojimų.

Atatranka vyksta netinkamai naudojant įrankį ir (ar) dėl netinkamų darbinų procedūrų arba sąlygų. Jos galima išvengti imantis toliau nurodytų atsargumo priemonių.

- **Tvirtai laikykite abiem rankomis, nykščiais ir kitais pirštais apimdami grandininio pjūklo rankenas. Kūno ir rankų padėtis turi būti tokia, kad atlaikytumėte atatranks jėgas (D pav.).** Imdamasis tinkamų atsargumo priemonių, operatorius gali suvaldyti atatranks jėgas. Nepalieskite grandininio pjūklo.
- **Nepraraskite pusiausvyros siekdami per toli ir nepjunkite aukščiau pečių.** Taip lengviau išvengti atsitiktinio prilietimo su viršūne ir lengviau suvaldyti grandininį pjūklą netikėtose situacijose.
- **Naudokite tik gamintojo nurodytas atsargines pjovimo juostas ir grandines.** Naudojant netinkamas atsargines pjovimo juostas ir grandines, gali nutrūkti grandinė ir (ar) įvykti atatranka.
- **Laikykitės gamintojo pateiktų nurodymų dėl grandininio pjūklo galandimo ir techninės priežiūros.** Sumažinus pjovimo gylio ribotuvo aukštį, gali padidėti atatranka.
- **Įsitikinkite, ar vietoje, kurioje pjaunate, nėra kliūčių.** Neleiskite pjovimo juostos viršūnei priliesti rąsto, šakos, tvoros arba kitokios kliūtis, su kuria galite susidurti naudodami pjūklą.
- **Visada pjaukite paleidę įrankį didžiausiu greičiu.** Iki galo nuspauskite gaiduką ir išlaikykite vienodą pjovimo greitį.
- **Suprasdami atatranks priežastis, galite sumažinti arba pašalinti netikėtumo elementą.** Visiškas netikėtumas gali lemti nelaimingą atsitikimą.
- **Visada stovėkite tvirtai ir išlaikykite pusiausvyrą.**
- **Stūmimas ir traukimas – reakcijos jėga visada yra priešinga grandinės judėjimo kryptčiai sąlyčio su mediena vietoje.** Todėl operatorius turi būti pasiruošęs suvaldyti TRAUKIMĄ, kai pjaunama apatine pjovimo juostos dalimi, ir STŪMIMĄ, kai pjaunama viršutine juostos dalimi (E pav.).

APSAUGOS NUO ATATRANKOS ĮTAISAI ŠIAME GRANDININIAME PJŪKLE

GRANDINĖS STABDYS

Grandininiam pjūkle įtaisytas grandinės stabdys, kuris sustabdo variklį ir grandinės judėjimą įvykus atatrankai. Grandinės stabdį gali įjungti grandinės atatranks stabdymo rankenos judėjimas pirmyn, kai pjūklas dėl atatranks sukasi atgal. Jį taip pat gali įjungti inercijos jėgos, susidaranti dėl staigaus stūmimo atgal.

⚠️ ĮSPĖJIMAS: Niekada nemodifikuokite ir nebandykite atjungti grandinės stabdžio.

Prieš pradėdami dirbti su grandininio pjūkle patikrinkite, ar grandinės stabdys tinkamai veikia. Grandinės atatranks stabdymo rankena turi laisvai judėti pirmyn ir atgal.

- Norėdami patikrinti grandinės stabdžio veikimą, atlikite toliau nurodytus veiksmus (F pav.).
- Padėkite grandininį pjūklą ant lygaus tuščio paviršiaus ir įsitikinkite, ar netoliese nėra jokių daiktų arba kliūčių, kurias pjovimo juosta ir grandinė galėtų paliesti.
- Atjunkite grandinės stabdį, patraukdami grandinės atatranks stabdymo rankeną priekinės rankenos link.
- Paleiskite grandininį pjūklą.
- Grandinės atatranks stabdymo rankeną pastumkite pjūklo priekio link. Tinkamai veikiantis rankinis stabdys iš karto sustabdo grandinės judėjimą. Jei grandinės stabdys veikia netinkamai, nenaudokite grandininio pjūklo tol, kol jo nesutaisys kvalifikuotas techninės priežiūros specialistas.

F-1	Grandinės atatranks stabdymo rankena darbinėje padėtyje
F-2	Grandinės atatranks stabdymo rankena stabdymo padėtyje

⚠️ ĮSPĖJIMAS: Kaskart prieš naudodami patikrinkite, ar grandinės stabdys tinkamai veikia.

⚠️ ĮSPĖJIMAS: Jei grandinės stabdys apsinėšė medienos skiedromis, jis gali prasčiau veikti. Pasirūpinkite, kad įrankis visada būtų švarus.

NUO ATATRANKOS SAUGANTI PJŪKLO GRANDINĖ

Pjovimo gylio ribotuvai, esantys kiekvieno pjaunanciojo narelio priekyje, gali sumažinti atatranks reakcijos jėgą, neleidžiami pjaunantiesiems nareliams per giliai įlįsti atatranks srityje. Grandinę keiskite tik originalia arba sertifikuota atsargine grandine.

⚠️ DĖMESIO: Pjūklo grandinės galandamos per visą jų naudojimo laikotarpį, todėl jos praranda dalį apsaugos nuo atatranks savybių. Dėl šios priežasties reikia imtis papildomų atsargumo priemonių.

PAPILDOMI ĮSPĖJIMAI

- Grandininis pjūklas skirtas laikyti abiem rankomis. Laikant viena ranka, gali sunkiai susižaloti operatorius, pagalbininkai ir (ar) pašaliniai asmenys.

- Saugokitės, kad atsitiktinai neprisiliestumėte prie nejudančios pjūklo grandinės arba pjovimo juostos bėgelių. Jie gali būti labai aštrūs. Kai dirbate su pjūklu, tvarkote pjūklo grandinę arba pjovimo juostą, visada mūvėkite pirštines ir vilkėkite ilgas kelnes arba kojų apsaugas.
- Niekada nedirbkite su grandininio pjūklu, jei jis sugadintas, netinkamai sureguliuotas, ne visiškai arba nesaugiai surinktas. Patikrinkite, ar atleidus jungiklį pjūklo grandinė sustoja.
- Prieš pjaudami patikrinkite, ar ruošinyje nėra vinių, vielos ar kitų kliūčių.
- Kai pjaunate rąstus, pirmiausiai įtvirtinkite ruošinį. Kai verčiate medžius arba genite kamienus, raskite pavojingas šakas ir jas įtvirtinkite.
- Pernelyg energingai arba netinkamai pjaunant, netinkamai naudojant grandininį pjūklą, gali pirma laiko susidėvėti pjovimo juosta, grandinė ir (ar) žvaigždutė, taip pat gali trūkti grandinė arba lūžti pjovimo juosta, įvykti atatranka, gali būti išsviesta grandinė arba pjaunama medžiaga.
- Niekada nenaudokite pjovimo juostos kaip sverto. Įlenkus pjovimo juostą, gali pirma laiko susidėvėti pjovimo juosta, grandinė ir (ar) žvaigždutė, taip pat gali trūkti grandinė arba lūžti pjovimo juosta, įvykti atatranka, gali būti išsviesta grandinė arba pjaunama medžiaga.
- Pjaukite tik po vieną ruošinį.
- Nebandykite įkrauti sudėtinės baterijos lyjant lietuvi arba drėgnoje vietoje.
- Suplanuokite darbą ir įsitikinkite, ar darbo vietoje nėra kliūčių. Jei verčiate medį, numatykite bent vieną atsitraukimo kelią nuo virstančio medžio.
- Kai verčiate medžius, pašaliniais asmenimis liepkite būti už medžio aukštį bent du tris kartus didesniu atstumu.
- Susidariusi šioje instrukcijoje neaprašyti situacijai, būkite atsargūs ir vadovaukitės sveika nuovoka. Pagalbos kreipkitės į EGO klientų aptarnavimo tarnybą.

PJOVIMO JUOSTA

Šiame pjūklyje įtaisyta pjovimo juosta, kurios viršūnė yra mažo spindulio. Mažo spindulio viršūnės paprastai kelia mažesnę pavojų, kad įvyktų atatranka. Keisdami pjovimo juostą, užsisakykite šioje instrukcijoje nurodytą pjovimo juostą.

ĮŠSAUGOKITE ŠIĄ INSTRUKCIJĄ!

VISPĀRĒJIE ELEKTROINSTRUMENTA DROŠĪBAS BRĪDINĀJUMI

▲ BRĪDINĀJUMS! Izlasiet visus ar šo elektroinstrumentu saistītos drošības brīdinājumus, norādījumus, specifiskācijas un aplūkojiet attēlus. Visu turpmāk uzskaitīto norādījumu neievērošana var izraisīt elektriskās strāvas triecienu, aizdegšanos un/vai nopietnas traumas

SAGLABĀJIET VISUS BRĪDINĀJUMUS UN INSTRUKCIJAS TURPMĀKAI ATSAUCEI.

Brīdinājumus lietotais termins „elektroinstruments” attiecas uz elektriski darbināmu instrumentu, kura barošanu nodrošina elektrotīkls (ar elektrokabeļi) vai akumulators (bez elektrokabeļa).

DROŠĪBA DARBA ZONĀ

- **Uzturiet darba zonu tīru un labi apgaismotu.**
Nesakārtotā un slikti apgaismotā darba zonā var notikt nelaimes gadījumi.
- **Nedarbiniet elektroinstrumentu sprādzienbīstamā vidē, piemēram, viegli uzliesmojošu šķidrums, gāzu vai putekļu klātbūtnē.** Elektroinstrumenti rada dzirksteles, kas var aizdedzināt putekļus vai izgarojumu tvaikus.
- **Neļaujiet bērniem un klātesošajiem atrasties elektroinstrumenta tuvumā, kamēr tas darbojas.**
Apjukuma brīdī jūs varat zaudēt vadību pār instrumentu.

ELEKTRODROŠĪBA

- **Elektroinstrumenta kontaktdakšai jāsakrīt ar kontaktrozeti. Nekad nekādā veidā nepārveidojiet kontaktdakšu.** Neizmantojiet adaptera savienojumus kopā ar saņemtiem elektroinstrumentiem. Lietojot oriģinālo kontaktdakšu, kas pievienota atbilstoši tīkla kontaktrozetei, samazinās elektriskās strāvas trieciena risku.
- **Nepieskarieties saņemtajām virsmām, piemēram cauruļvadiem, radiatoriem, plītiem un ledusskapjiem.** Saņemoties Jūs palielināt elektriskās strāvas trieciena risku.
- **Sargājiet elektroinstrumentus no lietus vai mitruma.** Mitruma iekļūšana elektroinstrumentā palielina elektriskās strāvas trieciena risku.
- **Nebojājiet strāvas vadu.** Nekad nelietojiet strāvas vadu elektroinstrumenta pārnēsāšanai, vilkšanai vai kontaktdakšas izvilkšanai no kontaktrozetes. **Sargājiet strāvas vadu no karstuma, eļļas, asām malām vai kustīgām daļām.** Bojāti vai samudzināti strāvas vadi palielina risku saņemt elektriskās strāvas triecienu.

- **Strādājot ar elektroinstrumentu ārpus telpām, nodrošiniet, lai arī izmantotie vadu pagarinātāji būtu piemēroti āra darbiem.** Āra darbiem paredzēta vadu pagarinātāja izmantošana samazina elektriskās strāvas trieciena risku.
- **Ja tomēr elektroinstrumenta darbināšana mitrā vidē ir neizbēgama, izmantojiet ar paliekošās strāvas iekārtu (RCD) aizsargātu avotu.** Izmantojot RCD, tiek samazināts elektriskās strāvas trieciena risks.

PERSONĪGĀ DROŠĪBA

- **Darbinot elektroinstrumentu, esiet modri, pievērsiet uzmanību tam, ko jūs darāt, un rīkojieties ar to saprātīgi. Nelietojiet elektroinstrumentu, ja esat noguris, atrodaties apreibinošo vielu vai alkohola iedarbībā vai lietojat medikamentus.** Pat viens mirklis neuzmanības elektroinstrumenta lietošanas laikā var kļūt par cēloni nopietnām traumām.
- **Izmantojiet individuālos aizsarglīdzekļus. Vienmēr valkājiet acu aizsarglīdzekļus.** Ja tiek lietots darba specifikai atbilstošs aizsargaprīkojums, piemēram, maska ar putekļu filtru, nesliidoši darba apavi, ķivere vai ausiņas, samazinās traumu gūšanas risku.
- **Novērsiet nejaušanas ieslēgšanās iespējāmību. Pirms instrumenta pievienošanas strāvas avotam un/vai akumulatoram pārliecinieties, vai slēdzis atrodas izslēgtā stāvoklī.** Pārnēsājot elektroinstrumentu ar pirkstu uz slēdža vai iedarbinot elektroinstrumentu, kas jau ir ieslēgtā stāvoklī, var notikt nelaimes gadījums.
- **Pirms elektroinstrumenta ieslēgšanas izņemiet visas noregulēšanas vai uzgriežņu atslēgas.** Regulēšanas instruments vai atslēga, kas palikusi elektroinstrumenta rotējošās daļās, var izraisīt traumas.
- **Nepārvērtējiet savas spējas. Ieņemiet pareizu stāju un vienmēr saglabājiet līdzsvaru.** Tādējādi jūs varēsiet labāk apvaldīt elektroinstrumentu negaidītās situācijās.
- **Valkājiet atbilstošu apģērbu. Nevalkājiet valģi apģērbu vai rotaslietas. Neļaujiet saviem matiem, apģērbam un cimdiem nonākt saskarē ar kustīgajām daļām.** Valģis apģērbs, rotaslietas vai gari mati var iekerties ierīces kustīgajās daļās.
- **Ja ierīces ir paredzētas savienošanai ar putekļu nosūkšanas un savākšanas iekārtām, pārliecinieties, vai tās ir pieslēgtas un tiek izmantotas pareizi.** Putekļu savākšanas iekārtu izmantošana var samazināt ar putekļiem saistītos apdraudējumus.
- **Nepieļaujiet, ka instrumentu bieža lietošana varētu izraisīt nevērigu attieksmi darbā ar tiem, un neignorējiet ar instrumenta lietošanu saistītos drošības principus.** Viens brīdis neuzmanības var izraisīt nopietnas traumas.

ELEKTROINSTRUMENTA LIETOŠANA UN APKOPE

- **Nespiediet elektroinstrumentu ar spēku. Lietojiet attiecīgajam darbam piemērotāko elektroinstrumentu.** Piemērots elektroinstrumenta labāk un drošāk spēš izpildīt veicamo darbu, darbojoties tam paredzētajā ātrumā.
- **Nelietojiet elektroinstrumentu, ja to nav iespējams ieslēgt un izslēgt ar slēdzi.** Ja elektroinstrumentu nav iespējams ieslēgt un izslēgt ar slēdzi, tas ir bīstams, tāpēc nekavējoties jāsalabo.
- **Pirms jebkādu pielāgojumu veikšanas, piederumu maiņas vai elektroinstrumenta novietošanas glabāšanā atvienojiet kontaktdakšu no barošanas avota un/vai izņemiet no elektroinstrumenta akumulatoru.** Šādi piesardzības pasākumi palīdzēs novērst nejašu elektroinstrumenta ieslēgšanu.
- **Ja elektroinstrumenti kādu laiku netiek lietoti, uzglabājiet tos bērniem nepieejamā vietā un neļaujiet ar elektroinstrumentu darboties personām, kas instrumentu nepārzina vai nav izlasījušas šīs instrukcijas.** Nemākulīgās rokās nonākuši elektroinstrumenti ir potenciāls briesmu avots.
- **Veiciet elektroinstrumentam un piederumiem apkopi.** Pārbaudiet, vai ir pareizi uzstādītas kustīgās daļas un vai tās neķeras, un vai elektroinstrumenta daļām nav bojājumu, kas var negatīvi ietekmēt tā darbību. Bojāts elektroinstrumenta ir jāsalabo pirms nākamās lietošanas reizes. Daudzu negadījumu cēlonis ir sliktā stāvoklī esošu elektroinstrumentu izmantošana.
- **Griezējinstrumentiem jābūt asiem un tīriem.** Rūpīgi kopti griezējinstrumenti retāk iestrēgst un ir vieglāk vadāmi.
- **Lietojiet elektroinstrumentu, tā piederumus un maināmos instrumentus, kā arī citus saistītos elementus atbilstoši šiem norādījumiem, ņemot vērā darba apstākļus un veicamo uzdevumu.** Elektroinstrumenta lietošana neparedzētiem mērķiem var radīt bīstamu situāciju.
- **Rokturiem un satveršanas daļām jābūt sausiem, tīriem un uz tiem nedrīkst būt eļļa vai smērviela.** Ja rokturi un satveršanas daļas ir mitras, tās slīdēs, un ar instrumentu vairs nebūs droši strādāt, kā arī apvaldīt neparedzētu apstākļu gadījumos.

AKUMULATORA LIETOŠANA UN APKOPE

- **Uzslēdziet ierīci tikai ar ražotāja noteikto lādētāju.** Lādētājs, kas paredzēts lietošanai tikai ar viena veida akumulatoru bloku, var radīt aizdegšanās draudus, ja to izmanto kopā ar citu akumulatoru bloku.
- **Lietojiet elektroinstrumentus kopā tikai ar tiem paredzētiem akumulatoru blokiem.** Jebkura cita akumulatoru bloka lietošana var radīt traumu gūšanas un aizdegšanās risku.

- **Kad akumulatoru bloks netiek izmantots, neglabājiet to citu metāla priekšmetu, piemēram, papīra saspraužu, monētu, atslēgu, naglu, skrūvju vai citu sīku metāla priekšmetu, kas var veidot savienojumu starp spailēm, tuvumā.** Akumulatora spaiļu īsslēgums var izraisīt aizdegšanos vai ugunsgrēku.
- **Nepareizas rīcības gadījumā no akumulatora var izteciēt šķidrums; izvairieties no saskares ar to. Ja tas nejausi nokļuvis uz ādas, noskalojiet ar ūdeni. Ja šķidrums iekļuvis acīs, nekavējoties meklējiet medicīnisko palīdzību.** No akumulatora izkļušais šķidrums var izraisīt kairinājumu vai apdegumus.
- **Nelietojiet bojātu vai pārveidotu akumulatoru bloku vai instrumentu.** Bojātu vai pārveidotu akumulatoru izmantošana var radīt neparedzamus apstākļus, kas rada aizdegšanās, sprādziena vai traumas gūšanas draudus.
- **Nepakļaujiet akumulatoru bloku vai instrumentu uguns liesmu vai pārmērīgas temperatūras iedarbībai.** Uguns liesmu iedarbība vai temperatūra virs 130 °C var izraisīt sprādzienu.
- **Izpildiet visas uzlādes instrukcijas un neuzlādējiet akumulatoru bloku vai instrumentu ārpus instrukcijās norādītajām temperatūras vērtībām.** Ja instruments tiek uzlādēts nepareizi vai tiek pārsniegtas instrukcijās norādītās uzlādes temperatūras vērtības, akumulators var sabojāties un palielināt aizdegšanās risku.

SERVISS

- **Elektroinstrumenta remontdarbus drīkst veikt tikai kvalificēts speciālists, izmantojot tikai oriģinālās rezerves daļas.** Tādējādi tiks garantēts elektroinstrumenta lietošanas drošums.
- **Nekad neveiciet bojātam akumulatoru blokam remontdarbus pašrocīgi.** Bojāta akumulatoru bloka remontdarbus drīkst veikt tikai ražotājs vai pilnvaroti servisa darbinieki.

ĶĒDES ZĀĢA DROŠĪBAS BRĪDINĀJUMI

- **Neļaujiet nevienai ķermeņa daļai nonākt saskarē ar zāģa ķēdi, kamēr ķēdes zāģis darbojas.** Pirms ķēdes zāģa iedarbināšanas pārliecinieties, ka zāģa ķēde ne ar ko nesaskaras. Tikai uz mirkli novērsot uzmanību ķēdes zāģa darbināšanas laikā, jūsu drēbes vai ķermeņa daļas var ieķerties ķēdē.
- **Vienmēr turiet ķēdes zāģi tā, lai labā roka turētu aizmugurējo rokturi, savukārt kreisā roka priekšējo rokturi.** Turot zāģa priekšējo rokturi ar labo roku un aizmugurējo ar kreiso roku, jūs palielināt ievainojumu gūšanas risku, un šādi zāģi nekad nevajadzētu turēt.

LV

- Turiet ķēdes zāģi tikai pie izolētajām satveršanas virsmām, jo zāģa ķēde var saskarties ar apslēptiem vadiem. Ar spriegumam pieslēgtu vadu saskarē nonākusi zāģa ķēde var radīt spriegumu elektroinstrumenta atklātajās metāla daļās un pakļaut operatoru elektriskās strāvas triecienam.
- Valkāt acu aizsarglīdzekļus. Tāpat ieteicams lietot galvas, roku, kāju un pēdu aizsarglīdzekļus. Atbilstoša aizsargapģērba valkāšana samazinās traumu gūšanas risku, ko rada lidojoši gruži vai nejausa saskare ar zāģa ķēdi.
- Neestrādājiet ar ķēdes zāģi, atrodoties kokā, stāvot uz kāpnēm, jumta vai uz kādas citas nestabilas pamatnes. Strādājot ar ķēdes zāģi šādā stāvoklī, var gūt smagas traumas.
- Vienmēr saglabājiet atbilstošu stāju un darbiniet ķēdes zāģi tikai, kad stāvat uz stabilas, drošas un līdzsvarotības pamatnes. Slidenas un nestabilas pamatnes, piemēram, kāpnes, var izraisīt līdzsvara un kontroles pār ķēdes zāģi zudumu.
- Zāģējot nospriegotu zaru, uzmanieties no tā atlēkšanas. Atbrīvojot koka šķīdrās uzkrāto saspringumu, nospriegotais zars var trāpīt operatoram un/vai likt zaudēt kontroli pār ķēdes zāģi.
- Esiet ļoti uzmanīgi, zāģējot krūmājus un jaunus kokus. Tievais materiāls var saskarties ar zāģa ķēdi un tā rezultātā triekties jūsu virzienā vai likt jums zaudēt līdzsvaru.
- Nesiet ķēdes zāģi, turot to aiz priekšējā roktura, ķēdes zāģim esot izslēgtā stāvoklī un vērstam projām no jūsu ķermeņa. Pirms ķēdes zāģa transportēšanas vai novietošanas glabāšanā vienmēr uzstādiet vadotnes sliedes pārsegu. Pareiza apiešanās ar ķēdes zāģi samazinās nejausas saskares iespējamību.
- Ievērojiet eļļošanas, ķēdes spriegošanas un piederumu maiņas norādījumus. Neatbilstoši nospriegota vai ieeļļota ķēde var salūzt vai palielināt atsitienu risku.
- Rokturiem jābūt sausiem, tīriem un uz tiem nedrīkst būt eļļa vai smērviela. Tūkaini, eļļaini rokturi ir slideni, kā rezultātā varat zaudēt vadību pār zāģi.
- Zāģējiet tikai kokmateriālus. Neizmantojiet ķēdes zāģi tam nepiemērotiem nolūkiem. Piemēram, neizmantojiet ķēdes zāģi plastmasas, akmens vai no koka neizstrādātu celtniecības materiālu zāģēšanai. Ķēdes zāģa lietošana neparedzētiem mērķiem var radīt bīstamas situācijas.
- Nemēģiniet nozāģēt koku, kamēr neesat izpratis visus ar to saistītos riskus, un kā no tiem izvairīties. Koka gāšanas laikā operators vai tuvumā esošas personas var gūt smagas traumas.

ATSITIENA CĒLOŅI UN OPERATORA AIZSARDŽĪBA

Atsitiens var rasties, kad zāģa vadotnes sliedes priekšējā daļa vai gals pieskaras priekšmetam vai kad zāģēšanas laikā koka griezuma vieta aizveras un saspiež zāģi. (A. attēls)

Vadotnes sliedes gala pieskaršanās dažkārt var izraisīt strauju pretreakciju, uzsitot zāģa sliedi uz augšu un atpakaļ operatora virzienā (B. attēls).

Zāģa ķēdes vadotnes sliedes gala saspiešanas rezultātā sliede var tikt strauji pagrūsta atpakaļ operatora virzienā (C. attēls).

Ikvienas šādas reakcijas rezultātā varat zaudēt vadību pār zāģi un gūt nopietnas traumas. Nepaļaujieties tikai uz jūsu zāģī iebūvētajām drošības ierīcēm.

Lai nodrošinātu, ka zāģēšanas laikā nenotiek negadījumi vai netiek gūti ievainojumi, jums, kā zāģa lietotājiem, ir jāveic vairākas papildu darbības.

Atsitiens rodas nepareizas instrumenta lietošanas un/vai nepareizu darba procedūru izpildes rezultātā, kā arī nepiemērotu darba apstākļu dēļ, taču to var novērst, īstenojot turpmāk norādītos drošības pasākumus.

- Stingri satveriet zāģi, ar rīkšļiem un pirkstiem aptverot ķēdes zāģa rokturus un abām rokām turot zāģi, kā arī novietojot ķermeni un rokas tādā pozīcijā, kas ļauj jums pretoties atsitienu spēkam (D. attēls). Zāģa operators var kontrolēt atsitienu spēku, ievērojot atbilstošos drošības pasākumus. Neatļaidiet ķēdes zāģi.
- Nestiepieties pārāk tālu un nezāģējiet augstāk par plecu augstumu. Tādējādi novērsīsiet nevēlamu gala saskaršanos un varēsiet labāk kontrolēt ķēdes zāģi neparedzētās situācijās.
- Izmantojiet tikai ražotāja norādītās rezerves sliedes un ķēdes. Neatbilstošu rezerves sliežu un ķēžu izmantošana var izraisīt ķēdes plīsumu un/vai atsitienu.
- Ievērojiet ražotāja norādījumu attiecībā uz zāģa ķēdes uzasināšanu un apkopi. Dziļummēra augstuma samazināšana var izraisīt spēcīgāku atsitienu.
- Pārlicinieties, ka zona, kurā veiksiet zāģēšanu, ir brīva no šķēršļiem. Neļaujiet vadotnes sliedes galam saskarties ar dēli, zaru, sētu vai jebkuru citu šķērslī, ar ko zāģis var nonākt saskarē darbības laikā.
- Vienmēr zāģējiet, ierīcei darbojoties pilnā ātrumā. Pilnībā saspiediet palāides mehānisma slēdzi un saglabājiet zāģēšanas ātrumu.
- Pamata zināšanas par atsitienu palīdzēs jums samazināt vai novērst pārsteiguma elementu. Negaidīti pārsteigumi veicina negadījumus.
- Ieņemiet pareizu stāju un vienmēr saglabājiet līdzsvaru.

- **Grūšana un vilkšana** – reakcijas spēks vienmēr ir pretējs ķēdes kustības virzienam, kad tā saskaras ar koku. Līdz ar to operatoram jābūt gatavam savaldīt VILKMES spēku, zāģējot ar sliedes apakšējo malu, un GRŪDIENA spēku, zāģējot ar augšējo malu (E. attēls).

ŠIM ĶĒDES ZĀĢIM UZSTĀDĪTĀS ATSITIENA AIZSARDZĪBAS IERĪCES

ĶĒDES BREMZE

Ķēdes zāģis ir aprīkots ar ķēdes bremzi, kas atsitienu gadījumā aptur gan dzinēju, gan ķēdes kustību. Ķēdes bremzi var aktivizēt, pabīdot uz priekšu ķēdes atsitienu bremzes rokturi, jo atsitienu laikā zāģis griežas pretējā virzienā, tāpat šo bremzi var aktivizēt arī iekšējie spēki, kas rodas strauja grūdienu uz aizmuguri rezultātā.

▲ BRĪDINĀJUMS! Nekad nepārveidojiet un necentieties atvienot ķēdes bremzi.

Pirms ķēdes zāģa lietošanas pārliecinieties, ka ķēdes bremze darbojas pareizi. Ķēdes atsitienu bremzes rokturim brīvi jāpārvietojas uz priekšu un aizmuguri.

- Lai pārbaudītu ķēdes bremzes darbību, rīkojieties šādi (F. attēls):
- novietojiet ķēdes zāģi uz līdzenas un atklātas virsmas un pārliecinieties, ka tuvumā neatrodas neviens priekšmets vai šķērslis, ar ko sliede vai ķēde varētu saskarties;
- atvienojiet ķēdes bremzi, pavelkot ķēdes atsitienu bremzes rokturi uz priekšējā roktura pusi;
- ieslēdziet ķēdes zāģi;
- pabīdīet ķēdes atsitienu bremzes rokturi zāģa priekšpusē virzienā. Ja ķēdes bremze darbojas pareizi, ķēdes kustība tiks nekavējoties apturēta. Ja ķēdes bremze nedarbojas pareizi, nelietojiet zāģi, kamēr to nav salabojis kvalificēts servisa tehniķis.

F-1	Ķēdes atsitienu bremzes rokturis darba stāvoklī
F-2	Ķēdes atsitienu bremzes rokturis bremzēšanas stāvoklī

▲ BRĪDINĀJUMS! Pirms katras lietošanas reizes pārliecinieties, ka ķēdes bremze darbojas pareizi.

▲ BRĪDINĀJUMS! Ja ķēdes bremze ir nosprostota ar koka skaidām, ķēdes bremzes darbība var pasliktināties. Vienmēr uzturiet instrumentu tīru.

ZEMA ATSITIENA ZĀĢA ĶĒDE

Nošķēlējzobi (dziļummēri) pirms katra griezēja var samazināt atsitienu ietekmes spēku, novēršot to, ka griezēji iegrimst

pārāk dziļi atsitienu zonā. Izmantojiet tikai tādas rezerves ķēdes, kas atbilst oriģinālajai ķēdei vai ir sertificētas.

▲ UZMANĪBU. Tā kā zāģa ķēdes savā kalpošanas laikā tiek uzasinātas, tās zaudē daļu no savām zema atsitienu īpašībām, tādej esiet ļoti uzmanīgi.

PAPILDU BRĪDINĀJUMI

- **Ķēdes zāģi paredzēti turēt ar abām rokām.** Darbinot ķēdes zāģi ar vienu roku gan operators, gan palīgi un citi apkārt esošie cilvēki var gūt smagus ievainojumus.
- **Izvaieties no nejaunas saskares ar stacionāro zāģa ķēdi vai vadotnes sliedes līnijām.** Tās var būt ļoti asas. Darbojoties ar ķēdes zāģi, tā ķēdi vai vadotnes sliedi, vienmēr valkājiet cimdus un garas bikses vai virsvalkus.
- **Nekad nedarbiniet ķēdes zāģi, kas ir bojāts vai neatbilstoši noregulēts, vai arī nav pilnībā un droši samontēts.** Pārliecinieties, ka zāģa ķēde pārtrauc kustēties, kad tiek atlaists palaišanas mehānisma slēdzis.
- **Pirms zāģēšanas pārbaudiet, vai zāģējamajā materiālā nav naglas, stieples vai citi svešķermeņi.**
- **Veicot sagarumošanu, pirms zāģēšanas nostipriniet apstrādājamo materiālu. Veicot koku gāšanu vai zaru apzāģēšanu, identificējiet un nostipriniet bistamus zarus.**
- **Agresīva vai nepareiza zāģēšana, kā arī ķēdes zāģa neatbilstoša lietošana var izraisīt sliedes, ķēdes un/ vai ķēzratu priekšlaicīgu nodilšanu, kā arī ķēdes vai sliedes bojājumus, kā rezultātā var rasties atsitiens, ķēdes sviediens vai materiāla izmešana.**
- **Nekad nelietojiet vadotnes sliedi kā sviru.** Saliekta vadotnes sliede var izraisīt sliedes, ķēdes un/vai ķēzratu priekšlaicīgu nodilšanu, kā arī ķēdes vai sliedes bojājumus, kā rezultātā var rasties atsitiens, ķēdes sviediens vai materiāla izmešana.
- **Vienlaicīgi zāģējiet tikai vienu vienību.**
- **Neuzlādējiet akumulatoru lietū vai mitrās vietās.**
- **Plānojiet darbu, attīriet darba vietu no šķēršļiem un, ja veicat koku gāšanu, nosakiet vismaz vienu atkāpšanās ceļu no krītošā koka.**
- **Gāzot kokus, nodrošiniet, ka citas personas atrodas vismaz divu līdz trīs gāzamā koka garumu attālumā.**
- **Ja gadās situācijas, kas nav aprakstītas šajā rokasgrāmatā, rīkojieties uzmanīgi un ļoti novērtējiet situāciju. Ja nepieciešama palīdzība, sazinieties ar EGO klientu apkalpošanas nodaļu.**



VADOTNES SLIEDE

Zāģis ir aprīkots ar vadotnes sliedi, kurai ir virsotne ar mazu rādiusu. Virsotnēm ar mazu rādiusu parasti ir mazāka atsitienu iespējamība. Mainot vadotnes sliedi, pasūtiet tieši tādu sliedi, kāda norādīta šajā rokasgrāmatā.

SAGLABĀJIET ŠOS NORĀDĪJUMUS!

LV

ΓΕΝΙΚΕΣ ΠΡΟΕΙΔΟΠΟΙΗΣΕΙΣ ΑΣΦΑΛΕΙΑΣ ΓΙΑ ΤΑ ΗΛΕΚΤΡΙΚΑ ΕΡΓΑΛΕΙΑ

▲ ΠΡΟΕΙΔΟΠΟΙΗΣΗ: Μελετήστε όλες τις προειδοποιήσεις ασφάλειας, τις οδηγίες, τις εικόνες και τις προδιαγραφές που συνοδεύουν αυτό το ηλεκτρικό εργαλείο. Εάν δεν τηρηθούν όλες οι οδηγίες που αναφέρονται παρακάτω, μπορεί να προκληθεί ηλεκτροπληξία, φωτιά και/ή σοβαρός τραυματισμός.

ΦΥΛΑΞΤΕ ΟΛΕΣ ΤΙΣ ΠΡΟΕΙΔΟΠΟΙΗΣΕΙΣ ΚΑΙ ΤΙΣ ΟΔΗΓΙΕΣ ΓΙΑ ΜΕΛΛΟΝΤΙΚΗ ΑΝΑΦΟΡΑ.

Ο όρος «ηλεκτρικό εργαλείο» στις προειδοποιήσεις αναφέρεται στο ηλεκτρικό σας εργαλείο που λειτουργεί είτε με σύνδεση στην πρίζα (με καλώδιο) είτε με μπαταρίες (χωρίς καλώδιο).

ΑΣΦΑΛΕΙΑ ΣΤΟ ΧΩΡΟ ΕΡΓΑΣΙΑΣ

- Διατηρείτε την περιοχή εργασίας καθαρή και καλά φωτισμένη. Οι ακατάστατοι χώροι και οι χώροι με κακό φωτισμό ενισχύουν την πιθανότητα ατυχημάτων.
- Μη χρησιμοποιείτε ηλεκτρικά εργαλεία σε περιβάλλον με εύφλεκτη ατμόσφαιρα, όπως όταν υπάρχουν εύφλεκτα υγρά, αέρια ή σκόνη. Τα ηλεκτρικά εργαλεία δημιουργούν σπινθήρες που μπορεί να αναφλέξουν τη σκόνη ή τις αναθυμιάσεις.
- Κρατάτε τα παιδιά και τους παρευρισκόμενους μακριά, όταν χρησιμοποιείτε το ηλεκτρικό εργαλείο. Εάν κάτι αποσπάσει την προσοχή σας, μπορεί να χάσετε τον έλεγχο του εργαλείου.

ΗΛΕΚΤΡΙΚΗ ΑΣΦΑΛΕΙΑ

- Το φως του ηλεκτρικού εργαλείου πρέπει να ταιριάζει στην πρίζα. Μην τροποποιήσετε ποτέ και με κανέναν τρόπο το φως. Μη χρησιμοποιείτε κανενός είδους προσαρμογείς πριζών με ηλεκτρικά εργαλεία, τα οποία διαθέτουν προστατευτικό καλώδιο (γείωση). Τα μη τροποποιημένα φως και οι κατάλληλες πρίζες μειώνουν τον κίνδυνο ηλεκτροπληξίας.
- Αποφεύγετε την επαφή με γειωμένες επιφάνειες, όπως σωλήνες, θερμοκρατικά σώματα, εστίες και ψυγεία. Υπάρχει αυξημένος κίνδυνος ηλεκτροπληξίας όταν το σώμα σας είναι γειωμένο.
- Μην εκθέτετε τα ηλεκτρικά εργαλεία σε βροχή ή υγρασία. Εάν εισχωρήσει νερό στο ηλεκτρικό εργαλείο θα αυξηθεί ο κίνδυνος ηλεκτροπληξίας.
- Μην κακομεταχειρίζεστε το καλώδιο. Μη χρησιμοποιείτε ποτέ το καλώδιο για να μεταφέρετε, να τραβήξετε ή να αποσυνδέσετε το ηλεκτρικό

εργαλείο από την πρίζα. Διατηρείτε το καλώδιο μακριά από θερμότητα, λάδια, αιχμηρές γωνίες ή κινούμενα εξαρτήματα. Τα κατεστραμμένα ή μπλεγμένα καλώδια αυξάνουν τον κίνδυνο ηλεκτροπληξίας.

- Όταν χρησιμοποιείτε ένα ηλεκτρικό εργαλείο σε εξωτερικό χώρο, χρησιμοποιείτε καλώδιο προέκτασης κατάλληλο για χρήση σε εξωτερικό χώρο. Τα καλώδια που είναι κατάλληλα για εξωτερικό χώρο περιορίζουν τον κίνδυνο ηλεκτροπληξίας.
- Αν δεν μπορείτε να αποφύγετε τη χρήση του ηλεκτρικού εργαλείου σε χώρο με υγρασία, χρησιμοποιήστε πρίζα με ρελέ διαφυγής (GFCI). Το ρελέ διαφυγής περιορίζει τον κίνδυνο ηλεκτροπληξίας.

ΠΡΟΣΩΠΙΚΗ ΑΣΦΑΛΕΙΑ

- Να βρίσκεστε πάντα σε εγρήγορση, να προσέχετε τι κάνετε και να εφαρμόζετε κοινή λογική όταν χρησιμοποιείτε ηλεκτρικά εργαλεία. Μη χρησιμοποιείτε ηλεκτρικά εργαλεία όταν είστε κουρασμένοι ή υπό την επήρεια ναρκωτικών, αλκοόλ ή φαρμάκων. Όταν χρησιμοποιείτε ηλεκτρικά εργαλεία, μια στιγμή απροσεξίας μπορεί να προκαλέσει σοβαρό τραυματισμό.
- Χρησιμοποιείτε μέσα ατομικής προστασίας. Φοράτε πάντα προστατευτικά για τα μάτια. Η χρήση των κατάλληλων μέσων ατομικής προστασίας, όπως, μάσκα σκόνης, αντιολισθητικά παπούτσια ασφαλείας, κράνος ή υψοασπίδες, μειώνει τον κίνδυνο τραυματισμού.
- Λαμβάνετε μέτρα για να μην ενεργοποιηθεί κατά λάθος το εργαλείο. Βεβαιώστε ότι ο διακόπτης βρίσκεται στη θέση απενεργοποίησης (OFF) προτού να συνδέσετε το ηλεκτρικό εργαλείο στο ρεύμα ή/και στη συστοιχία μπαταριών, ή όταν σηκώνετε ή μεταφέρετε το εργαλείο. Μη μεταφέρετε το ηλεκτρικό εργαλείο με το δάκτυλο πάνω στο διακόπτη και μη βάζετε το ηλεκτρικό εργαλείο στην πρίζα με ανοικτό το διακόπτη, διότι αυξάνεται ο κίνδυνος ατυχήματος.
- Προτού να ενεργοποιήσετε το ηλεκτρικό εργαλείο, αφαιρέστε οποιοδήποτε εργαλείο ρύθμισης ή κλειδί. Αν το εργαλείο ρύθμισης ή το κλειδί παραμείνει συνδεδεμένο στο περιστρεφόμενο εξάρτημα του ηλεκτρικού εργαλείου, μπορεί να προκληθεί τραυματισμός.
- Μην τεντώνετε υπερβολικά για να πραγματοποιήσετε την εργασία. Πατάτε πάντα σταθερά και διατηρείτε την ισορροπία σας. Έτσι θα ελέγχετε καλύτερα το ηλεκτρικό εργαλείο σε περίπτωση απροσδόκων καταστάσεων.

GR

- **Φοράτε κατάλληλα ρούχα. Μη φοράτε φαριδιά ρούχα ή κοσμήματα. Κρατήστε τα μαλλιά, τα ρούχα και τα γάντια σας μακριά από κινούμενα μέρη.** Χαλαρά ρούχα, κοσμήματα ή μακριά μαλλιά μπορεί να πιαστούν στα κινούμενα μέρη.
- **Αν υπάρχει δυνατότητα σύνδεσης συσκευών απομάκρυνσης και συλλογής της σκόνης, βεβαιωθείτε ότι αυτές οι συσκευές έχουν συνδεθεί και χρησιμοποιούνται σωστά.** Η χρήση συσκευών συλλογής σκόνης μπορεί να μειώσει τους κινδύνους που σχετίζονται με αυτή.
- **Ακόμα κι εάν χρησιμοποιείτε συχνά ηλεκτρικά εργαλεία, μην εφησυχάζετε και μην παραβλέπετε τους βασικούς κανόνες ασφαλείας.** Μια στιγμή απροσεξίας μπορεί να οδηγήσει σε σοβαρό τραυματισμό.
- **Διατηρείτε τα κοπτικά εξαρτήματα αιχμηρά και καθαρά.** Τα κοπτικά εργαλεία που έχουν συντηρηθεί σωστά και διαθέτουν αιχμηρές κόψεις είναι λιγότερο πιθανό να μπλοκάρουν, ενώ είναι ευκολότερα στο χειρισμό.
- **Χρησιμοποιείτε το ηλεκτρικό εργαλείο, τα εξαρτήματα, τις μύτες κλπ. σύμφωνα με αυτές τις οδηγίες, λαμβάνοντας υπόψη τις συνθήκες εργασίας και την προς εκτέλεση εργασία.** Η χρήση ενός ηλεκτρικού εργαλείου για λειτουργίες διαφορετικές από αυτές για τις οποίες προορίζεται είναι πιθανόν να οδηγήσει σε επικίνδυνες καταστάσεις.
- **Διατηρείτε τις λαβές και τις επιφάνειες συγκράτησης του εργαλείου στεγνές και καθαρές, χωρίς λάδια και γράσα.** Οι ολισθηρές λαβές και επιφάνειες συγκράτησης μπορούν να οδηγήσουν σε μη ασφαλή χειρισμό και/ή σε απώλεια ελέγχου του εργαλείου.

ΧΡΗΣΗ ΚΑΙ ΦΡΟΝΤΙΔΑ ΤΟΥ ΗΛΕΚΤΡΙΚΟΥ ΕΡΓΑΛΕΙΟΥ

- **Μη ζορίζετε το ηλεκτρικό εργαλείο. Χρησιμοποιήστε το κατάλληλο ηλεκτρικό εργαλείο για την εκάστοτε εργασία.** Η εργασία θα πραγματοποιηθεί καλύτερα και ασφαλέστερα εάν χρησιμοποιηθεί το κατάλληλο ηλεκτρικό εργαλείο και στην ταχύτητα για την οποία έχει σχεδιαστεί.
- **Μη χρησιμοποιήσετε το ηλεκτρικό εργαλείο εάν δεν μπορείτε να το ενεργοποιήσετε και να το απενεργοποιήσετε από τον διακόπτη.** Κάθε ηλεκτρικό εργαλείο που δεν ελέγχεται από το διακόπτη είναι επικίνδυνο και απαιτεί επισκευή.
- **Αποσυνδέετε το φις από την πρίζα ή/και αφαιρείτε την μπαταρία πριν κάνετε οποιαδήποτε ρύθμιση, αλλάξετε εξαρτήματα ή αποθηκεύσετε το ηλεκτρικό εργαλείο.** Με αυτόν τον τρόπο, περιορίζεται ο κίνδυνος να ενεργοποιηθεί κατά λάθος το ηλεκτρικό εργαλείο.
- **Αποθηκεύετε τα ηλεκτρικά εργαλεία που δεν χρησιμοποιείτε σε μέρος όπου δεν πλησιάζουν παιδιά και μην αφήνετε να χρησιμοποιηθούν από άτομα που δεν είναι εξοικειωμένα με αυτά ή με τις οδηγίες τους.** Τα ηλεκτρικά εργαλεία είναι επικίνδυνα στα χέρια απόμων που δεν έχουν εκπαιδευτεί στη χρήση τους.
- **Συντηρείτε σωστά τα ηλεκτρικά εργαλεία και τα βοηθητικά τους εξαρτήματα.** Ελέγχετε για κακή ευθυγράμμιση ή εμπλοκή των κινούμενων εξαρτημάτων, για σπασμένα εξαρτήματα και για κάθε άλλη κατάσταση που μπορεί να επηρεάσει τη λειτουργία του ηλεκτρικού εργαλείου. Εάν υποστεί ζημιά το ηλεκτρικό εργαλείο, επισκεύαστε το προτού να το χρησιμοποιήσετε. Πολλά ατυχήματα οφείλονται σε πλημμελώς συντηρημένα ηλεκτρικά εργαλεία.

ΧΡΗΣΗ ΚΑΙ ΦΡΟΝΤΙΔΑ ΤΟΥ ΕΡΓΑΛΕΙΟΥ ΜΕ ΜΠΑΤΑΡΙΑ

- **Επαναφορτίζετε το εργαλείο μόνο με τον φορτιστή που ορίζεται από τον κατασκευαστή.** Οι φορτιστές που είναι κατάλληλοι για κάποιο συγκεκριμένο τύπο συστοιχίας μπαταριών μπορεί να προκαλέσουν πυρκαγιά εάν χρησιμοποιηθούν με άλλο τύπο.
- **Χρησιμοποιήστε το ηλεκτρικό εργαλείο μόνο με τη συγκεκριμένη συστοιχία μπαταριών που προορίζεται για αυτό.** Εάν χρησιμοποιηθεί οποιαδήποτε άλλη συστοιχία μπαταριών, μπορεί να προκληθεί τραυματισμός και πυρκαγιά.
- **Όταν η συστοιχία μπαταριών δε χρησιμοποιείται, φυλάσσετε τη μακριά από μεταλλικά αντικείμενα όπως συνδετήρες, νομίσματα, κλειδιά, καρφιά, βίδες ή άλλα μικρά μεταλλικά αντικείμενα, τα οποία μπορεί να δημιουργήσουν σύνδεση μεταξύ των ακροδεκτών.** Το βραχυκύκλωμα των ακροδεκτών της συστοιχίας μπαταριών μεταξύ τους ενδέχεται να προκαλέσει έγκαυμα ή πυρκαγιά. Το βραχυκύκλωμα των πόλων της μπαταρίας μπορεί να προκαλέσει εγκαύματα ή φωτιά.
- **Σε συνθήκες κακής χρήσης, μπορεί να διαρρεύσει υγρό από την μπαταρία. Μην το αγγίζετε. Σε περίπτωση τυχαιάς επαφής, ξεπλύνετε καλά με νερό. Αν το υγρό έρθει σε επαφή με τα μάτια, απευθυνθείτε επιπροσθέτως σε γιατρό.** Το υγρό που διαρρέει από τη συστοιχία μπαταριών μπορεί να προκαλέσει ερεθισμό ή εγκαύματα.
- **Μη χρησιμοποιείτε τη συστοιχία μπαταριών ή το εργαλείο εάν έχουν υποστεί ζημιά ή έχουν τροποποιηθεί.** Οι συστοιχίες μπαταριών που έχουν υποστεί ζημιά ή έχουν τροποποιηθεί μπορεί να έχουν απρόβλεπτη συμπεριφορά και να προκαλέσουν πυρκαγιά, έκρηξη ή τραυματισμό.

- Η συστοιχία μπαταριών και το εργαλείο δεν πρέπει να εκτίθενται σε φωτιά ή υπερβολικά υψηλή θερμοκρασία. Η έκθεση σε φωτιά ή θερμοκρασία πάνω από 130 °C μπορεί να προκαλέσει έκρηξη.
- Ακολουθείτε όλες τις οδηγίες σχετικά με τη φόρτιση και μη φορτίζετε τη συστοιχία μπαταριών ή το εργαλείο εκτός του εύρους θερμοκρασίας που αναφέρεται στις οδηγίες. Αν η φόρτιση δεν γίνει σωστά ή πραγματοποιηθεί σε θερμοκρασία εκτός του καθορισμένου εύρους, η συστοιχία μπαταριών μπορεί να υποστεί ζημιά και να αυξηθεί ο κίνδυνος πυρκαγιάς.
- Μη χρησιμοποιήσετε το αλυσοπρίοιο ενόσω βρίσκεστε επάνω σε δέντρο, σκάλα, στέγη ή οποιαδήποτε άλλη ασταθή υποστήριξη. Η λειτουργία του αλυσοπρίοιο με αυτόν τον τρόπο μπορεί να οδηγήσει σε σοβαρό τραυματισμό.
- Διατηρείτε πάντοτε καλό πάτημα και χρησιμοποιείτε το αλυσοπρίοιο μόνο, εφόσον στέκεστε σε σταθερό, ασφαλές και επίπεδο έδαφος. Οι ολισθηρές και ασταθείς επιφάνειες, όπως σκάλες, μπορούν να προκαλέσουν απώλεια ισορροπίας και απώλεια ελέγχου του αλυσοπρίοιο.

ΣΕΡΒΙΣ

- Το ηλεκτρικό εργαλείο πρέπει να επισκευάζεται μόνο από πιστοποιημένο επαγγελματία, χρησιμοποιώντας μόνο πανομοιότυπα ανταλλακτικά. Έτσι διασφαλίζεται η ασφαλής λειτουργία του ηλεκτρικού εργαλείου.
- Μην επιχειρήσετε να επισκευάσετε συστοιχία μπαταριών που έχει υποστεί ζημιά. Η συστοιχία μπαταριών πρέπει να επισκευάζεται μόνο από τον κατασκευαστή ή από εξουσιοδοτημένα κέντρα σέρβις.

ΠΡΟΕΙΔΟΠΟΙΗΣΕΙΣ ΑΣΦΑΛΕΙΑΣ ΓΙΑ ΑΛΥΣΟΠΡΙΟΝΑ

- Διατηρείτε όλα τα μέλη του σώματός σας μακριά από το αλυσοπρίοιο, όταν αυτό βρίσκεται σε λειτουργία. Πριν ενεργοποιήσετε το αλυσοπρίοιο, σιγουρευτείτε πως δεν βρίσκεται σε επαφή με κανένα αντικείμενο. Μια στιγμή απροσεξίας κατά τη χρήση αλυσοπρίοιοιων είναι πιθανό να προκαλέσει μπλοκάρισμα του ρουχισμού ή του σώματός σας στην αλυσίδα.
- Κρατάτε πάντοτε το αλυσοπρίοιο με το δεξί χέρι στην οπίσθια χειρολαβή και το αριστερό χέρι στην μπροστινή χειρολαβή. Το κράτημα του αλυσοπρίοιο με τα χέρια τοποθετημένα αντίθετα αυξάνει τον κίνδυνο τραυματισμού και δε θα πρέπει να πραγματοποιείται.
- Κρατάτε το αλυσοπρίοιο μόνο από τις μονωμένες επιφάνειες των χειρολαβών, αφού αυτό ενδέχεται να έλθει σε επαφή με κρυφές καλωδιώσεις. Η επαφή των αλυσίδων πριονιού με καλώδιο υπό τάση ενδέχεται να θέσει υπό τάση τα εκτεθειμένα μεταλλικά εξαρτήματα και, κατά συνέπεια, να προκαλέσει ηλεκτροπληξία στο χειριστή.
- Φοράτε προστατευτικά γυαλιά. Συνιστάται περαιτέρω προστατευτικός εξοπλισμός για την ακοή, το κεφάλι, τα χέρια, τους μηρούς και τα πόδια. Ο επαρκής προστατευτικός ρουχισμός θα μειώσει τον κίνδυνο τραυματισμού από εκσφενδονιζόμενα θραύσματα ή τυχαία επαφή με το αλυσοπρίοιο.
- Όταν κόβετε κλαδιά υπό τάση, λαμβάνετε υπόψη σας το τσίγκωμα προς τα πίσω. Μόλις η ένταση των ινών του ξύλου απελευθερωθεί, το κλαδί είναι πιθανό να χτυπήσει το χειριστή ή και να ρίξει το αλυσοπρίοιο και να το θέσει εκτός ελέγχου.
- Να είστε ιδιαίτερα προσεκτικοί κατά την κοπή κλαδιών και δενδρυλλίων. Το λεπτό υλικό είναι πιθανό να εγκλωβιστεί στην αλυσίδα του αλυσοπρίοιο και να εκσφενδονιστεί προς το μέρος σας ή να σας κάνει να χάσετε την ισορροπία σας.
- Μεταφέρετε το αλυσοπρίοιο κρατώντας το από την μπροστινή χειρολαβή, απενεργοποιημένο και μακριά από το σώμα σας. Όταν μεταφέρετε ή αποθηκεύετε το αλυσοπρίοιο, τοποθετείτε πάντοτε το κάλυμμα της οδηγικής μπάρας. Ο σωστός χειρισμός του αλυσοπρίοιο θα μειώσει την πιθανότητα τυχαίας επαφής με την κινούμενη αλυσίδα.
- Ακολουθείτε τις οδηγίες που αφορούν στη λίπανση, το τέντωμα της αλυσίδας και την αλλαγή εξαρτημάτων. Η κακώς τεντωμένη ή λιπασμένη αλυσίδα μπορεί είτε να σπάσει είτε να αυξήσει την πιθανότητα λακτίσματος.
- Διατηρείτε τις λαβές στεγνές, καθαρές και απομακρύνετε από αυτές τυχόν λάδια και γράσο. Οι ολισθηρές, λαδωμένες χειρολαβές γλιστρούν και προκαλούν απώλεια ελέγχου.
- Κόβετε μόνο ξύλο. Μη χρησιμοποιείτε το αλυσοπρίοιο για άλλες χρήσεις εκτός από τη σκοπούμενη. Για παράδειγμα: μη χρησιμοποιείτε το αλυσοπρίοιο για την κοπή πλαστικού, σκυροδέματος ή μη ξύλινων οικοδομικών υλικών. Η χρήση του αλυσοπρίοιο για λειτουργίες διαφορετικές από αυτές για τις οποίες προορίζεται είναι πιθανό να οδηγήσει σε επικίνδυνες καταστάσεις.
- Μην επιχειρήσετε να κόψετε δέντρο προτού να κατανοήσετε τους κινδύνους και τους τρόπους αποφυγής τους. Ενέχει κίνδυνο σοβαρού τραυματισμού για το χειριστή και παρευρισκόμενους κατά την κοπή δέντρου.

ΑΙΤΙΕΣ ΚΑΙ ΠΡΟΛΗΨΗ ΤΟΥ ΧΕΙΡΙΣΤΗ ΓΙΑ ΤΟ ΛΑΚΤΙΣΜΑ

Το λάκτισμα μπορεί να προκληθεί όταν η άκρη της οδηγητικής μπάρας ακουμπήσει κάποιο αντικείμενο ή όταν το ξύλο συγκλίνει και μαγκώνει την αλυσίδα στο σημείο κοπής (Εικ. Α).

Η επαφή της άκρης σε κάποιες περιπτώσεις είναι πιθανό να προκαλέσει αντίστροφη αντίδραση, ωθώντας την οδηγητική μπάρα επάνω και πίσω, προς το μέρος του χειριστή (Εικ. Β).

Το μάγκωμα της αλυσίδας κατά μήκος του επάνω μέρους της οδηγητικής μπάρας είναι πιθανό να στρώξει την οδηγητική μπάρα προς τα πίσω, προς το μέρος του χειριστή (Εικ. C).

Οποιοδήποτε από αυτές τις αντιδράσεις είναι πιθανό να προκαλέσει απώλεια ελέγχου του αλυσοπρίονου και κατά συνέπεια σοβαρό τραυματισμό. Μην επαναπαύεστε εξολοκλήρου στις διατάξεις ασφαλείας που υπάρχουν ενσωματωμένες στο αλυσοπρίονο.

Ως χειριστής του αλυσοπρίονου, υποχρεούστε να λάβετε επαρκή μέτρα για την αποφυγή ατυχημάτων και τραυματισμών.

Το λάκτισμα αποτελεί συνέπεια ενός εσφαλμένου ή ελλιπούς χειρισμού του αλυσοπρίονου και μπορεί να αποφευχθεί με τα κατάλληλα προληπτικά μέτρα, όπως αυτά, τα οποία περιγράφονται παρακάτω:

- **Κρατήστε καλά το πριόνι και με τα δύο σας χέρια και τοποθετήστε το σώμα και το μπράτσο σας με τέτοιο τρόπο, ώστε να αντισταθεί σε δυνάμεις λακτίσματος (Εικ. D).** Ο χειριστής μπορεί να ελέγξει τις δυνάμεις λακτίσματος, εφόσον έχουν ληφθεί τα κατάλληλα μέτρα. Μην αφήνετε το αλυσοπρίονο από τα χέρια σας.
- **Μην τεντώνεστε και μην κόβετε πάνω από το ύψος των ώμων σας.** Αυτό σας προφυλάσσει από τυχαία επαφή της άκρης και επιτρέπει τον καλύτερο έλεγχο σε απρόσμενες καταστάσεις.
- **Χρησιμοποιείτε αποκλειστικά ανταλλακτικές οδηγητικές μπάρες και αλυσίδες τις οποίες συνιστά ο κατασκευαστής.** Η λανθασμένη αντικατάσταση μπαρών και αλυσίδων μπορεί να προκαλέσει θραύση της αλυσίδας ή/και λάκτισμα.
- **Ακολουθείτε τις υποδείξεις του κατασκευαστή, όσον αφορά το ακόνισμα και τη συντήρηση του αλυσοπρίονου.** Η μείωση του ύψους του μετρητή βάθους μπορεί να αυξήσει τον κίνδυνο λακτίσματος.

- **Βεβαιώνεστε ότι η περιοχή στην οποία κόβετε είναι ελεύθερη από εμπόδια.** Μην επιτρέπετε η άκρη της οδηγητικής μπάρας να έρχεται σε επαφή με κορμούς, κλαδιά ή οποιοδήποτε άλλο εμπόδιο, το οποίο θα μπορούσε να χτυπηθεί ενώ χειρίζεστε το αλυσοπρίονο.
- **Κόβετε πάντα ενώ η μονάδα έχει πλήρη ταχύτητα.** Πιέστε εντελώς την σκανδάλη διακόπτη και διατηρήστε την ταχύτητα κοπής.
- **Με μια βασική γνώση του λακτίσματος μπορείτε να μειώσετε ή εξαλείψετε τον παράγοντα αιφνιδιασμού.** Ο ξαφνικός αιφνιδιασμός συνεισφέρει στην πρόκληση ατυχημάτων.
- **Πατάτε πάντα σταθερά και διατηρείτε την ισορροπία σας.**
- **Πίεση και ώθηση** – Η δύναμη αντίδρασης είναι πάντα αντίθετη προς την κατεύθυνση κίνησης της αλυσίδας όπου γίνεται επαφή με ξύλο. Συνεπώς ο χειριστής πρέπει να είναι έτοιμος να ελέγξει την ΕΛΞΗ κατά την κοπή στην κάτω ακμή της μπάρας και την ΩΘΗΣΗ όταν κόβει κατά μήκος της άνω άκρης (Εικ. E).

ΣΥΣΚΕΥΕΣ ΑΣΦΑΛΕΙΑΣ ΛΑΚΤΙΣΜΑΤΟΣ ΣΕ ΑΥΤΟ ΤΟ ΑΛΥΣΟΠΡΙΟΝΟ

ΦΡΕΝΟ ΑΛΥΣΙΔΑΣ

Το αλυσοπρίονο είναι εξοπλισμένο με ένα φρένο αλυσίδας το οποίο σταματάει τον κινητήρα και την κίνηση της αλυσίδας όταν συμβεί λάκτισμα. Το φρένο αλυσίδας μπορεί να ενεργοποιηθεί από την μπροστινή κίνηση της λαβής φρένου λακτίσματος αλυσίδας καθώς το πριόνι περιστρέφεται προς τα πίσω κατά το λάκτισμα. Επίσης μπορεί να ενεργοποιηθεί από τις δυνάμεις αδράνειας που δημιουργούνται κατά τη διάρκεια της γρήγορης κίνησης ώθησης προς τα πίσω.

▲ ΠΡΟΕΙΔΟΠΟΙΗΣΗ: Ποτέ μην τροποποιείτε ή προσπαθείτε να απενεργοποιείτε το φρένο αλυσίδας.

Εξασφαλίστε ότι το φρένο αλυσίδας λειτουργεί σωστά προτού χρησιμοποιήσετε το αλυσοπρίονο. Η λαβή φρένου λακτίσματος αλυσίδας πρέπει να κινείται πίσω και εμπρός άνετα.

- Για να ελέγξετε τη λειτουργία του φρένου αλυσίδας, διεξάγετε τα ακόλουθα βήματα (Εικ. F):
- Τοποθετήστε το αλυσοπρίονο επάνω σε μια επίπεδη άδεια επιφάνεια και εξασφαλίστε ότι δεν υπάρχουν κοντά αντικείμενα ή εμπόδια που θα μπορούσαν να έρθουν σε επαφή με την μπάρα και την αλυσίδα.
- Αποδεσμεύστε την αλυσίδα φρένου τραβώντας τη λαβή φρένου λακτίσματος αλυσίδας προς την μπροστινή λαβή.

- Εκκινήστε το αλυσοπρίονο.
- Ωθήστε τη λαβή φρένου λακτίσματος αλυσίδας προς το μπροστινό τμήμα της αλυσοπρίονου. Ένα φρένο που λειτουργεί σωστά θα σταματήσει αμέσως την κίνηση της αλυσίδας. Εάν το φρένο αλυσίδας δεν λειτουργεί σωστά, μη χρησιμοποιήσετε το αλυσοπρίονο, έως ότου επισκευαστεί από έναν εξειδικευμένο τεχνικό του σέρβις.

F-1	Λαβή φρένου λακτίσματος αλυσίδας σε θέση λειτουργίας
F-2	Λαβή φρένου λακτίσματος αλυσίδας σε θέση φρεναρίσματος

⚠ ΠΡΟΕΙΔΟΠΟΙΗΣΗ: Βεβαιώνετε πριν από κάθε χρήση ότι το φρένο αλυσίδας λειτουργεί σωστά.

⚠ ΠΡΟΕΙΔΟΠΟΙΗΣΗ: Εάν το φρένο αλυσίδας έχει μπλοκάρει από ροκανίδια, η λειτουργία του φρένου αλυσίδας μπορεί να επιδεινωθεί. Διατηρείτε πάντα τη συσκευή καθαρή.

ΑΛΥΣΙΔΑ ΧΑΜΗΛΟΥ ΛΑΚΤΙΣΜΑΤΟΣ

Οι ρυθμιστές βάθους κοπής μπροστά από κάθε κόφτη μπορούν να ελαχιστοποιήσουν τη δύναμη αντίδρασης λακτίσματος εμποδίζοντας τους κόφτες να σκάψουν πολύ βαθιά στη ζώνη λακτίσματος. Χρησιμοποιείτε μόνο αλυσίδες αντικατάστασης που αντιστοιχούν στη γνήσια αλυσίδα ή είναι πιστοποιημένες.

⚠ ΠΡΟΣΟΧΗ: Επειδή οι αλυσίδες ακονίζονται κατά τη διάρκεια ζωής τους, χάνουν κάποιες από τις ιδιότητες ποιότητας χαμηλού λακτίσματος γι' αυτό πρέπει να δίδεται ιδιαίτερη προσοχή.

ΕΠΙΠΡΟΣΘΕΤΕΣ ΠΡΟΕΙΔΟΠΟΙΗΣΕΙΣ

- Ένα αλυσοπρίονο προορίζεται για χρήση και με τα δύο χέρια. Από λειτουργία με το ένα χέρι μπορεί να προκύψει σοβαρός τραυματισμός στο χειριστή, στους βοηθούς ή/και στους παρευρισκόμενους.
- Αποφύγετε μη ηθελμένη επαφή με τη σταθερή αλυσίδα ή τις ράγες οδηγικής μπάρας. Αυτά μπορεί να είναι πολύ αιχμηρά. Φοράτε πάντα γάντια και μακριά παντελόνια ή προστασία ποδιών όταν χειρίζεστε το αλυσοπρίονο, την αλυσίδα ή την οδηγική μπάρα.

- Ποτέ μη χειρίζεστε ένα χαλασμένο, λάθος ρυθμισμένο αλυσοπρίονο, ή που δεν είναι πλήρως συναρμολογημένο με ασφάλεια. Σιγουρευτείτε πως το αλυσοπρίονο σταματά μόλις απελευθερώσετε τον διακόπτη σκανδάλης.
- Επιθεωρείτε το τεμάχιο επεξεργασίας για καρφιά, σύρματα ή άλλα ξένα αντικείμενα πριν την κοπή.
- Κατά τον τεμαχισμό ασφαλίστε το τεμάχιο επεξεργασίας πριν την κοπή. Όταν κόβετε δέντρο ή κλαδεύετε, προσδιορίζετε και ασφαλίστε τα επικίνδυνα κλαδιά.
- Επιθετική ή βίαιη κοπή ή εσφαλμένη χρήση του αλυσοπρίονου μπορεί να προκαλέσει πρόωρη φθορά της μπάρας, της αλυσίδας ή/και του οδοντωτού τροχού καθώς και στάσιμο της αλυσίδας ή της μπάρας με συνέπεια λακτίσμα, εκτόξευση της αλυσίδας ή του υλικού.
- Ποτέ μη χρησιμοποιείτε την οδηγική μπάρα σαν μοχλό. Μια λυγισμένη οδηγική μπάρα μπορεί να προκαλέσει πρόωρη φθορά της μπάρας, της αλυσίδας ή/και του οδοντωτού τροχού καθώς και στάσιμο της αλυσίδας ή της μπάρας με συνέπεια λακτίσμα, εκτόξευση της αλυσίδας ή του υλικού.
- Κόβετε μόνο ένα τεμάχιο επεξεργασίας κάθε φορά.
- Μη φορτίζετε τη μπαταρία στη βροχή ή σε υγρές τοποθεσίες.
- Προγραμματίζετε την εργασία διασφαλίζοντας ότι ο χώρος εργασίας δεν έχει εμπόδια και ότι σε περίπτωση τεμαχισμού, υπάρχει τουλάχιστον μια οδός διαφυγής από το δέντρο που θα πέσει.
- Όταν κόβετε δέντρο διατηρείτε τους παρευρισκόμενους μακριά τουλάχιστον στο μήκος δύο δέντρων.
- Εάν προκύψουν καταστάσεις που δεν καλύπτονται στο παρόν χειρίδιο, να είστε προσεκτικοί και να κρίνετε σωστά. Επικοινωνήστε με την εξυπηρέτηση πελατών της EGO για βοήθεια.

ΟΔΗΓΗΤΙΚΗ ΜΠΑΡΑ

Το πριόνι αυτό είναι εξοπλισμένο με μια οδηγική μπάρα που έχει μια μικρή ακτίνα μύτης. Οι μικρές ακτίνες μύτης έχουν γενικά λιγότερες πιθανότητες λακτίσματος. Όταν αντικαθιστάτε την οδηγική μπάρα, βεβαιώνετε ότι παραγγέλλετε τη μπάρα που αναφέρεται στο παρόν χειρίδιο.

ΦΥΛΑΞΤΕ ΑΥΤΕΣ ΤΙΣ ΟΔΗΓΙΕΣ!

GR

ELEKTRİKLİ ALETLER İÇİN GENEL GÜVENLİK UYARILARI

⚠ UYARI: Bu elektrikli alet ile birlikte verilen tüm güvenlik uyarılarını, talimatları, çizimleri ve teknik özellikleri okuyun. Aşağıdaki talimatların tamamına uyulmaması elektrik çarpması, yangın ve/veya ciddi yaralanma ile sonuçlanabilir.

TÜM UYARI VE TALİMATLARI GELECEKTE BAŞVURU AMACIYLA MUHAFAZA EDİN.

Uyarılarda geçen "elektrikli alet" terimi ile elektrik prizinden beslenen (kablolu) elektrikli alet veya şarjlı (kablolu) elektrikli alet kastedilmektedir.

ÇALIŞMA ALANI GÜVENLİĞİ

- Çalışma alanını temiz tutun ve yeterli aydınlatma sağlayın. Karışık veya karanlık alanlar kazalara yol açar.
- Elektrikli aletleri yanıcı sıvı, gaz veya toz içeren patlayıcı ortamlarda çalıştırmayın. Elektrikli aletten çıkan kıvılcıklar toz veya gazları tutuşturabilir.
- Çalışırken çocukları ve üçüncü şahısları elektrikli aletten uzak tutun. Dikkatinizin dağılması kontrolü kaybetmenize neden olabilir.

ELEKTRİK GÜVENLİĞİ

- Elektrikli aletin fişi prize uygun olmalıdır. Fiş üzerinde asla değişiklik yapmayın. Topraklı (topraklamalı) elektrikli aletler için herhangi bir adaptör fişi kullanmayın. Üzerinde değişiklik yapılmamış fişler ve uygun prizler elektrik çarpması tehlikesini azaltacaktır.
- Boru, radyatör, fırınlı ocak ve buzdolabı gibi topraklanmış yüzeylerle temastan kaçının. Vücudunuz toprakla temas ederse elektrik çarpması riski artar.
- Elektrikli aletleri yağmur veya ıslak ortamlara maruz bırakmayın. Elektrikli alet içine giren su, elektrik çarpması riskini artırır.
- Kabloyu hatalı kullanmayın. Kabloyu elektrikli aleti taşımak, çekmek veya prizden çıkarmak için kullanmayın. Kabloyu sıcaktan, yağdan, keskin kenarlardan veya hareketli parçalardan uzak tutun. Hasarlı veya birbirine dolaşmış kablolar elektrik çarpması riskini artırır.
- Bir elektrikli aleti açık havada kullanırken, uygun bir dış mekan uzatma kablosu kullanın. Dış mekan için uygun bir kablolu kullanılması elektrik çarpması riskini azaltır.
- Elektrikli aletin rutubetli bir ortamda kullanılması

gerekirse, kaçak akım rölesi bulunan bir şebeke kullanın. GFCI (toprak hata devre kesicisi) kullanımı elektrik çarpması riskini azaltır.

KİŞİSEL GÜVENLİK

- Elektrikli aletleri kullanırken daima dikkatli olun, yaptığınız işe yoğunlaşın ve sağduyulu davranın. Yorgunken, uyuşturucu, alkol veya ilaçlı bir tedavi etkisi altındayken elektrikli aleti kullanmayın. Elektrikli aletleri kullanırken bir anlık dikkatsizlik ciddi kişisel yaralanmayla sonuçlanabilir.
- Kişisel koruyucu ekipman kullanın. Daima koruyucu gözlük takın. Koşullara uygun toz maskesi, kaymaz emniyet ayakkabıları, kask veya işleme koruması vb. koruyucu ekipman kullanılması kişisel yaralanmaları azaltır.
- Yanlışlıkla çalıştırmaktan kaçının. Aleti güç kaynağına ve/veya aküye takmadan, havaya kaldırmadan veya taşımadan önce açma kapama düğmesinin kapalı olduğundan emin olun. Aleti, parmağınız açma kapama düğmesi üzerinde dururken taşımak veya alet açıkken fişi prize takmak kazalara davetiye çıkarır.
- Elektrikli aleti çalıştırmadan önce, herhangi bir alyen veya anahtar varsa çıkarın. Elektrikli aletin döner parçalarına takılı kalmış bir alyen veya anahtar kişisel yaralanmalara neden olabilir.
- Dengesiz bir duruşla çalışma yapmayın. Çalışma süresince ayaklarınızı sağlam basın ve dengenizi koruyun. Böyle yapılması, beklenmedik durumlarda elektrikli aletin daha iyi kontrol edilmesini sağlar.
- Uygun bir şekilde giyinin. Bol giysiler giymeyin veya takı takmayın. Saçlarınızı, elbiselerinizi ve eldivenlerinizi hareketli parçalardan uzak tutun. Bol giysiler, takılar veya uzun saçlar aletin hareketli parçalarına takılabilir.
- Toz toplayıcı cihaz bağlantıları ve toplama tesisleri olması durumunda, bu bağlantıların düzgün yapılmış ve kullanılıyor olduğundan emin olun. Toz tutucu cihazların kullanımı tozdan kaynaklanabilecek tehlikeleri azaltabilir.
- Aletlerin sık kullanılmasından kaynaklanan aşınmanın sizin boş vermenize ve aletin güvenlik prensiplerini görmezden gelmenize neden olmasına izin vermeyin. Dikkatsiz bir hareket, saniyenin binde birindeki bir sürede ağır yaralanmalara neden olabilir.

ELEKTRİKLİ ALET KULLANIMI VE BAKIMI

- Elektrikli aleti zorlamayın. Yaptığınız işe uygun elektrikli aleti kullanın. Doğru elektrikli alet, tasarımına uygun değerlerde kullanıldığında daha iyi ve daha güvenli çalışacaktır.

- **Açma kapama düğmesi çalışmıyorsa elektrikli aleti kullanmayın.** Açma kapama düğmesi ile kontrol edilemeyen bir elektrikli alet tehlikelidir ve onarılması gerekir.
- **Herhangi bir ayar işlemi, aksesuar değişimi veya elektrikli aletlerin saklanması öncesinde fişi prizden çekin ve/veya aküyü elektrikli aletten çıkarın.** Bu tür önleyici güvenlik önlemleri, elektrikli aletin yanlışlıkla çalışma riskini azaltacaktır.
- **Çalıştırılmayan elektrikli aletleri çocuklardan uzak tutun ve elektrikli aletin kullanımına veya bu talimatlara aşına olmayan kimselerin elektrikli aleti çalıştırmalarına izin vermeyin.** Elektrikli aletler eğitimsiz kullanıcıların elinde tehlikelidir.
- **Elektrikli aletlere ve aksesuarlara bakım yapın.** Hareketli parçaların kusursuz olarak işlev görüp görmediğini veya sıkışıp sıkışmadığını, parçaların hasarlı olup olmadığını ve elektrikli aletin çalışmasını etkileyebilecek diğer tüm koşulları kontrol edin. Elektrikli alet hasarlı ise, kullanmadan önce onarılmasını sağlayın. Kazaların çoğu, elektrikli alet bakımının yeterli şekilde yapılmamasından kaynaklanır.
- **Keskin aletleri keskin ve temiz tutun.** Keskin kesim kenarlarına sahip, bakımı yapılmış kesim aletleri daha az sorun çıkarır ve kontrolü kolaydır.
- **Elektrikli aleti, aksesuarlarını ve alet uçlarını vb. çalışma şartlarını ve yapılacak işi dikkate alarak bu talimatlara uygun şekilde kullanın.** Elektrikli aletin kullanım amacı dışındaki işlerde kullanılması tehlikeli durumlara neden olabilir.
- **Tutma saplarını ve kavrama yüzeylerini kuru, temiz, benzin ve yağdan uzak tutun.** Kaygan saplar ve kavrama yüzeyleri, güvenli olmayan kullanım ve/veya aletin kontrolünün kaybına yol açabilir.

AKÜYLE ÇALIŞAN ALETLERİNİN KULLANIMI VE BAKIMI

- **Sadece üretici tarafından belirtilen şarj cihazı ile şarj edin.** Bir akü için uygun olan şarj cihazı, başka bir akü ile kullanıldığında yangın riski oluşturabilir.
- **Elektrikli aletleri sadece özel olarak üretilmiş akülerle kullanın.** Başka akünün kullanımı yaralanma ve yangın tehlikesi oluşturabilir.
- **Akünün kullanımda olmadığı durumlarda aküyü ataş, bozuk para, anahtar, çivi, vida veya akü kutupları arasında kısa devre yapabilecek diğer metal nesnelere uzak tutun.** Akü kutuplarının kısa devre edilmesi yangın veya yanıklara neden olabilir.
- **Kötü şartlar altında aküden sıvı akışı olabilir; sıvı ile temas etmekten kaçının.** Yanlışlıkla temas edilirse, etkilenen bölgeyi su ile yıkayın. Sıvı göze temas

- ederse, ayrıca tıbbi yardım alın. Aküden akan sıvı tahriş veya yanıklara neden olabilir.
- **Aküyü veya aleti hasarlı veya üzerinde değişiklik yapılmış şekilde kullanmayın.** Hasarlı veya üzerinde değişiklik yapılmış aküler yangın, patlama veya yaralanma riskine neden olacak şekilde beklenmeyen davranışlar gösterebilir.
- **Aküyü veya aleti ateşe veya aşırı sıcaklıklara maruz bırakmayın.** Ateşe veya 130°C'nin üzerindeki sıcaklıklara maruz kalması patlamaya neden olabilir.
- **Tüm şarj talimatlarına uyun ve akü veya aleti talimatlarda belirtilen sıcaklık aralığının dışındaki sıcaklıklarda şarj etmeyin.** Hatalı veya belirtilen sıcaklık aralığının dışındaki sıcaklıklarda şarj etmek, aküye zarar verebilir ve yangın riskini artırır.

SERVİS

- **Elektrikli aletinizin bakımını, sadece orijinal yedek parça kullanan uzman bir tamirciye yaptırın.** Bu, elektrikli aletin emniyetinin korunmasını sağlayacaktır.
- **Asla hasarlı akülere bakım-onarım yapmayın.** Akülerin bakımı sadece üretici veya yetkili servisler tarafından yapılmalıdır.

ELEKTRİKLİ TESTERE GÜVENLİK UYARILARI

- **Elektrikli testere çalışırken tüm vücut azalarınızı testere zincirinden uzak tutun.** Elektrikli testereyi çalıştırmadan önce, testere zincirinin hiçbir şeyle temas etmediğinden emin olun. Elektrikli testere ile çalışırken bir anlık dikkatsizlik, elbisenizin veya vücudunuzun zincire dolanmasına neden olabilir.
- **Elektrikli testereyi daima sağ elinizle arka tutma sapından ve sol elinizle ön tutma sapından tutarak kullanın.** Sağ elinizle ön tutma sapından ve sol elinizle arka tutma sapından tutmanız kişisel yaralanma riskini artırır ve asla bu şekilde tutulmamalıdır.
- **Elektrikli testereyi sadece yalıtımlı kavrama yüzeylerinden tutun, aksi halde elektrikli testere gizli kablolara temas edebilir.** "Elektrikli" tellere elektrikli testerenin temas etmesi halinde elektrikli aletin açıkta parçaları da "elektrikli" hale gelebilir ve kullanıcıya elektrik çarpmasına sebep olabilir.
- **Göz koruması kullanın.** İşitme, baş, el, bacak ve ayaklar için de koruyucu ekipman kullanılmalı tavsiye edilir. Yeterli koruyucu koruma uçan artıklar veya kazara elektrikli testere ile temastan kaynaklanabilecek kişisel yaralanmaları azaltır.
- **Elektrikli testereyi bir merdivenden, çatıdan veya stabil olmayan herhangi bir destekle kullanmayın.** Elektrikli testerenin bu şekilde kullanılması ciddi kişisel yaralanmaya sebep olabilir.

TR

- **Çalışma süresince ayaklarınızı yere sağlam basın, elektrikli testereyi sadece sabit, güvenli ve düz bir zemin üzerinde çalıştırın.** Kaygan veya ayaklı merdiven gibi sağlam olmayan ortamlar dengenin veya elektrikli testere hakimiyetinin kaybedilmesine neden olabilir.
- **Gergin durumdaki bir ağaç dalını keserken geri sıçramaya karşı dikkatli olun.** Odun fiberlerindeki gerilim boşaldığında ağaç dalı yay etkisiyle operatöre çarpabilir ve/veya elektrikli testereyi kontrolden çıkarabilir.
- **Çalılık ve fidan keserken son derece dikkatli olun.** İnce parçalar testere zincirine takılabilir ve kırbaç etkisi yaratarak size çarpabilir ve dengeyi kaybetmenize neden olabilir.
- **Elektrikli testereyi kapalı konumda ve vücudunuzdan uzak olacak şekilde ön tutma sapından tutarak taşıyın.** Elektrikli testereyi taşıırken veya saklama sırasında pala kapağını mutlaka takın. Elektrikli testerenin doğru kullanımı, hareketli testere dişlisine yanlışlıkla temas etme olasılığını azaltır.
- **Yağlama, zincir gerginliği ve aksesuar değişimi ile ilgili verilen talimatları izleyin.** Gerginlik ayarı düzgün olmayan veya yetersiz yağlanmış bir zincir kopabilir veya geri tepme olasılığını artırabilir.
- **Tutma saplarını kuru, temiz, benzin ve yağdan uzak tutun.** Yağlı saplar kaygan olup kontrolün kaybedilmesine neden olabilir.
- **Sadece ağaç kesimi yapın.** Elektrikli testereyi kullanım amacı dışında kullanmayın. Örneğin: elektrikli testereyi plastik, tuğla-taş veya ahşap olmayan yapı malzemeleri için kullanmayın. Elektrikli testerenin kullanım amacı dışındaki işlerde kullanılması tehlikeli durumlara neden olabilir.
- **İçerdiği riskleri anlamadan ve nasıl kaçınılacağını öğrenmeden önce bir ağacı keserek devirmeye çalışmayın.** Ağaç devrilirken kullanıcı ve yakınında duranlar ciddi zarar görebilirler.

TR

GERİ TEPMENİN NEDENLERİ VE OPERATÖR TARAFINDAN ENGELLENMESİ

Geri tepme, pala burnu veya pala ucu bir nesneye dokunduğunda, kesim sırasında testere zincirine odun parçası takıldığında ve sıkıştığında meydana gelebilir (Şek. A).

Bazı durumlarda pala ucu teması ani ters tepkiye neden olabilir, pala ucunun havaya ve operatöre doğru geriye tepmesine yol açabilir (Şek. B).

Testere zincirinin pala ucunda sıkışması palanın ani olarak operatöre doğru itilmesine neden olabilir (Şek. C).

Bu geri tepmeler testere hakimiyetini kaybetmenize ve ciddi kişisel yaralanmalara neden olabilir. Sadece testere

üzerinde yer alan güvenlik aygıtlarına güvenmeyin.

Elektrikli testere kullanıcıları olarak, kesim işlerinizin kaza veya yaralanmalardan uzak olması için gerekli önlemleri almanız gerekir.

Geri tepme, aletin yanlış kullanılmasının ve/veya yanlış çalıştırma prosedür veya koşullarının bir sonucudur ve aşağıdaki önlemlerin alınması ile önlenebilir:

- **Başparmak ve diğer parmaklarınızla testere saplarını kavrayarak her iki elinizle testereyi sıkıca tutun, vücudunuzu ve kolunuzu geri tepme kuvvetine karşı koyacak şekilde konumlandırın (Şek. D).** Doğru önlemlerin alınmasıyla geri tepme kuvvetleri operatör tarafından kontrol edilebilir. Elektrikli testerenin kontrolden çıkmasına izin vermeyin.
- **Dengesiz bir duruşla çalışmayın ve omuz yüksekliğinin üzerinde kesim yapmayın.** Böylece istenmeden uç teması yapılması önlenir ve beklenmeyen durumlarda testerenin daha iyi kontrol edilmesine olanak sağlanır.
- **Daima üretici tarafından öngörülen yedek rayı ve testere zincirlerini kullanın.** Yanlış yedek raylar ve zincirler kopabilir ve/veya geri tepme oluşmasına neden olabilir.
- **Üreticinin testere zincirini bileme ve bakımı konusundaki talimatlarına uyun.** Çok düşük ayarlanan derinlik sınırlayıcılar, geri tepme olasılığını artırır.
- **Kesim yaptığınız alanda hiç bir engel bulunmadığından emin olun.** Testereyi kullanırken pala ucunun ağaç kütüğü, dal veya darbe oluşturabilecek diğer nesnelere temas etmesine izin vermeyin.
- **Kesim yaparken cihazı daima tam hızda çalıştırın.** Tetik düşmesine tam basın ve kesim hızını koruyun.
- **Geri tepme ile ilgili temel bilgilere sahip olarak beklenmedik anlarda oluşabilecek bu durumu azaltabilir veya ortadan kaldırebilirsiniz.** Ani sürprizler kazalara davetiye çıkarır.
- **Çalışma süresince ayaklarınızı sağlam basın ve dengeyi koruyun.**
- **İtme ve Çekme –** Tepkime gücü daima zincirin ahşapla temas ettiği yerdeki hareket yönünün tersi yönde olur. Dolayısıyla, operatör palanın alt kenarıyla kesim yaparken İTME işlevini, üst kenarı ile kesim yaparken ise ÇEKME işlevini kontrol etmeye hazır olmalıdır (Şek. E).

BU ZİNCİRLİ TESTEREDEN BULUNAN GERİ TEPME GÜVENLİK AYGITLARI

ZİNCİR FRENİ

Elinizdeki testere, geri tepme durumunda hem motoru hem de zincirin hareketini durduran bir zincir freni ile

donatılmıştır. Geri tepme sırasında testere geriye doğru döneceğinden, zincir frenini etkinleştirebilmek için zincir geri tepme fren kolu ileri doğru hareket ettirilir; ayrıca hızlıca geriye itilirken oluşan iç kuvvetler ile de etkinleştirilebilir.

⚠ UYARI: Asla zincir freninde değişiklik yapmayın veya devre dışı bırakmayın.

Elektrikli testereyi kullanmadan önce zincir freninin düzgün çalıştığından emin olun. Zincir geri tepme fren kolu kolayca ileri geri hareket ediyor olmalıdır.

- Zincir freninin çalışmasını test etmek için, aşağıdaki adımları uygulayın (Şek. F):
- Elektrikli testereyi düz bir yüzey üzerine yerleştirin, yakınlarda palaya ve zincire temas edebilecek herhangi bir nesne ve engel olmadığından emin olun.
- Zincir geri tepme fren kolunu ön kola doğru çekerek zincir frenini devreden çıkarın.
- Elektrikli testereyi çalıştırın.
- Zincir geri tepme fren kolunu testerenin ön kısmına doğru itin. El freni düzgün çalışıyorsa zincir hareketini hemen durduracaktır. Zincir freni düzgün çalışmıyorsa, yetkili bir servis teknisyeni tarafından onarılıncaya kadar elektrikli testereyi kullanmayın.

F-1	Zincir geri tepme fren kolu çalışma konumunda
F-2	Zincir geri tepme fren kolu fren konumunda

⚠ UYARI: Her kullanımdan önce zincir freninin düzgün çalıştığından emin olun.

⚠ UYARI: Zincir freni ahpşap parçalar nedeniyle tıkanmışsa, zincir freni düzgün çalışmayabilir. Cihazı daima temiz tutun.

DÜŞÜK GERİ TEPMELİ TESTERE ZİNCİRİ

Her bir kesicinin önündeki tırmıklar (derinlik ölçükleri), kesicilerin geri tepme bölgesinde çok derine girmelerini önleyerek geri tepme gücünü minimize edebilir. Sadece orijinal zincire eşdeğer olan veya onaylanmış bir yedek zincir kullanın.

⚠ DİKKAT: Kullanım ömürleri boyunca testere zincirleri bildikleri için, düşük geri tepme özelliğinin bir kısmını kaybeder ve daha fazla dikkat sarf edilmelidir.

EK GÜVENLİK UYARILARI

- Elektrikli testere iki elle kullanım için tasarlanmıştır. Tek elle kullanılması operatör, yardımcıları ve/veya çevrede bulunanlar için ciddi yaralanmalara neden olabilir.

- Sabit durumdaki testere zinciri veya pala raylarıyla kazara temastan kaçının. Bu parçalar çok keskin olabilir. Elektrikli testere, testere zinciri veya palayı kullanırken daima eldiven takın ve uzun pantolon veya koruyucu bot giyin.
- Elektrikli testereyi asla hasarlı, yanlış ayarlı veya tam ve güvenli şekilde monte edilmemiş durumdayken kullanmayın. Tetik bırakıldığında testere zincirinin durduğundan emin olun.
- Kesmeden önce iş parçasını çivilere, tellere veya diğer yabancı cisimlere karşı kontrol edin.
- Parçalara ayırırken, kesmeden önce iş parçasını sabitleyin. Ağaç kesimi veya budama yaparken, tehlikeli dalları belirleyin ve sabitleyin.
- Sert veya kötü kesim ya da elektrikli testerenin yanlış kullanımı pala, zincir ve/veya dişlinin erken yıpranmasına neden olur, ayrıca zincir veya palanın kırılmasına yol açarak geri tepmeye, zincirin atmasına veya malzemelerin fırlatılmasına neden olur.
- Palayı asla tutma kolu olarak kullanmayın. Eğilmiş durumdaki bir pala, zincirin, palanın ve/veya dişlinin erken yıpranmasına neden olur, ayrıca zincir veya palanın kırılmasına yol açarak geri tepmeye, zincirin atmasına veya malzemelerin fırlatılmasına neden olabilir.
- Bir defada sadece tek bir iş parçası kesin.
- Aküyü yağmurlu veya ıslak ortamlarda şarj etmeyin.
- Çalışmanızı planlayın, engelsiz bir çalışma alanı, ağaç kesimi yapılıyorsa ağaçtan kaçmak için en az bir kaçış yolu bulunmasını sağlayın.
- Ağaç kesimi yapılırken, üçüncü şahısların en az iki ağaç boyu uzaklıkta olmasını sağlayın.
- Bu kılavuzda yer alamayan durumlar meydana gelirse, dikkatli ve sađduyulu davranın. Yardım için EGO Müşteri Hizmetleri ile irtibata geçin.

PALA

Bu testere, küçük yarıçaplı burna sahip olan bir pala ile donatılmıştır. Küçük yarıçaplı burunların geri tepme potansiyelleri genellikle daha düşüktür. Palayı değiştirirken, bu kılavuzda listelenen palayı sipariş ettiğinizden emin olun.

BU TALİMATLARI SAKLAYIN!

TR

ÜLDISED ELEKTRITÖÖRIISTADE HOIATUSED

⚠ HOIATUS! Lugege läbi kõik elektritööriistaga kaasas olevad hoiatused, juhised, joonised ja andmed. Alltoodud juhiste eiramine võib põhjustada elektrilööki, tulekahju ja/või raskeid vigastusi.

SÄILITAGE HOIATUSED JA JUHISED HILISEMAKS KASUTUSEKS.

Hoiatustes kasutatud termin "elektritööriist" viitab voolu jõul (juhtmega) töötavale elektrilisele tööriistale või aku jõul töötavale (juhtmeta) elektrilisele tööriistale.

TÖÖPIIRKOHHA OHUTUS

- Tööpiirkond peab olema puhas ja hästi valgustatud. Segadus või valgustamata tööpiirkonnad võivad põhjustada õnnetusi.
- Ärge kasutage elektritööriistu plahvatusohtlikes keskkondades, näiteks kergesti süttivate vedelike, gaaside või tolmu läheduses. Elektritööriistad tekitavad sädemeid, mis võivad süüdata tolmu või aursid.
- Elektritööriistadega töötamisel hoidke lapsed ja kõrvalseisjad eemal. Tähelepanu hajumine võib põhjustada seadme üle kontrolli kaotamise.

ELEKTRILINE OHUTUS

- Elektritööriistad tuleb ühendada sobivasse pistikupesasse. Ärge kunagi muutke pistikut mitte mingil viisil. Ärge kasutage maandatud elektriliste tööriistadega mistahes üleminekuadaptereid. Muutmata pistikute ja sobivate pistikupesade kasutamine vähendab elektrilöögi ohtu.
- Vältige kehalist kontakti maandatud pindadega (nt torud, radiaatorid, katted, külmikud). Kui teie keha on maandatud, suureneb elektrilöögi oht.
- Ärge jätke elektrilisi tööriistu vihma kätte ega niisketesse tingimustesse. Vee sattumine elektrilise tööriista sisse suurendab elektrilöögi ohtu.
- Ärge rikkuge juhet. Ärge kasutage juhet elektritööriista kandmiseks või tõmbamiseks ja ärge tõmmake juhtmest, kui soovite pistikut pistikupesast eemaldada. Vältige juhtme kokkupuudet kuumade objektide, õli, teravate äärte või liikuvate osadega. Kahjustatud või puntras juhe suurendab elektrilöögi ohtu.
- Elektritööriistaga välitingimustes töötamiseks kasutage välitingimustesse sobivat pikendusjuhet. Välitingimustesse sobiva juhtme kasutamine vähendab elektrilöögi ohtu.
- Kui peate kindlasti tööriista märke kohas kasutama, kasutage seadet, millel on maandusrikke katkestus. Selle reegli järgimine vähendab elektrilöögi ohtu.

ISIKLIK OHUTUS

- Olge tähelepanelik, töötage hoolikalt ja rakendage tervet mõistust. Ärge kasutage elektritööriista, kui olete väsinud, või ravimite, alkoholi või narkootikumide mõju all. Vaid hetkeline tähelepanematus elektritööriista kasutamisel võib põhjustada raskeid kehavigastusi.
- Kasutage isikukaitsevahendeid. Kandke alati silmakaitsevahendeid. Töötingimustele vastava kaitsevarustuse (nt tolumaski, mittelibisevate turvajalanõude, kiivri või kuulmiskaitsevahendite) kasutamine vähendab kehavigastuste ohtu.
- Ennetage tööriista tahtmatut käivitamist. Enne tööriista vooluvõrgu ja/või akuplokiga ühendamist ning enne tööriista kandmist või üles tõstmist veenduge, et lüliti on mitteaktiivses asendis. Elektritööriistade kandmine sõrme lülitil hoides või aktiivses olekus lülitiga põhjustab õnnetusi.
- Enne tööriista sisselülitamist eemaldage sellelt reguleerimis- ja mutrivõtmed. Elektritööriista pöörleva osa külge unustatud võtmed vms tööriistad võivad põhjustada kehavigastusi.
- Ärge küünitage liiga kaugelt. Töötage ainult kindlal maapinnal ja kohtades, kus pole ohtu tasakaalu kaotada. Nii säilitate ootamatutes olukordades elektritööriista üle parema kontrolli.
- Riietuge asjakohaselt. Ärge kandke avaraid rõivaid ega ehteid. Vältige juuste, riiete ja kinnaste kokkupuudet liikuvate osadega. Liiga avarad riided, ehted ja pikad juuksed võivad liikuvate osade vahele kinni jääda.
- Kui tootega on kaasas vahendid tolmutõrjumis- ja väljavõtuseadmete ühendamiseks, veenduge, et need seadmed on korralikult ühendatud ja korrektses kasutuses. Tolmutõrjumisvahendite kasutamine vähendab tolmu seotud ohtusid.
- Kui seade on teile sagedase kasutamise tulemusel harjumuspäraseks saanud, ärge laske ennast lõdvaks ega ignoreerige tööriista kasutamise ohutusreegleid. Hoolituse tõttu võite saada tõsiseid vigastusi ka sekundi murdosa jooksul.

ELEKTRITÖÖRIISTA KASUTAMINE JA HOOLDUS

- Ärge rakendage elektritööriista kasutamisel jõudu. Kasutage konkreetseks tööks sobivat elektritööriista. Sobiva elektritööriistaga sobival kiirusel töötades saate töö valmis kiiresti ja ohutult.
- Ärge kasutage tööriista, mida ei saa lülitist sisse ja välja lülitada. Elektrilised tööriistad, mille lüliti ei tööta, on ohtlikud ja tuleb parandada.

ET

- **Eemaldage juhe vooluvõrgust ja/või akuplokk seadme küljest enne kui alustate seadme kohandamist, tarvikute lisamist või eemaldamist ja enne seadme hoiustamist.** Selliste ohutusmeetmete rakendamisel vähendate elektritööriista juhusliku käivitamise võimalust.
- **Tööriistu, mida te hetkel ei kasuta, hoidke lastele kättesaamatus kohas ning ärge lubage nendega töötada isikutel, kes pole tööriistade tööpõhimõtete ja/või käesoleva juhendiga tutvunud.** Koolitamata isikute käes on elektrilised tööriistad ohtlikud.
- **Hooldage nii elektritööriistu kui tarvikuid. Kontrollige, et liikuvad komponendid on korrektselt joondatud ja ükski osa ei ole katki ning jälgige ka muid aspekte, mis võiksid elektritööriista omadusi mõjutada.** Kahjustatud elektritööriist tuleb enne kasutamist parandada. Halvasti hooldatud tööriistad põhjustavad palju õnnetusi.
- **Hoidke oma tööriistad teravad ja puhtad.** Korralikult hooldatud ja teravate servadega lõikevahendid ei kiilu nii kergesti kinni ja on lihtsamini kontrollitavad.
- **Kasutage elektritööriista, selle tarvikuid, tööriistaosi jm vastavalt käesolevale juhendile, võttes arvesse töötingimusi ja teostatavat tööd.** Tööriista mitte-eesmärgipärane kasutamine võib põhjustada ohtlikke olukordi.
- **Hoidke käepidemed ja haardepinnad kuivad ja puhtad ning vältige neile õli ja rasva sattumist.** Libedad käepidemed ja haardepinnad võivad muuta seadme käsitsemise ohtlikuks ja/või põhjustada tööriista üle kontrolli kaotamise.

AKUSEADMETE KASUTAMINE JA HOOLDUS

- **Kasutage laadimiseks ainult tootja poolt ette nähtud laadijaid.** Akulaadija, mis sobib teatud tüüpi akuplokkidele, võib põhjustada tulekahju ohtu, kui seda kasutada mõne teise akuplokkiga.
- **Kasutage elektrilisi tööriistu ainult nende jaoks ette nähtud akuplokkidega.** Mõne muu akuploki kasutamine võib põhjustada vigastuste ja tulekahju ohtu.
- **Kui akut ei kasutata, hoidke seda eemal muudest metallesemetest nagu kirjaklambrid, mündid, võtmed, naelad, kruvid ja muud väikesed metallesemed, mis võivad klemmide vahel ühenduse luua.** Aku klemmide lühiühendus võib põhjustada põletushaavu ja tulekahju ohtu.
- **Valedes tingimustes kasutamisel võib akut vedelikku välja tulla; vältige kokkupuudet sellega.** Kokkupuute tekkimisel loputage veega. Kui vedelik satub silma, pöörduge lisaks ka arsti poole. Akust väljuv vedelik võib põhjustada ärritust või põletusi.
- **Ärge kasutage kahjustunud või modifitseeritud akuplokki või tööriista.** Kahjustunud või modifitseeritud akud võivad toimida ettearvatult, mille tagajärjeks võib olla tulekahju, plahvatus või vigastuste oht.
- **Vältige akuploki või tööriista kokkupuudet tule või liiga kõrge temperatuuriga.** Kokkupuude lahtise tule või temperatuuriga üle 130°C võib põhjustada plahvatuse.
- **Järgige kõiki laadimisjuhiseid ja ärge laadige akuplokki või tööriista vale temperatuuri juures (vt juhiseid).** Valesi või valel temperatuuril laadimine võib kahjustada akut ja suurendada tulekahju ohtu.

HOOLDUS

- **Laske oma akutööriista hooldada kvalifitseeritud remonditehnikul, kes kasutab ainult identseid originaalvaruosi.** See tagab elektritööriista ohutuse.
- **Ärge kunagi hooldage kahjustunud akuplokke.** Akuplokkide hooldust võib teostada ainult tootja või volitatud teeninduskeskus.

KETTSAE TURVAHOIATUS

- **Hoidke kõik kehaosad töötava sae ketist eemal.** Enne kettsae käivitamist veenduge, et saag pole ühegi objektiga kontaktis. Hetkeline tähelepanematus kettsaega töötamisel võib põhjustada teie riiete või keha keti vahele kinni jäämise.
- **Hoidke kettsaagi alati parema käega tagumisest ja vasaku käega eesmisest käepidemest.** Vastupidine käte asetus suurendab isikuvigastuste ohtu ja see ei ole lubatud.
- **Hoidke kettsaagi vaid selle isoleeritud käepidemetest, sest saekett võib puutuda kokku peidetud kaablitega.** Kui saeketid puutuvad kokku voolu all olevate juhtmetega, võib elekter levida tööriista katmata metallosadele ja anda kasutajale elektrilöögi.
- **Kandke kaitseprille.** Soovituslik on ka täiendav kaitsevarustus kuulmise, pea, käte ja jalgade kaitsmiseks. Töötingimustele vastav kaitserietus vähendab saega töötades tekkivast lendavast prahist ja juhuslikust kontaktist põhjustatud õnnetuste raskusastet.
- **Ärge kasutage kettsaagi puu otsas, redelil, katusel või muul ebastabiilsel pinnal viibides.** Kettsae selline kasutamine tagajärjel võivad tekkida rasked vigastused.
- **Kasutage saagi ainult kindlal, tugeval ja tasasel pinnal seistes.** Libedatel või ebastabiilsetel pindadel (nt redelil) seistes võite kaotada tasakaalu või kontrolli oma tööriista üle.

ET

- **Pinge all oleva oksa lõikamisel olge ettevaatlik, sest see võib teie poole paiskuda.** Puukiududes oleva pinge vabanemisel võib mõni koormatud oks operaatori ja/või sae vastu paiskuda, mille tulemusena kaob kontroll sae üle.
- **Võsa ja võrsete lõikamisel olge väga ettevaatlik.** Õrn materjal võib kiilluda sae keti vahele ja lennata teie poole või tõmmata teid nii, et kaotate tasakaalu.
- **Kandke kettsaagi ainult eesmisest käepidemest.** Kandmise ajal peab saag olema välja lülitatud ja kehast eemal. Kettsae transportimisel või hoiustamisel paigaldage alati juhtlati kate. Kettsae õige käsitsemine vähendab liikuva saeketiga kokku puutumise tõenäosust.
- **Järgige määrimise, keti pingestamise ja komponentide vahetamise juhiseid.** Ebakorrektselt pingestatud või määritud kett suurendab tagasilöögi ohtu või võib katki minna.
- **Hoidke käepidemed kuivad, puhtad ning vältige õli ja rasva sattumist seadmele.** Määrdeaine või õliga saastunud käepidemed on libedad ja suurendavad seega seadme üle kontrolli kaotamise ohtu.
- **Lõigake ainult puitu.** Ärge kasutage mootorsaagi mitteshiiparaselt. Näiteks ärge kasutage seda plastmassist, keraamiliste või ükskõik millise puidust erineva ehitusmaterjali lõikamiseks. Kui kasutate kettsaagi mitteshiiparaselt, võite tekitada ohtlikke olukordi.
- **Ärge proovige langetada puud enne, kui te mõistate täielikult kõiki ohte ja nende ennetamise meetmeid.** Puu langetamisel võidakse põhjustada seadme kasutajale või kõrvalistele isikutele raskeid vigastusi.

TAGASILÖÖGI PÕHJUSED JA ENNETAMISE VÕIMALUSED

Tagasilöök võib tekkida, kui juhtlati ots puutub vastu mõnda objekti või kui lõigatav puu vajub saagimise ajal vastu töötavat saagi ja sae kett kiilib kinni. (Joon. A)

ET

Otsa kontakt võib mõnedel juhtudel põhjustada järsu vastureaktsiooni, lüüa juhtlati üles ja operaatori poole tagasi (Joon. B).

Keti kinnikiilumine juhtlati tipu juurest võib juhtlati kiiresti seadme kasutaja suunas tagasi lükata (Joon. C).

Mõlema nimetatud reaktsiooni tulemusena võite kaotada seadme üle kontrolli ja saada raskeid vigastusi. Ärge lootke ainult saele sisseehitatud turvaseadmetele.

Sae kasutajana peate ka ise rakendama mitmeid meetmeid, et vältida õnnetusi või vigastusi.

Tagasilöök on väärikasutuse ja/või ebakorrektsete töövõtete või töötingimuste tagajärg ning seda saab vältida, järgides alltoodud juhiseid.

- **Säilitage tugev haare, hoides põialt ja sõrmi kindlat ümber sae käepidemete.** Hoidke saagi kahe käega ning jälgige, et teie keha ja käte asend võimaldaks tagasilöögi jõude taluda (Joon. D). Tagasilöögi jõudusid saab seadme kasutaja kontrollida eelkõige asjakohaste ettevaatusabinõude rakendamisega. Ärge laske saest lahti.
- **Vältige liigset küünitamist ja ärge saagige oma õlgadest kõrgemal asuvaid objekte.** Sellega ennetate soovimatut otsa kokkupuudet ja suudate kettsaagi ootamatutes olukordades paremini kontrollida.
- **Kasutage vaid tootja lubatud asenduslatte ja -kette.** Valede juhtplaatide ja kettide kasutamine võib põhjustada keti purunemist ja/või tagasilööki.
- **Järgige tootja esitatud kettsae teritamise- ja hooldusjuhiseid.** Sügavuse mõõdiku madalamaks toomine võib suurendada tagasilöövide esinemissagedust.
- **Veenduge, et tööpiirkonnas ei ole tööd takistavaid objekte.** Vältige juhtlati otsa kokkupuudet palkide, okste, aedade või muude takistavate objektidega, millele töötav saag võib vastu minna.
- **Saagimise ajal peab saag alati täiskiiirusel töötama.** Vajutage päästikülüliti täielikult alla ja saagige ühtlasel kiiirusel.
- **Tagasilöögi põhimõtete mõistmine võimaldab juhuslike õnnetuste esinemise võimalust minimeerida või elimineerida.** Ootamatu üllatus aitab õnnetusele kaasa.
- **Töötage ainult kindlal maapinnal ja kohtades, kus pole ohtu tasakaalu kaotada.**
- **Lükka ja tõmba** - puiduga kokku puutudes on reageeriv jõud alati sae liikumissuuna suhtes vastupidine. Seetõttu peab seadme operaator suutma talitseda TÕMMET, kui saeb lati alumise äärega, ja TÕUGET, kui saeb lati ülemise äärega (Joon. E).

SELLE SAE TAGASILÖÖGIGA SEOTUD TURVASEADMED

KETIPIDUR

Sellel sael on ketipidur, mis tagasilöögi tekkimisel mootori ja keti seiskab. Ketipiduri saab aktiveerida, lükates keti tagasilöögi piduri hooba, kui saag pöörleb tagasilöögi ajal tagurpidi; selle aktiveerivad ka kiire tagasitõuke ajal tekkivad inertsjõud.

⚠ HOIATUS! Ärge kohandage ega üritage blokeerida ketipidurit.

Enne töö alustamist kettsaaga veenduge, et ketipidur töötab korrektselt. Ketil tagasilöögiduri hooba peaks saama vabalt edasi-tagasi liigutada.

- Ketipiduri testimiseks läbige järgmised etapid (joon. F).
- Asetage kettsaag tasasele ja puhtale pinnale ning veenduge, et vahetus läheduses pole objekte ega takistusi, mis võiksid sattuda kontakti juhtlatti või ketiga.
- Vabastage ketipidur, tömmates ketil tagasilöögiduri hooba eesmise käepideme suunas.
- Käivitage kettsaag.
- Lükake ketil tagasilöögiduri hooba sae esiosa suunas. Korrektselt töötav käsipidur peatab ketil liikumise viivitamatult. Kui ketipidur ei tööta korrektselt, ärge kasutage kettsaagi, kuni olete lasknud ketipiduri nõuetekohase kvalifikatsiooniga tehnikul parandada.

F-1	Ketil tagasilöögiduri hoob tööasendis
F-2	Ketil tagasilöögiduri hoob pidurdusasendis

⚠ HOIATUS! Enne iga kasutuskorda kontrollige, kas ketipidur töötab.

⚠ HOIATUS! Kui ketipiduri tööd takistavad puiduosakesed, võib ketipiduri toime häiritud olla. Hoidke seade alati puhas.

VÄIKESE TAGASILÖÖGIGA KETTSAAG

Iga lõikeseadme ees olevad räsad (sügavusmõõdikud) minimeerivad potentsiaalse tagasilöögi jõudu, takistades lõikehammaste liiga sügavale tagasilöögi tsooni sisenemist. Kasutage ainult originaalketiga ekvivalentset või sobiva sertifikaadiga asendusketi.

⚠ ETTEVAATUST! Kuna saekette aeg-ajalt teritatakse, kaotavad need mõningaid väikest tagasilööki tagavaid omadusi ja selle võrra tuleks töötades ettevaatlikum olla.

LISAHOIATUSED

- **Kettsaagi tuleb töö ajal hoida kahe käega.** Ühe käega töötamine võib põhjustada raskeid vigastusi seadme operaatorile, abilistele ja/või kõrvalseisjatele.
- **Vältige tahtmatut kontakti saeketiga või juhtlatti relssidega.** Need võivad väga teravad olla. Kettsae, saeketi või juhtlatti käsitlemisel kandke alati kindaid ja pikki pükse või jalakaitseid.

- **Ärge kasutage kettsaagi, mis on kahjustatud või valesti reguleeritud või pole täielikult ja turvaliselt komplekteeritud.** Veenduge, et saekett seisukub pärast päästiku lüliti vabastamist.
- **Enne lõikamist veenduge, et töödeldavas materjalis pole naelu, juhtmeid ega muid võõrkehi.**
- **Enne järkamise alustamist kinnitage töödeldav materjal.** Puude langetamisel või harvendamisel tehke eelnevalt kindlaks ohtlikud oksad ja tagage enda ohutus.
- **Liiga jõulisel lõikamisel või kettsae väärkasutamisel korral võite kiirendada juhtlatti, ketil ja/või ketiratta kulumist.** Kett või juhtlatt võib ka katki minna, mille tulemusena võib tekkida tagasilööök või kett või materjal lendu paiskuda.
- **Ärge kasutage juhtlatti hoovana.** Paindunud juhtlatt võib kiirendada latti, ketil ja/või ketiratta kulumist. Kett või juhtlatt võib ka katki minna, mille tulemusena võib tekkida tagasilööök või kett või materjal lendu paiskuda.
- **Lõigake korraka ainult üht objekti.**
- **Ärge laadige akuplokki niisketes ega märgades tingimustes.**
- **Tehke tööplaan, veendudes, et tööalal pole takistusi ja langeva puu eest põgenemiseks on vähemalt üks kiire tee.**
- **Puulangetamise ajal peavad kõrvalseisjad vähemalt kahe puupikkuse kaugusel olema.**
- **Kui esineb olukordi, mis pole käesolevas juhendis kirjeldatud, käituge hoolsalt ja lähtuge tervest mõistusest.** Küsige abi EGO hoolduskeskusest.

JUHTLATT

Selle saega on kaasas väikese tipuga juhtlatt. Väikeste tippude kasutamisel on tagasilöögi oht väiksem. Kui vajate uut juhtlatti, valige see käesolevas juhendis loetletute hulgast.

HOIDKE SEE KASUTUSJUHEND ALLES!

ET

ЗАГАЛЬНІ ПОПЕРЕДЖЕННЯ ЩОДО ТЕХНІКИ БЕЗПЕКИ РОБОТИ З ЕЛЕКТРОІНСТРУМЕНТАМИ

▲ ПОПЕРЕДЖЕННЯ. Прочитайте всі попередження безпеки, інструкції, ілюстрації та характеристики, надані з цим електроінструментом. Недотримання наведених нижче вказівок може спричинити ураження електричним струмом, пожежу та/або серйозні травми

ЗБЕРІГАЙТЕ ВСІ ПОПЕРЕДЖЕННЯ ТА ІНСТРУКЦІЇ ДЛЯ ВИКОРИСТАННЯ У МАЙБУТНЬОМУ.

Термін «електроінструмент» у попередженнях стосується електричного інструмента, що працює від електромережі (через шнур) або від акумулятора (без шнура).

БЕЗПЕКА В РОБОЧІЙ ЗОНІ

- **Робоче місце має бути чистим і гарно освітленим.** Неприбрана або погано освітлена робоча зона може стати причиною нещасного випадку.
- **Не працюйте з інструментом у вибухонебезпечному середовищі, наприклад за наявності легкозаймистих рідин, газів або пилу.** Під час роботи електроприладу утворюються іскри, від яких можуть зайнятися пил або випари.
- **Дітям і спостерігачам заборонено перебувати поруч з електроінструментом, що працює.** Це може відволікати вас і призвести до втрати контролю.

ЕЛЕКТРИЧНА БЕЗПЕКА

- **Штепсельні вилки електроінструмента мають підходити до розеток.** Заборонено модифікувати вилку будь-яким чином. Не використовуйте жодні штепселі-перехідники для роботи з заземленими електроінструментами. Штепселі та розетки, у які не вносилися зміни, зменшують ризик ураження електричним струмом.
- **Уникайте контакту частин тіла із заземленими поверхнями, такими як труби, батареї, плити й холодильники.** У разі заземлення тіла збільшується ризик ураження електричним струмом.
- **Бережіть електроінструмент від дощу та вологи.** Вода, що потрапила в електроінструмент, підвищує ризик ураження електричним струмом.
- **Поводьтеся обережно зі шнуром живлення.** Не використовуйте шнур живлення для перенесення чи перетягування інструмента та виймання вилки з розетки. Бережіть шнур живлення від джерел тепла, мастил, гострих країв та рухомих частин. Пошкоджені або заплутані шнури живлення

підвищують ризик ураження електричним струмом.

- **Під час роботи з електроінструментом надворі використовуйте подовжувач, призначений для зовнішніх робіт.** Використання подовжувача, призначеного для зовнішніх робіт, зменшує ризик ураження електричним струмом.
- **Якщо роботи з електроінструментом у вологому середовищі не уникнути, скористайтеся вимикачем короткого замикання на землю.** Використання ВКЗЗ зменшує ризик ураження електричним струмом.

ІНДИВІДУАЛЬНА ТЕХНІКА БЕЗПЕКИ

- **Під час роботи з електроінструментом будьте уважними, слідкуйте за своїми діями та мисліть розсудливо.** Не працюйте з електроінструментом, якщо ви втомлені або перебуваєте під дією наркотичних речовин, алкоголю або ліків. Навіть миттєва втрата пильності під час роботи з електроінструментами може стати причиною важкої травми.
- **Використовуйте засоби особистого захисту.** Завжди носіть засоби захисту очей. Використання у відповідних умовах таких захисних засобів, як протипиловий респиратор, неспизьке захисне взуття, шолом-каска і навушники допоможе зменшити ризик травмування.
- **Уникайте випадкового запуску інструмента.** Перш ніж підключати електроінструмент до мережі живлення чи акумулятора, брати чи переносити його, перевірте, чи встановлено перемикач у положення «вимкнено». Якщо переносити електроінструмент, тримаючи палець на перемикачі живлення, або підключати його до джерела живлення, коли перемикач живлення перебуває в положенні «увімкнено», це може призвести до травмування.
- **Перш ніж вмикати електроінструмент, слід зняти всі регульовальні клинці або гайкові ключі.** Якщо залишити такий ключ на рухомій частині електроінструмента, це може призвести до травмування.
- **Не дотягуйтеся.** Завжди міцно стійте на ногах і втримуйте рівновагу. Це дає змогу краще керувати електроінструментом у разі виникнення непередбачуваних ситуацій.
- **Одягайтеся належним чином.** Не носіть вільний одяг або біжутерію. Стежте за тим, щоб волосся, одяг та рукавиці не потрапили на рухомі частини. Вільний одяг, прикраси або довге волосся можуть потрапити в рухомі частини.
- **Якщо пристрій обладнано системою видалення пилу, переконайтеся, що її правильно підключено і що ви використовуєте її належним чином.** Використання пристрою для збирання пилу

може зменшити небезпеку, пов'язану з пилом.

- Не дозволяйте навичкам, отриманим після частого використання інструментів, змусити вас стати самовпевненими та ігнорувати принципи безпеки інструмента. Недбала дія може спричинити серйозну травму протягом долі секунди

ВИКОРИСТАННЯ ТА ДОГЛЯД ЗА ЕЛЕКТРОІНСТРУМЕНТОМ

- Не застосовуйте силу до електроінструмента. Використовуйте належний електроінструмент відповідно до потреби. Правильно підібраний електроінструмент допоможе краще і безпечніше зробити роботу зі швидкістю, яка для неї передбачена.
- Не використовуйте електроінструмент, якщо перемикач не вмикає або не вимикає його. Усі електроінструменти, якими неможливо керувати за допомогою перемикача, становлять небезпеку й підлягають ремонту.
- Перш ніж проводити будь-які налаштування, замінювати приладдя, а також перед зберіганням вийміть штепсель із розетки або акумулятор з інструмента. Такі запобіжні заходи техніки безпеки зменшують ризик випадкового запуску електроінструмента.
- Зберігайте інструменти, що не використовуються, подалі від дітей і не дозволяйте особам, які не мають досвіду роботи з такими інструментами або не знайомі з цією інструкцією, користуватись електроінструментом. Електроінструменти становлять небезпеку в руках недосвідчених користувачів.
- Доглядайте за електроінструментами та аксесуарами. Перевіряйте їх на предмет розладнання чи блокування рухомих частин, а також будь-яких обставин, які можуть вплинути на роботу електроінструмента. У разі пошкодження електроінструмент слід здати в ремонт, перш ніж користуватися ним. Часто нещасні випадки трапляються внаслідок неналежного технічного обслуговування електроінструментів.
- Тримайте ріжучі інструменти гострими й чистими. Належним чином доглянуті ріжучі інструменти з гострими ріжучими краями рідше блокуються, і ними легше керувати;
- Користуйтеся електроінструментом, аксесуарами та насадками для інструмента згідно з цією

інструкцією, зважаючи на робочі умови та роботу, яку слід виконати. Використання електроінструмента не за призначенням може стати причиною виникнення небезпечних ситуацій.

- Підтримуйте руків'я та захватні поверхні сухими, чистими, без жиру і бруду. Слизькі ручки та захватні поверхні можуть призвести до небезпечного поводження з інструментом та/або втрати контролю.

КОРИСТУВАННЯ І ДОГЛЯД ЗА АКУМУЛЯТОРНИМ ІНСТРУМЕНТОМ

- Заряджайте лише за допомогою зарядного пристрою, указанного виробником. Зарядний пристрій, який підходить для акумуляторів одного виду, може спричинити ризик пожежі у випадку його використання з іншим акумулятором.
- З електроінструментами слід використовувати лише призначені для них акумуляторні батареї. Використання будь-яких інших акумуляторних батарей може призвести до травми або пожежі.
- Коли батарея не використовується, її слід тримати окремо від металевих предметів – затискачів паперу, монет, ключів, цвяхів, шурупів та інших дрібних предметів, які можуть замкнути клема. Коротке замикання клем акумулятора може стати причиною опіків чи пожежі.
- У надто важких умовах експлуатації з акумулятора може витікати рідина; не доторкайтесь до неї. Якщо випадково ви все ж торкнулися її, слід промити це місце водою. Якщо рідина потрапила в очі, слід також звернутися до лікаря. Рідина, яка виступає з акумулятора, може спричинити подразнення або опіки.
- Не використовуйте акумуляторну батарею або інструмент, які пошкоджені або змінені. Пошкоджені або змінені батареї можуть мати непередбачувану поведінку, що може спричинити пожежу, вибух або ризик травмування.
- Не піддавайте акумуляторну батарею або інструмент дії вогню або високих температур. Вогонь або температура вище 130°C може спричинити вибух.
- Дотримуйтеся усіх інструкцій щодо заряджання та не заряджайте акумуляторну батарею або інструмент за межами температурного діапазону, зазначеного в інструкціях. Зарядження неналежним чином або при температурах за межами вказаного діапазону може пошкодити акумулятор і збільшити ризик виникнення пожежі.

UK

СЕРВІС

- Обслуговування електроінструмента повинен виконувати кваліфікований ремонтник із використанням лише ідентичних запасних частин. Це забезпечить нормальну роботу електроінструмента.
- Ніколи не ремонтуйте пошкоджені акумулятори. Сервісне обслуговування акумуляторних батарей має виконувати лише виробник або авторизовані постачальники послуг.

ПОПЕРЕДЖЕННЯ ЩОДО БЕЗПЕКИ ЛАНЦЮГОВОЇ ПИЛИ

- Коли ланцюгова пила працює, слід тримати всі частини тіла подалі від пильного ланцюга. Перш ніж запустити ланцюгову пилу, переконайтеся, що пильний ланцюг нічого не торкається. Момент неуважності під час роботи ланцюгових пил може спричинити затягування одягу або частин тіла ланцюгом.
- Тримайте ланцюгову пилу правою рукою за задню ручку, а лівою рукою за передню ручку. Тримання ланцюгової пили навпаки збільшує ризик травмування і цього ніколи не слід допускати.
- Тримайте ланцюгову пилу тільки за ізольовані поверхні для захоплення, оскільки пильний ланцюг може контактувати з прихованою проводкою. Пильні ланцюги, що контактують із проводом під напругою, можуть проводити струм на відкриті металеві частини електроінструменту та призвести до ураження оператора електричним струмом.
- Носіть захисні окуляри. Рекомендуються додаткове захисне обладнання для захисту органів слуху, голови, рук, ніг і ступень. Адекватний захисний одяг зменшить ризик отримання травм від літаючих уламків або випадкового контакту з пильним ланцюгом.
- Не використовуйте ланцюгову пилу, перебуваючи на дереві, на драбині, на даху або на будь-якій нестійкій опорі. Експлуатація ланцюгової пили в такий спосіб може призвести до серйозних травм.
- Завжди правильно стійте на ногах і працюйте з ланцюговою пилою, тільки стоячи на нерухомій, надійній і рівній поверхні. Слизькі або нестійкі поверхні, такі як драбини, можуть спричинити втрату рівноваги або контроль над ланцюговою пилою.
- Під час пиляння гілки, що перебуває під напругою, потрібно остерігатися відскакування. Коли напругу в деревних волокнах знято, гілка може вдарили оператора та/або відкинути ланцюгову пилу

та призвести до втрати контролю.

- Будьте надзвичайно обережними під час пиляння кущів та молодих дерев. Тонкий матеріал може захопити пильний ланцюг і вдарили вас або вибити вас із рівноваги.
- Переносьте ланцюгову пилу за передню ручку, при цьому ланцюгова пила має бути вимкнена та на відстані від вашого тіла. Для транспортування і зберігання ланцюгової пили завжди закривайте напрямну шину ковпачком. Правильне поводження з ланцюговою пилою зменшить імовірність випадкового контакту з рухомим пильним ланцюгом.
- Дотримуйтеся інструкцій щодо змащування та заміни приладдя та натягування пили. Неправильно натягнутий або змащений ланцюг може зламатись або збільшити ризик віддачі.
- Підтримуйте руків'я сухими, чистими, без жиру і бруду. Жири, масляні ручки слизькі, що призводить до втрати контролю.
- Пиляйте тільки дерево. Не використовуйте ланцюгову пилу для цілей, для яких її не призначено. Наприклад: не використовуйте ланцюгову пилу для різання пластмаси, каменю або недеревних будівельних матеріалів. Використання пили не за призначенням може призвести до небезпечної ситуації.
- Не намагайтеся повалити дерево, доки не зрозумієте ризики й не знатимете, як їх уникнути. Під час зрубання дерева оператор або сторонні особи можуть отримати серйозні травми.

ПРИЧИНИ ТА ЗАПОБІГАННЯ ВІДДАЧІ ОПЕРАТОРОМ

Може виникнути віддача, коли носик або кінчик напрямної штанги торкається предмета або коли дерево закривається і защемлює пильний ланцюг у вирізі (рис. А).

Контакт із кінчиком у деяких випадках може призвести до раптової зворотної реакції, відкидаючи напрямну шину вгору і назад з бік оператора (рис. В).

Затискання пильного ланцюга по верхній частині напрямної шини може швидко відштовхнути напрямну шину назад на оператора (рис. С).

Будь-яка з цих реакцій може призвести до втрати контролю над пилою, що може спричинити серйозні травми. Не покладайтеся виключно на запобіжні пристрої, вбудовані у вашу пилу.

Як користувачу ланцюгової пили, вам слід виконати кілька дій, щоб у роботі з нею не виникали нещасні випадки чи травми.

Віддача – це результат неправильного використання інструмента і недотримання належної техніки та умов експлуатації; цьому можна запобігти, як зазначено нижче.

- **Тримайте пилу міцно обома руками, охопивши пальцями ручки ланцюгової пили. Прийміть таке положення тіла та рук, за якого ви могли б протистояти силі віддачі (рис. D).** Силу віддачі оператор може контролювати, якщо вжити відповідних запобіжних заходів. Не відпускайте ланцюгову пилу.
- **Не дотягуйте і не зрізайте над висотою плеча.** Це допомагає запобігти ненавмисному контакту з кінчиком та забезпечує кращий контроль над ланцюговою пилою в непередбачених ситуаціях.
- **Використовуйте лише запасні шини та ланцюги, вказані виробником.** Неправильні запасні шини та ланцюги можуть призвести до розриву ланцюга та/ або віддачі.
- **Дотримуйтеся вказівок виробника щодо загострення та технічного обслуговування пильного ланцюга.** Зменшення висоти обмежувача глибини може призвести до збільшення віддачі.
- **Переконайтеся, що в місці, де ви зрізаете, немає перешкод.** Не допускайте контакту носика напрямної шини з колодою, гілкою, парканом або будь-якою іншою перешкодою, на яку він може натрапити під час використання пили.
- **Завжди ріжте, коли пристрій працює на повній швидкості.** Повністю висуньте пусковий вимикач і підтримуйте швидкість різання.
- **Маючи базове розуміння того, що таке віддача, ви можете зменшити або усунути елемент несподіванки.** Раптова несподіванка сприяє нещасним випадкам.
- **Завжди міцно стійте на ногах і втримуйте рівновагу.**
- **Штовхайте і тягніть.** Сила реакції завжди протилежна напрямку, у якому рухається ланцюг у разі контакту з деревиною. Таким чином, оператор повинен бути готовим контролювати ТЯГУ під час різання вздовж нижнього краю шини, і ШТОВХАННЯ під час різання вздовж верхнього краю (рис. E).

ЗАПОБІЖНІ ПРИСТРОЇ, ЩО ЗАХИЩАЮТЬ ВІД ВІДДАЧІ, УСТАНОВЛЕНІ НА ЦЬЙ ЛАНЦЮГОВІЙ ПИЛІ

ГАЛЬМО ЛАНЦЮГА

Ланцюгова пила оснащена гальмом ланцюга, яке зупи-

няє мотор і рух ланцюга в разі віддачі. Гальмо ланцюга можна привести в дію рухом вперед рукоятки гальма віддачі ланцюга, оскільки пила обертається назад під час віддачі; Його також можуть активувати сили інерції, які утворюються під час швидкого відштовхування.

⚠ ПОПЕРЕДЖЕННЯ. Ніколи не змінюйте й не намагайтеся відключити гальмо ланцюга.

Переконайтеся, що гальмо ланцюга працює належним чином, перед використанням ланцюгової пили. Рукоятка гальма віддачі ланцюга має легко рухатися вперед і назад.

- Щоб перевірити роботу гальма ланцюга, виконайте такі дії (рис. F):
- Покладіть ланцюгову пилу на рівну голу поверхню та переконайтеся, що в безпосередній близькості немає предметів або перешкод, які можуть контактувати із шиною та ланцюгом.
- Розблокуйте гальмо ланцюга, потягнувши рукоятку гальма віддачі ланцюга у напрямку передньої ручки.
- Запустіть ланцюгову пилу.
- Посуньте ручку гальма віддачі ланцюга в напрямку передньої частини пили. Ручне гальмо, що працює правильно, зупинить рух ланцюга негайно. Якщо гальмо ланцюга не працює належним чином, не використовуйте ланцюгову пилу, доки її не буде відремонтовано кваліфікованим технічним спеціалістом.

F-1	Ручка гальма віддачі ланцюга в робочому положенні
F-2	Ручка гальма віддачі ланцюга в положенні гальмування

⚠ ПОПЕРЕДЖЕННЯ. Переконайтеся, що гальмо ланцюга працює належним чином, перед кожним використанням.

⚠ ПОПЕРЕДЖЕННЯ. Якщо гальмо ланцюга забито тирсою, робота гальма ланцюга може погіршитися. Завжди зберігайте пристрій у чистоті.

ПИЛЬНИЙ ЛАНЦЮГ ІЗ НИЗЬКОЮ ВІДДАЧЕЮ

Обмежувальні виступи (обмежувачі глибини) попереду кожного різачка можуть звести до мінімуму силу реакції віддачі, завдяки чому різці не врізаються надто глибоко розкопуванню в зоні віддачі. Використовуйте лише сертифікований запасний ланцюг або рівноцінний оригінальному ланцюгу.

UK

⚠ ЗАСТЕРЕЖЕННЯ. Оскільки пильні ланцюги загострюються під час їх терміну служби, вони втрачають якості низької віддачі, тому слід бути особливо обережними.

ДОДАТКОВІ ПОПЕРЕДЖЕННЯ

- Ланцюгова пила призначена для використання двома руками. Серйозне пошкодження оператора, помічників та/або сторонніх спостерігачів може виникнути внаслідок роботи однією рукою.
- Уникайте ненавмисного контакту з нерухомим пильним ланцюгом або рейками напрямної шини. Вони можуть бути дуже гострими. Завжди використовуйте рукавички та довгі штани або чоботи під час поводження зі ланцюговою пилою, пильним ланцюгом або напрямною шиною.
- Ніколи не використовуйте ланцюгову пилу, яка пошкоджена, неправильно налаштована або не зібрана повністю та надійно. Переконайтеся, що пильний ланцюг зупиняється, якщо відпустити тригер.
- Перед пилянням огляньте заготовку на наявність цвяхів, дротів або інших сторонніх предметів.
- Для розпилювання закріпіть заготовку перед різанням. Під час рубання дерев або підрізання сучків виявляйте та закріплюйте небезпечні гілки.
- Агресивне чи неналежне пиляння або неправильне використання ланцюгової пили може спричинити передчасне зношення шини, ланцюга та/або зірочки, а також розрив ланцюга або поломку шини, що призведе до віддачі, відкидання ланцюга або викиду матеріалу.
- Ніколи не використовуйте напрямну шину як важіль. Зігнута напрямна шина може спричинити передчасне зношення шини, ланцюга та/або зірочки, а також розрив ланцюга або поломку шини, що призведе до віддачі, відкидання ланцюга або викиду матеріалу.
- Ріжте лише одну заготовку за раз.
- Не заряджайте акумуляторну батарею під дощем або у вологих місцях.
- Плануйте роботу таким чином, щоб у робочій зоні не було перешкод, а, у випадку зрубування дерев передбачте хоча б один шлях, щоб сховатися від дерева, яке падає.
- Під час зрубування дерев тримайте сторонніх спостерігачів принаймні на відстані висоти двох дерев.
- Якщо виникають ситуації, які не розглядаються в цьому посібнику, проявляйте обережність і розсудливість. Зверніться до клієнтської служби EGO по допомогу.

НАПРЯМНА ШИНА

Ця пила оснащена напрямною шиною, яка має малий радіус носика. Носики малого радіусу зазвичай мають менший потенціал для віддачі. Замінюючи напрямну шину, обов'язково замовте шину, наведену в цьому посібнику.

ЗБЕРЕЖІТЬ ЦЮ ІНСТРУКЦІЮ!

ОБЩИ ПРЕДУПРЕЖДЕНИЯ ЗА БЕЗОПАСНОСТ НА ЕЛЕКТРИЧЕСКИ ИНСТРУМЕНТИ

▲ ПРЕДУПРЕЖДЕНИЕ: Прочетете всички предупреждения за безопасност, инструкции, илюстрации и спецификации предоставени с този електрически инструмент. Неспазването на всички инструкции изброени долу може да доведе до токов удар, пожар и/или сериозно нараняване.

ЗАПАЗЕТЕ ВСИЧКИ ПРЕДУПРЕЖДЕНИЯ И ИНСТРУКЦИИ ЗА БЪДЕЩА СПРАВКА.

Терминът „Електрически инструмент“ в предупрежденията се отнася до захранвани от мрежата (кабелни) електрически инструменти или захранвани чрез батерия (безкабелни) електрически инструменти.

БЕЗОПАСНОСТ В РАБОТНАТА ЗОНА

- Поддържайте работната зона чиста и добре осветена. Разхвърляния или тъмни работни зони пораждаат инциденти.
- Не работете с електрически инструменти в експлозивна атмосфера, като например в присъствието на запалими течности, газ или прах. Електрическият инструмент създава искра, която може да възпламени праха или изпаренията.
- Дръжте на разстояние децата и страничните лица, докато работите с електрически инструмент. Разсейването може да причини загуба на контрол.

ЕЛЕКТРИЧЕСКА БЕЗОПАСНОСТ

- Щепселите на електрическия инструмент трябва да съответстват на контакта. Никога не модифицирайте щепсела по какъвто и да е начин. Не използвайте какъвто и да е адаптер със заземен електрически инструмент. Немодифицираните щепсели и съответстващите контакти ще намалят риска от електрически шок
- Избягвайте контакт на тялото със заземени повърхности, като тръби, радиатори, кухненски печки и хладилници. Съществува повишена опасност от токов удар, ако тялото Ви е заземено.
- Не излагайте електрическите инструменти на дъжд или влажни условия. Навлизането на вода в електрическия инструмент ще увеличи риска от токов удар.
- Не злоупотребявайте с кабела. Никога не използвайте кабела за пренасяне, изтегляне или изключване от контакта на електрическия

инструмент. Дръжте кабела настрана от топлина, масло, остри ръбове или движещи се части. Повредени или оплетени кабели увеличават риска от електрически удар.

- Когато работите с електрически инструмент на открито, използвайте удължителен кабел подходящ за употреба на открито. Употребата на кабел подходящ за употреба на открито намалява риска от електрически удар.
- Ако работата с електрическия инструмент на влажно място е неизбежна, използвайте захранване със защитен прекъсвач на веригата при неизправно заземяване (GFCI). Употребата на GFCI намалява риска от токов удар.

ЛИЧНА БЕЗОПАСНОСТ

- Внимавайте, гледайте какво правите и използвайте здрав разум, когато работите с електрически инструмент. Не използвайте електрически инструмент, когато сте уморени или когато сте под влияние на наркотици, алкохол или лекарства. Момент невнимание по време на работата с електрически инструмент, може да доведе до сериозно лично нараняване.
- Използвайте лични предпазни средства. Винаги носете защита за очите. Защитно оборудване като прахови маски, не плъзгащи се безопасно обувки, твърда каска или защита за слуха използвана при подходящи условия ще намали риска от лични наранявания.
- Предотвратете непреднамерено пускане. Уверете се, че ключът е в изключена позиция, преди да свържете към захранване и/или батерия, повдигайки или носейки инструмента. Носейки инструмента, докато пръстът ви е на спуска или подаването на захранване на инструменти, които са с включен прекъсвач е предпоставка за инциденти.
- Извадете всеки регулиращ ключ или гаечен ключ, преди да включите захранването. Гаечен или друг ключ оставен закачен към въртящите се части на електрическия инструмент, може да доведе до лично нараняване.
- Не се протягайте. Запазете правилна стойка и баланс по всяко време. Това позволява по-добър контрол върху електрическия инструмент в непредвидени ситуации.
- Облечете се подходящо. Не носете свободни дрехи или накити. Дръжте косата, дрехите и ръкавиците далеч от движещи се части. Отпуснати дрехи, бижута или дълга коса, могат да бъдат хванати в движещите се части.

- Ако са предоставени устройства за свърване на прахоуловител или съоръжения за събиране, уверете се, че те са свързани и са правилно използвани. Употребата на устройства за прах може да намали рисковете свързани с прах.
- Не позволявайте на рутинността придобита от честата употреба на инструмента да позволи да станете небрежни и да игнорирате принципите за безопасност на инструмента. Небрежно действие може да причини сериозно нараняване за части от секундата.

УПОТРЕБА И ГРИЖА ЗА ЕЛЕКТРИЧЕСКИЯ ИНСТРУМЕНТ

- Не пресилвайте електрически инструмент. Използвайте правилния електрически инструмент за вашата работа. Правилният електрически инструмент ще свърши работата по-добре и по-безопасно при капацитета за който е проектиран.
- Не използвайте електрическия инструмент ако ключът не го включва или изключва. Всеки електрически инструмент, който не може да бъде контролиран от ключа е опасен и трябва да бъде поправен.
- Разкачете щепсела от захранването и/или батерията от електрическия инструмент, преди да извършите настройки, смяна на аксесоари или съхраняване на инструментите. Подобни превантивни мерки за безопасност намаляват риска от стартиране на инструмента инцидентно.
- Дръжте свободния електрически инструмент извън достъпа до деца и не позволявайте хора, които не са запознати с електрическия инструмент или тези инструкции да работят с него. Електрическите инструменти са опасни в ръцете на необучени потребители.
- Поддръжка на електрически инструменти и аксесоари. Проверете за разместване или блокиране на подвижни части, счупване на части, и всякакви други условия, които могат да повлияят на работата на електрическия инструмент. При повреда ремонтирайте инструмента преди употреба. Много инциденти са причинени от лошо поддържани електрически инструменти.
- Дръжте режещите инструменти остри и чисти. Правилно поддържани режещи инструменти, с остри режещи ръбове е по-малко вероятно да се заклепчат и по-лесно се контролират.
- Използвайте електрическия инструмент, аксесоарите, частите на инструмента и т.н в

съответствие с тези инструкции, като вземете предвид условията на работа и вида работа, която ще бъде извършвана. Употребата на електрическия инструмент за дейности различни от предназначението може да доведе до опасни ситуации.

- Дръжте ръкохватките и повърхностите за захващане сухи, чисти и без масло и грес. Хлъзгавите ръкохватки и места за захващане могат да доведат до небезопасно боравене и/или загуба на контрол на инструмента.

УПОТРЕБА И ГРИЖА ЗА ИНСТРУМЕНТ С БАТЕРИЯ

- Презареждайте само със зарядното устройство определено от производителя. Зарядно устройство, което е подходящо за един вид акумулаторна батерия може да създаде опасност от пожар, когато се използва с друга акумулаторна батерия.
- Използвайте електрически инструменти само със специфично обозначени акумулаторни батерии. Използването на всяка друга акумулаторна батерия може да създаде риск от нараняване и пожар.
- Когато акумулаторните батерии не са в употреба ги дръжте на разстояние от други метални обекти, като кламери, монети, ключове, пирони, отвертки или други малки метални предмети, които могат да направят свързване между клемите. Свързване на късо на клемите на батерията може да причини изгаряне или пожар.
- При условия на злоупотреба, може да се изхвърли течност от батерията. Избягвайте контакт. В случай на инцидентен контакт измийте с вода. Ако течността влезе в контакт с очите, потърсете допълнително медицинска помощ. Течността изхвърлена от батерията може да причини раздразнение или изгаряния.
- Не използвайте акумулаторна батерия или инструмент, които са повредени или модифицирани. Повредените или модифицираните батерии може да проявят непредсказуемо поведение, което да доведе до пожар, експлозия или риск от нараняване.
- Не излагайте батерията или инструмента на огън или прекомерна температура. Излагане на огън или температури над 130 °C може да причини експлозия.
- Следвайте всички инструкции за зареждане и не зареждайте батерията или инструмента извън температурния обхват зададен в инструкциите. Неправилното зареждане или зареждане извън определения температурен обхват може да повреди батерията и да повиши риска от пожар.

ОБСЛУЖВАНЕ

- Обслужвайте вашия електрически инструмент чрез квалифициран техник, като използвате само идентични резервни части. Това ще осигури поддържането на безопасност на електрическия инструмент.
- Никога не поправяйте повредени акумулаторни батерии. Ремонтът на акумулаторни батерии трябва да бъде извършван от производителя или оторизиран сервис.

ПРЕДУПРЕЖДЕНИЯ ЗА БЕЗОПАСНОСТ ЗА ВЕРИЖНИЯ ТРИОН

- Дръжте всички части от тялото далеч от веригата на триона, когато верижният трион работи. Преди да стартирате верижния трион се уверете, че веригата на триона не докосва нещо. Момент невнимание докато работите с верижния трион може да причини оплитане на вашите дрехи или тяло във веригата.
- Винаги дръжте верижния трион с дясната си ръка за задната ръкохватка и с лявата ръка за предната ръкохватка. Държането на верижния трион с обрната конфигурация на ръцете, повишава риска от нараняване и никога не трябва да бъде правено.
- Дръжте верижния трион, като го хващате само за изолираните места за хващане, защото по веригата на триона може да има скрити електрически връзки. Верижните триони, които са в контакт с електрозахранен кабел, могат да направят откритите части на електрическия инструмент електропроводими и да предизвикат електрически удар за оператора.
- Носете защитни очила. Препоръчително е да носите и допълнителни защитни средства за слуха, главата, ръцете, краката и стъпалата. Подходящото защитно облекло ще намали нараняванията от летящи отломки или случаен контакт с веригата на триона.
- Не използвайте верижен трион на дърво, на стълба, на покрив или върху друга нестабилна опора. Работата с верижен трион по този начин може да доведе до сериозни наранявания.
- Винаги поддържайте правилна позиция на краката и работете с верижния трион единствено, когато стоите върху закрепена, сигурна и равна повърхност. Хлъзгави и нестабилни повърхности като стълби могат да причинят загуба на баланс или на контрол върху верижния трион.
- Когато режете главен клон на дърво, който е под напрежение внимавайте за пружинен ефект. Когато обтягащото напрежение във фибрите на дървото е освободено, клонът с пружинно натоварване може да удари оператора и/или изхвърли неконтролирано верижния трион.
- Бъдете изключително внимателни, когато режете храсти и фиданки. Тънкият материал може да бъде хванат от веригата на триона и да бъде камшично върнат към вас или да ви извади от равновесие.
- Носете верижния трион за предната ръкохватка, като верижният трион е изключен и е далеч от тялото. Когато транспортирате или съхранявате верижния трион винаги поставяйте капака на водещата шина. Правилното боравене с верижния трион ще намали вероятността от случаен контакт с движещата се верига на триона.
- Следвайте инструкциите за смазване, смяна на веригата и смяна на аксесоари. Неправилно обтегната или смазана верига, може да се счупи или да увеличи вероятността за ритане.
- Дръжте ръкохватките сухи, чисти и без масло и грес. Гресираните, омазани ръкохватки са хлъзгави, което води до загуба на контрол.
- Режете единствено дърва. Не използвайте верижния трион за цели, които не са по предназначение. Примерно не използвайте верижния трион за рязане на пластмаса, каменни изделия или не дървени строителни материали. Употребата на верижния трион за дейности различни от предназначението може да доведе до опасни ситуации.
- Не се опитвайте да повалите дърво, докато не сте наясно с рисковете и как да ги избегнете. При поваляне на дърво могат да възникнат сериозни рискове за оператора или за хората наоколо.

ПРИЧИНИ И ПРЕДОТВРЯВАНЕ НА ОТКАТ ОТ ОПЕРАТОРА

Откат може да се получи, когато носа или върха на водещата шина докоснат обект или когато дървото се затвори и защипе верижния трион в разреза. (Фиг. А)

Контактът с върха в някои случаи може да причини внезапна обратна реакция, изхвърляйки водещата шина нагоре и назад към оператора (Фиг. В).

Защипването на верижния трион към върха на водещата шина, може да избуга водещата шина бързо назад към оператора (Фиг. С).

BG

Всяка от тези реакции може да предизвика загуба на контрол върху триона, което може да доведе до сериозно нараняване. Не разчитайте единствено на устройствата за безопасност вградени в триона.

Като потребител на верижен трион, вие трябва да предприемете няколко стъпки за да запазите вашите дейности по рязането без инциденти или нараняване.

Откатът е в резултат на злоупотреба с инструмента и/или неправилни процедури или условия на работа и може да бъде избегнат като се вземат правилни предпазни мерки, които са посочени долу:

- **Поддържайте здрав захват, като палецът и пръстите са обхванали ръкохватката на верижния трион, с двете ръце на триона и позиционирайте тялото и ръцете за да устоят на силите на отката (Фиг. D).** Силите на откат могат да бъдат контролирани от оператора, ако бъдат взети правилни предпазни мерки. Не пускайте верижния трион.
- **Не се пресягайте и не режете над височината на раменете.** Това помага да се предотврати неочакван контакт с върха и позволява по-добър контрол на верижния трион в непредвидени ситуации.
- **Използвайте единствено резервни щанги и вериги определени от производителя.** Неподходящи резервни щанги и вериги, може да причинят счупване на веригата или откат.
- **Следвайте инструкциите на производителя за заточване и поддръжка на веригата на триона.** Намалването на височината на дълбокомера може да доведе до повишен откат.
- **Уверете се, че зоната в която режете е свободна от препятствия.** Не позволявайте носа на водещата шина да влезе в контакт с дънер, клон, ограда или някое друго препятствие, което може да бъде ударено, докато работите с триона.
- **Винаги режете, когато уредът работи на пълна скорост.** Натиснете изцяло спусъка на превключвателя и поддържайте скоростта на рязане.
- **С основни знания за отката, може да намалите или да елиминирате елемента на изненада.** Внезапната изненада спомага за инцидентите.
- **Запазете правилна стойка и баланс по всяко време.**
- **Бутане и дърпане** – Силата на реакция е винаги противоположна на посоката, в която се движи веригата, където е направен контактът с дървото. Затова операторът трябва да е готов да контролира ДЪРПАНЕТО, когато режете с долния ръб на шината и БУТАНЕТО, когато режете по горния ръб (Фиг. E).

BG

УСТРОЙСТВА ЗА БЕЗОПАСНОСТ ПРИ ОТКАТ НА ТОЗИ ВЕРИЖЕН ТРИОН

СПИРАЧКА НА ВЕРИГАТА

Верижният трион идва оборудван със спирачка на веригата, която спира заедно мотора и и движението на веригата, когато се случи откат. Спирачката на веригата може да бъде активирана от движение напред на спирачната ръкохватка за откат на веригата, когато трионът се завърти назад по време на откат. Тя също може да бъде активирана от инерционните сили създадени по време на бързо избутване.

▲ ПРЕДУПРЕЖДЕНИЕ: Никога не модифицирайте или не се опитвайте да деактивирате спирачката на веригата.

Уверете се, че спирачката на веригата работи правилно, преди да използвате верижния трион. Спирачната ръкохватка за откат на веригата трябва лесно да се мести назад и напред.

- За да тествате работата на спирачката на веригата извършете следните стъпки (Фиг. F):
- Поставете верижния трион на равна празна повърхност и се уверете, че няма в непосредствена близост обекти или препятствия, които могат да влязат в контакт с шината и веригата.
- Освободете спирачката на веригата, като издърпате спирачната ръкохватка за откат на веригата към предната ръкохватка.
- Стартирайте верижния трион.
- Избутайте спирачната ръкохватка за откат на веригата към предната част на триона. Правилно функционираща ръчна спирачка ще спре движението на веригата незабавно. Ако ръчната спирачка не работи правилно, не използвайте верижния трион, докато не бъде ремонтиран от квалифициран сервизен техник.

F-1	Спирачната ръкохватка за откат на веригата в работна позиция
F-2	Спирачната ръкохватка за откат на веригата в спирачна позиция

▲ ПРЕДУПРЕЖДЕНИЕ: Потвърдете, че спирачката на веригата работи правилно преди всяка употреба.

▲ ПРЕДУПРЕЖДЕНИЕ: Ако спирачката на веригата е запушена с дървени стърготини, функцията на спирачката може да се влоши. Винаги дръжте устройството чисто.

ВЕРИГА ЗА ТРИОН С НАМАЛЕН ОТКАТ

Зъбите (дълбокомерите) пред всеки резец, могат да минимизират силата на реакцията при откат, като предотвратят навлизането твърде надълбоко на резците в зоната на откат. Винаги използвайте резервна верига, която е еквивалент на оригиналната или е сертифицирана такава.

⚠ ВНИМАНИЕ: При заточване на веригите по време на техния експлоатационен живот, те губят част от качествата за слаб откат и трябва да се подходи с допълнително внимание.

ДОПЪЛНИТЕЛНИ ПРЕДУПРЕЖДЕНИЯ

- Верижният трион е предназначен за употреба с две ръце. Сериозно нараняване на оператора, помощници и/или околно стоящи може да е резултат от работа с една ръка.
- Избягвайте неволен контакт с веригата на триона, когато е стационарна или с релсите на водещата шина. Те могат да бъдат много остри. Винаги носете ръкавици и дълги панталони или предпазни крачоли, когато боравите с верижния трион, веригата на триона или водещата шина.
- Никога не работете с верижния трион, който е повреден или неправилно регулиран или който не е изцяло или сигурно сглобен. Уверете се, че верижният трион спира да се движи, когато спусъкът е освободен.
- Преди рязане проверете местото на работа за пирони, жици или други чужди обекти.
- Когато разбичвате осигурете заготовката преди рязане. Когато сечете или подрязвате, идентифицирайте и обезопасете опасните клони.

- Агресивното или злоупотребяващо рязане или неправилната употреба на верижния трион, може да причини преждевременно износване на шината, веригата и/или зъбното колело, както и счупена верига или шина, което да доведе до ритане, изхвърляне на веригата или изхвърляне на материал.
- Никога не използвайте водещата шина като лост. Огъната водеща шина може да причини преждевременно износване на шината, веригата и/или зъбното колело, както и счупена верига или шина, което да доведе до ритане, изхвърляне на веригата или изхвърляне на материал.
- Режете само по един детайл в даден момент.
- Не зареждайте акумулаторната батерия при дъжд или в мокра среда.
- Планирайте работата, осигурете зона за работа без препятствия и в случай на сеч, поне един маршрут за бягство от падащото дърво.
- По време на сеч дръжте околните хора на разстояние поне две дължини на дървото.
- Ако настъпят събития, които не са засегнати в това ръководство, бъдете предпазливи и използвайте добра преценка. Свържете се с обслужване на клиенти на EGO за помощ.

ВОДЕЩА ШИНА

Този трион идва оборудван с водеща шина, която има нос с малък радиус. Носовите с малък радиус, като цяло имат по малък потенциал за откат. Когато подмените водещата шина, уверете се, че поръчват шината посочена в това ръководство.

ЗАПАЗЕТЕ ТЕЗИ ИНСТРУКЦИИ!

OPĆA SIGURNOSNA UPOZORENJA ZA ELEKTRIČNE ALATE

⚠ UPOZORENJE! Pročitajte sva sigurnosna upozorenja, sve upute, ilustracije i specifikacije isporučene s ovim električnim alatom. Zanemarivanje svih uputa navedenih u nastavku može rezultirati strujnim udarom, požarom i/ili teškim ozljedama.

SAČUVAJTE SVA UPOZORENJA I SVE UPUTE ZA BUDUĆE POTREBE.

Pojam "električni alat" u upozorenjima odnosi se na vaš električni alat na strujni pogon (s kabelom) ili električni alat na baterijski pogon (bez kabela).

SIGURNOST RADNOG PODRUČJA

- Radno područje održavajte čistim i dobro osvijetljenim. Pretrpana ili mračna područja izazivaju nesreće.
- Električnim alatom ne rukujte u eksplozivnim atmosferama, primjerice u prisutnosti zapaljivih tekućina, plinova ili prašine. Električni alat stvara iskre koje mogu zapaliti prašinu ili isparenja.
- Djecu i promatrače držite podalje tijekom rada s električnim alatom. Ometanja mogu rezultirati gubitkom kontrole nad alatom.

ELEKTRIČNA SIGURNOST

- Utikači električnog alata moraju odgovarati utičnici. Nikad ne radite preinake utikača. Ne upotrebljavajte utikače adaptera s uzemljenim električnim alatima. Nepreinačeni utikači i odgovarajuće utičnice smanjit će rizik od strujnog udara.
- Izbjegavajte kontakt tijela s uzemljenim površinama, kao što su slavine, radijatori, peći i hladnjaci. Postoji povećan rizik od strujnog udara ako je vaše tijelo uzemljeno.
- Električni alat ne izlažite kiši ili mokrim uvjetima. Prodiranje vode u električni alat povećat će rizik od strujnog udara.
- Kabel ne upotrebljavajte nepropisno. Kabel nikad ne upotrebljavajte za nošenje, povlačenje ili odspajanje električnog alata od strujnog napajanja. Kabel držite podalje od topline, ulja, oštrih rubova ili pokretnih dijelova. Oštećeni ili isprepleteni kabeli povećavaju rizik od strujnog udara.
- Kad električnim alatom radite na otvorenom, upotrebljavajte produžni kabel prikladan za uporabu na otvorenom. Uporaba kabela prikladnog za uporabu na otvorenom smanjuje rizik od strujnog udara.
- Ako je rad s električnim alatom u vlažnom području neizbježan, upotrebljavajte napajanje sa zaštitnim uređajem diferencijalne struje. Uporabom zaštitnog uređaja

diferencijalne struje smanjuje se rizik od strujnog udara.

OSOBNA SIGURNOST

- Budite oprezni, gledajte što radite i upotrebljavajte uobičajeni osjećaj kad radite s električnim alatom. Električni alat ne upotrebljavajte kad ste umorni ili pod utjecajem droga, alkohola ili lijekova. Trenutak nepažnje tijekom rada s električnim alatima može rezultirati teškim osobnim ozljedama.
 - Upotrebljavajte osobnu zaštitnu opremu. Uvijek nosite zaštitu za oči. Zaštitna oprema poput maske za zaštitu od prašine, neklizajuće sigurnosne obuće, kacige ili zaštite za sluh upotrijebljena za prikladne uvjete smanjit će tjelesne ozljede.
 - Spriječite nenamjerno pokretanje. Prije spajanja na izvor napajanja i/ili komplet baterija, uzimanja ili nošenja alata uvjerite se da se prekidač nalazi u položaju isključenosti. Nošenje električnih alata s prstom na prekidaču ili napajanje električnih alata koji imaju uključen prekidač izaziva nesreće.
 - Prije uključivanja električnog alata uklonite sve ključeve za podešavanje ili ključeve. Ključ ili ključ za podešavanje ostavljen pričvršćen na rotacijski dio električnog alata može rezultirati tjelesnim ozljedama.
 - Ne prekoračujte vrijednosti. Cijelo vrijeme održavajte propisno držanje i ravnotežu. To će omogućiti bolju kontrolu nad električnim alatom u neočekivanim situacijama.
 - Oblačite se prikladno. Nemojte nositi široku odjeću i nakit. Kosu, odjeću i rukavice uvijek držite podalje od pokretnih dijelova. Široka odjeća, nakit ili duga kosa mogu se zahvatiti u pokretne dijelove.
 - Ako su uređaji namijenjeni za spajanje sustava za izvlačenje i sakupljanje prašine, pobrinite se da se propisno spoje i upotrebljavaju. Uporabom uređaja za sakupljanje prašine mogu se smanjiti opasnosti koje se odnose na prašinu.
 - Nemojte dopustiti da vas poznavanje alata stečeno čestom uporabom učini samodopadnim te da ignorirate sigurnosna načela za alat. Nemarne radnje mogu rezultirati teškim ozljedama u djeliću sekunde.
- ### UPORABA I NJEGA ELEKTRIČNOG ALATA
- Ne preopterećujte električni alat. Upotrebljavajte ispravan električni alat za svoju primjenu. Ispravan električni alat bolje će i sigurnije obaviti zadatak brzinom za koju je konstruiran.
 - Ne upotrebljavajte električni alat ako ga prekidač ne uključuje i isključuje. Svaki električni alat koji se ne može kontrolirati prekidačem opasan je i potrebno ga je popraviti.

- **Prije podešavanja, mijenjanja nastavaka ili spremanja alata izvadite utikač iz utičnice i/ili iz alata izvadite baterije.** Takve preventivne sigurnosne mjere smanjuju rizik od iznenadnog pokretanja električnog alata.
- **Nekorišteni električni alat skladištite izvan dohvata djece i ne dopustite osobama koje ne poznaju električni alat ili ove upute da rade s električnim alatom.** Električni alati opasni su u rukama neobučениh korisnika.
- **Održavajte električne alate i dodatnu opremu.** Proverite jesu li pokretni dijelovi centrirani ili spojeni, ima li polomljenih dijelova i postoji li stanje koje može utjecati na rad električnog alata. **Ako je oštećen, električni alat dajte na popravak prije uporabe.** Loše održavani električni alati uzrok su mnogih nesreća.
- **Rezne alate održavajte oštima i čistima.** Propisno održavani rezni alati s oštrim reznim rubovima vjerojatno se neće spajati i lakši su za upravljanje.
- **Električni alat, dodatnu opremu i alatne nastavke, itd., upotrebljavajte u skladu s ovim uputama, uzimajući u obzir radne uvjete i zadatak koji je potrebno obaviti.** Uporaba električnog alata za radove drukčija od namjenske može rezultirati opasnim situacijama.
- **Rukohvate i površinu rukohvata održavajte suhim, čistim i očišćenim od ulja i masti.** Skliski rukohvati i površine za hvatanje mogu dovesti do nesigurnog rukovanja i/ili gubitka nadzora nad alatom.

UPORABA I NJEGA BATERIJSKOG ALATA

- **Punjenje obavljajte samo s punjačem kojeg je naveo proizvođač.** Punjač koji je prikladan za jedan tip kompleta baterija može stvoriti rizik od požara ako ga se upotrebljava s drugim kompletom baterija.
- **Električni alat upotrebljavajte samo s izričito navedenim kompletima baterija.** Uporaba drugih kompleta baterija može stvoriti rizik od ozljeda i požara.
- **Kad se komplet baterija ne upotrebljava, držite ga podalje od drugih metalnih predmeta poput spajalica za papir, kovanica, ključeva, čavala, vijaka ili drugih malih metalnih predmeta koji mogu međusobno spojiti kontakte.** Kratko spajanje baterijskih kontakata može prouzročiti opekline ili požar.
- **U slučaju pogrešne uporabe baterija može izbaciti tekućinu; izbjegavajte kontakt. Ako slučajno dođe do doticaja, mjesta doticaja isperite vodom. Ako tekućina dođe u doticaj s očima, dodatno potražite pomoć liječnika.** Tekućina koju izbacila baterija može prouzročiti nadražaj kože ili opekline.
- **Ne upotrebljavajte oštećen ili preinačen komplet baterija ili alat.** Oštećene ili preinačene baterije mogu

- pokazati nepredvidivo ponašanje koje može rezultirati požarom, eksplozijom ili opasnošću od ozljeda!
- **Komplet baterija ili alat ne izlažite vatri ili previsokoj temperaturi.** Izlaganje vatri ili temperaturi višoj od 130 °C može prouzročiti eksploziju.
 - **Pridržavajte se svih uputa za punjenje i komplet baterija ili alat nemojte puniti izvan okvira temperaturnog raspona navedenog u uputama.** Nepropisno punjenje ili punjenje pri temperaturama izvan okvira određenog raspona može oštetiti bateriju i povećati opasnost od požara.

SERVISIRANJE

- **Servisiranje električnog alata prepustite kvalificiranom osoblju za popravak koje upotrebljava samo identične zamjenske dijelove.** Time će se osigurati održavanje sigurnosti električnog alata.
- **Nikad ne servisirajte oštećene komplete baterija.** Servisiranje kompleta baterija smiju obavljati samo proizvođač ili ovlašteni serviseri.

SIGURNOSNA UPOZORENJA ZA LANČANU PILU

- **Tijekom rada lančane pile sve dijelove tijela držite podalje od lanca pile. Prije pokretanja lančane pile uvjerite se da lanac pile ništa ne dotiče.** Trenutak nepažnje tijekom rukovanja lančanim pilama može prouzročiti da lanac zahvati vašu odjeću ili tijelo.
- **Lančanu pilu držite desnom rukom na stražnjem rukohvatu, a lijevom rukom na prednjem rukohvatu.** Držanje lančane pile s obrnutim rasporedom ruku povećava rizik od tjelesnih ozljeda i ne smije se nikad primjenjivati.
- **Lančanu pilu držite samo za izolirane površine za držanje jer lančana pila može dotaknuti skrivene kabele.** Lanci pile koji dotaknu kabel "pod naponom" mogu neizolirane metalne dijelove električnog alata dovesti "pod napon" i rukovatelja može pretrpjeti električni udar.
- **Nosite zaštitu za oči. Preporučujemo i korištenje druge zaštitne opreme za sluh, glavu, ruke, noge i stopala.** Odgovarajuća zaštitna odjeća smanjit će tjelesne ozljede uslijed letećih krhotina ili nenamjernog kontakta s lancem pile.
- **Nemojte raditi s lančanom pilom na drvetu, na ljestvama, na sljemenu krova ili na nekom drugom nestabilnom osloncu.** Korištenje lančane pile na taj način može rezultirati ozbiljnom tjelesnom ozljedom.

- **Uvijek održavajte propisno držanje i lančanu pilu upotrebljavajte samo kada stojite na čvrstoj, sigurnoj i ravnoj površini.** Skliske ili nestabilne površine kao što su ljestve mogu prouzročiti gubitak ravnoteže ili kontrole nad lančanom pilom.
- **Pri piljenju napete grane budite spremni na povratnu silu.** Kada se napetost u vlaknima drva oslobodi, napeta grana može udariti rukovatelja i/ili prouzročiti gubitak kontrole nad lančanom pilom.
- **Budite posebno oprezni pri piljenju grmlja i mladih grana.** Lanac pile može zahvatiti tanak materijal i odbaciti ga prema vama ili izbaciti vas iz ravnoteže.
- **Lančanu pilu nosite isključenu za prednji rukohvat i podalje od svog tijela. Kada lančanu pilu transportirate ili skladištite, uvijek stavite štitnik vodilice.** Propisno rukovanje lančanom pilom smanjit će vjerojatnost nenamjernog kontakta s lancem pile koji se kreće.
- **Pridržavajte se uputa za podmazivanje, zatezanje lanca i zamjenu pribora.** Nepropropisno zategnut ili podmazan lanac može puknuti ili povećati opasnost od povratnog udara.
- **Rukohvate održavajte suhim, čistim i očišćenim od ulja i masti.** Masni rukohvati zaprjani uljem su skliski i mogu prouzročiti gubitak kontrole.
- **Režite samo drvo. Lančanu pilu nemojte upotrebljavati za svrhe koje nisu namjenske. Na primjer: lančanu pilu nemojte upotrebljavati za rezanje plastike, zida ili građevinskih materijala koji nisu od drvna.** Uporaba lančane pile za radove drukčije od namjenskih može rezultirati opasnim situacijama.
- **Nemojte se upuštati u rušenje stabla ako ne razumijete rizike i načine da ih izbjegnute.** Moguća je ozbiljna ozljeda rukovatelja ili promatrača uslijed pada stabla.

UZROCI I PREVENCIJA POV RATNOG UDARA ZA RUKOVATELJA

Povratni udar može se dogoditi kada nos ili vrh vodilice dotakne predmet ili kada se lanac pile pri rezanju zaglavi i ostane u drvu (sl. A).

Kontakt s vrhom vodilice u nekim slučajevima može izazvati iznenadnu povratnu reakciju i odbaciti vodilicu prema gore i natrag prema rukovatelju (sl. B).

Zaglavljivanje lanca pile u gornjem području vodilice može rezultirati silovitim povratnim udarom vodilice u smjeru rukovatelja (sl. C).

Svaka od ovih reakcija može prouzročiti gubitak kontrole nad pilom, što može rezultirati teškim tjelesnim ozljedama. Nemojte se oslanjati isključivo na sigurnosne uređaje koji su ugrađeni u pili.

Kao korisnik lančane pile, morate poduzeti više koraka kojima

ćete spriječiti pojavu nezgode ili ozljede za vrijeme rezanja.

Povratni udar rezultat je nepravilne uporabe alata i/ili neispravnih radnih postupaka ili uvjeta i može se izbjeći poduzimanjem propisnih mjera opreza kako je navedeno u nastavku.

- **Održavajte čvrst zahvat s palčevima i prstima oko rukohvata lančane pile, s objema rukama na pili i pozicionirajte tijelo i ruku tako da se možete oduprijeti silama povratnog udara (sl. D).** Rukovatelj može kontrolirati sile povratnog udara ako se poduzmu odgovarajuće mjere opreza. Ne ispuštajte lančanu pilu iz ruku.
- **Nemojte se previše naginjati prema naprijed i nemojte rezati iznad visine ramena.** Tako ćete spriječiti nenamjerni kontakt vrha vodilice i omogućiti bolju kontrolu na lančanom pilom u neočekivanim situacijama.
- **Upotrebljavajte samo zamjenske vodilice i lance koje je naveo proizvođač.** Nepropropisne zamjenske vodilice i nepropisni zamjenski lanci mogu prouzročiti pucanje lanca i/ili povratni udar.
- **Pridržavajte se uputa za oštrenje i održavanje lanca pile koje je naveo proizvođač.** Smanjenje visine mjerača dubine može dovesti do jačeg povratnog udara.
- **Uvjerite se da je područje u kojem režete očišćeno od zapreka.** Nemojte dopustiti da nos vodilice dođe u doticaj s deblom, granom, ogradom ili bilo kojom drugom zaprekom u koju pila može udariti tijekom rada.
- **Uvijek režite s jedinicom pri punoj brzini.** Potpuno stisnite okidač i održavajte brzinu rezanja.
- **Osnovnim poznavanjem povratnog udara možete smanjiti ili eliminirati element iznenađenja.** Neočekivana iznenađenja pogoduju nesrećama.
- **Cijelo vrijeme održavajte propisno držanje i ravnotežu.**
- **Guranje i povlačenje –** Sila reakcije uvijek je suprotna smjeru kretanja lanca pri kontaktu s drvom. Rukovatelj stoga mora biti spreman da kontrolira POVLACENJE pri rezanju na donjem rubu vodilice i GURANJE pri rezanju duž gornjeg ruba (sl. E).

SIGURNOSNI UREĐAJI ZA ZAŠTITU OD POV RATNOG UDARA NA OVOJ LANČANOJ PILI

KOČNICA LANCA

Lančana pila isporučuje se opremljena kočnicom lanca koja zaustavlja motor i kretanje lanca u slučaju povratnog udara. Kočnica lanca može se aktivirati pomicanjem ručice kočnice lanca za povratni udar prema naprijed dok se pila okreće prema natrag tijekom povratnog udara. Kočnica lanca može se aktivirati i silama inercije koje se stvaraju tijekom brzog odgurivanja.

⚠ UPOZORENJE! Nemojte nikada obavljati preinake na kočnici lanca ili pokušavati da onemogućite kočnicu lanca.

Prije uporabe lančane pile uvjerite se da kočnica lanca propisno funkcionira. Ručica kočnice lanca za povratni udar treba se s lakoćom pomicati prema natrag i naprijed.

- Za provjeru rada kočnice lanca obavite sljedeće korake (sl. F):
- Stavite lančanu pilu na ravnu, čistu površinu i uvjerite se da u neposrednoj blizini nema predmeta ili zapreka koji bi mogli doći u doticaj s vodicom i lancem.
- Kočnicu lanca deaktivirajte povlačenjem ručice kočnice lanca za povratni udar prema prednjem rukohvatu.
- Pokrenite lančanu pilu.
- Gurnite ručicu kočnice lanca za povratni udar prema prednjoj strani pile. Propisnom funkcijom ručne kočnice odmah će se zaustaviti kretanje lanca. Ako kočnica lanca ne radi propisno, nemojte upotrebljavati lančanu pilu dok kvalificirani servisni tehničar ne popravi kočnicu lanca.

F-1	Ručica kočnice lanca za povratni udar u radnom položaju
F-2	Ručica kočnice lanca za povratni udar u položaju kočenja

⚠ UPOZORENJE! Prije svake uporabe uvjerite se da kočnica lanca propisno radi.

⚠ UPOZORENJE! Ako je kočnica lanca začepljena drvnim iverjem, funkcija kočnice lanca može oslabiti. Održavajte čistoću uređaja.

LANAC PILE S MALIM POVRATNIM UDAROM

Mjerači dubine ispred svakog rezača mogu smanjiti silu reakcije povratnog udara sprečavanjem pređubokog prodiranja rezača u zoni povratnog udara. Upotrebljavajte samo zamjenski lanac koji je ekvivalentan originalnom lancu ili koji je certificiran.

⚠ OPREZ! Budući da se lanci pile oštire tijekom njihovog korisnog radnog vijeka, gube kvalitetu funkcije malog povratnog udara te je potreban poseban oprez.

DODATNA UPOZORENJA

- Lančana pila predviđena je za uporabu s objema rukama. Rukovanje s jednom rukom može rezultirati teškim ozljedama rukovatelja, pomagača i/ili promatrača.

- Izbjegavajte nenamjerman doticaj s nepomičnim lancem pile ili tračnicama vodilice. Oni mogu biti vrlo oštri. Pri rukovanju lančanom pilom, lancem pile ili vodicom uvijek nosite rukavice i duge hlače ili zaštitne hlače.
- Nikad ne upotrebljavajte oštećenu ili nepropisno podešenu lančanu pilu ili lančanu pilu koja nije potpuno i sigurno sastavljena. Uvjerite se da se lanac pile zaustavlja nakon otpuštanja okidne sklopke.
- Prije piljenja pregledajte ima li na obratku čavala, žica ili drugih stranih tijela.
- Kod rezanja po duljini, prije rezanja osigurajte obradak. Kod obaranja ili obrezivanja identificirajte i osigurajte opasne grane.
- Agresivno ili nenamjensko piljenje ili nepropisna uporaba lančane pile može rezultirati prijevremenim habanjem vodilice, lanca i/ili lančanika, kao i pucanjem lanca ili vodilice, što može dovesti do povratnog udara, odbacivanja lanca ili izbacivanja materijala.
- Vodicu nemojte nikad upotrebljavati kao ručicu. Savijena vodilica može prouzročiti prijevremeno habanje vodilice, lanca i/ili lančanika, kao i pucanje lanca ili vodilice, što može rezultirati povratnim udarom, odbacivanjem lanca ili izbacivanjem materijala.
- Režite samo jedan po jedan obradak.
- Komplet baterija nemojte puniti na kiši ili mokrim mjestima.
- Planirajte rad, osigurajte radno područje bez zapreka, a u slučaju obaranja stabla najmanje jedan put za sklanjanje od padajućeg stabla.
- Kod obaranja stabla, promatrače držite podalje najmanje dvije duljine stabla.
- Ako se pojave situacije koje nisu obuhvaćene ovim priručnikom, postupite oprezno i uz dobru prosudbu. Za pomoć se obratite centru korisničke službe proizvođača EGO.

VODILICA

Ova pila isporučuje se opremljena vodicom koja ima mali polumjer vrha. Mali polumjer vrha u pravilu ima manji potencijal za povratni udar. Pri zamjeni vodilice naručite vodilicu navedenu u ovom priručniku.

SAČUVAJTE OVE UPUTE!

ელექტრული ხელსაწყო უსაფრთხოების ზოგადი მაჩვენებლები

▲ გაფრთხილება: გაეცანით ამ ელექტრულ ხელსაწყოთა დაკავშირებულ ყველა უსაფრთხოების მითითებას, ინსტრუქციას, ილუსტრაციას და სპეციფიკაციას. ქვემოთ ჩამოთვლილი ნებისმიერი ინსტრუქციის უგულბელობა შესაძლოა გამოიწვიოს ელექტრული შოკი, ხანძარი და/ან მოგაყენოთ სერიოზული ზიანი.

შეინახეთ ყველა მითითება და ინსტრუქცია სამომავლოდ გამოყენებისთვის.

ტერმინი „ელექტრული ხელსაწყო“ უსაფრთხოების ინსტრუქციაში შეესაბამება კსელიდან (სადენით) ან აკუმულატორით (უსადენო) მიღებულ დენზე მომუშავე ელექტრულ ხელსაწყოს.

სამუშაო არის უსაფრთხოება

- დაიცავით სამუშაო არის სისუფთავე და იქონიეთ კარგი განათება. ჩახერგილი ან ბნელი სამუშაო არე იწვევს ინციდენტებს.
- არ ამუშაოთ ელექტრული ხელსაწყო ჰაერში ფეთქებადი საშუალებების არსებობისას, როგორცაა აალებადი სითხეები, აირები ან მტვერი. ელექტრული ხელსაწყოები წარმოქმნიან ნაპერწკალს, რომელმაც შესაძლოა აანთოს მტვერი ან აირი.
- ელექტრული ხელსაწყოთი სარგებლობისას მთავრად მას ბავშვები და სხვა პირები. ყურადღების გაფანტვას შეუძლია გამოიწვიოს ხელსაწყოზე კონტროლის დაკარგვა.

ელექტრული უსაფრთხოება

- ელექტრული ხელსაწყოების დენის ჩანგალი უნდა ვრგობოდეს შტეფსელს. არასოდეს გაუკეთოთ მოდიფიცირება ხელსაწყოების დენის ჩანგალს. არ გამოიყენოთ ადაპტორები ისეთი ხელსაწყოების დენის ჩანგალზე, რომელსაც აქვს დამინება. არსებული დენის ჩანგალი და მისი შესაბამისი შტეფსელის არსებობა ამცირებს ელექტრული შოკის რისკს.
- მიერიდეთ სხელით დამინებული საგნების ზედაპირებთან კონტაქტს, როგორცაა მიწები, რადიატორები, ქერები და მაცივრები. ელექტრული შოკის მიღების რისკი იზრდება თუ თქვენს სხეული დამინებულია.

- არ დატოვოთ ელექტრული ხელსაწყოები წვიმაში ან სველ ადგილას. ელექტრული ხელსაწყოში შესული წყალი ზრდის ელექტრული შოკის მიღების რისკს.
- არ დააზიანოთ დენის სადენი. არასოდეს გამოიყენოთ სადენი ხელსაწყო სატარებლად, მოსაქაჩად ან შტეფსელიდან ამოსართველად. დაიცავით დენის სადენი სიმბურვალისგან, ზეთისგან, მჭრელი და მოძრავი საგნებისგან. დაზიანებული ან გადახარბული დენის სადენი ზრდის ელექტრული შოკის რისკს.
- ელექტრული ხელსაწყოთი გარეთ სარგებლობისას გამოიყენეთ დამაგრძელებელი, რომელიც გამოსადეგია გარეთ მუშაობისთვის. გარეთ მუშაობისთვის შესაბამისი ელექტრული სადენის გამოყენება ამცირებს ელექტრული შოკის რისკს.
- თუ ელექტრული ხელსაწყო ნესტიან გარემოში მუშაობა ვარაუდობა, გამოიყენეთ დამინებაზე დამოკლებისა ნრედის ამორთვის დაცვის მქონე (GFCI) კვების წყარო. GFCI წრედის ამორთვის დაცვის მქონე კვების გამოყენება ამცირებს ელექტრული შოკის რისკს.

პირადი უსაფრთხოება

- ხელსაწყო გამოიყენებისას იყავით ფეხბოლად, იმოქმედეთ დაკვირვებით და სალი აზრის გათვალისწინებით. არ გამოიყენოთ ხელსაწყო როდესაც ხართ დაღლილი, ან ალკოჰოლის, მედიკამენტების ან ნარკოტიკების ზემოქმედების ქვეშ. ხელსაწყოთი სარგებლობისას მყისიერად უყურადღებობამ შეიძლება მოგაყენოთ სერიოზული პირადი ზიანი.
- გამოიყენეთ პირადი დამცავი საშუალებები. ყოველთვის გაიკეთეთ თვალების დამცავი შესაბამისი სამუშაო პირობებში დამცავი საშუალებების გამოყენება, როგორცაა მტკრის საწინააღმდეგო ნიღაბი, მოცურების საწინააღმდეგო სპეც ფეხსაცმელი, მყარი ჩაფხუტი ან სმენის დამცავი, ამცირებს სამუშაო ტრამველს.
- უცაბედი ჩართვის ალკვეთა. დარწმუნდით რომ ჩამრთველი არის გამორთული პოზიციაში ხელსაწყოების დენში და/ ან აკუმულატორთან მიერთებამდე, ხელსაწყო მალა ანევაამდე ან ტარებამდე. ელექტრული ხელსაწყოების ტარება

ჩამრთველის დილაკზე დადებული თითით ან ხელსაწყოს დენში მიერთება, რომელსაც გააქტიურებული აქვს ჩართვის დილაკი, იწვევს ინციდენტებს.

- მოხსენით ნებისმიერი დამაგრებელი მარეგულირებელი ხელსაწყო ან ქანჩის გასაღები ჩართვამდე. ელექტრული ხელსაწყოს მბრუნავ ნაწილზე დამაგრებულმა ქანჩის გასაღებმა ან სხვა მარეგულირებელმა შესაძლოა მოგაყენოთ პირადი ზიანი.
- არ გადაიხაროთ. ყოველთვის დაიცავით ბალანსი და მყარად იდევით ფეხზე. ეს გაძლევთ საშუალებას მოახდინოთ ხელსაწყოს უკეთესი კონტროლი მოულოდნელ სიტუაციებში.
- ჩაიცვით შესაბამისად. არ ჩაიცვათ განიერი, ფრიალა ტანსაცმელი და ძვირფასეულობა. მოაცილოთ თქვენი თმა, ტანსაცმელი და ხელთათმანები მოძრავ ნაწილებს. განიერი, ფრიალა ტანსაცმელი, ძვირფასეულობა და თმა შესაძლოა ჩაითრიოს მოძრავმა ნაწილებმა.
- თუ არსებობს მტერის ან ნარჩენების შემგროვებელი საშუალებების შეერთების ადგილები, დარწმუნდით რომ ისინი სწორადაა დაკავშირებული და გამოყენებული. მტერისთვის განკუთვნილი საშუალებების გამოყენებამ შესაძლოა შეამციროს მასთან დაკავშირებული საფრთხეები.
- შეეცადეთ მსგავს ხელსაწყოებთან ხშირი მუშაობის გამოცდილებამ არ გამოიწვიოს თქვენი უზრუნველობა და არ გაუკეთოთ ხელსაწყოს უსაფრთხოების პრინციპებს იგნორირება. უგულისყრო საეციელმა წამის მეათედშიც კი შესაძლოა მოგიტანოთ სერიოზული ზიანი.

ელექტრული ხელსაწყოს გამოყენება და მოვლა

- არ დაატანოთ ძალა ხელსაწყოს. გამოიყენეთ სწორი ხელსაწყო თქვენი მიზნებისთვის. სწორი ხელსაწყო უკეთ და უფრო უსაფრთხოდ გააკეთებს იმ საქმეს, რომლისთვისაც განკუთვნილია იგი.
- არ გამოიყენოთ ხელსაწყო თუ ჩამრთველი არ რთავს ან თიშავს მას. ნებისმიერი ხელსაწყო, რომელიც ვერ კონტროლდება ჩამრთველით, სახიფათოა და საჭიროებს შეკეთებას.
- გათიშეთ დენის ჩანგალი მტვესელიდან და/

ან მოხსენით აკუმულატორი ხელსაწყოს ნებისმიერი რეგულირებისას, ნაწილის ცვლილებისას ან ხელსაწყოს შენახვამდე. მსგავსი პრევენციული უსაფრთხოების ზომები ამცირებს ელექტრული ხელსაწყოს უცაბედი ჩართვის რისკს.

- გათიშული ელექტრული ხელსაწყოები შეინახეთ ბავშვებისთვის მიუვლომელ ადგილას და არ მისცეთ ხელსაწყოს გამოყენების უფლება მისით სარგებლობის არმცოდნე ან მის ინსტრუქციაში ჩაუხედავ პირებს. ელექტრული ხელსაწყოები გამოუცდელი პირების ხელში სახიფათოა.
- მოუარეთ ელექტრულ ხელსაწყოებს და მის ნაწილებს. შეამოწმეთ მოძრავი და შემაკავშირებელი ნაწილების ურთიერთნაწილგვლება, ნაწილების დაზიანება და სხვა მდგომარეობა, რომელმაც შეიძლება გავლენა იქონიოს ხელსაწყოს მუშაობაზე. დაზიანების შემთხვევაში შეაკეთეთ ხელსაწყო გამოყენებამდე. ბევრი ინციდენტი გამოწვეულია ცუდად მოვლილი ელექტრო ხელსაწყოების გამო.
- მჭრელი ხელსაწყოები იქონივთ სუფთა და ბასრი მდგომარეობაში. სწორად მოვლილი ბასრი დანის პირის მქონე მჭრელი ხელსაწყოების გახლართვა ნაკლებად ალბათურია და მათი კონტროლიც გაადვილებულია.
- გამოიყენეთ ეს ხელსაწყო, მისი ნაწილები, მათი დამჭერები და ა.შ. ინსტრუქციის მიხედვით, სამუშაო გარემოს და სამუშაოს ტიპის ვათვალისწინებით. ელექტრული ხელსაწყოს არადანიშნულენისამებრ გამოიყენებამ შესაძლოა შექმნას სახიფათო სიტუაცია.
- იქონიეთ სახელურები და სხვა ხელის ჩასაჭიდი ზედაპირები მშრალ და სუფთა, მათ შორის ცხიმისა და ზეთისგან თავისუფალ მდგომარეობაში. სრიალა სახელურებმა და ხელის ჩასაჭიდმა ზედპირებმა შესაძლოა შექმნას სახიფათო სამუშაო პროცესი და/ან გამოიწვიოს ხელსაწყოზე კონტროლის დაკარგვა.

აკუმულატორის გამოყენება და მოვლა

- დატენიეთ მხოლოდ მწარმოებლის მიერ მითითებული დამტენი მონწყობილობით. დამტენმა მოწყობილობამ, რომელიც თავსებადია ერთი ტიპის აკუმულატორთან, შესაძლოა წარმოშვას ხანძრის გაჩენის რისკი სხვა აკუმულატორზე გამოყენებისას.

KA

- გამოიყენეთ ელექტრული ხელსაწყოები მხოლოდ სპეციალურად აღნიშნული აკუმულატორებით. სხვა აკუმულატორების გამოყენებამ შესაძლოა წარმოშვას ფიზიკური დაზიანების ან ხანძრის რისკი.
 - როდესაც აკუმულატორს არ იყენებთ, მოაცილეთ იგი ლითონის საგნებს, როგორცაა ქაღალდის კლიპი, მონეტა, გასაღები, ლურსმანი, ხრახნი ან სხვა მცირე ზომის ლითონის საგნები, რომელთაც შეუძლიათ აკუმულატორის კონტაქტების დამოკლება. აკუმულატორის კონტაქტების დამოკლებამ შესაძლოა გამოიწვიოს დამწვრობა ან ხანძარი.
 - არასწორი მოპყრობის შემთხვევაში სითხემ შესაძლოა გამოჟონოს აკუმულატორიდან; მოერიდეთ მასთან შეხებას. თუ შემთხვევით შეეხეთ სითხეს, ჩამოიბანეთ წყლით. თუ სითხე მოხვდა თვალებში, მიმართეთ ექიმს. აკუმულატორიდან გამოჟონილმა სითხემ შესაძლოა გამოიწვიოს გაღიზიანება ან დამწვრობა.
 - არ გამოიყენებთ აკუმულატორი ან ხელსაწყო, რომელიც დაზიანებული ან გადაკეთებულია. დაზიანებულმა ან გადაკეთებულმა აკუმულატორმა შესაძლოა გამოავლინოს არაპროგნოზირებადი ქცევა, რამაც შეიძლება გამოიწვიოს ხანძარი, აფეთქება ან პირადი ზიანი.
 - არ მოათავსოთ აკუმულატორი ან ხელსაწყო ცეცხლში ან მაღალ ტემპერატურულ გარემოში. 130 °C-ზე მაღალმა ტემპერატურამ შესაძლოა გამოიწვიოს აფეთქება.
 - მიყევით დატენის ინსტრუქციებს და არ დატენოთ აკუმულატორი ინსტრუქციაში მითითებული ტემპერატურული დიაპაზონის გარეთ. არასწორი დატენვა ან და აკუმულატორის დატენვა ინსტრუქციაში მითითებული ტემპერატურული დიაპაზონის გარეთ ზრდის ხანძრის რისკს.
- ### ტექნიკური სერვისი
- ხელსაწყოს ტექნიკური სერვისი შესრულებინეთ კვალიფიციურ პირს მხოლოდ იდენტიური სათადარიგო ნაწილების გამოყენებით. მსგავსი პროცედურა უზრუნველყოფს ხელსაწყოს უსაფრთხოდ მუშაობას.
 - არასოდეს შეაკეთოთ დაზიანებული აკუმულატორები. აკუმულატორების სერვისი მხოლოდ მწარმოებლის ან

ავტორიზებული სერვისის მომწოდებლის მიერ არის შესაძლებელი.

ჯაჭვური ხერხის უსაფრთხოების მითითებები

- მოაცილეთ სხეულის ყველა ნაწილი ხერხის ჯაჭვს ხელსაწყოს გამოყენებისას. ხერხის ჩართვამდე დარწმუნდით რომ მისი ჯაჭვი არ ეხება რაიმეს. ჯაჭვური ხერხით სარგებლობისას მყისიერად უყურადღებობამ შეიძლება გამოიწვიოს თქვენი ტანსაცმლის ან სხეულის ნაწილის ჩართვა ჯაჭვის მიერ.
- ყოველთვის დაიჭირეთ ჯაჭვური ხერხი ორივე ხელით, მოათავსეთ მარჯვენა ხელი უკან სახელურზე, ხოლო მარცხენა ხელი - წინა სახელურზე. ჯაჭვური ხერხის დაჭერა ხელებით გადანაცვლებულ პოზიციაში ზრდის პირადი ზიანის მიყენების რისკს და დაუსშებელია.
- დაიჭირეთ ჯაჭვური ხერხი მხოლოდ ხელისჩასაჭიდებელი ადგილებით, რადგან იგი შეიძლება შეხვდეს დაფარულ დენის გაყვანილობას. ხერხის ჯაჭვმა, რომელიც შეეხება "ცოცხალ" მავთულს, შეიძლება გამოიწვიოს ელექტრონული ხელსაწყოთა ლითონის ნაწილებში დენის გავლა და ამით ოპერატორს ელექტრო შოკის მიღება შეუძლია.
- ვაკეთებთ თვალის დამცავები. რეკომენდებულია სმენის, თავის, ხელების და ფეხების დამცავი მოწყობილობის გამოყენება. სათანადო დამცავი ტანსაცმელი შეამცირებს პირად დაზიანებას მფრინავი ნამსხვრევებით ან ხერხის ჯაჭვთან შემთხვევით კონტაქტს.
- არ დაუშვათ ჯაჭვის ხერხით ხეზე, კიბეზე, სახურავზე ან სხვა არასტაბილური საყრდენზე მუშაობა. ხერხის ასეთმა გამოყენებამ შეიძლება გამოიწვიოს სერიოზული დაზიანება.
- ყოველთვის დაიცავით ბალანსი მყარად ფეხზე და გამოიყენეთ ჯაჭვური ხერხი მხოლოდ მაშინ, როდესაც დგახართ ფიქსირებულ, უსაფრთხო და სწორ მდგაპირზე. სრიალა ან არასტაბილურმა ზედაპირებმა, როგორცაა კიბე, შესაძლოა გამოიწვიოს ბალანსის ან ჯაჭვურ ხერხზე კონტროლის დაკარგვა.
- იყავით ყურადღებით დაჭიმული ხის ტოტის ჭრისას, რადგან ამან შეიძლება ტოტი უკან გამოიქნოს. როდესაც ხის ბოჭკოებში არსებული დაჭიმულობა იხსნება დატვირთული ტოტი შესაძლოა შეეჯახოს მომხმარებელს და/ან კონტროლი

KA

დაგაკარგვინოთ ჯაჭვურ ხერხზე.

- დაიცავით განსაკუთრებული სიფრთხილე როდესაც ჭრით ბუჩქს ან ნორჩ ხეებს. თხელი ტოტები შესაძლოა ჩაითრიოს ხერხის ჯაჭვმა და ისინი თქვენსკენ გამოტყორცნოს ან დაკარგვინოთ ბალანსი.
- ატარეთ ჯაჭვური ხერხი წინა სახეულით, გათიშულ მდგომარეობაში მყოფი ხერხით და თქვენი სხეულისგან მოშორებით. როდესაც ახდენთ ჯაჭვური ხერხის შენახვას ან ტრანსპორტირებას, ყოველთვის მოაყვით ძელს დამცავი შალითა. ჯაჭვური ხერხის სწორი მოაყრობა შეამცირებს მოძრავ ხერხთან უნებლიე კონტაქტის ალბათობას.
- მისდით შეზეთვის, ჯაჭვის დაჭიმვის და ნაწილების შეცვლის ინსტრუქციებს. არასწორად გაჭიმული ან შეზეთილი ჯაჭვი შესაძლოა გაწყდეს ან გაზარდოს უკუცემის შანსი.
- იქონიეთ სახელურები მშრალ და სუფთა, მათ შორის ცხიმისა და ზეთისგან, მდგომარეობაში. ცხიმიანი, ზეთიანი სახელურები არის სრიალა და იწვევს კონტროლის დაკარგვას ხელსაწყოზე.
- გაჭერით მხოლოდ ხის მასალა. არ გამოიყენოთ ჯაჭვური ხერხი ისეთი სამუშაოსთვის, რომლისთვისაც იგი არაა განკუთვნილი. მაგალითად: არ გამოიყენოთ ჯაჭვური ხერხი პლასტმასის, თიხის ან სხვა სამშენებლო მასალის გასახერხად, რომელიც ხისგან არაა დამზადებული. ჯაჭვური ხერხის არადანიშნულებისამებრ გამოყენებამ შესაძლოა შექმნას სახიფათო სიტუაცია.
- არ შეეცადოთ ხის მოჭრას, სანამ არ გაცნაობთ რისკებს და იმ გზებს, თუ როგორ აიცილოთ თავიდან ისინი. მომხმარებელმა ან გვერდით მდგომმა ადამიანმა შეიძლება მიიღოს სერიოზული დაზიანება ხის მოჭრის დროს.

უკუცემის გამოწვევი მიზეზები და მომხმარებლის მიერ მათი პრევენცია

უკუცემა შესაძლოა მოხდეს როცა ხერხის ძელის ცხვირი ან წვერი შეეხება სხვა საგანს, ან როცა ხე ჩაიკეტება და ჩაიყოლებს ხერხის ჯაჭვს განაქერში (ნახ. A).

წვერის შეხებამ ზოგიერთ შემთხვევაში შესაძლოა გამოიწვიოს უცაბედი უკურეაქცია,

გამოაგდოს ხერხის ძელი მაღლა ან უკან მომხმარებლისკენ (ნახ. B).

ძელის თავში არსებული ხერხის ჯაჭვის ჩაყოლამ შესაძლოა სწრაფად გამოაგდოს ძელი მომხმარებლის მიმართულებით (ნახ. C).

ამ მოქმედებებიდან ნებისმიერმა შეიძლება დაგაკარგვინოთ კონტროლი ხერხზე, რამაც შესაძლოა მოგაყენოთ სერიოზული პირადი ზიანი. არ დაეყრდნოთ მხოლოდ თქვენ ხელსაწყოებში დამონტაჟებულ უსაფრთხოების ზომებს.

როგორც ჯაჭვური ხერხის მომხმარებელმა, თქვენ უნდა გადადგათ გარკვეული ნაბიჯები, რათა უზრუნველყოთ თქვენი სამუშაოს უსაფრთხოება ინციდენტებისა და ფიზიკური დაზიანებისგან.

უკუცემა არის გამოწვეული ხელსაწყოს არასათანადო გამოყენებისა და/ან არასწორი სამუშაო პროცედურებისა და გარემოებების გამო. ამის თავიდან არიდება შესაძლებელია შესაბამისი უსაფრთხოების ზომების მიღებით, რომლებიც ჩამოთვლილია ქვევით:

- მჭიდროდ ჩაჭიდეთ ხელი ხელსაწყოს, ცერა და დანარჩენი თითები შემოაჭდეთ ჯაჭვური ხერხის სახელურებს, ორივე ხელით ხერხზე და მოიყვანეთ სხეული ისეთ მდგომარეობაში რომ გაუძლოთ უკუცემის ძალას (ნახ. D). უკუცემის ძალების კონტროლირება შესაძლებელია მომხმარებლის მიერ თუ სწორი უსაფრთხოების ნორმები არის დაცული. ხელი არ გაუშვათ ჯაჭვურ ხერხს.
- არ გადაიხაროთ და არ ჭრათ თქვენი მხრის სიმაღლეზე ზევით. ეს აგარიდებთ წვერის უცაბედ შეხებას და მოგცემთ საშუალებას მოახდინოთ ჯაჭვური ხერხის უკეთესი კონტროლი მოულოდნელ სიტუაციებში.
- გამოიყენეთ მხოლოდ მწარმოებლის მიერ მითითებული ხერხის ძელი და ჯაჭვი. არასწორმა ძელისა და ჯაჭვის დამონტაჟებამ შესაძლოა გამოიწვიოს ჯაჭვის გაწყვეტა და/ან უკუცემა.
- მისდით მწარმოებლის მითითებებს ხერხის ჯაჭვის ვალესისა და მოვლის შესახებ. ჯაჭვის სისქის ან სიმაღლის ცვლილებამ შესაძლოა გაზარდოს უკუცემის ეფექტი.

KA

- დარწმუნდით რომ არე, სადაც აპირებთ ჭრის განხორციელებას, თავისუფალია დაბრკოლებებისგან. არ მისცეთ საშუალება ხერხის წვერი შეეხოს მორს, ტოტს, ღობეს ან სხვა რაიმე დაბრკოლებას, რომელსაც შესაძლოა მოხვდეს ხერხი თქვენი მუშაობის პროცესში.
- ყოველთვის ვაჭერით მხოლოდ როცა ხელსაწყო სრული სიჩქარით მუშაობს. სრულად დააწეეთ ჩამრთველ ტრიგერს და შეინარჩუნეთ ასეთი ჭრის სიჩქარე.
- უკუცემის ძირითადი პრინციპის გაცნობით თქვენ შეგიძლიათ შეამციროთ ან გააქროთ უკუცემის დროს სიურპრიზის ელემენტი. მსგავსი სიურპრიზები იწვევს ინციდენტებს.
- ყოველთვის დაიცავით ბალანსი და მყარად იდევით ფეხზე.
- დაანეჭით და მოქაჩეთ - რეაქციის ძალა ყოველთვის მიმართულია ხერხის მოძრაობის საპირისპიროდ, იქ სადაც ხდება მას და ხეს შორის შეხება. ამრიგად, მომხმარებელი უნდა იყოს მზად რომ აკონტროლოს მოქაჩვა როცა ჭრის ძელის ქვედა ნაწილით და აკონტროლოს დაწოლა როცა ჭრის ხერხის ძელის ზედა კიდეთი (ნახ. E).

ამ ჯაჭვურ ხერხზე არსებული უკუცემის უსაფრთხოების მონაცემილოები ჯაჭვის მუხრუჭი

ჯაჭვურ ხერხზე დამონტაჟებული ჯაჭვის მუხრუჭი, რომელიც აჩერებს მოტორისა და ჯაჭვის მოძრაობას უკუცემისას. ჯაჭვის მუხრუჭის აქტივირება შესაძლებელია ჯაჭვის უკუცემის მუხრუჭის სახელურის წინ მოძრაობით როცა ხერხი მოძრაობს უკუ მიმართულებით უკუცემისას; მისი აქტივირება ასევე შესაძლებელია მოხდეს სწრაფი რეაქციული დაწოლისას წარმოქმნილი ინერციული ძალების მიერ.

⚠ გაფრთხილება: არასდროს გადააკეთოთ ან გააუქმოთ ჯაჭვის მუხრუჭი.

დარწმუნდით რომ ჯაჭვის მუხრუჭი მართებულად მუშაობს ჯაჭვური ხერხის გამოყენებამდე. ხერხის უკუცემის მუხრუჭის სახელური უნდა მოძრაობდეს წინ და უკან ადვილად.

- ხერხის მუხრუჭის მუშაობის შესამოწმებლად შეასრულეთ შემდეგი ნაბიჯები (ნახ. F):

- მოათავსეთ ჯაჭვური ხერხი ბრტყელ ზედაპირზე და დარწმუნდით რომ ხერხითან რაიმე სხვა საგანი ან დაბრკოლება არ მოვა ახლო კონტაქტში.
- აუშვით ჯაჭვის მუხრუჭი ხერხის უკუცემის მუხრუჭის სახელურის ხერხის წინა სახელურისკენ გადაწევათ.
- ჩართეთ ჯაჭვური ხერხი.
- დააწეეთ ხერხის უკუცემის მუხრუჭის სახელურს ხერხის წინა მხრივ. მართებულად მომომავე ხელის მუხრუჭი დაუფრთხილვით შეაჩერებს ჯაჭვის მოძრაობას. თუ ჯაჭვის მუხრუჭი არ მუშაობს სწორად, არ გამოიყენოთ ჯაჭვური ხერხი სანამ მას არ შეაკეთებთ კვალიფიციური სერვისის ტექნიკოსი.

F-1	ხერხის უკუცემის მუხრუჭის სახელური მუშა პოზიციაში
F-2	ხერხის უკუცემის მუხრუჭის სახელური სამუხრუჭე პოზიციაში

⚠ გაფრთხილება: დარწმუნდით რომ ჯაჭვის მუხრუჭი მართებულად მუშაობს ჯაჭვური ხერხის ყოველი გამოყენების წინ.

⚠ გაფრთხილება: თუ ჯაჭვის მუხრუჭში გაიჭედება ხის ნაფოტები, მისი ფუნქცია შესაძლოა დეგრადირდეს. ყოველთვის სუფთად შეინარჩუნეთ ხელსაწყო.

მცირე უკუცემის მქონე ხერხის ჯაჭვი

გამწმენდმა კბილანებმა (სიღრმის ნიშნულებმა) ყოველი მჭრელი კბილის წინ შესაძლოა შეამციროს უკუცემის რეკცია მჭრელი კბილის უკუცემის ზონაში ჩასობის ზომის შემცირების გზით. გამოიყენეთ მხოლოდ ისეთი ჯაჭვი რომელიც ექვივალენტურია ორიგინალურის ან სერთიფიცირებულია ხერხის ჯაჭვის შეცვლისას.

⚠ ყურადღება: რადგან ხერხის ჯაჭვები ილესება მათი ტექნიკური ვადის განმავლობაში, ისინი კარგავენ საკუთარ უნარს ჰქონდით მცირე უკუცემის ეფექტი, შესაბამისად გამოიჩინეთ დამატებითი სიფრთხილე.

KA

დამატებითი გაფრთხილებები

- ჯაჭვური ხერხი განკუთვნილია ორივე ხელით ექსპლუატაციისთვის. ერთი ხელით ხელსაწყოს გამოყენებამ შესაძლოა მიაყენოს სერიოზული ზიანი მომხმარებელს, დამხმარეს ან სხვა გარემუ პირს.
- მოერიდეთ გაჩერებული ჯაჭვზე ანდა ძეღზე არსებულ რელსებთან უნებლო შეხებას. ისინი საკმაოდ ზასრია. ჩაიცვით ხელთათმანები და სამუშაო გრძელი შარვალი როდესაც ეპყრობით ჯაჭვურ ხერხს, ხერხის ჯაჭვს ან მის ძელს.
- არასოდეს გამოიყენოთ დაზიანებული ან არაზუსტად გასწორებული ჯაჭვური ხერხი, რომელიც არ არის სრულად და უსაფრთხოდ აწყობილი. დარწმუნდით რომ ხერხის ჯაჭვი ჩერდება, როდესაც ტრიგერს უშვებთ ხელს.
- შეამოწმეთ სამუშაო არე ლურსმანზე, სადენზე ან სხვა უცხო სხეულების არსებობაზე ჭრის პროცესის დაწყებამდე.
- როდესაც ხერხავთ ძელს, დაამაგრეთ იგი ჭრის დაწყებამდე. ხეების მოჭრისას ან გასხვივისას, მოახდინეთ სახიფათო ტოტების იდენტიფიცირება და დამაგრება.
- ჯაჭვური ხერხის ავრესიულმა და შეუბრალებელმა მოპყრობამ და ჭრის ტექნიკამ შესაძლოა გამოიწვიოს ძელის, ჯაჭვის, და/ან კბილანას ადრეული ცვეთა, ასევე ჯაჭვის განყვეტა ან ძელის დაზიანება, რაც გამოიწვევს უკუცემას, ჯაჭვის და უცხო სხეულების გამოტყორცნას.

- არასოდეს გამოიყენოთ ძელი როგორც ბერკეტი. მოღუნულმა ძელმა შესაძლოა გამოიწვიოს ძელის, ჯაჭვის, და/ან კბილანას ადრეული ცვეთა, ასევე ჯაჭვის განყვეტა ან ძელის დაზიანება, რაც გამოიწვევს უკუცემას, ჯაჭვის და უცხო სხეულების გამოტყორცნას.
- გახერხეთ მხოლოდ ერთი ობიექტი ერთ ჯერზე.
- არ დატენოთ აკუმულატორი წვიმამ ან სველ არეში.
- დავემეთ სამუშაო, დარწმუნდით რომ სამუშაო არე დაბრკოლებების გარეშე და ხის მოჭრის შემთხვევაში შეარჩიეთ მინიმუმ ერთი გასაქცევი გზა, რათა მოერიდოთ ხის დაცემის ადგილს.
- ხის მოხერხვის შემთხვევაში მთარიდეთ გარემუ პირები მინიმუმ ხის სიმაღლის ორმაგ მანძილზე.
- თუ ისეთი სიტუაცია შეიქმნა, რომელიც არაა აღწერილი ინსტრუქციაში, გამოიყენეთ სალი აზრი და მიიღეთ ფრთხილი გადაწყვეტილებები. მიმართეთ EGO-ს კლიენტთა მომსახურების ცენტრს დახმარებისთვის.

ხერხის ძელი

ხერხზე დამონტაჟებულია ძელი, რომელსაც აქვს მცირე რადიუსის ცხვირი. მცირე რადიუსის ცხვირს აქვს ნაკლები პოტენციური უკუცემის პრობლემა. შესაცვლელი ძელის შეკვეთისას დარწმუნდით რომ მომხმარებლის ინტრუქციაში მითითებულ ძელს ირჩევთ.

შეინახეთ ეს მომხმარებლის ინსტრუქცია!

OPŠTA SIGURNOSNA UPOZORENJA ZA ELEKTRIČNI ALAT

⚠ UPOZORENJE: Pročitajte sva sigurnosna upozorenja, uputstva, ilustracije i specifikacije priložene uz ovaj električni alat. Nepridržavanje svih dole navedenih uputstava može da dovede do strujnog udara, požara i/ili ozbiljne povrede.

SAČUVAJTE SVA UPOZORENJA I UPUTSTVA ZA BUDUĆU UPOTREBU.

Pojam „električni alat“ u upozorenjima označava električni alat (sa žicom) koji se uključuje u utičnicu ili električni alat (bežični) na baterije.

BEZBEDNOST NA RADNOM PODRUČJU

- Održavajte radno područje čistim i dobro osvetljenim. Na pretrpanim ili mračnim područjima su veće šanse da dođe do nezgoda.
- Ne koristite električne alate u eksplozivnim atmosferama, kao na primer u prisustvu zapaljivih tečnosti, gasova ili prašine. Električni alat stvara varnice koje mogu zapaliti prašinu ili isparenja.
- Držite decu i prolaznike podalje dok koristite električni alat. Ako vam neko odvrat pažnju, možete izgubiti kontrolu.

ELEKTRIČNA BEZBEDNOST

- Utikač električnog alata mora odgovarati utičnici. Nikada ne modifikujete utikač ni na koji način. Ne koristite adapterske utikače sa uzemljenim električnim alatom. Nemodifikovani utikači i odgovarajuće utičnice će smanjiti rizik od strujnog udara
- Izbegavajte kontakt delova tela sa uzemljenim površinama, poput cevi, radijatora, šporeta i frižidera. Postoji povećan rizik od strujnog udara ako je vaše telo uzemljeno.
- Ne izlažite električne alate kiši ili mokrim uslovima. Voda koja uđe u električni alat povećaće rizik od strujnog udara.
- Nemojte zloupotrebljavati kabl. Nikada ne koristite kabl za nošenje, vučenje ili isključivanje iz utičnice električnog alata. Čuvajte kabl podalje od toplote, ulja, oštih ivica ili pokretnih delova. Oštećen ili upetljan kabl povećava rizik od strujnog udara.
- Kada koristite električni alat na otvorenom prostoru, koristite produžni kabl pogodan za korišćenje na otvorenom prostoru. Upotreba kabla pogodnog za korišćenje na otvorenom prostoru smanjuje rizik od strujnog udara.
- Ako je korišćenje električnog alata na vlažnom

mestu neizbežno, koristite izvor napajanja sa zaštitnim uređajem diferencijalne struje. Korišćenje GFCI smanjuje rizik od strujnog udara.

LIČNA BEZBEDNOST

- Ostanite u pripravnosti, pazite šta radite i koristite zdrav razum kada koristite električni alat. Ne koristite električni alat kada ste umorni ili pod uticajem droga, alkohola ili lekova. Trenutak nepažnje kada koristite električni alat je dovoljan da izazove ozbiljne telesne povrede.
- Koristite ličnu zaštitnu opremu. Uvek nosite zaštitu za oči. Zaštitna oprema poput maske za prašinu, radnih cipela koje se ne klizu, šlema ili zaštite sluha će, kada se koristi za odgovarajuće uslove, smanjiti telesne povrede.
- Sprečite slučajno pokretanje. Osigurajte da prekidač bude u isključenom položaju pre povezivanja na izvor napajanja i/ili bateriju, podizanja ili nošenja alata. Nošenje električnih alata sa prstom na prekidaču ili uključivanje u utičnicu električnih alata čiji prekidač je u uključenom položaju priziva nezgode.
- Uklonite sve ključeve za podešavanje pre uključivanja električnog alata. Ključ koji ostane pričvršćen za rotacioni deo električnog alata može da izazove telesnu povredu.
- Ne presežite. U svakom trenutku održavajte pravilan položaj nogu i ravnotežu. To omogućava bolju kontrolu električnog alata u neočekivanim situacijama.
- Prikladno se obucite. Ne nosite labavu odeću niti nakit. Držite kosu, odeću i rukavice dalje od pokretnih delova. Labava odeća, nakit ili duga kosa mogu da se zakače pokretnim delovima.
- Ako su priloženi uređaji za povezivanje delova za izbacivanje i prikupljanje prašine, osigurajte da oni budu povezani i da se pravilno koriste. Upotreba uređaja za prašinu može da smanji opasnosti koje izaziva prašina.
- Ne dozvolite da zbog poznavanja koje ste stekli kroz čestu upotrebu alata postanete samozadovoljni i ignorišete principe bezbednosti alata. Nemami postupak može da izazove ozbiljnu povredu u deliću sekunde

UPOTREBA I ODRŽAVANJE ELEKTRIČNOG ALATA

- Ne silite električni alat. Koristite odgovarajući električni alat za ono što radite. Odgovarajući električni alat uradiće posao bolje i bezbednije onom brzinom za koju je dizajniran.
- Ne koristite električni alat ako ga prekidač ne uključuje i isključuje. Svaki električni alat koji se ne može kontrolisati prekidačem je opasan i mora se popraviti.

- **Odvojite utikač iz izvora napajanja i/ili bateriju iz električnog alata pre bilo kakvog podešavanja, menjanja podataka ili skladištenja električnog alata.** Takve preventivne sigurnosne mere smanjuju rizik od nehotičnog pokretanja električnog alata.
- **Skladištite isključene električne alate van domašaja dece i ne dozvolite osobama koje nisu upoznate sa ovim električnim alatom ili ovim uputstvom da rukuju električnim alatom.** Električni alat je opasan u rukama nekvalifikovanih korisnika.
- **Održavajte električni alat i dodatke.** Proverite pravilno poravnanje ili spojeve pokretnih delova, lomljenje delova i sva druga stanja koja mogu da utiču na rad električnog alata. Ako je oštećen, odnesite električni alat na popravku pre upotrebe. Mnoge nezgode su izazvane loše održanim električnim alatom.
- **Održavajte alate koji seku oštrim i čistim.** Pravilno održavani alati za sečenje sa oštrim ivicama za sečenje se ređe zapetljavaju i lakše se kontrolišu.
- **Koristite električni alat, dodatke, delove itd. u skladu sa ovim uputstvom, uzimajući u obzir radne uslove i rad koji treba obaviti.** Korišćenje električnog alata za rad drugačiji od predviđenog moglo bi da dovede do opasne situacije.
- **Održavajte drške i površine koje hvatate suvim, čistim i bez ulja i masnoće.** Klizave drške i površine koje hvatate mogu dovesti do nebezbednog rukovanja i/ili gubitka kontrole nad alatom.

UPOTREBA I ODRŽAVANJE ALATA NA BATERIJE

- **Punite samo punjačem koji navodi proizvođač.** Punjač koji je prikladan za jedan tip baterije može da stvori opasnost od požara kad se koristi sa drugom baterijom.
- **Koristite električni alat samo sa konkretno imenovanim baterijama.** Upotreba bilo kakvih drugih baterija može da stvori rizik od povrede i požara.
- **Kad se baterija ne koristi, držite je dalje od drugih metalnih predmeta, poput spajalica, novčića, ključeva, eksera, vijaka ili drugih malih metalnih predmeta koji mogu da naprave spoj jednog terminala sa drugim.** Kratak spoj terminala baterije može da izazove opekotine ili požar.
- **U ekstremnim uslovima može doći do curenja tečnosti iz baterije; izbegavajte kontakt sa njom.** Ako dođe do nehotičnog kontakta, isperite vodom. Ako tečnost dođe u kontakt sa očima, takođe potražite i medicinsku pomoć. Tečnost iz baterije može da izazove iritaciju ili opekotine.
- **Ne koristite bateriju ili alat koji su oštećeni ili modifikovani.** Oštećene ili modifikovane baterije mogu da ispolje nepredvidivo ponašanje, dovodeći do požara,

eksplozije ili rizika od povrede.

- **Ne izlažite bateriju ili alat vatri ili previsokoj temperaturi.** Izlaganje vatri ili temperaturi iznad 130 °C može izazvati eksploziju.
- **Pratite sva uputstva za punjenje i ne punite bateriju ili alat izvan temperaturnog opsega navedenog u uputstvima.** Punjenje na nepravilan način ili na temperaturama izvan navedenog opsega može da ošteti bateriju i poveća rizik od požara.

SERVIS

- **Odnosite električni alat na servisiranje kod kvalifikovanog servisera koji će koristiti samo identične rezervne delove.** To će osigurati da bezbednost električnog alata bude održana.
- **Nikad ne servisirajte oštećene baterije.** Servisiranje baterija treba da radi samo proizvođač ili ovlašćeni servis.

SIGURNOSNA UPOZORENJA ZA MOTORNU TESTERU

- **Držite sve delove tela dalje od lanca testere dok je motorna testera u upotrebi. Pre nego što pokrenete motornu testeru, uverite se da lanac testere ne dodiruje ništa.** Trenutak nepažnje tokom rukovanja motornim testerama može da izazove zakašnjanje vaše odeće ili delova tela lancem.
- **Uvek držite motornu testeru sa desnom rukom na zadnjoj drški a levom rukom na prednjoj drški.** Držanje motorne testere obnutim rasporedom ruku povećava rizik od telesnih povreda i nikad se ne treba raditi.
- **Držite lančanu testeru samo za izolovane površine rukohvata jer može da dodirne skrivene kablove.** Ako lanci testere dodirnu kabl koji provodi struju, postoji opasnost da izloženi metalni delovi električnog alata isto provode struju, što za rukovaoca može da predstavlja opasnost od strujnog udara.
- **Nosite zaštitu za oči. Preporučujemo i upotrebu druge zaštitne opreme za sluh, glavu, ruke, noge i stopala.** Odgovarajuća zaštitna odeća će da smanji telesne povrede od letećih krotina ili nenamernog kontakta sa lancem testere.
- **Nemojte da upotrebljavate lančanu testeru na stablu, merdevinama, sa krovne terase ili druge nestabilne podloge.** Rad lančane testere na taj način može da prouzrokuje teške telesne povrede.
- **Uvek održavajte pravilno uporište i rukuje motornom testerom samo kad stojite na fiksiranoj, sigurnoj i ravnoj površini.** Klizave ili nestabilne površine poput lestava mogu da izazovu gubljenje ravnoteže ili kontrole nad motornom testerom.

- **Kad sečete granu koja je pod tenzijom, pazite na odskakanje.** Kad se tenzija u vlaknima drveta otpusti, grana kao opruga može da udari rukovaoca i/ili izbaci motornu testeru van kontrole.
- **Budite krajnje oprezni kad sečete šiblje i mladice.** Tanak materijal može da uhvati lanac testere i da vas ošine ili vas izvuče iz ravnoteže.
- **Nosite motornu testeru držeći je za prednju dršku, isključenu, i držite je dalje od sebe.** Kad transportujete ili skladištite motornu testeru, uvek stavite navlaku za vodilicu. Pravilno rukovanje motornom testerom će smanjiti verovatnoću nehotičnog kontakta sa lancem koji je u pokretu.
- **Pratite uputstva za podmazivanje, zatezanje lanca i menjanje dodataka.** Nepravilno zategnut ili podmazan lanac može da pukne ili da poveća šanse za povratni udarac.
- **Održavajte drške suvim, čistim i bez ulja i masnoće.** Masne drške su klizave, izazivajući gubitak kontrole.
- **Secite samo drvo. Ne koristite motornu testeru za svrhe za koje nije predviđena. Na primer: ne koristite motornu testeru za sečenje plastike ili građevinskog materijala koji nije od drveta.** Korišćenje motorne testere za rad drugačiji od predviđenog moglo bi da dovede do opasne situacije.
- **Nemojte pokušavati da obarate stablo ako niste razumeli rizike i način na koji ćete ih izbeći.** Tokom obaranja stabla može da dođe do teških povreda rukovaoca ili prisutnih osoba.

UZROCI POV RATNOG UDARCA I PREVENCIJA RUKOVAOCA

Do povratnog udarca može da dođe kad nos ili vrh vodilice dodirne neki predmet ili kad se rez u drvetu zatvori i uklešti lanac testere (slika A).

Kontakt vrha u nekim slučajevima može da izazove iznenadnu obrnutu reakciju, udarajući vodilicu nagore i unazad prema rukovaocu (slika B).

Ako se lanac testere uklešti duž gornjeg dela vodilice, to može da je gurne velikom brzinom unazad prema rukovaocu (slika C).

Svaka od ovih reakcija može da izazove gubljenje kontrole nad testerom, što bi moglo da rezultuje ozbiljnom telesnom povredom. Ne oslanjajte se samo na sigurnosne uređaje ugrađene u testeru.

Kao korisnik motorne testere, vi treba da preduzmete nekoliko koraka da bi vaš posao sečenja bio bez nezgoda ili povreda.

Povratni udarac je posledica zloupotrebe alata i/ili nepravilnih procedura ili uslova rukovanja i može se

izbeći preduzimanjem odgovarajućih mera opreza kako je navedeno ispod:

- **Održavajte čvrst hvat, sa palcima i prstima koji obuhvataju drške motorne testere, sa obe ruke na testeri, i držite telo i ruke tako da možete da se oduprete silama povratnog udarca (slika D).** Rukovalac može kontrolisati sile povratnog udarca ako preduzme odgovarajuće mere opreza. Ne puštajte motornu testeru.
- **Ne presežite i ne secite iznad visine ramena.** To pomaže da se spreči nenameravan kontakt vrha i omogućava bolju kontrolu motorne testere u neočekivanim situacijama.
- **Koristite samo rezervne vodilice i lance koje navodi proizvođač.** Neodgovarajuće rezervne vodilice i lanci mogu da izazovu pucanje lanca i/ili povratni udarac.
- **Pratite uputstva proizvođača za oštrenje i održavanje motorne testere.** Smanjivanje dubine sečenja može da dovede do veće šanse za povratni udarac.
- **Vodite računa da na mestu na kom sečete nema prepreka.** Ne dozvolite da nos vodilice dođe u kontakt sa nekom kladom, granom, ogradom ili bilo kakvom drugom preprekom koju bi mogao udariti dok rukujete testerom.
- **Jedinica uvek treba da radi punom brzinom dok sečete.** Potpuno pritisnite okidač i održavajte brzinu sečenja.
- **Osnovnim razumevanjem povratnog udarca možete da smanjite ili eliminišete element iznenađenja.** Neočekivano iznenađenje doprinosi nezgodama.
- **U svakom trenutku održavajte pravilan položaj nogu i ravnotežu.**
- **Guranje i vučenje** – sila reakcije je uvek suprotna smeru u kom se kreće lanac kad pravi kontakt sa drvetom. Stoga rukovalac mora da bude spreman da kontroliše VUČENJE kad seče na donjoj ivici vodilice i GURANJE kad seče duž gornje ivice (slika E).

SIGURNOSNI UREĐAJI ZA POV RATNI UDARAC NA OVOJ MOTORNOJ TESTERI

KOČNICA LANCA

Motorna testera se isporučuje opremljena kočnicom lanca, koja zaustavlja i motor i kretanje lanca kad dođe do povratnog udarca. Kočina lanca se može aktivirati kretanjem drške kočnice unapred dok se testera okreće unazad tokom povratnog udarca a može se aktivirati i silom inercije stvorenom tokom brzog povratnog udarca.

⚠ UPOZORENJE: Nikad ne modifikujte niti pokušavajte da onemogućite kočnicu lanca.

Proverite da li kočnica lanca pravilno radi pre korišćenja motorne testere. Drška kočnice treba lako da se pokreće napred i nazad.

- Da biste testirali funkcionisanje kočnice lanca, pratite sledeće korake (slika F):
- Stavite motornu testeru na ravnu praznu površinu i vodite računa da u neposrednoj blizini nema nikakvih predmeta ili prepreka koje bi mogle doći u kontakt sa vodicom i lancem.
- Otpustite kočnicu lanca tako što ćete povući njenu ručicu prema prednjoj drški.
- Pokrenite motornu testeru.
- Gurnite ručicu kočnice prema prednjem delu testere. Kočnica koja pravilno funkcioniše će odmah zaustaviti kretanje lanca. Ako kočnica lanca ne radi pravilno, ne koristite motornu testeru dok je ne popravi kvalifikovani servisni tehničar.

F-1	Ručica kočnice u radnom položaju
F-2	Ručica kočnice u položaju kočenja

⚠ UPOZORENJE: Proverite da li kočnica lanca pravilno radi pre svake upotrebe.

⚠ UPOZORENJE: Ako je kočnica lanca zapušena iverjem, njeno funkcionisanje može da se smanji. Uvek održavajte uređaj čistim.

MALA DUBINA SEČENJA

Grabulje (merači dubine) ispred svakog zuba mogu da smanje silu reakcije povratnog udarca time što sprečavaju zube da se zariju suviše duboko u zoni povratnog udarca. Koristite samo rezervni lanac koji je sertifikovan ili je ekvivalentan originalnom lancu.

⚠ OPREZ: Kako se lanac oštiri tokom svog radnog veka, on gubi deo osobina smanjivanja povratnog udarca pa treba biti dodatno oprezan.

DODATNA UPOZORENJA

- **Motorna testera je predviđena za dvoručnu upotrebu.** Ozbiljne povrede rukovaoca, pomagača i/ili posmatrača mogu da budu posledica jednoručnog rukovanja.

- **Izbegavajte nehotični kontakt sa nepokretnim lancem testere ili šinama vodilice.** Oni mogu da budu veoma oštri. Uvek nosite rukavice i duge pantalone ili zaštitne nogavice kad rukujete motornom testerom, lancem ili vodicom.
- **Nikad ne rukujte motornom testerom koja je oštećena ili nepravilno podešena ili koja nije potpuno i čvrsto sklopljena.** Uverite se da lanac testere prestaje da se kreće kad pustite okidač.
- **Pre sečenja pogledajte da li na komadu drveta koje ćete seći ima eksera, žice ili drugih stranih predmeta.**
- **Oboreno stablo pričvrstite pre sečenja.** Kad obarate stablo ili sećete grane, identifikujte i učvrstite opasne grane.
- **Agresivno ili ekstremno sečenje ili zloupotreba motorne testere mogu da izazovu prevremeno habanje vodilice, lanca i/ili lančanika, kao i pucanje lanca ili vodilice, dovodeći do povratnog udarca, bacanja lanca ili izbacivanja sečenog materijala.**
- **Nikad ne koristite vodicu kao polugu.** Savijanje vodilice može da izazove prevremeno habanje vodilice, lanca i/ili lančanika, kao i pucanje lanca ili vodilice, dovodeći do povratnog udarca, bacanja lanca ili izbacivanja sečenog materijala.
- **Secite samo jedan komad drveta odjednom.**
- **Nemojte puniti bateriju na kiši ili na mokrim mestima.**
- **Planirajte posao, osiguravajući da radna površina bude bez prepreka i, u slučaju obaranja drveta, da postoji najmanje jedan put za izbegavanje pada drveta.**
- **Kad obarate drvo, držite posmatrača na udaljenosti od najmanje dve dužine drveta.**
- **Ako dođe do situacija koje nisu obrađene u ovom priručniku, primenjujte oprez u zdravo rasuđivanje. Obratite se EGO korisničkoj službi za pomoć.**

VODILICA

Ova testera se isporučuje sa vodicom koja ima nos malog poluprečnika. Nos malog poluprečnika generalno ima manji potencijal za povratni udarac. Kad zamenjujete vodicu, obavezno naručite onu koja je navedena u ovom priručniku.

SAČUVAJTE OVO UPUTSTVO!

OPĆA SIGURNOSNA UPOZORENJA ZA ELEKTRIČNE ALATE

⚠ UPOZORENJE! Pročitajte sva sigurnosna upozorenja, uputstva, sve ilustracije i specifikacije isporučene s ovim električnim alatom. Zanemarivanje svih uputstava navedenih u nastavku može rezultirati strujnim udarom, požarom i/ili teškim povredama.

SAČUVAJTE SVA UPOZORENJA I UPUTSTVA ZA BUDUĆE POTREBE.

Pojam "električni alat" u upozorenjima odnosi se na vaš električni alat na strujni pogon (s kablom) ili električni alat na baterijski pogon (bez kabela).

SIGURNOST RADNOG PODRUČJA

- Radno područje održavajte čistim i dobro osvijetljenim. Pretrpana ili mračna područja izazivaju nesreće.
- Električni alat nemojte upotrebljavati u eksplozivnim atmosferama, kao na primjer u prisutnosti zapaljivih tekućina, plinova ili prašine. Električni alat stvara iskre koje mogu zapaliti prašinu ili isparenja.
- Djecu i posmatrače držite podalje tokom rada s električnim alatom. Ometanja mogu rezultirati gubitkom kontrole nad alatom.

ELEKTRIČNA SIGURNOST

- Utikači električnog alata moraju odgovarati utičnici. Nemojte modifikovati utikač ni na koji način. Nemojte upotrebljavati utikače adaptera s uzemljenim električnim alatima. Nemodifikovani utikači i odgovarajuće utičnice smanjit će rizik od strujnog udara.
- Izbjegavajte kontakt tijela s uzemljenim površinama, kao što su slavine, radijatori, peći i frižideri. Postoji povećan rizik od strujnog udara ako je vaše tijelo uzemljeno.
- Električni alat nemojte izlagati kiši ili mokrim uslovima. Prodiranje vode u električni alat povećat će rizik od strujnog udara.
- Nemojte nepropisno upotrebljavati kabel. Kabel nemojte nikada upotrebljavati za nošenje, povlačenje ili isključivanje električnog alata iz strujnog napajanja. Kabel držite podalje od topline, ulja, oštih rubova ili pokretnih dijelova. Oštećeni ili isprepleteni kabeli povećavaju rizik od strujnog udara.
- Kada električnim alatom radite na otvorenom, upotrebljavajte produžni kabel prikladan za upotrebu na otvorenom. Upotreba kabela prikladnog za upotrebu na otvorenom smanjuje rizik od strujnog udara.

- Ako je rad s električnim alatom u vlažnom području neizbježan, upotrebljavajte napajanje sa zaštitnim uređajem diferencijalne struje. Upotrebom zaštitnog uređaja diferencijalne struje smanjuje se rizik od strujnog udara.

LIČNA SIGURNOST

- Budite oprezni, gledajte šta radite i koristite se uobičajenim osjećajem kada radite s električnim alatom. Nemojte upotrebljavati električni alat kada ste umorni ili pod uticajem opojnih sredstava, alkohola ili lijekova. Trenutak nepažnje tokom rada s električnim alatima može rezultirati teškim tjelesnim povredama.
- Upotrebljavajte ličnu zaštitnu opremu. Uvijek nosite zaštitu za oči. Zaštitna oprema poput maske za zaštitu od prašine, neklizajuće sigurnosne obuće, kacige ili zaštitne za sluh upotrijebljena za odgovarajuće uslove smanjit će tjelesne povrede.
- Spriječite nenamjerno pokretanje. Prije spajanja na izvor napajanja i/ili komplet baterija, uzimanja ili nošenja alata uvjerite se da se prekidač nalazi u isključenom položaju. Nošenje električnih alata s prstom na prekidaču ili napajanje električnih alata koji imaju uključen prekidač izaziva nesreće.
- Prije uključivanja električnog alata uklonite sve ključeve za podešavanje ili ključeve. Ključ ili ključ za podešavanje ostavljen pričvršćen na rotacijski dio električnog alata može rezultirati tjelesnim povredama.
- Nemojte se previše naginjati prema naprijed. Cijelo vrijeme održavajte propisno držanje i ravnotežu. To će omogućiti bolju kontrolu nad električnim alatom u neočekivanim situacijama.
- Obucite se prikladno. Nemojte nositi široku odjeću ili nakit. Kosu, odjeću i rukavice uvijek držite podalje od dijelova koji se kreću. Dijelovi koji se kreću mogu zahvatiti široku odjeću, nakit ili dugu kosu.
- Ako su uređaji namijenjeni za spajanje sistema za izvlačenje i sakupljanje prašine, pobrinite se da se propisno spoje i upotrebljavaju. Upotrebom uređaja za sakupljanje prašine mogu se smanjiti opasnosti koje se odnose na prašinu.
- Nemojte dozvoliti da vas poznavanje alata stečeno čestom upotrebom učini samoodpadnim pa da ignorirate sigurnosne principe za alat. Nemarne radnje u djeliću sekunde mogu rezultirati teškim povredama.

UPOTREBA I NJEGA ELEKTRIČNOG ALATA

- Nemojte preopterećavati električni alat. Upotrebljavajte ispravan električni alat za svoju primjenu. Ispravan električni alat bolje će i sigurnije odraditi posao pri brzini za koju je predviđen.

- **Nemojte upotrebljavati električni alat ako ga prekidač ne uključuje i isključuje.** Svaki električni alat koji se ne može kontrolisati prekidačem opasan je i potrebno ga je popraviti.
- **Prije obavljanja podešavanja, zamjene dodatne opreme ili skladištenja električnih alata isključite utikač iz izvora napajanja i/ili komplet baterija iz električnog alata.** Takve preventivne sigurnosne mjere smanjuju rizik od iznenadnog pokretanja električnog alata.
- **Nekorišteni električni alat skladištite izvan dohvata djece i nemojte dozvoliti da osobe koje ne poznaju električni alat ili ova uputstva rade s električnim alatom.** Električni alati opasni su u rukama neobučenih korisnika.
- **Održavajte električne alate i dodatnu opremu.** Provjerite jesu li pokretni dijelovi centrirani ili spojeni, ima li polomljenih dijelova i postoji li stanje koje može uticati na rad električnog alata. **Ako je oštećen, električni alat dajte na popravak prije upotrebe.** Loše održavani električni alati uzrok su mnogih nesreća.
- **Rezne alate održavajte oštrima i čistima.** Propisno održavani rezni alati s oštrim reznim rubovima vjerovatno se neće spajati i lakši su za upravljanje.
- **Električni alat, dodatnu opremu i alatne nastavke, itd., upotrebljavajte u skladu s ovim uputstvima, uzimajući u obzir radne uslove i posao koji je potrebno obaviti.** Upotreba električnog alata za radove drukčija od namjenske može rezultirati opasnim situacijama.
- **Rukohvate i površine rukohvata održavajte suhim, čistim i očišćenim od ulja i masti.** Skliski rukohvati i skliske površine rukohvata mogu uzrokovati nesigurno rukovanje i/ili gubitak kontrole nad alatom.

UPOTREBA I NJEGA BATERIJSKOG ALATA

- **Punjenje obavljajte samo s punjačem kojeg je naveo proizvođač.** Punjač koji je prikladan za jedan tip kompleta baterija može stvoriti rizik od požara ako ga se upotrebljava s drugim kompletom baterija.
- **Električni alat upotrebljavajte samo s izričito navedenim kompletima baterija.** Upotreba drugih kompleta baterija može stvoriti rizik od povreda i požara.
- **Kada se komplet baterija ne upotrebljava, držite ga podalje od drugih metalnih predmeta poput spajalica za papir, kovanica, ključeva, eksera, vijaka ili drugih malih metalnih predmeta koji mogu međusobno spojiti kontakte.** Kratko spajanje baterijskih kontakata može uzrokovati opekotine ili požar.
- **U slučaju pogrešne upotrebe, baterija može izbaciti tekućinu; izbjegavajte kontakt. Ako slučajno dođe do kontakta, odnorna mjesta isperite vodom. Ako tekućina dođe u kontakt s očima, dodatno potražite pomoć ljekara.** Tekućina koju izbací baterija može uzrokovati nadražaj kože ili opekotine.
- **Nemojte upotrebljavati oštećen ili modifikovan komplet baterija ili alat.** Oštećene ili modifikovane baterije mogu pokazati nepredvidivo ponašanje koje može rezultirati požarom, eksplozijom ili opasnošću od povreda.
- **Komplet baterija ili alat nemojte izlagati vatri ili previsokoj temperaturi.** Izlaganje vatri ili temperaturi višoj od 130 °C može uzrokovati eksploziju.
- **Pridržavajte se svih uputstava za punjenje i komplet baterija ili alat nemojte puniti izvan okvira opsega temperature navedenog u uputstvima.** Nepropisno punjenje ili punjenje pri temperaturama izvan okvira određenog opsega može oštetiti bateriju i povećati opasnost od požara.

SERVISIRANJE

- **Servisiranje električnog alata prepustite kvalifikovanom osoblju za popravak koje upotrebljava samo identične zamjenske dijelove.** Time će se osigurati održavanje sigurnosti električnog alata.
- **Nemojte nikada servisirati oštećene komplete baterija.** Servisiranje kompleta baterija smiju obavljati samo proizvođač ili ovlašteni serviseri.

SIGURNOSNA UPOZORENJA ZA MOTORNU ŽAGU

- **Tokom rada motorne žage sve dijelove tijela držite podalje od lanca žage. Prije pokretanja motorne žage uvjerite se da lanac žage ništa ne dodiruje.** Trenutak nepažnje tokom rukovanja motornim žagama može uzrokovati da lanac zahvati vašu odjeću ili tijelo.
- **Motornu žagu uvijek držite desnom rukom za stražnji rukohvat, a lijevom rukom za prednji rukohvat.** Držanje motorne žage obrnutom konfiguracijom ruku povećava rizik od tjelesnih povreda i ne smije se nikada primjenjivati.
- **Motornu žagu držite samo za izolirane površine rukohvata jer može dotaknuti skrivene kabele.** Ako lanci žage dotaknu kabel koji provodi struju, postoji opasnost da izloženi metalni dijelovi električnog alata isto provode struju što za rukovaoca može predstavljati opasnost od strujnog udara.
- **Nosite zaštitu za oči. Preporučujemo i upotrebu druge zaštitne opreme za sluh, glavu, ruke, noge i stopala.** Odgovarajuća zaštitna odjeća smanjit će tjelesne povrede uslijed letećih krhovina ili nenamjernog kontakta s lancem žage.

BS

- **Motornu žagu nemojte upotrebljavati na stablu, ljestvama, s krovne terase ili druge nestabilne podloge.** Rad motorne žage na taj način može rezultirati teškim tjelesnim povredama.
- **Uvijek održavajte propisno uporište i motornu žagu upotrebljavajte samo kada stojite na čvrstoj, sigurnoj i ravnoj površini.** Klizave ili nestabilne površine kao što su ljestve mogu uzrokovati gubitak ravnoteže ili kontrole nad motornom žagom.
- **Kada režete napetu granu, budite spremni na povratnu silu.** Kada se napetost u vlaknima drveta oslobodi, napeta grana može udariti rukovaoca i/ili uzrokovati gubitak kontrole nad motornom žagom.
- **Budite posebno oprezni kada režete grmlje i mlade grane.** Lanac žage može zahvatiti tanak materijal i odbaciti ga prema vama ili izbaciti vas iz ravnoteže.
- **Motornu žagu nosite isključenu za prednji rukohvat i podalje od svog tijela.** Kada transportujete ili skladištite motornu žagu, uvijek stavite navlaku za vodilicu. Propisnim rukovanjem motornom žagom smanjit će se vjerovatnoća nenamjernog kontakta s lancem žage koji se kreće.
- **Pridržavajte se uputstava za podmazivanje, zatezanje lanca i zamjenu pribora.** Nepropisno zategnut ili podmazan lanac može puknuti ili povećati opasnost od povratnog udara.
- **Rukohvate održavajte suhim, čistim i očišćenim od ulja i masti.** Masni rukohvati zaprijeti uljem klizavi su i mogu uzrokovati gubitak kontrole.
- **Režite samo drvo.** Motornu žagu nemojte upotrebljavati za svrhe koje nisu namjenske. Na primjer: motornu žagu nemojte upotrebljavati za rezanje plastike, zida ili građevinskih materijala koji nisu od drveta. Upotreba motorne žage za radove drukčije od namjenskih može rezultirati opasnim situacijama.
- **Nemojte pokušavati obarati stablo ako niste razumjeli rizike i način na koji ih izbjeći.** Tokom obaranja stabla može doći do teških povreda rukovaoca ili prisutnih osoba.

UZROCI POVRATNOG UDARA I PREVENCIJA RUKOVAOCA

Povratni udar može se dogoditi kada nos ili vrh vodilice dotakne predmet ili kada se lanac žage prilikom rezanja zaglavi i oстане u drvetu (sl. A).

Kontakt s vrhom vodilice u nekim slučajevima može izazvati iznenadnu povratnu reakciju i odbaciti vodilicu prema gore i nazad prema rukovaocu (sl. B).

Zaglavlivanje lanca žage u gornjem području vodilice može rezultirati silovitim povratnim udarom vodilice u smjeru rukovaoca (sl. C).

Svaka od ovih reakcija može uzrokovati gubitak kontrole nad žagom, što može rezultirati teškim tjelesnim povredama. Nemojte da se pouzdate isključivo u sigurnosne uređaje ugrađene u žagu.

Kao korisnik motorne žage trebate poduzeti nekoliko koraka kako biste radove rezanja obavili bez nesreća ili povreda.

Povratni udar rezultat je nepravilne upotrebe alata i/ili neispravnih radnih postupaka ili uslova i može se izbjeći poduzimanjem propisnih mjera opreza kako je navedeno u nastavku.

- **Održavajte čvrst zahvat s palčevima i prstima oko rukohvata motorne žage, s objema rukama na žagi i pozicionirajte tijelo i ruku tako da se možete oduprijeti silama povratnog udara (sl. D).** Rukovalac može kontrolisati sile povratnog udara ako se poduzmu odgovarajuće mjere opreza. Motornu žagu nemojte ispuštati.
- **Nemojte se previše naginjati prema naprijed i nemojte rezati iznad visine ramena.** To će pomoći u sprečavanju nenamjernog kontakta vrha vodilice i omogućiti bolju kontrolu na motornom žagom u neočekivanim situacijama.
- **Upotrebljavajte samo zamjenske vodilice i lance koje je naveo proizvođač.** Nepropisne zamjenske vodilice i nepropisni zamjenski lanci mogu uzrokovati pucanje lanca i/ili povratni udar.
- **Pridržavajte se uputstava za oštrenje i održavanje lanca žage koje je naveo proizvođač.** Smanjenje visine mjeraca dubine može dovesti do jačeg povratnog udara.
- **Uvjerite se da je područje u kojem režete očišćeno od zapreka.** Nemojte dozvoliti da nos vodilice dođe u kontakt s deblom, granom, ogradom ili bilo kojom drugom zaprekom u koju žaga može udariti tokom rada.
- **Uvijek režite s jedinicom pri punoj brzini.** Potpuno stisnite okidač i održavajte brzinu rezanja.
- **Osnovnim poznavanjem povratnog udara možete smanjiti ili eliminisati element iznenađenja.** Neočekivana iznenađenja pogoduju nesrećama.
- **Cijelo vrijeme održavajte propisno držanje i ravnotežu.**
- **Guranje i povlačenje** – Sila reakcije uvijek je suprotna smjeru kretanja lanca pri kontaktu s drvetom. Rukovalac stoga mora biti spreman da kontroliše POVLAČENJE pri rezanju na donjem rubu vodilice, i GURANJE pri rezanju duž gornjeg ruba (sl. E).

SIGURNOSNI UREĐAJI ZA ZAŠTITU OD POVRATNOG UDARA NA OVOJ MOTORNOJ ŽAGI

KOČNICA LANCA

Motorna žaga isporučuje se opremljena kočnicom lanca

koja zaustavlja motor i kretanje lanca u slučaju povratnog udara. Kočnica lanca može se aktivirati pomjeranjem ručice kočnice lanca za povratni udar prema naprijed dok se žaga okreće prema nazad tokom povratnog udara. Kočnica lanca može se aktivirati i silama inercije koje se stvaraju tokom brzog odgurivanja.

⚠ UPOZORENJE! Nemojte nikada modifikovati ili pokušavati da onemogućite kočnicu lanca.

Prije upotrebe motorne žage uvjerite se da kočnica lanca propisno funkcioniše. Ručica kočnice lanca za povratni udar treba se s lakoćom pomjerati prema nazad i naprijed.

- Za provjeru rada kočnice lanca obavite sljedeće korake (sl. F):
- Stavite motornu žagu na ravnu čistu površinu i uvjerite se da u neposrednoj blizini nema predmeta ili zapreka koji bi mogli doći u kontakt s vodilicom i lancem.
- Kočnicu lanca deaktivirajte povlačenjem ručice kočnice lanca za povratni udar prema prednjem rukohvatu.
- Pokrenite motornu žagu.
- Gurnite ručicu kočnice lanca za povratni udar prema prednjoj strani žage. Propisnom funkcijom ručne kočnice odmah će se zaustaviti kretanje lanca. Ako kočnica lanca ne radi propisno, nemojte upotrebljavati motornu žagu dok kvalifikovani servisni tehničar ne popravi kočnicu lanca.

F-1	Ručica kočnice lanca za povratni udar u radnom položaju
F-2	Ručica kočnice lanca za povratni udar u položaju kočenja

⚠ UPOZORENJE! Prije svake upotrebe uvjerite se da kočnica lanca propisno radi.

⚠ UPOZORENJE! Ako je kočnica lanca začepljena drvnim iverjem, funkcija kočnice lanca može oslabiti. Uredaj uvijek održavajte čistim.

LANAC ŽAGE S MALIM POVRTNIM UDAROM

Mjerači dubine ispred svakog rezača mogu smanjiti silu reakcije povratnog udara sprečavanjem predebokog prodiranja rezača u zoni povratnog udara. Upotrebljavajte samo zamjenski lanac koji je ekvivalentan originalnom lancu ili koji je certificiran.

⚠ OPREZ! Budući da se lanci oštire tokom njihovog korisnog radnog vijeka, gube kvalitet funkcije malog povratnog udara te je potreban poseban oprez.

DODATNA UPOZORENJA

- **Motorna žaga predviđena je za upotrebu s objema rukama.** Rukovanje s jednom rukom može rezultirati teškim povredama rukovoaca, pomagača i/ili posmatrača.
- **Izbjegavajte nenamjieran kontakt s nepomičnim lancem žage ili šinama vodilice.** Oni mogu biti vrlo oštri. Pri rukovanju motornom žagom, lancem žage ili vodilicom uvijek nosite rukavice i dugačke hlače ili zaštitne hlače.
- **Nemojte nikada upotrebljavati oštećenu ili nepropisno podešenu motornu žagu ili motornu žagu koja nije potpuno i sigurno sastavljena.** Uvjerite se da se lanac žage zaustavlja nakon otpuštanja okidnog prekidača.
- **Prije rezanja pregledajte ima li na obratku eksera, žica ili drugih stranih predmeta.**
- **Kod rezanja po dužini, prije rezanja osigurajte obradak. Kod obaranja ili obrezivanja identifikujte i osigurajte opasne grane.**
- **Agresivno ili nenamjensko rezanje ili nepropisna upotreba motorne žage može rezultirati prijevremenim habanjem vodilice, lanca i/ili lančanika, kao i pucanjem lanca ili vodilice, što može dovesti do povratnog udara, odbacivanja lanca ili izbacivanja materijala.**
- **Vodilicu nemojte nikada upotrebljavati kao ručicu.** Savijena vodilica može uzrokovati prijevremeno habanje vodilice, lanca i/ili lančanika, kao i pucanje lanca ili vodilice, što može rezultirati povratnim udarom, odbacivanjem lanca ili izbacivanjem materijala.
- **Režite samo jedan po jedan obradak.**
- **Komplet baterija nemojte puniti na kiši ili na mokrim mjestima.**
- **Planirajte rad, osigurajte radno područje bez zapreka, a u slučaju obaranja stabla najmanje jedan put za sklanjanje od padajućeg stabla.**
- **U slučaju obaranja stabla, posmatrače držite podalje najmanje dvije dužine stabla.**
- **Ako se pojave situacije koje nisu obuhvaćene ovim priručnikom, postupite oprezno i uz dobru procjenu. Za pomoć se obratite centru korisničke službe proizvođača EGO.**

VODILICA

Ova žaga isporučuje se opremljena vodilicom koja ima mali radijus vrha. Mali radijus vrha u pravilu ima manji potencijal za povratni udar. Kada mijenjate vodilicu, vodite računa da naručite vodilicu navedenu u ovom priručniku.

SAČUVAJTE OVA UPUTSTVA!

BS

אזהרות בטיחות כלליות עבור כלי עבודה חשמליים

⚠ אזהרה: קראו את כל אזהרות הבטיחות, את ההוראות, התמונות והמפרטים המסופקים ביחד עם מכשיר חשמלי זה. אי מילוי כל ההוראות המופיעות למטה יכול לגרום אחריו שוק חשמלי, שרפה ו/או פציעה חמורה

שימרו את כל האזהרות וההוראות לעיון עתידי.

המושג "כלי עבודה חשמלי" בחלק האזהרות מתייחס אל כלי העבודה החשמלי שלכם (חוטי) או כלי עבודה חשמלי המונע על ידי סוללות (אלחוטי).

בטיחות סביבת העבודה

- שימרו על סביבת העבודה נקייה ומוארת כהלכה. סביבות לא מסודרות ואפלות מזמינות תאונות.
- אל תפעילו את המכשיר החשמלי באזורים דליקים, בנוכחות נוזלים דליקים, גזים או אבק. המכשירים החשמליים מייצרים ניצוצות העלולים להצית את האבק או האדים.
- בקשו מילדים ומעוברי אורח להתרחק מן המכשיר החשמלי בעת הפעלתו. הסחות דעת עלולות לגרום לכם לאבד שליטה.

בטיחות חשמלית

- התקעים של המכשיר החשמלי צריכים להיות מתאימים לשקע. לעולם אל תשנו את התקע בכל צורה שהיא. אל תשתמשו במתאמים עבור תקעים של מכשירים חשמליים בעלי הארקה. תקעים שלא שונו ושקעים מתאימים יפחיתו את הסיכון להלם חשמלי
- הימנעו ממגע עם משטחים בעלי הארקה, כגון צינורות, ריאתורים, כיריים ומקררים. יש סיכון גבוה להלם חשמלי אם הגוף שלכם מוארק.
- אל תחשפו את המכשיר החשמלי לגשם או לתנאים רטובים. מים הנכנסים אל המכשיר החשמלי יגבירו את הסכנה להלם חשמלי.
- אל תפעילו לחץ על הכבל. לעולם אל תשתמשו בכבל על מנת לשאת, למשוך או להוציא את המכשיר החשמלי מן השקע. שימרו על הכבל הרחק ממקורות חום, שמן, קצוות חדים או חלקים נעים. כבלים ניזוקים או מלופפים מגבירים את הסיכון לשוק חשמלי.
- בעת הפעלת המכשיר החשמלי בחוץ, עשו שימוש בכבל מאריך המתאים לשימוש בחוץ. השימוש בכבל מאריך המתג הוא מסוכן ויש לתקן אותו. הסיכון לשוק חשמלי.
- אם לא ניתן להימנע מהפעלת המכשיר החשמלי במקום לח, עשו שימוש במפסק פחת להגנה על המתח. השימוש במפסק פחת מפחית את הסיכון לשוק חשמלי.

בטיחות אישית

- הישארו דרוכים, הביטו במה שאתם עושים והשתמשו בשכל הישר כאשר אתם משתמשים במכשיר החשמלי. נא לא להשתמש במכשיר החשמלי כאשר אתם עייפים או תחת השפעה של סמים, אלכוהול או תרופות. רגע אחד של חוסר תשומת לב בעת הפעלת המכשיר החשמלי עלול לגרום לפציעה אישית חמורה.
 - השתמשו בציוד הגנה אישי. חבשו תמיד מגני עיניים. כאשר נעשה שימוש בציוד הגנה כגון מסכת אבק, נעלי בטיחות נגד החלקה, כובעים קשים או מגני אוזניים, בתנאים המתאימים, הדבר יפחית את הסיכון לפציעות אישיות חמורות.
 - מנעו הפעלה מקרית. וודאו שהמתג נמצא במצב כבוי לפני חיבור של מקור מתח ו/או מארז הסוללה, לפני הרמת המכשיר החשמלי או נשיאתו. נשיאה של מכשירים חשמליים כאשר האצבע שלכם ממוקמת על המתג או חיבור מקורות מתח למכשירים חשמליים הנמצאים במצב פועל, מזמינים תאונות.
 - הסירו כל כלי כונון או מפתח ברגים לפני ההפעלה של המכשיר החשמלי. מפתח ברגים או כלי כונון המוצמד אל חלק מסתובב של המכשיר החשמלי עלול לגרום לפציעה אישית חמורה.
 - אל תנסו להתמתח רחוק מדי. שימרו על צעד ואיזון בטוחים בכל זמן. הדבר מאפשר שליטה טובה יותר במכשיר החשמלי במצבים לא צפויים.
 - לבשו בגדים מתאימים. אל תלבשו בגדים רפויים או תכשיטים. שימרו על השיער שלכם ועל חלקי ביגוד וכפפות הרחק מחלקים נעים. בגדים רפויים, תכשיטים או שיער ארוך עלולים להיתפס בחלקים הנעים.
 - אם המכשירים מגיעים ביחד עם חיבור להוצאת אבק ומתקני איסוף, וודאו שאלו מחוברים כהלכה והשימוש בהם נעשה באופן נכון. השימוש במתקני אבק יכול להפחית סכנות הקשורות לאבק.
 - אל תאפשרו לעצמכם להיות פחות זהירים בגלל שימוש תכוף במכשיר החשמלי, אל תהיו שאננים ואל תתעלמו מעקרונות הבטיחות. פעולה לא זהירה עלולה לגרום לפציעה חמורה בשבריר שנייה
- ### השימוש והטיפול במכשיר החשמלי
- אל תפעילו כוח על המכשיר החשמלי. השתמשו במכשיר החשמלי המיועד למטרה שלכם. המכשיר החשמלי הנוכחי יבצע את עבודתו בצורה טובה ובטוחה יותר בקצב בו הוא תוכנן לפעול.
 - אל תשתמשו במכשיר החשמלי אם מתג ההפעלה והכיבוי איננו פועל. כל מכשיר חשמלי אשר לא ניתן לשלוט בו בעזרת המתג הוא מסוכן ויש לתקן אותו.
 - נתקו את התקע ממקור החשמל ו/או הסירו את מארז הסוללה מן המכשיר החשמלי לפני ביצוע כל התאמה, החלפת אבירים, או אחסון של מכשירי חשמל. אמצעי זהירות למניעה אלו מפחיתים את הסיכון להפעלה מקרית של המכשיר החשמלי.
 - אחסנו מכשירים חשמליים אשר אינם בשימוש הרחק מהישג ידם של ילדים ואל תאפשרו לאנשים

לגרום לנזק ולהעלות את הסיכון לשרפה.

שירות

- **בצעו עבודות שירות על המכשיר החשמלי שלכם רק באמצעות טכנאי שירות מוסמך העושה שימוש בחלקי חילוף זהים בלבד.** הדבר יבטיח שבטיחות המכשיר החשמלי נשמרת.
- **לעולם אל תבצעו עבודות שירות למארזי סוללה ניזוקים.** שירות למארזי סוללה צריך להתבצע רק על ידי היצרן או ספקי שירות מוסמכים.
- **אזהרות בטיחות עבור המסור החשמלי**
 - שימרו על כל חלקי הגוף הרחק משרשרת המסור בעת ההפעלה שלה. לפני ההפעלה של המסור החשמלי, וודאו ששרשרת המסור איננה נוגעת בדבר. רגע אחד של חוסר זהירות בעת הפעלת מסורים חשמליים עלול להוביל לליפוף של בגדים או חלקי גוף עם המסור.
 - החזיקו תמיד את המסור החשמלי עם היד הימנית שלכם על הידית האחורית והיד השמאלית שלכם על הידית הקדמית. החזקת המסור החשמלי עם תנועת ידיים הפוכה מעלה את הסיכון לפציעה אישית ולעולם אין לעשות זאת.
 - אחוז במסור החשמלי סמוך למשטחי אחיזה מבודדים בלבד, משום שהמסור החשמלי עשוי לגעת בחיווט חבוי. מסור חשמלי הבא במגע עם חוט "חי" עלול להפוך את אזורי המתכת החשופים של המכשיר ל"חיים" ועלול לגרום עזזוע חשמלי למשתמש.
 - הרכב מגן עיניים. מומלץ גם להשתמש בציוד מגן נוסף לאוזניים, לראש, לידיים, לרגליים ולכפות הרגליים. לבוש מגן מתאים יפחית פציעה העלולה להיגרם מחלקים מעופפים או ממגע לא מכוון במסור החשמלי.
 - אל תפעיל את המסור החשמלי כשאתה עומד על סולם, כשאתה על גג מבנה או על כל משטח אחר שאינו יציב. הפעלת המסור החשמלי במצבים אלה עלולה להוביל לפציעה אישית חמורה.
 - שימרו תמיד על עמידה מתאימה והפעילו את המסור החשמלי רק כאשר אתם נמצאים על משטח שטוח, בטוח ויציב. משטחים מחליקים או בלתי יציבים כגון סולמות עלולים להוביל לחוסר איזון ואבדן שליטה על המסור החשמלי.
 - בעת חיתוך של ענף מתוח, היו זהירים מתגובה לאחור. כאשר המתח בסיבי העץ משתחרר, הענף שהיה מתוח עלול לפגוע במפעיל ו/או לזרוק את המסור החשמלי ולגרום לאבדן שליטה.
 - היו מאוד זהירים בעת חיתוך סבך ועצים צעירים. החומר הצעיר עלול להיתפס בשרשרת המסור ולהזיק אליכם או לגרום לכם לחוסר איזון.
 - נישאו את המסור החשמלי כאשר אתם מחזיקים אותו בידיית הקדמית, הוא איננו פועל ונמצא הרחק מן הגוף שלכם. בעת הובלה או אחסון של המסור החשמלי, התאימו תמיד את מכסה המוט המנחה.

- אשר אינם מכירים את המכשיר החשמלי או אשר לא קראו את ההוראות להפעיל את המכשיר החשמלי. מכשירים חשמליים הם מסוכנים כאשר הם בידם של אנשים אשר לא הוכשרו להפעיל אותם.
- תחזקו מכשירים חשמליים ואביזרים. בדקו ישור או ליפוף של חלקים נעים, שבירה של חלקים וכל תנאים אחרים אשר עלולים להשפיע על פעולת המכשיר החשמלי. אם המכשיר החשמלי ניזוק, יש לתקן אותו לפני השימוש בו. תאונות רבות נגרמות כתוצאה מתחזוקה לקויה של מכשירים חשמליים.
- שימרו על כלי החיתוך חדים ונקיים. לכלי חיתוך אשר תוחזקו הכלכה בעלי קצוות חדים יש פחות סיכוי לבצע ליפוף וקל יותר לשלוט בהם.
- השתמשו במכשירים החשמליים, באביזרים, בחתיכות המכשירים וכו' בהתאם להוראות אלו, כאשר אתם לוקחים בחשבון את תנאי העבודה ואת העבודה שיש לבצע. שימוש במכשיר החשמלי לפעולות אחרות מאשר אלו אליהן הוא מיועד עלול להסתיים במצב מסוכן.
- שימרו על הידיות ועל חלקי האחיזה יבשים, נקיים וללא שמן או חומרי סיכה. ידיות וחלקי אחיזה מחליקים עלולים להוביל לטיפול לא בטוח ו/או אבדן שליטה על המכשיר.
- השימוש והטיפול בסוללת הכלי
 - הטעינו רק עם המטען המצוין על ידי היצרן. מטען המתאים למארז סוללה אחד עלול ליצור סכנת אש עבור מארז סוללה אחר.
 - השתמשו במכשירים חשמליים עם מארזי סוללה המיועדים להם. השימוש במארזי סוללה אחרים עלול ליצור סיכון לפציעות ושרפות.
 - כאשר מארז הסוללה איננו בשימוש, שימרו עליו במרחק מסוים מעצמים אחרים העשויים ממתכת, כגון מהדקי נייר, מטבעות, מפתחות, מסמרים, ברגים או עצמים קטנים ממתכת העלולים לבצע חיבור של מסוף אחד למשנהו. ביצוע קצר בין מסופי הסוללה עלול לגרום לכוייות או שרפה.
 - בתנאי שימוש לא נאותים, נודל עלול להיפלט מן הסוללה; הימנעו מנגע. אם ישנו מגע מקרי, שטפו במים. אם מתרחש מגע עם העיניים, בנוסף, פנו לעזרה רפואית. מזל הנפלט מן הסוללה עלול לגרום לפריחה או כויות.
 - אל תשתמשו במארז סוללה או מכשיר חשמלי ניזוקים או אשר שנו. סוללות ניזוקות או אשר שנו עלולות להתנהג בצורה לא צפויה אשר עלולה להסתיים בשרפה, פיצוץ או סיכון לפציעה אישית.
 - אל תחשפו את מארז הסוללה או את המכשיר אל אש או טמפרטורות גבוהות. חשיפה אל אש או טמפרטורות הגבוהות מ-130°C עלולה לגרום לפיצוץ.
 - בצעו את כל הוראות ההטענה ואל תטעינו את מארז הסוללה או את הכלי החשמלי מחוץ לטווחי הטמפרטורה המצוינים בהוראות אלו. הטענה לא נכונה או מחוץ לטווחי הטמפרטורה המצוינים עלולים

- טיפול נכון במסור החשמלי, יפחית את האפשרות של המגע המקרי עם שרשרת המסור הפועלת.
- **עקבו אחר ההוראות בנוגע לשימון, מתח שרשרת ואביזרי החלפה.** שרשרת אשר לא מתוחה או לא משומנת כהלכה עלולה להישבר או להעלות את הסיכון לתגובה חזקה לאחור.
- **שימרו על הידיות יבשות, נקיות וולא שמן או חומרי סיכה.** ידיות משומנות מן מחליקות ועלולות לגרום לאבדן שליטה.
- **חתכו עץ בלבד. אל תעשו שימוש במסור החשמלי למטרות אליהן הוא איננו מיועד. לדוגמה: אל תשתמשו במסור החשמלי על מנת לחתוך פלסטיק, חלקי בניין או חומרי בניין שאינם עשויים מעץ.**
- שימוש במסור החשמלי לפעולות אחרות מאשר אלו אליהן הוא מיועד עלול להסתיים במצב מסוכן.
- **אל תנסה לכרות עץ לפני שהבנת היטב את הסיכונים וכיצד תוכל להימנע מהם.** המפעיל או האלה העומדים בקרבת מקום עלולים לספוג פציעה חמורה בזמן כריחת עצים.
- **סיבות ומניעה של תגובה חזקה לאחור של המפעיל**
תגובה חזקה לאחור עלולה להיגרם כאשר הקצה של המוט המנחה בא במגע עם עצם, או כאשר העץ נסגר וצובט את שרשרת המסור בעת החיתוך (איור A).
- במקרים מסוימים, מגע עם הקצה עלול לגרום לתגובה הפוכה פתאומית, כאשר המוט המנחה נבעט כלפי מעלה ולאחור לעבר המפעיל (איור B).
- צביטה של שרשרת המסור במוט המנחה עלולה לדחוף את המוט המנחה במהירות אל עבר המפעיל (איור C).
- כל אחת מן התגובות הללו עלולה לגרום לאבדן שליטה על המסור והתוצאה עלולה להיות פציעה אישית חמורה. אל תסתמכו רק על אמצעי העזר המובנים אל תוך המסור החשמלי.
- כמפעילי מסור חשמלי, עליכם לנקוט במספר אמצעים על מנת שהפעלה שלכם תהיה נקייה מתאונות ופציעות.
- תגובה חזקה לאחור היא התוצאה של שימוש לא נאות במכשיר החשמלי ו/או נוהלי הפעלה או תנאים לא מתאימים וניתן למנוע אותה על ידי נקיטת אמצעי זהירות כמתואר למטה:
- **שימרו על אחיזה מוצקה, כאשר האגודלים והאצבעות סובבים את ידיות המסור החשמלי, עם שתי הידיים על גבי המסור החשמלי והעמידו את הגוף שלכם ואת הזרועות כך שתוכלו להתנגד לכוחות התגובה החזקה לאחור (איור D).** המפעיל יכול לשלוט בכוחות התגובה החזקה לאחור, אם ננקטים אמצעי הבטיחות המתאימים. אל תרפו מן המסור החשמלי.
- **אל תנסו להגיע רחוק מדי ואל תחתכו מעל לגובה הכתף.** הדבר עוזר למנוע מגע קצה לא מתוכנן ומאפשר שליטה טובה יותר במסור החשמלי במצבים לא צפויים.

- **עשו שימוש במוטות ושרשראות חלופיים המצוינים על ידי היצרן.** מוטות ושרשראות חלופיים לא מתאימים עלולים לגרום לשבירת שרשרת ו/או תגובה חזקה לאחור.
- **עקבו אחר הוראות היצרן בנוגע לחידוד ותחזוקה של שרשרת המסור.** הפחתה של גובה מד העומק עלולה להוביל לתגובה חזקה לאחור.
- **וודאו שהאזור בו אתם מבצעים את החיתוך נקי מעצמים זרים.** אל תאפשרו לקצה המוט המנחה לבוא במגע עם בולי עץ, ענפים, גדרות או כל מחסום אחר שניתן לפגוע בו בעת הפעלת המסור החשמלי.
- **חתכו תמיד כאשר היחידה פועלת במהירות מלאה.** לחצו לגמרי את מתג ההדק ושימרו על מהירות החיתוך.
- **כאשר יש לכם הבנה בסיסית של התגובה החזקה לאחור, אתם יכולים להפחית או למנוע את גורם ההפתעה.** הפתעות פתאומיות מובילות לתאונות.
- **שימרו על צעד ואיזון בטוחים בכל זמן.**
- **דחפו ומשכו –** כוח התגובה תמיד הפוך לכיוון בו נעה השרשרת היכן שנעשה מגע. לכן, על המפעיל להיות מוכן לשלוט ב"משיכה" בעת חיתוך על הקצה התחתון של המוט וב"דחיפה" בעת חיתוך מעל הקצה העליון (איור E).

התקני בטיחות לתגובה חזקה לאחור על המסור החשמלי

בולם שרשרת

- המסור החשמלי מגיע מצויד עם בולם שרשרת, אשר עוזר הן את המנוע והן את תנועת השרשרת כאשר מתרחשת תגובה חזקה לאחור. ניתן להפעיל את בולם השרשרת על ידי התנועה קדימה של ידיה הבלתימה לתגובה חזקה לאחור של השרשרת כאשר המסור נעה לאחור בעת תגובה חזקה לאחור; ניתן גם להפעיל אותו על ידי הכוחות הקשורים לאינרציה המופעלים בעת משיכה מהירה לאחור.
- ⚠ אזהרה:** לעולם אין לנסות לנתק או לשנות את בולם השרשרת.

- וודאו שבולם השרשרת פועל כהלכה לפני השימוש במסור החשמלי. ידיה הבלתימה לתגובה חזקה לאחור של השרשרת צריכה לזוז אחורה וקדימה בקלות.
- על מנת לבדוק את פועלת בולם השרשרת, בצעו את השלבים הבאים (איור F):
 - מקמו את המסור החשמלי על משטח נקי וישטחו וודאו שאין עצמים או מחסומים אשר יכולים לבוא במגע עם המוט והשרשרת.
 - על מנת לשחרר את בולם השרשרת, משכו את ידיה הבלתימה לתגובה חזקה לאחור של השרשרת אל עבר הידית הקדמית.
 - הפעילו את המסור החשמלי.
 - דחפו את ידיה הבלתימה לתגובה חזקה לאחור של השרשרת אל עבר החלק הקדמי של המסור. בולם יד הפועל כהלכה יעצור את תנועת השרשרת מיד. אם בולם השרשרת איננו פועל כהלכה, אל תשתמשו במסור החשמלי עד אשר הבולם תוקן על ידי טכנאי

שירות מוסמך.

F-1	עמדת הפעלה של ידית הבלימה לתגובה חזקה לאחור של השרשרת
F-2	ידית הבלימה לתגובה חזקה לאחור של השרשרת בעמדת בלימה

⚠ אזהרה: וודאו שבולם השרשרת פועל כהלכה לפני כל שימוש.

⚠ אזהרה: אם בולם השרשרת עמוס בחלקיקי עץ, פונקציית בולם השרשרת עלולה לא לפעול כראוי. שימרו תמיד על המכשיר נקי.

תגובה חזקה לאחור נמוכה של שרשרת המסור המגרפות (מדי עומק) לפני כל חותך יכולות להפחית את כוח התגובה החזקה לאחור על ידי מניעה מן החותכים מלחפור עמוק מדי באזור התגובה החזקה לאחור. השתמשו רק בשרשרת חלופית אשר שווה לשרשרת המקורית או כל שרשרת אחרת מאושרת.

⚠ זהירות: כאשר אנו מחדדים שרשראות מסור במהלך חייהן, הם מאבדות חלק מתכונות התגובה החזקה לאחור הנמוכה שלהן ויש להיות אף יותר זהירים.

אזהרות נוספות

- **המסור החשמלי מיועד לשימוש בשתי הידיים.** כתוצאה מהפעלה ביד אחת עלולות להיגרם פציעות חמורות למפעיל, עוזרים ו/או עוברי אורח.
- **הימנעו ממגע מקרי עם שרשרת המסור או מסילות המוט המנחה כאשר אלו אינן פועלות.** הן עלולות להיות מאוד חדות. לבשו תמיד כפפות ומכנסיים ארוכים או מכנסי עור בעת הטיפול במסור החשמלי, בשרשרת המסור או במוט המנחה.
- **לעולם אין להפעיל את המסור החשמלי אם יש בו נזקים או אם הוא כוונן שלא כהלכה או אשר לא הורכב לגמרי או בבטחה.** וודאו ששרשרת המסור עוצרת את פעולתה כאשר מתג ההדק משוחרר.
- **בדקו את אזור העבודה שלא יהיו בו מסמרים, חוטים או עצמים זרים אחרים לפני החיתוך.**
- **בעת חלוקה, אבטחו את עצם העבודה לפני החיתוך.** בעת כריתה או גיזום, זהו ואבטחו ענפים מסוכנים.
- **חיתוך אגרסיבי או אלים או שימוש לא נכון במסור החשמלי עלול לגרום לבלאי מוקדם של המוט, השרשרת ו/או גלגל השיניים, וכמו כן לשבור את השרשרת או את המוט, דבר אשר יוביל לתגובה חזקה לאחור, זריקת שרשרת או זריקה של כלו חומר אחר.**
- **לעולם אין להשתמש במוט המנחה כדושה.** מוט מנחה עקום עלול לגרום לבלאי מוקדם של המוט, השרשרת ו/או גלגל השיניים, וכמו כן לשבור את השרשרת או את המוט, דבר אשר יוביל לתגובה חזקה לאחור, זריקת שרשרת או זריקה של כלו חומר אחר.

- **חתכו רק עצם עבודה אחד בכל פעם**
- **אל תטעינו את מארז הסוללה בתנאי גשם, או במקומות יבשים.**
- **תכננו את העבודה שלכם, וודאו שאזור העבודה נקי ממחסומים, במקרים של כריתה, יש לכם לפחות נתיב כריחה אחד מן העץ הנופל.**
- **בעת כריחה, שימרו על עוברי האורח במרחק של לפחות שני אורכי עץ.**
- **אם תיתקלו במצבים שאינם מתוארים במדריך זה, פעלו בזהירות ובעזרת שכל ישר. צרו קשר עם מחלקת שירות הלקוחות של EGO לעזרה.**

מוט מנחה

המסור מגיע מצויד במוט מנחה בעל קצה בקטור נמוך. לקצה בקטור נמוך יש בדרך כלל פוטנציאל נמוך יותר לפתח תגובה חזקה לאחור. בעת החלפת המוט המנחה, וודאו שאתם מזמינים מוט אחר הרשום במדריך זה. שימרו על הוראות אלו!

تحذيرات السلامة العامة المتعلقة بالآلة العاملة بالطاقة

⚠ تحذير: اقرأ جميع تحذيرات السلامة والتعليمات والرسوم التوضيحية والموصفات المرفقة مع هذه الآلة. عدم اتباع جميع التعليمات الواردة أدناه قد يؤدي إلى حدوث صدمة كهربائية أو نشوب حريق أو التعرض للإصابة، أدها أو جميعها.

احتفظ بجميع التحذيرات والتعليمات للرجوع إليها في المستقبل. يشير مصطلح "آلة عاملة بالطاقة" في التحذيرات إلى الآلة العاملة بالطاقة (الموصولة بسلك تيار) أو الآلة العاملة بالبطارية (غير الموصولة بسلك تيار).

سلامة منطقة العمل

- حافظ على منطقة العمل نظيفة ومضاءة جيدًا. حيث عادة ما تتسبب المناطق المظلمة أو التي بها ركاب إلى وقوع حوادث.
- لا تقم بتشغيل الآلات العاملة بالطاقة في أجواء قابلة للانفجار، على سبيل المثال في وجود سوائل أو غازات أو غاز قابلة للاشتعال. فقد تتسبب الآلات العاملة بالطاقة في صدور شرارة، والتي قد تتسبب في اشتعال الغبار أو الأبخرة القابلة للاشتعال.
- احتفظ بالأطفال والمشاهدين بعيدًا عن موقع استعمال الآلة العاملة بالطاقة. حيث أن الإلهاءات قد تجعلك تفقد السيطرة على الآلة.

السلامة الكهربائية

- ينبغي أن يتوافق قابس الآلة العاملة بالطاقة مع مقيس التيار. لا يجب إدخال تعديلات على القابس بأي حال من الأحوال. لا تستخدم أي قابس مهيأ مع الآلات العاملة بالطاقة الموزعة. ستؤدي القابس غير المعتلة والمقابس المتوافقة إلى الحد من خطر حدوث صدمة كهربائية.
- تجنب ملامسة الجسم لأسطح موزعة مثل الأتياب والمشعاع والموافد والثلاجات. هناك خطر متزايد لحدوث صدمة كهربائية إذا كان جسمك موزعًا.
- لا تقم بتعريض الآلات العاملة بالطاقة للمطر أو الأجواء الرطبة. حيث سيؤدي الماء الذي يدخل إلى الآلة العاملة بالطاقة إلى زيادة خطر حدوث صدمة كهربائية.
- لا تعيث بسلك التيار. لا تقم أبدًا باستخدام سلك التيار لحمل الآلة العاملة بالطاقة أو سحبها أو فصلها عن التيار. احتفظ بالسلك بعيدًا عن مصادر الحرارة أو الزيت أو الحواف الحادة أو الأجزاء المتحركة. تؤدي أسلاك التيار التالفة أو المتشابهة إلى زيادة خطر حدوث صدمة كهربائية.
- عند تشغيل آلة عاملة بالطاقة في مكان خارجي مفتوح، استخدم سلك تمديد ملائم للاستخدام الخارجي. استخدم سلك ملائم للاستخدام الخارجي بحد من خطر حدوث صدمة كهربائية.
- إذا كان لا بد من تشغيل الآلة في مكان رطب، فاستخدم مصدر تيار محمي بقاطع تيار موزع. يؤدي استخدام قاطع التيار الموزع إلى الحد من خطر حدوث صدمة كهربائية.

السلامة الشخصية

- ابق منتهيًا، وانتبه جيدًا لما تفعله، وكن عقلانيًا عند تشغيل آلة تعمل بالطاقة. لا تستخدم أي آلة عاملة بالطاقة وأنت مجهد أو تحت تأثير المخدرات أو الكحوليات أو الأدوية. قد تؤدي لحظة من عدم الانتباه أثناء تشغيل الآلات العاملة بالطاقة إلى حدوث إصابات شخصية خطيرة.

- استعن بمعدات الحماية الشخصية. وارتد دائمًا أدوات حماية للعينين. سيؤدي استخدام أدوات الحماية كتنافخ الغبار أو أذنية السلامة المضادة للازلاق أو القبعات الصلبة أو أدوات حماية السمع في ظروف مناسبة إلى الحماية من الإصابات الشخصية.
- امنع بدء تشغيل الآلة غير المتعمد. احرص على أن يكون مفتاح الطاقة في وضع الإيقاف قبل توصيل الآلة بمصدر التيار أو مجموعة البطاريات، أو التقاط الآلة أو حملها. قد يتسبب حمل الآلات العاملة بالطاقة وإصبعك على مفتاح التشغيل أو شحنها ومفتاح التشغيل على وضع التشغيل في وقوع حوادث.
- أزل أي مفتاح تعديل أو مفتاح ربط قبل تشغيل الآلة العاملة بالطاقة. قد يؤدي ترك مفتاح ربط أو مفتاح عادي مركبًا على جزء دوار بالآلة العاملة بالطاقة إلى وقوع إصابات شخصية. لا تقف في مكان تضطر لمد يديك بعيدًا. قف وأنت ثابت ومتوازن في جميع الأوقات. وهو ما يسمح بحكم أفضل في الآلة العاملة بالطاقة في الظروف غير المتوقعة.
- ارتد الملابس الملائمة. لا ترتد ملابس أو مجوهرات غير ثابتة. احتفظ بشعرك وملابسك وقفازاتك بعيدًا عن الأجزاء المتحركة. قد تعلق الملابس الفضفاضة أو المجوهرات أو الشعر الطويل في الأجزاء المتحركة.
- إذا تم تقديم أجهزة خاصة بتوصيل أدوات استخراج وجمع الغبار، فأحرص على توصيلها واستخدامها على النحو اللازم. قد يؤدي استخدام أجهزة الغبار إلى الحد من المخاطر المرتبطة به.

- لا تدع الخبرة المكتسبة من الاستخدام المتكرر للآلات يجعلك تتعامل دون الانتباه اللازم وتتجاهل مبادئ السلامة المتعلقة بالآلة. فقد يتسبب أي إجراء غير مدروس في إصابات خطيرة في جزء من الثانية.

استخدام الآلة العاملة بالطاقة والعناية بها

- لا تجرب الآلة العاملة بالطاقة على أعمال تفوق قدرتها. استخدم الآلة العاملة بالطاقة الملائمة لأعمالك. ستقوم الآلة العاملة بالطاقة الملائمة بإداء أعمالك بشكل أفضل وأكثر أمانًا بالمعدل الذي أعدت له.
- لا تستخدم الآلة العاملة بالطاقة إذا كان مفتاح التشغيل لا يمكن نقله إلى وضع التشغيل أو وضع الإيقاف. أي آلة عاملة بالطاقة لا يمكن التحكم فيها بمفتاح التشغيل تعتبر خطيرة وينبغي إصلاحها.
- أفضل القابس من مصدر التيار أو مجموعة البطاريات عن الآلة العاملة بالطاقة قبل إجراء أي تعديلات أو تغيير ملحقات أو تخزين الآلات العاملة بالطاقة. إجراءات السلامة الوقائية هذه تحد من خطر تشغيل الآلة العاملة بالطاقة بشكل خاطئ.
- حذرن الآلات العاملة بالطاقة غير المستخدمة بعيدًا عن متناول أيدي الأطفال ولا تسمح للأشخاص غير المعتادين على استخدام الآلات العاملة بالطاقة أو على هذه التعليمات بتشغيل الآلة. الآلات العاملة بالطاقة تكون خطيرة في أيدي الأشخاص غير المدربين.
- حافظ على الآلات العاملة بالطاقة والملحقات. تحقق من عدم مهاداة الأجزاء المتحركة أو ربطها، أو وجود كسور في الأجزاء، أو أي حالة أخرى قد تؤثر على عمل الآلة. إذا كان هناك تلف، فقم بإصلاح الآلة العاملة بالطاقة قبل استخدامها. فأنعدي من الحوادث يكون سببها الآلات التي لم تتم صيانتها.
- احتفظ بالأدوات القاطعة حادة ونظيفة. الأدوات القاطعة التي تتم صيانتها كما ينبغي للاحتفاظ بحوافها القاطعة حادة تكون أقل عرضة للانحساء وسهل التحكم فيها.

- أمسك المنشار دائماً بيدك اليمنى على المقبض الخلفي وبيد اليسرى على المقبض الأمامي. لأن إمساك المنشار بوضع مخالف قد يؤدي إلى خطر التعرض لإصابة شخصية، ولهذا لا ينبغي فعله أبداً.
 - أمسك بالمنشار السلسلي من أسطح الإمساك المعزولة فقط، لأنه قد يلحق بأسلاك مخفية. المناشير التي تلامس سلكاً "يمر به تيار" قد يجعل الأجزاء المعدنية من المنشار "يمر بها تيار"، وهو ما قد يتسبب في تعرض المستخدم لصدمة كهربائية.
 - ارتد أدوات حماية للعينين. كما أنّ من الموصى به ارتداء تجهيزات حماية للأذنين والرأس واليدين والساقين والقدمين. فإذونات الحماية الملائمة ستقلل من مخاطر الإصابات الشخصية الناتجة عن البقايا المتطايرة أو التلامس غير المقصود مع المنشار.
 - لا تقم بتشغيل المنشار السلسلي وأنت على شجرة أو سلم أو سطح منزل، أو وأنت تقف على أي دعامة غير ثابتة. لأن تشغيل المنشار بهذه الطريقة قد يؤدي لوقوع إصابات شخصية خطيرة.
 - اهتم دائماً بالوقوف على أرضية ملائمة، ولا تقم بتشغيل المنشار السلسلي إلا على أرضية ثابتة آمنة مستوية. لأن الأسطح المنزلة أو غير الثابتة مثل السلالم قد تؤدي إلى فقد التوازن أو عدم التحكم في المنشار.
 - عند قطع عُصن مشدود، حاذر من ارتداده. لأنه عند تحرر الشد الموجود في الألياف الخشبية، فإن العُصن المرتد قد يصدم المستخدم و/أو يُخرج المنشار عن السيطرة.
 - احذر بشدة عند قطع الأغصان والشجيرات. لأن الأجزاء الصغيرة قد تتعثر داخل المنشار، ثم تنطلق ناحيتك أو تخرجك عن توازنك.
 - احمل المنشار السلسلي من المقبض الأمامي وهو مغطى وأن يكون بعيداً عن جسمك. عند نقل أو تخزين المنشار السلسلي، احرص دائماً على وضع غطاء قضيب التوجيه. سيؤدي التعامل السليم مع المنشار إلى تقليل فرص حدوث تلامس غير مقصود مع الأجزاء المتحركة من المنشار.
 - اتبع تعليمات التزييت وشد السلسلة وتغيير الملحقات. السلسلة غير المقصودة أو غير المُشحمة بشكل ملائم قد تنكسر أو تزيد من فرص ارتداد المنشار.
 - احتفظ بالمقابض جافة، نظيفة، خالية من الزيوت والشحوم. لأن المقابض التي عليها شحم أو زيت تكون منزلقة، وهو ما يؤدي إلى فقد السيطرة.
 - لا تستخدم المنشار إلا لقطع الخشب فقط. لا تستخدم المنشار لغير الأغراض المعد لها. على سبيل المثال: لا تستخدم المنشار لقطع البلاستيك أو الطوب أو مواد البناء غير الخشبية. استخدام المنشار السلسلي لتنفيذ أعمال مخالفة لتلك المعد لها قد يؤدي إلى التعرض لمواقف خطيرة.
 - لا تحاول إسقاط شجرة إلا بعد التأكد من فهمك للمخاطر وكيفية تجنبها. قد تقع إصابات خطيرة للمشغل أو المراقفين عند إسقاط شجرة.
- أسباب رد الفعل الارتدادي وكيفية منع حدوثه مع المستخدم**
- قد يحدث ارتداد من المنشار عند ملامسة حافة أو طرف قضيب التوجيه لغرض ماء، أو عند انحسار الخشب في المنشار أثناء القطع (الشكل A).
- قد تؤدي ملامسة الحافة في بعض الحالات إلى ردة فعل مفاجئة، وهو ما يجعل قضيب التوجيه يتذبذب للأمام وللخلف تجاه المستخدم (الشكل B).

انحسار المنشار على طول قمة قضيب التوجيه قد يتسبب في ارتداد قضيب التوجيه بسرعة للخلف ناحية المستخدم (الشكل C). كلا رذّي الفعل هذين قد يتسببان في فقد السيطرة على المنشار، وهو ما قد يؤدي إلى التعرض لإصابات شخصية خطيرة. لا تعتمد بشكل حصري على وسائل الأمان المدمجة في المنشار. بصفتك مستخدم لمنشار سلسلي، ينبغي عليك أخذ عدة خطوات للوراء للتأكد من عدم وجود ما يعوق مهام القطع ومنع الحوادث والإصابات. ارتداد المنشار ينتج عن سوء استخدام الآلة و/أو إجراءات أو ظروف التشغيل غير الصحيحة، وهو ما يمكن تجنبه عن طريق اتباع الاحتياطات الملائمة على النحو الموضح أدناه:

- **امسك بالمنشار جيداً، بحيث تحيط أصابع الإبهام والأصابع الأخرى بمقابض المنشار السلسلي، وبحيث تكون اليدين ممسكتين بالمنشار، وجسمك وذراعك في وضع يتيح لك مقاومة الارتدادات (الشكل D).** يمكن التحكم في الارتدادات من قبل المستخدم، وذلك عند اتخاذه للتدابير الملائمة. لا تترك المنشار ينفلت من يدك.
- **لا تحاول الوصول لآمان بعيدة عن متناول يديك، ولا تقطع أي شيء أعلى من مستوى ارتفاع كتفك.** هذا يساعد في منع الملابس غير المقصودة للحافة، كما يمكنك تحكماً أفضل في المنشار في الحالات غير المتوقعة.
- **لا تستخدم أي قضبان أو سلاسل بديلة غير تلك المحددة بواسطة الشركة الصانعة.** لأنّ القضبان والسلاسل البديلة غير الصحيحة قد تتسبب في انكسار السلسلة و/أو ارتداد المنشار أثناء التشغيل.
- **اتبع تعليمات الشركة الصانعة الخاصة بشحن المنشار السلسلي وصيانته.** تقليل طول مقياس العمق قد يؤدي إلى زيادة احتمالية حدوث ارتداد للمنشار.
- **تأكد من خلو المنطقة التي ستقوم بالقطع فيها من أي عوائق.** لا تسمح بملامسة طرف قضيب التوجيه لزند أو فرع شجر أو سياج أو أي عوائق أخرى قد ترتطم بها أثناء تشغيل المنشار.
- **يكون القطع دائماً والوحدة تعمل بسرعتها الكاملة.** اعصر مفتاح السرعة الزنبركي بالكامل وحافظ على سرعة القطع.
- **مع الفهم الأساسي لرد الفعل الارتدادي، يمكنك تقليل عنصر المفاجأة أو التخلص منه تماماً.** لأن عناصر المفاجأة تساهم في وقوع الحوادث.
- **قف وأنت ثابت ومتوازن في جميع الأوقات.**
- **الدفع والسحب – دائماً ما تكون قوة رد الفعل في الاتجاه المعاكس لاتجاه حركة السلسلة حيث تتلامس مع الخشب. ومن ثم، يجب على مشغل الآلة أن يكون جاهزاً للتحكم في قوة السحب أثناء قطع الحافة السفلية للقضيب، وقوة الدفع أثناء القطع عبر الحافة العلوية (الشكل E).**

تجهيزات السلامة ضد رد الفعل الارتدادي بهذا المنشار السلسلي

فرملة السلسلة
تم تجهيز هذا المنشار السلسلي بفرملة للسلسلة، والتي تقوم بإيقاف كلاً من المحرك وحركة السلسلة عند حدوث رد فعل ارتدادي. يمكن تفعيل فرملة السلسلة عن طريق حركة مقبض فرملة رد الفعل الارتدادي للسلسلة للأمام بينما يدور المنشار للخلف أثناء رد الفعل الارتدادي؛ كما يمكن تفعيلها عن طريق قوى العصور الذاتي المتولدة أثناء الارتداد السريع للخلف.

⚠ **تحذير:** لا تقم أبداً بتعديل فرملة السلسلة أو محاولة تعطلها. تأكد من عمل فرملة السلسلة بالشكل الصحيح قبل استخدام المنشار

السلسلي. يجب أن يتحرك مقبض فرملة رد الفعل الارتدادي للسلسلة للخلف وللأمام بسهولة.

- **لاختيار تشغيل فرملة السلسلة، نفذ الخطوات التالية (الشكل F):**
- **ضع المنشار السلسلي على سطح مستو خال من أي شيء، وتأكد من عدم وجود أي أشياء أو معوقات قد تتلامس مع القضيب وأن السلسلة في النطاق المجاور مباشرة.**
- **افصل تشغيل فرملة السلسلة عن طريق سحب مقبض فرملة رد الفعل الارتدادي للسلسلة ناحية المقبض الأمامي.**
- **ابدأ تشغيل المنشار السلسلي.**
- **ادفع مقبض فرملة رد الفعل الارتدادي للسلسلة ناحية الجانب الأمامي للمنشار.** ستقوم الفرملة اليدوية التي تعمل بشكل ملائم بإيقاف حركة السلسلة على الفور. إذا كانت فرملة السلسلة لا تعمل كما ينبغي، لا تستخدم المنشار السلسلي إلا بعد إصلاحه من قبل فني صيانة مؤهل.

F-1	مقبض فرملة رد الفعل الارتدادي للسلسلة في وضع التشغيل
F-2	مقبض فرملة رد الفعل الارتدادي للسلسلة في وضع الفرملة

⚠ **تحذير:** تأكد من عمل فرملة السلسلة كما ينبغي قبل كل استخدام.

⚠ **تحذير:** إذا كانت هناك رقاقات خشبية تعيق فرملة السلسلة، فقد يتدهور أداء فرملة السلسلة. حافظ دائماً على نظافة الجهاز.

رد الفعل الارتدادي المنخفض لسلسلة المنشار

يمكن للمجامع (مقاييس العمق) أمام كل قاطع أن تقلل من قوة رد الفعل الارتدادي عن طريق منع القواطع من الحفر بشكل عميق للغاية في منطقة رد الفعل الارتدادي. لا تستخدم إلا سلسلة مكافئة للسلسلة الأصلية أو بسلسلة معتمدة.

⚠ **تنبيه:** حيث أن سلاسل المنشار يتم شحنها أثناء فترة استخدامها، فإنها تفقد بعضاً من قدرتها على رد الفعل الارتدادي المنخفض، ويجب اتخاذ الحذر الزائد أثناء التعامل معها.

تحذيرات إضافية

- **المنشار السلسلي معد لاستخدامه بكتلتا يديك.** لأن استخدامه بيد واحد قد يتسبب في وقوع إصابات خطيرة لمشغل الآلة أو مساعديه أو المراقبين له.
- **تجنب التلامس غير المقصود مع سلسلة المنشار غير المتحركة أو حواجز قضيب التوجيه.** لأنها قد تكون حادة للغاية. احرص دائماً على ارتداء قفازات وبنطال طويل أو أحذية برفيعة عند التعامل مع المنشار السلسلي، أو سلسلة المنشار، أو قضيب التوجيه.
- **لا تقم أبداً بتشغيل المنشار السلسلي وهو تالف أو غير مضبوط كما ينبغي، أو إذا تم تجميعه بشكل غير كامل أو غير آمن.**
- **تأكد من توقف سلسلة المنشار عن الحركة بعد رفع الإصبع عن المفتاح الزنبركي.**
- **افحص القطعة المراد قطعها بحثاً عن أي مسامير أو أسلاك أو أي أشياء غريبة أخرى قبل القطع.**
- **أثناء تقطيع الزند، قم بتأمين القطعة قبل قطعها. أثناء إسقاط الأشجار أو التقليم، قم بتحديد فروع الشجر الخطيرة وأمتنها.**

- **القطع العنيف أو الجائر، أو سوء استخدام المنشار السلسلي** قد يؤدي إلى التهاك المبكر للقضيب أو السلسلة أو الترس، وكذا فإن انكسار السلسلة أو القضيب قد يؤدي إلى رد الفعل الارتدادي، أو خلع السلسلة، أو تطاير الأشياء من المنشار.
- **لا تقم أبداً باستخدام قضيب التوجيه كذراع.** قضيب التوجيه المثني قد يؤدي إلى التهاك المبكر للقضيب أو السلسلة أو الترس، وكذا فإن انكسار السلسلة أو القضيب قد يؤدي إلى رد الفعل الارتدادي، أو خلع السلسلة، أو تطاير الأشياء من المنشار.
- **اقطع قطعة واحدة في كل مرة.**
- **لا تشحن مجموعة البطارية في المطر أو في الأماكن الرطبة.**
- **ضع مخططاً للعمل، بحيث تضمن خلو منطقة العمل من العوائق، وفي حالة إسقاط الأشجار، حدد لنفسك طريق هروب واحد على الأقل بعيداً عن الشجرة الساقطة.**
- **عند إسقاط الأشجار، اجعل المرافقين على مسافة لا تقل عن طول شجرتين ساقطتين.**
- **إذا حدثت حالات غير مذكورة في هذا الدليل، توخ الحذر واتخذ قرارات حكيمة. تواصل مع قسم خدمة العملاء بشركة EGO طلباً للدعم.**

قضيب التوجيه

تم تجهيز هذا المنشار بقضيب توجيه له طرف نصف قطري صغير. الأطراف النصف قطرية الصغيرة عادة ما تكون احتمالية حدوث رد فعل ارتدادي لها أقل. عند استبدال قضيب التوجيه، احرص على طلب القضيب المدرج في هذا الدليل.

احفظ هذه التعليمات!

